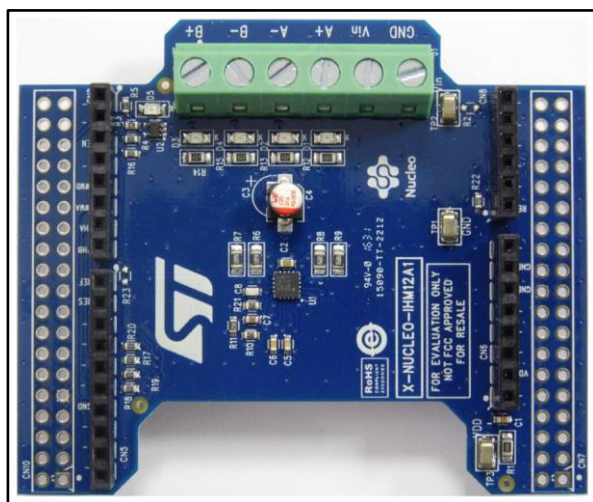


Low voltage dual brush DC motor driver expansion board based on STSPIN240 for STM32 Nucleo

Data brief



Description

The X-NUCLEO-IHM12A1 is a low voltage dual brush DC motor driver expansion board based on the STSPIN240 for STM32 Nucleo.

It provides an affordable and easy-to-use solution for the implementation of portable motor driving applications such as thermal printers, robotics and toys.

Thanks to its programmable current limiter and complete set of protection features, it offers high levels of performance and robustness.

The X-NUCLEO-IHM12A1 is compatible with the Arduino UNO R3 connector and most STM32 Nucleo boards.

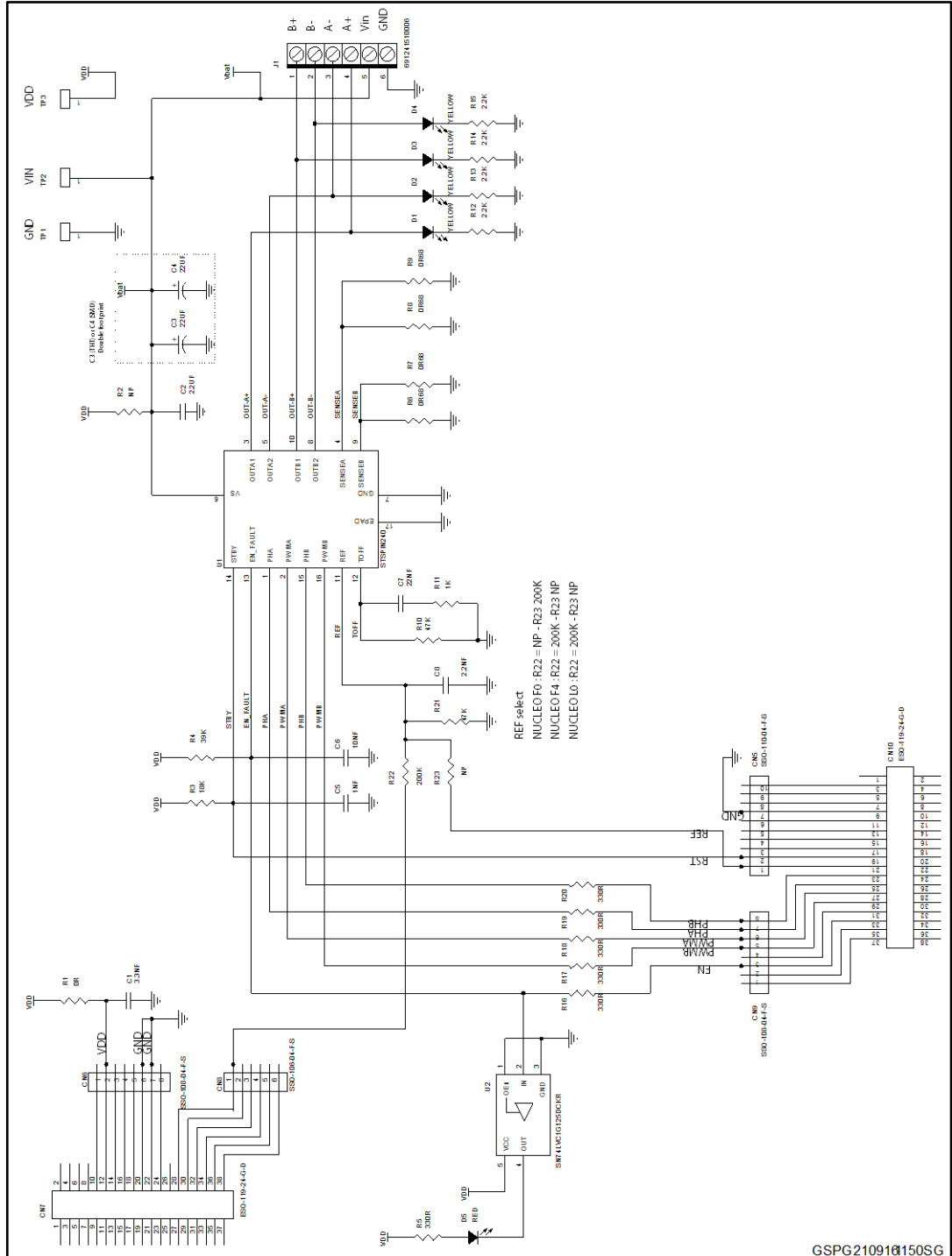
Features

- Low voltage range from 1.8 V to 10 V
- Current up to 1.3 A r.m.s
- Current control with adjustable off-time
- Full protection overcurrent and short-circuit protection
- Low $R_{DS(ON)}$ power stage (HS + LS = 0.4 Ω typ.)
- Thermal shutdown
- Compatible with Arduino UNO R3 connector
- Compatible with STM32 Nucleo boards
- Connection for two independent DC motors
- RoHS compliant



1 Schematic diagram

Figure 1: X-NUCLEO-IHM12A1 circuit schematic



2 Revision history

Table 1: Document revision history

Date	Version	Changes
27-Sep-2016	1	Initial release.

IMPORTANT NOTICE – PLEASE READ CAREFULLY

STMicroelectronics NV and its subsidiaries ("ST") reserve the right to make changes, corrections, enhancements, modifications, and improvements to ST products and/or to this document at any time without notice. Purchasers should obtain the latest relevant information on ST products before placing orders. ST products are sold pursuant to ST's terms and conditions of sale in place at the time of order acknowledgement.

Purchasers are solely responsible for the choice, selection, and use of ST products and ST assumes no liability for application assistance or the design of Purchasers' products.

No license, express or implied, to any intellectual property right is granted by ST herein.

Resale of ST products with provisions different from the information set forth herein shall void any warranty granted by ST for such product.

ST and the ST logo are trademarks of ST. All other product or service names are the property of their respective owners.

Information in this document supersedes and replaces information previously supplied in any prior versions of this document.

© 2016 STMicroelectronics – All rights reserved