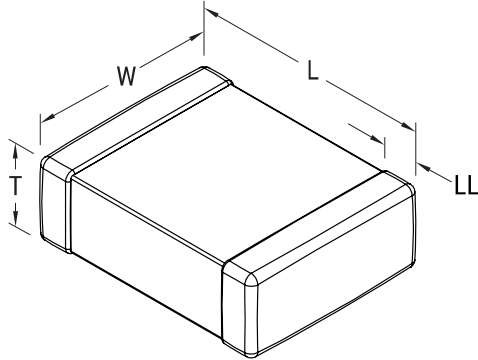


KEMET, L-SWS, RF, 68 uH, 5%



Dimensions

Chip Size	0806
L	2mm +/-0.2mm
W	1.6mm +/-0.2mm
T	1.6mm +/-0.2mm
LL	0.5mm +/-0.2mm

Packaging Specifications

Packaging:	T&R
Packaging Quantity:	2000

General Information

Series:	L-SWS
Style:	SMD Chip
RoHS:	Yes

Specifications

Inductance:	68 uH (2.52 MHz)
Inductance Tolerance:	5%
Current:	90 mAmps (MAX)
DC Resistance:	7 Ohms
Self-Resonant Frequency:	11 MHz MIN