



TSH110-TSH111-TSH112-TSH113-TSH114

Wide band low noise operational amplifiers

Features

- Low noise: $3\text{nV}/\sqrt{\text{Hz}}$
- Low supply current: 3.2mA
- 47mA output current
- Bandwidth: 100MHz
- 5V to 12V supply voltage
- Slew rate: $450\text{V}/\mu\text{s}$
- Specified for 100Ω load
- Very low distortion
- Tiny SOT23-5, TSSOP and SO packages

Applications

- High-end video drivers
- Receiver for xDSL
- A/D converter driver
- High-end audio applications

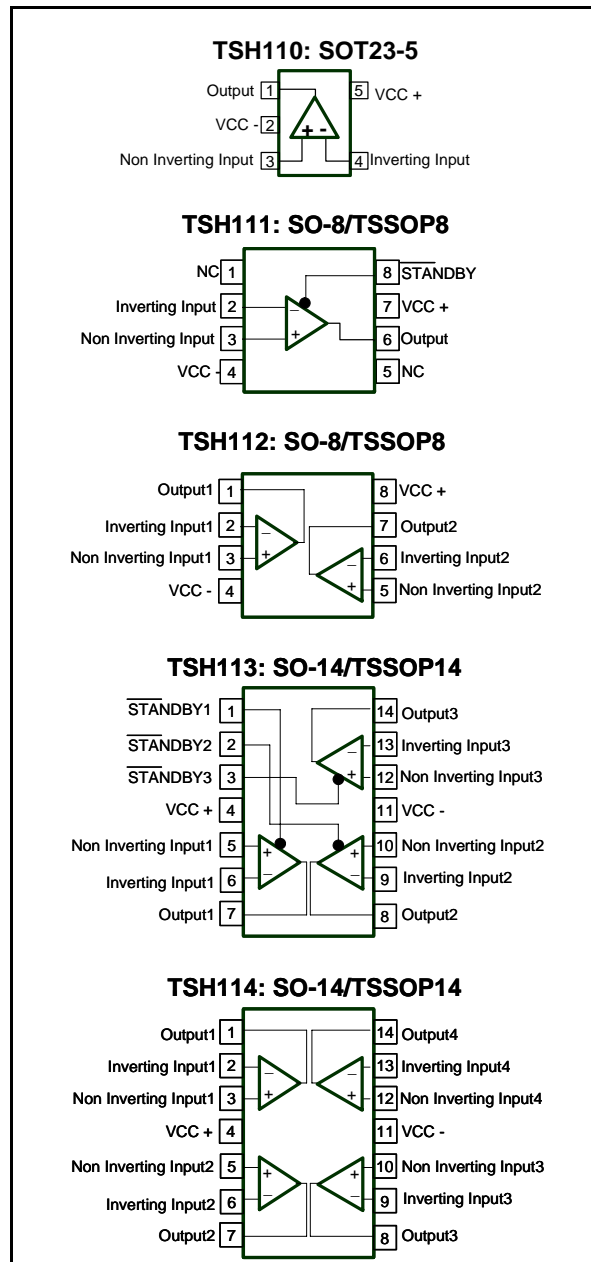
Description

The single TSH110 and TSH111, the dual TSH112, the triple TSH113 and the quad TSH114 are current feedback operational amplifiers featuring a very high slew rate of $450\text{V}/\mu\text{s}$ and a large bandwidth of 100MHz , with only a 3.2mA quiescent supply current. The TSH111 and TSH113 feature a Standby function for each operator. This function is a power-down mode with a high output impedance.

These devices operate from $\pm 2.5\text{V}$ to $\pm 6\text{V}$ dual supply voltage or from 5V to 12V single supply voltage. They are able to drive a 100Ω load with a swing of 9V minimum (for a 12V power supply).

The harmonic and intermodulation distortions of these devices are very low, making this circuit a good choice for applications requiring wide bandwidth with multiple carriers.

For board space and weight saving, the TSH110 comes in miniature SOT23-5 package.



The TSH111 comes in SO-8 and TSSOP8 packages, the TSH112 comes in SO-8 and TSSOP8 packages, the TSH113 and TSH114 come in SO-14 and TSSOP14 packages.

1 Absolute maximum ratings and operating conditions

Table 1. Absolute maximum ratings (AMR)

| Symbol | Parameter | Value | Unit |
|------------|----------------------------------------------|-------------|------|
| V_{CC} | Supply voltage ⁽¹⁾ | 14 | V |
| V_{id} | Differential input voltage ⁽²⁾ | ±1 | V |
| V_i | Input voltage ⁽³⁾ | ±6 | V |
| T_{oper} | Operating free air temperature range | -40 to +85 | °C |
| T_{stg} | Storage temperature | -65 to +150 | °C |
| T_j | Maximum junction temperature | 150 | °C |
| R_{thjc} | Thermal resistance junction to case | | |
| | SOT23-5 | 80 | °C/W |
| | SO-8 | 28 | |
| | SO-14 | 22 | |
| | TSSOP8 | 37 | |
| TSSOP14 | 32 | | |
| R_{thja} | Thermal resistance junction to ambient area | | |
| | SOT23-5 | 250 | °C/W |
| | SO-8 | 157 | |
| | SO-14 | 125 | |
| | TSSOP8 | 130 | |
| TSSOP14 | 110 | | |
| ESD | HBM: human body model ⁽⁴⁾ | 2.0 | kV |
| | MM: machine model ⁽⁵⁾ | 0.2 | |
| | CDM: charged device model ⁽⁶⁾ | 1.5 | |
| | Output short circuit duration ⁽⁷⁾ | | |

1. All voltage values, except differential voltage, are with respect to network ground terminal.
2. Differential voltages are the non-inverting input terminal with respect to the inverting terminal.
3. The magnitude of input and output voltages must never exceed $V_{CC} + 0.3V$
4. Human body model: A 100pF capacitor is charged to the specified voltage, then discharged through a 1.5kΩ resistor between two pins of the device. This is done for all couples of connected pin combinations while the other pins are floating.
5. Machine model: A 200pF capacitor is charged to the specified voltage, then discharged directly between two pins of the device with no external series resistor (internal resistor < 5Ω). This is done for all couples of connected pin combinations while the other pins are floating.
6. Charged device model: all pins and the package are charged together to the specified voltage and then discharged directly to the ground through only one pin. This is done for all pins.
7. Short-circuits can cause excessive heating and can result in destructive dissipation.

Table 2. Operating conditions

| Symbol | Parameter | Value | Unit |
|-----------|---------------------------------|--------------------------------------|------|
| V_{CC} | Supply voltage | 5 to 12 | V |
| V_{icm} | Common mode input voltage range | $V_{CC}^- + 1.5$ to $V_{CC}^+ - 1.5$ | V |

2 Electrical characteristics

Table 3. Dual supply voltage, $V_{CC} = \pm 2.5V$, $R_{fb}^{(1)} = 680\Omega$, $T_{amb} = 25^\circ C$ (unless otherwise specified)

| Symbol | Parameter | Test conditions | Min. | Typ. | Max. | Unit |
|-------------------------------------------------------|---------------------------------------------------------------------|-----------------------------------------------------------------------|------|------|------|------------------|
| DC performance | | | | | | |
| V_{io} | Input offset voltage | T_{amb} | -1.5 | 0.3 | 2.0 | mV |
| | | $T_{min} < T_{amb} < T_{max}$ | | 1 | | mV |
| ΔV_{io} | Input offset voltage drift vs. temperature | $T_{min} < T_{amb} < T_{max}$ | | 5 | | $\mu V/^\circ C$ |
| I_{ib+} | Non inverting input bias current | T_{amb} | -10 | 1.4 | 13 | μA |
| | | $T_{min} < T_{amb} < T_{max}$ | | 2.5 | | μA |
| I_{ib-} | Inverting input bias current | T_{amb} | -3 | 1.9 | 7 | μA |
| | | $T_{min} < T_{amb} < T_{max}$ | | 2.5 | | μA |
| R_{OL} | Transimpedance | $R_L = 100\Omega$ | 500 | 750 | | $k\Omega$ |
| I_{CC} | Supply current per operator | T_{amb} | | 3.2 | 4 | mA |
| | | $T_{min} < T_{amb} < T_{max}$ | | 3.5 | | mA |
| CMR | Common mode rejection ratio ($\Delta V_{ic}/\Delta V_{io}$) | | 56 | 60 | | dB |
| SVR | Supply voltage rejection ratio ($\Delta V_{CC}/\Delta V_{io}$) | | 70 | 80 | | dB |
| PSR | Power supply rejection ratio ($\Delta V_{CC}/\Delta V_{out}$) | Gain=1, $R_{load}=3.9k\Omega$ | | 48 | | dB |
| Dynamic performance and output characteristics | | | | | | |
| V_{oh} | High level output voltage | T_{amb} $R_L = 100\Omega$ | 1.4 | 2 | | V |
| | | $T_{min} < T_{amb} < T_{max}$ $R_L = 100\Omega$ GND | | 1.9 | | V |
| V_{ol} | Low level output voltage | T_{amb} $R_L = 100\Omega$ | | -1.8 | -1.3 | V |
| | | $T_{min} < T_{amb} < T_{max}$ $R_L = 100\Omega$ | | -1.7 | | V |
| $ I_{sink} $ | Output sink current | $T_{min} < T_{amb} < T_{max}$ | | 20 | | mA |
| I_{source} | Output source current | $T_{min} < T_{amb} < T_{max}$ | | 18 | | mA |
| BW | -3dB bandwidth | $V_{out}=1V_{pk}$, $R_{fb}^{(1)}=820\Omega/2pF$ Load=100 Ω | | | | |
| | | $A_{VCL}=+2$ | | 81 | | MHz |
| SR | Slew rate | $A_{VCL}=+2$, 2V step Load=100 Ω | 160 | 230 | | V/ μs |

Table 3. Dual supply voltage, $V_{CC} = \pm 2.5V$, $R_{fb}^{(1)} = 680\Omega$, $T_{amb} = 25^\circ C$ (unless otherwise specified) (continued)

| Symbol | Parameter | Test conditions | Min. | Typ. | Max. | Unit |
|---------------------------------------|--------------------------------------|-------------------------------------------------------------------------------------|------|------|------|-----------------|
| T_r | Rise time | for 200mV step $A_{VCL}=+2$, $R_{fb}^{(1)}=820\Omega//2pF$ Load=100 Ω | | 9 | | ns |
| T_f | Fall time | | | 9 | | ns |
| Ov | Overshoot | | | 16 | | % |
| St | Settling time @ 0.05% | | | 60 | | ns |
| ΔG | Differential gain | $A_{VCL}=+2$, $R_L=100\Omega$ | | 0.05 | | % |
| $\Delta\phi$ | Differential phase | $F=4.5MHz$, $V_{out}=1V_{peak}$ | | 0.05 | | ° |
| Noise and harmonic performance | | | | | | |
| en | Equivalent input voltage noise | Frequency : 1MHz | | 3 | | nV/ \sqrt{Hz} |
| in | Equivalent input current noise | | | 8.5 | | pA/ \sqrt{Hz} |
| THD | Total harmonic distortion | $A_{VCL}=+2$, $F=2MHz$ $R_L=100\Omega$ $V_{out}=2V_{peak}$ | | 64.4 | | dB |
| IM3 | Third order inter modulation product | $A_{VCL}=+2$, $V_{out}=2V_{pp}$ $R_L=100\Omega$ $F1=1MHz$, $F2=1.1MHz$ | | | | dBc |
| | | @900kHz | | 90 | | |
| | | @1.2MHz | | 90 | | |
| | | @3.1MHz | | 86 | | |
| | | @3.2MHz | | 83 | | |
| Matching characteristics | | | | | | |
| Gf | Gain flatness | $F=(DC)$ to 6MHz $A_{VCL}=+2$, $V_{out}=2V_{pp}$ | | 0.1 | | dB |
| Vo1/Vo2 | Channel separation | $F=1MHz$ to 10MHz | | 65 | | dB |

1. R_{fb} is the feedback resistance between the output and the inverting input of the amplifier.

Table 4. Dual supply voltage, $V_{CC}=\pm 6V$, $R_{fb}^{(1)}=680\Omega$, $T_{amb}=25^{\circ}C$ (unless otherwise specified)

| Symbol | Parameter | Test conditions | Min. | Typ. | Max. | Unit |
|-------------------------------------------------------|---------------------------------------------------------------------|------------------------------------------------------------------------------------|------|------|------|-------------------|
| DC performance | | | | | | |
| V_{io} | Input offset voltage | T_{amb} | -1.0 | 0.9 | 3.0 | mV |
| | | $T_{min} < T_{amb} < T_{max}$ | | 1.3 | | mV |
| ΔV_{io} | Input offset voltage drift vs temperature | $T_{min} < T_{amb} < T_{max}$ | | 5 | | $\mu V/^{\circ}C$ |
| I_{ib+} | Non inverting input bias current | T_{amb} | -12 | 1 | 14 | μA |
| | | $T_{min} < T_{amb} < T_{max}$ | | 1.7 | | μA |
| I_{ib-} | Inverting input bias current | T_{amb} | -4 | 3 | 10 | μA |
| | | $T_{min} < T_{amb} < T_{max}$ | | 3.4 | | μA |
| R_{OL} | Transimpedance | $R_L=100\Omega$ | 600 | 900 | | k Ω |
| I_{CC} | Supply current per operator | T_{amb} | | 4 | 5 | mA |
| | | $T_{min} < T_{amb} < T_{max}$ | | 4.1 | | mA |
| CMR | Common mode rejection ratio ($\Delta V_{io}/\Delta V_{io}$) | | 58 | 63 | | dB |
| SVR | Supply voltage rejection ratio ($\Delta V_{CC}/\Delta V_{io}$) | | 72 | 80 | | dB |
| PSR | Power supply rejection ratio ($\Delta V_{CC}/\Delta V_{out}$) | Gain=1, $R_{load}=3.9k\Omega$ | | 49 | | dB |
| Dynamic performance and output characteristics | | | | | | |
| V_{oh} | High level output voltage | T_{amb} $R_L = 100\Omega$ | 4.5 | 4.7 | | V |
| | | $T_{min} < T_{amb} < T_{max}$ $R_L = 100\Omega$ | | 4.6 | | V |
| V_{ol} | Low level output voltage | T_{amb} $R_L = 100\Omega$ | | -4.7 | -4.3 | V |
| | | $T_{min} < T_{amb} < T_{max}$ $R_L = 100\Omega$ | | -4.6 | | V |
| $ I_{sink} $ | Output sink current | $T_{min} < T_{amb} < T_{max}$ | | 47 | | mA |
| I_{source} | Output source current | $T_{min} < T_{amb} < T_{max}$ | | 46 | | mA |
| Bw | -3dB bandwidth | $V_{out}=1V_{pk}$, $R_{fb}^{(1)}=680\Omega/2pF$ Load=100 Ω | | | | |
| | | $A_{VCL}=+2$ | | 100 | | MHz |
| SR | Slew rate | $A_{VCL}=+2$, 6V step Load=100 Ω | 240 | 450 | | V/ μs |
| T_r | Rise time | for 200mV step $A_{VCL}=+2$, $R_{fb}^{(1)}=680\Omega/2pF$ Load=100 Ω | | 10.4 | | ns |
| T_f | Fall time | | | 12.2 | | ns |
| Ov | Overshoot | | | 17 | | % |
| St | Settling time @ 0.05% | | | 40 | | ns |

Table 4. Dual supply voltage, $V_{CC}=\pm 6V$, $R_{fb}^{(1)}=680\Omega$, $T_{amb}=25^{\circ}C$ (unless otherwise specified)

| Symbol | Parameter | Test conditions | Min. | Typ. | Max. | Unit |
|---------------------------------------|--------------------------------------|--------------------------------------------------------------------------------|------|------|------|-----------------|
| ΔG | Differential gain | $A_{VCL}=+2$, $R_L=100\Omega$ $F=4.5MHz$, $V_{out}=2V_{peak}$ | | 0.05 | | % |
| $\Delta\phi$ | Differential phase | | | 0.05 | | ° |
| Noise and harmonic performance | | | | | | |
| en | Equivalent input voltage noise | Frequency : 1MHz | | 3 | | nV/ \sqrt{Hz} |
| in | Equivalent input current noise | | | 8.6 | | pA/ \sqrt{Hz} |
| THD | Total harmonic distortion | $A_{VCL}=+2$, $F=2MHz$ $R_L=100\Omega$ $V_{out}=4V_{pp}$ | | 67.7 | | dB |
| IM3 | Third order inter modulation product | $A_{VCL}=+2$, $V_{out}=4V_{pp}$ $R_L=100\Omega$ $F1=1MHz$, $F2=1.1MHz$ | | | | dBc |
| | | @900kHz | | 82 | | |
| | | @1.2MHz | | 84 | | |
| | | @3.1MHz | | 77 | | |
| | | @3.2MHz | | 73 | | |
| Matching characteristics | | | | | | |
| Gf | Gain flatness | $F=(DC)$ to 6MHz $A_{VCL}=+2$, $V_{out}=4V_{pp}$ | | 0.1 | | dB |
| Vo1/Vo2 | Channel separation | $F=1MHz$ to 10MHz | | 65 | | dB |

1. R_{fb} is the feedback resistance between the output and the inverting input of the amplifier.

3 Standby mode

Table 5. $T_{amb} = 25^{\circ}C$ (unless otherwise specified), $V_{CC} = \pm 6V$

| Symbol | Parameter | Test conditions | Min. | Typ. | Max. | Unit |
|---------------|--------------------------------------------------|---------------------------------|--------------------|----------|----------------------|----------------------|
| V_{low} | Standby low level | | V_{CC}^{-} | | $(V_{CC}^{-} + 0.8)$ | V |
| V_{high} | Standby high level | | $(V_{CC}^{-} + 2)$ | | (V_{CC}^{+}) | V |
| $I_{CC-STBY}$ | Current consumption per operator in Standby mode | | | 26 | 40 | μA |
| I_{sol} | Input/output isolation | F=1MHz | | -90 | | dB |
| Z_{out} | Output impedance ($R_{out} // C_{out}$) | R_{out} C_{out} | | 31 25 | | $M\Omega$ μF |
| T_{on} | Time from Standby mode to active mode | | | 2 | | μs |
| T_{off} | Time from active mode to Standby mode | Down to $I_{CC-STBY} = 40\mu A$ | | 13 | | μs |

Table 6. TSH111 standby control pin status

| TSH111 standby control pin 8 (\overline{SBY}) | Operator status |
|---------------------------------------------------|-----------------|
| V_{low} | Standby |
| V_{high} | Active |

Table 7. TSH113 standby control pin status

| TSH113 standby control | | | Operator status | | |
|----------------------------------|----------------------------------|---------------------------------|-----------------|---------|---------|
| pin 1 (\overline{SBY} OP1) | pin 2 (\overline{SBY} OP2) | pin 3 (\overline{SBY} OP) | OP1 | OP1 | OP3 |
| V_{low} | x | x | Standby | x | x |
| V_{high} | x | x | Active | x | x |
| x | V_{low} | x | x | Standby | x |
| x | V_{high} | | x | Active | x |
| x | x | V_{low} | x | x | Standby |
| x | x | V_{high} | x | x | Active |

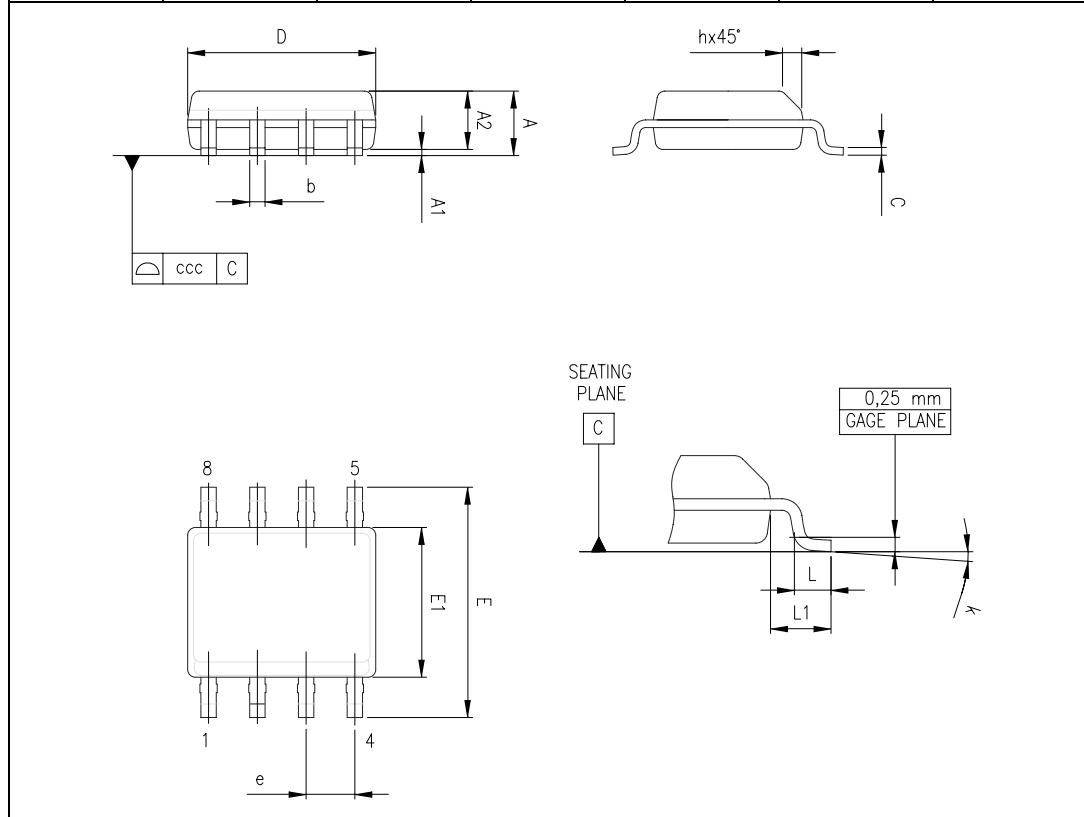
4 Package information

In order to meet environmental requirements, STMicroelectronics offers these devices in ECOPACK[®] packages. These packages have a lead-free second level interconnect. The category of second level interconnect is marked on the package and on the inner box label, in compliance with JEDEC Standard JESD97. The maximum ratings related to soldering conditions are also marked on the inner box label. ECOPACK is an STMicroelectronics trademark. ECOPACK specifications are available at: www.st.com.

4.1 SO-8 package mechanical data

Figure 1. SO-8 package mechanical data

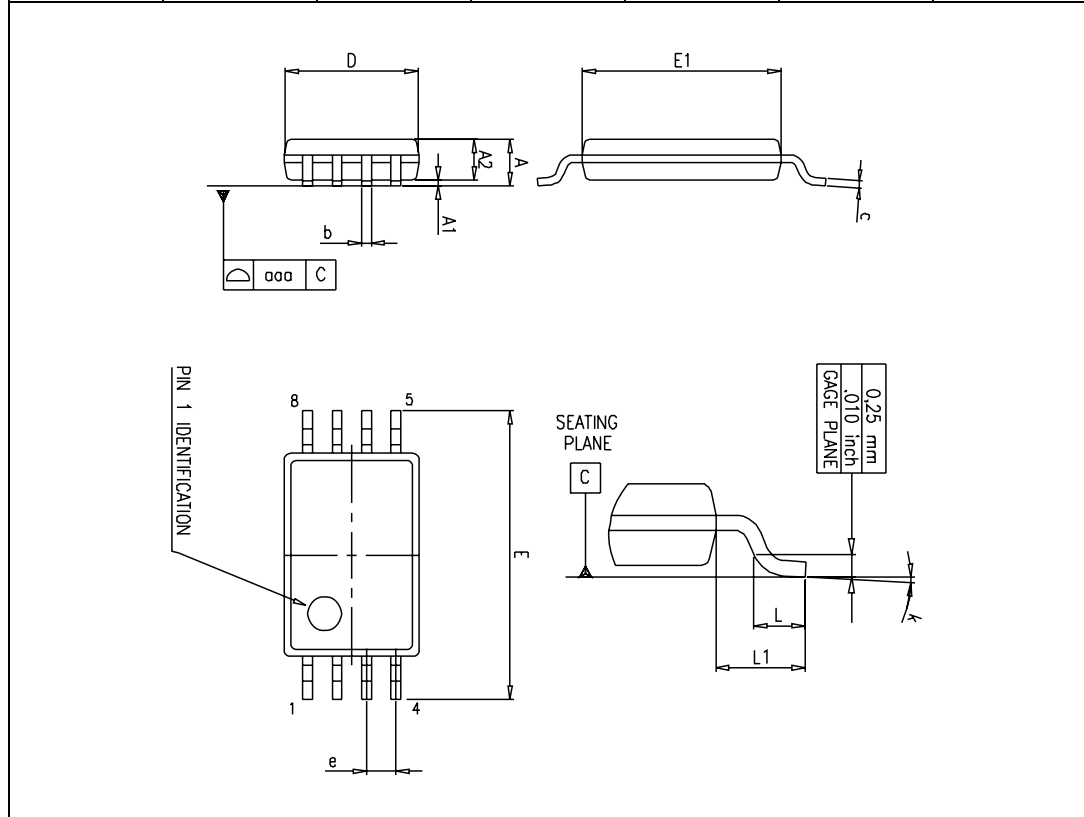
| Ref. | Dimensions | | | | | |
|------|-------------|------|------|--------|-------|-------|
| | Millimeters | | | Inches | | |
| | Min. | Typ. | Max. | Min. | Typ. | Max. |
| A | | | 1.75 | | | 0.069 |
| A1 | 0.10 | | 0.25 | 0.004 | | 0.010 |
| A2 | 1.25 | | | 0.049 | | |
| b | 0.28 | | 0.48 | 0.011 | | 0.019 |
| c | 0.17 | | 0.23 | 0.007 | | 0.010 |
| D | 4.80 | 4.90 | 5.00 | 0.189 | 0.193 | 0.197 |
| H | 5.80 | 6.00 | 6.20 | 0.228 | 0.236 | 0.244 |
| E1 | 3.80 | 3.90 | 4.00 | 0.150 | 0.154 | 0.157 |
| e | | 1.27 | | | 0.050 | |
| h | 0.25 | | 0.50 | 0.010 | | 0.020 |
| L | 0.40 | | 1.27 | 0.016 | | 0.050 |
| k | 1° | | 8° | 1° | | 8° |
| ccc | | | 0.10 | | | 0.004 |



4.2 TSSOP8 package mechanical data

Figure 2. TSSOP8 package mechanical data

| Ref. | Dimensions | | | | | |
|------|-------------|------|------|--------|--------|-------|
| | Millimeters | | | Inches | | |
| | Min. | Typ. | Max. | Min. | Typ. | Max. |
| A | | | 1.2 | | | 0.047 |
| A1 | 0.05 | | 0.15 | 0.002 | | 0.006 |
| A2 | 0.80 | 1.00 | 1.05 | 0.031 | 0.039 | 0.041 |
| b | 0.19 | | 0.30 | 0.007 | | 0.012 |
| c | 0.09 | | 0.20 | 0.004 | | 0.008 |
| D | 2.90 | 3.00 | 3.10 | 0.114 | 0.118 | 0.122 |
| E | 6.20 | 6.40 | 6.60 | 0.244 | 0.252 | 0.260 |
| E1 | 4.30 | 4.40 | 4.50 | 0.169 | 0.173 | 0.177 |
| e | | 0.65 | | | 0.0256 | |
| k | 0° | | 8° | 0° | | 8° |
| L | 0.45 | 0.60 | 0.75 | 0.018 | 0.024 | 0.030 |
| L1 | | 1 | | | 0.039 | |
| aaa | | 0.1 | | | 0.004 | |



4.3 SO-14 package mechanical data

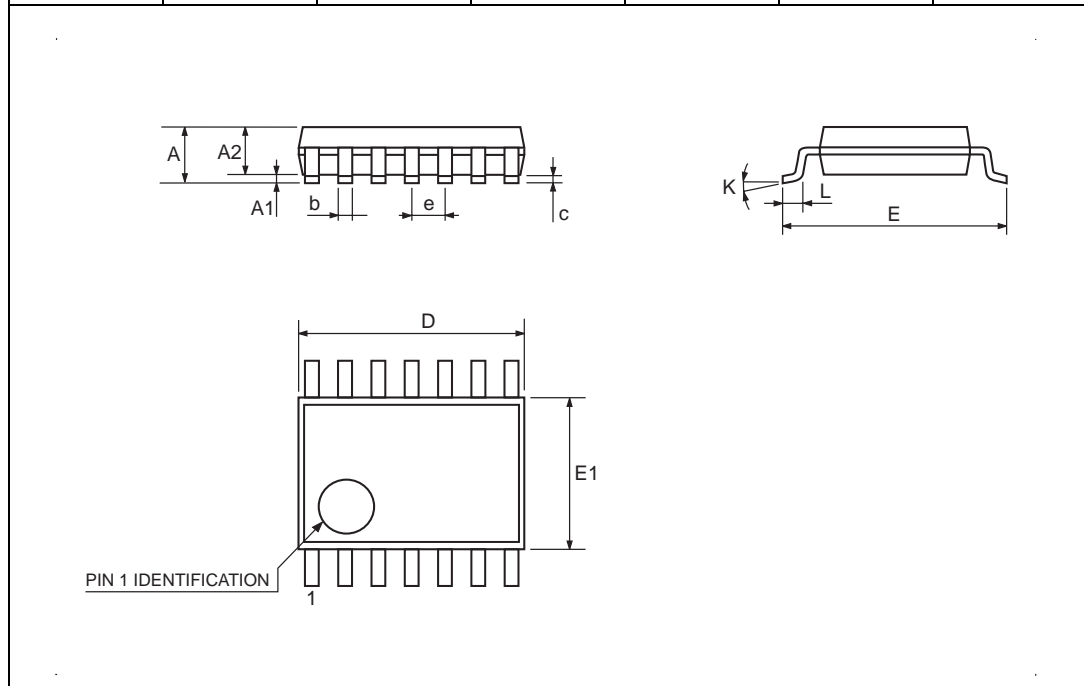
Figure 3. SO-14 package mechanical data

| Ref. | Dimensions | | | | | |
|------|-------------|------|------|--------|-------|-------|
| | Millimeters | | | Inches | | |
| | Min. | Typ. | Max. | Min. | Typ. | Max. |
| A | | | 1.75 | | | 0.068 |
| a1 | 0.1 | | 0.2 | 0.003 | | 0.007 |
| a2 | | | 1.65 | | | 0.064 |
| b | 0.35 | | 0.46 | 0.013 | | 0.018 |
| b1 | 0.19 | | 0.25 | 0.007 | | 0.010 |
| C | | 0.5 | | | 0.019 | |
| c1 | 45° (typ.) | | | | | |
| D | 8.55 | | 8.75 | 0.336 | | 0.344 |
| E | 5.8 | | 6.2 | 0.228 | | 0.244 |
| e | | 1.27 | | | 0.050 | |
| e3 | | 7.62 | | | 0.300 | |
| F | 3.8 | | 4.0 | 0.149 | | 0.157 |
| G | 4.6 | | 5.3 | 0.181 | | 0.208 |
| L | 0.5 | | 1.27 | 0.019 | | 0.050 |
| M | | | 0.68 | | | 0.026 |
| S | 8° (max.) | | | | | |

4.4 TSSOP14 package mechanical data

Figure 4. TSSOP14 package mechanical data

| Ref. | Dimensions | | | | | |
|------|-------------|----------|------|--------|------------|--------|
| | Millimeters | | | Inches | | |
| | Min. | Typ. | Max. | Min. | Typ. | Max. |
| A | | | 1.2 | | | 0.047 |
| A1 | 0.05 | | 0.15 | 0.002 | 0.004 | 0.006 |
| A2 | 0.8 | 1 | 1.05 | 0.031 | 0.039 | 0.041 |
| b | 0.19 | | 0.30 | 0.007 | | 0.012 |
| c | 0.09 | | 0.20 | 0.004 | | 0.0089 |
| D | 4.9 | 5 | 5.1 | 0.193 | 0.197 | 0.201 |
| E | 6.2 | 6.4 | 6.6 | 0.244 | 0.252 | 0.260 |
| E1 | 4.3 | 4.4 | 4.48 | 0.169 | 0.173 | 0.176 |
| e | | 0.65 BSC | | | 0.0256 BSC | |
| K | 0° | | 8° | 0° | | 8° |
| L | 0.45 | 0.60 | 0.75 | 0.018 | 0.024 | 0.030 |



4.5 SOT23-5 package mechanical data

Figure 5. SOT23-5 package (Inches)

| Ref. | Dimensions | | | | | |
|------|-------------|------|------|--------|-------|-------|
| | Millimeters | | | Inches | | |
| | Min. | Typ. | Max. | Min. | Typ. | Max. |
| A | 0.90 | | 1.45 | 0.035 | | 0.057 |
| A1 | 0.00 | | 0.15 | 0.00 | | 0.006 |
| A2 | 0.90 | | 1.30 | 0.035 | | 0.051 |
| b | 0.35 | | 0.50 | 0.014 | | 0.02 |
| C | 0.09 | | 0.20 | 0.003 | | 0.008 |
| D | 2.80 | | 3.00 | 0.110 | | 0.118 |
| H | 2.60 | | 3.00 | 0.102 | | 0.118 |
| E | 1.50 | | 1.75 | 0.059 | | 0.069 |
| e | | 0.95 | | | 0.037 | |
| e1 | | 1.9 | | | 0.075 | |
| L | 0.35 | | 0.55 | 0.014 | | 0.022 |

The figure contains three mechanical drawings of the SOT23-5 package. The top drawing is a perspective view showing dimensions A1 (lead height), A (lead length), H (package height), L (lead thickness), and C (lead angle). The middle drawing is a top view showing dimensions E (package width), e (pitch), and b (lead width). The bottom drawing is a side view showing dimensions D (package thickness), A2 (lead length to package edge), and A (total lead length).

5 Ordering information

Table 8. Order codes

| Part number | Temperature range | Package | Packing | Marking |
|---------------------------|-------------------|-----------------------------------------|------------------------|---------|
| TSH110ILT | -40°C to +85°C | SOT23-5 | Tape & reel | K302 |
| TSH110IYLT ⁽¹⁾ | | SOT23-5 (Automotive grade level) | Tape & reel | K309 |
| TSH111ID TSH111IDT | | SO-8 | Tube or Tape & reel | H111I |
| TSH111IPT | | TSSOP8 (Thin shrink outline package) | Tape & reel | H111I |
| TSH112ID TSH112IDT | | SO-8 | Tube or Tape & reel | H112I |
| TSH112IPT | | TSSOP8 (Thin shrink outline package) | Tape & reel | H112I |
| TSH113ID TSH113IDT | | SO-14 | Tube or Tape & reel | TSH113I |
| TSH113IPT | | TSSOP14 | Tape & reel | TSH113I |
| TSH114ID TSH114IDT | | SO-14 | Tube or Tape & reel | TSH114I |
| TSH114IPT | | TSSOP14 | Tape & reel | TSH114I |

1. Qualification and characterization according to AEC Q100 and Q003 or equivalent, advanced screening according to AEC Q001 & Q 002 or equivalent are on-going.

6 Revision history

Table 9. Document revision history

| Date | Revision | Changes |
|-------------|----------|-----------------------------------------------------------------------------------------------------------|
| 4-Oct-2001 | 1 | Initial release. |
| 22-Oct-2007 | 2 | Added TSH110ILT/TSH110IYLT order codes to Table 8: Order codes . Document reformatted. |

Please Read Carefully:

Information in this document is provided solely in connection with ST products. STMicroelectronics NV and its subsidiaries ("ST") reserve the right to make changes, corrections, modifications or improvements, to this document, and the products and services described herein at any time, without notice.

All ST products are sold pursuant to ST's terms and conditions of sale.

Purchasers are solely responsible for the choice, selection and use of the ST products and services described herein, and ST assumes no liability whatsoever relating to the choice, selection or use of the ST products and services described herein.

No license, express or implied, by estoppel or otherwise, to any intellectual property rights is granted under this document. If any part of this document refers to any third party products or services it shall not be deemed a license grant by ST for the use of such third party products or services, or any intellectual property contained therein or considered as a warranty covering the use in any manner whatsoever of such third party products or services or any intellectual property contained therein.

UNLESS OTHERWISE SET FORTH IN ST'S TERMS AND CONDITIONS OF SALE ST DISCLAIMS ANY EXPRESS OR IMPLIED WARRANTY WITH RESPECT TO THE USE AND/OR SALE OF ST PRODUCTS INCLUDING WITHOUT LIMITATION IMPLIED WARRANTIES OF MERCHANTABILITY, FITNESS FOR A PARTICULAR PURPOSE (AND THEIR EQUIVALENTS UNDER THE LAWS OF ANY JURISDICTION), OR INFRINGEMENT OF ANY PATENT, COPYRIGHT OR OTHER INTELLECTUAL PROPERTY RIGHT.

UNLESS EXPRESSLY APPROVED IN WRITING BY AN AUTHORIZED ST REPRESENTATIVE, ST PRODUCTS ARE NOT RECOMMENDED, AUTHORIZED OR WARRANTED FOR USE IN MILITARY, AIR CRAFT, SPACE, LIFE SAVING, OR LIFE SUSTAINING APPLICATIONS, NOR IN PRODUCTS OR SYSTEMS WHERE FAILURE OR MALFUNCTION MAY RESULT IN PERSONAL INJURY, DEATH, OR SEVERE PROPERTY OR ENVIRONMENTAL DAMAGE. ST PRODUCTS WHICH ARE NOT SPECIFIED AS "AUTOMOTIVE GRADE" MAY ONLY BE USED IN AUTOMOTIVE APPLICATIONS AT USER'S OWN RISK.

Resale of ST products with provisions different from the statements and/or technical features set forth in this document shall immediately void any warranty granted by ST for the ST product or service described herein and shall not create or extend in any manner whatsoever, any liability of ST.

ST and the ST logo are trademarks or registered trademarks of ST in various countries.

Information in this document supersedes and replaces all information previously supplied.

The ST logo is a registered trademark of STMicroelectronics. All other names are the property of their respective owners.

© 2007 STMicroelectronics - All rights reserved

STMicroelectronics group of companies

Australia - Belgium - Brazil - Canada - China - Czech Republic - Finland - France - Germany - Hong Kong - India - Israel - Italy - Japan - Malaysia - Malta - Morocco - Singapore - Spain - Sweden - Switzerland - United Kingdom - United States of America

www.st.com

