

# ON Semiconductor

## Is Now

# onsemi™

To learn more about onsemi™, please visit our website at  
[www.onsemi.com](http://www.onsemi.com)

**onsemi** and **onsemi** and other names, marks, and brands are registered and/or common law trademarks of Semiconductor Components Industries, LLC dba "**onsemi**" or its affiliates and/or subsidiaries in the United States and/or other countries. **onsemi** owns the rights to a number of patents, trademarks, copyrights, trade secrets, and other intellectual property. A listing of **onsemi** product/patent coverage may be accessed at [www.onsemi.com/site/pdf/Patent-Marking.pdf](http://www.onsemi.com/site/pdf/Patent-Marking.pdf). **onsemi** reserves the right to make changes at any time to any products or information herein, without notice. The information herein is provided "as-is" and **onsemi** makes no warranty, representation or guarantee regarding the accuracy of the information, product features, availability, functionality, or suitability of its products for any particular purpose, nor does **onsemi** assume any liability arising out of the application or use of any product or circuit, and specifically disclaims any and all liability, including without limitation special, consequential or incidental damages. Buyer is responsible for its products and applications using **onsemi** products, including compliance with all laws, regulations and safety requirements or standards, regardless of any support or applications information provided by **onsemi**. "Typical" parameters which may be provided in **onsemi** data sheets and/or specifications can and do vary in different applications and actual performance may vary over time. All operating parameters, including "Typicals" must be validated for each customer application by customer's technical experts. **onsemi** does not convey any license under any of its intellectual property rights nor the rights of others. **onsemi** products are not designed, intended, or authorized for use as a critical component in life support systems or any FDA Class 3 medical devices or medical devices with a same or similar classification in a foreign jurisdiction or any devices intended for implantation in the human body. Should Buyer purchase or use **onsemi** products for any such unintended or unauthorized application, Buyer shall indemnify and hold **onsemi** and its officers, employees, subsidiaries, affiliates, and distributors harmless against all claims, costs, damages, and expenses, and reasonable attorney fees arising out of, directly or indirectly, any claim of personal injury or death associated with such unintended or unauthorized use, even if such claim alleges that **onsemi** was negligent regarding the design or manufacture of the part. **onsemi** is an Equal Opportunity/Affirmative Action Employer. This literature is subject to all applicable copyright laws and is not for resale in any manner. Other names and brands may be claimed as the property of others.

# NCV7702B

## 1 A Dual H-Bridge Driver

This dual full-bridge driver IC is intended for 14 V automotive stepper and DC motor applications. Its four half-bridge outputs are configured as two channels and are programmed by six TTL compatible inputs, allowing flexible control of bridge operation. The device operates in standby mode, run mode, or brake mode and typically consumes less than 1  $\mu\text{A}$  while in standby. In run mode, each half-bridge output can deliver load current in either direction. Brake mode activates the low side transistors or high side transistors at the selected outputs. On-chip recirculation diodes are provided, and the IC has multiple fault protection modes. Overcurrent detection protects against shorted loads between outputs and shorts to supply or ground at each output. An overcurrent fault condition activates an internal timer, which modulates faulted outputs at low duty cycle. An overcurrent condition in one channel does not affect operation in the other. Overvoltage and overtemperature detection are also provided, and turn off all bridge outputs during these fault conditions. Recovery from all fault conditions is automatic; the IC will resume normal operation in its previously selected mode upon fault resolution. Diagnostic ability is provided by two open-collector STATUS outputs which report the fault status of each channel independently during overcurrent faults, and together during overvoltage or overtemperature faults.

### Features

- Single 7 V–16 V Supply
- Low Standby Current:
  - ◆  $< 1.0 \mu\text{A}$  Typically
- 3.3 V / 5 V Compatible Inputs
- Independent Channel Enable
- Channels Configurable as:
  - ◆ Full-Bridge Drive
  - ◆ Half-Bridge, High Side or Low Side Drive
- On-Chip Recirculation Diodes
- Fault Protection with Automatic Recovery for:
  - ◆ Overcurrent
  - ◆ Overvoltage
  - ◆ Overtemperature
- Fault Diagnostic STATUS Outputs
- Internally Fused Leads in SO–24L Package
- AEC Qualified
- PPAP Capable
- These are Pb–Free Devices\*

### Applications

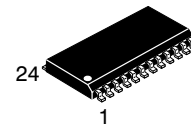
- Automotive and Industrial Driver for:
  - ◆ DC or Stepper Motors
  - ◆ Relays or Solenoids
  - ◆ Unipolar or Bipolar Loads

\*For additional information on our Pb–Free strategy and soldering details, please download the ON Semiconductor Soldering and Mounting Techniques Reference Manual, SOLDERRM/D.



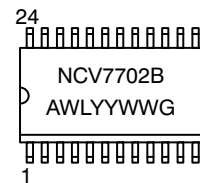
**ON Semiconductor®**

<http://onsemi.com>



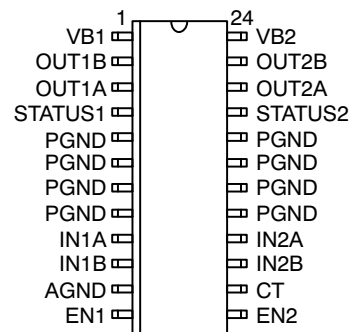
**SO–24L  
DW SUFFIX  
CASE 751E**

### MARKING DIAGRAM



A = Assembly Location  
 WL = Wafer Lot  
 YY = Year  
 WW = Work Week  
 G = Pb–Free Device

### PIN CONNECTIONS



### ORDERING INFORMATION

Device	Package	Shipping†
NCV7702BDWG	SO–24L (Pb–Free)	31 Units/Rail
NCV7702BDWR2G	SO–24L (Pb–Free)	1000 Tape & Reel

†For information on tape and reel specifications, including part orientation and tape sizes, please refer to our Tape and Reel Packaging Specifications Brochure, BRD8011/D.

# NCV7702B

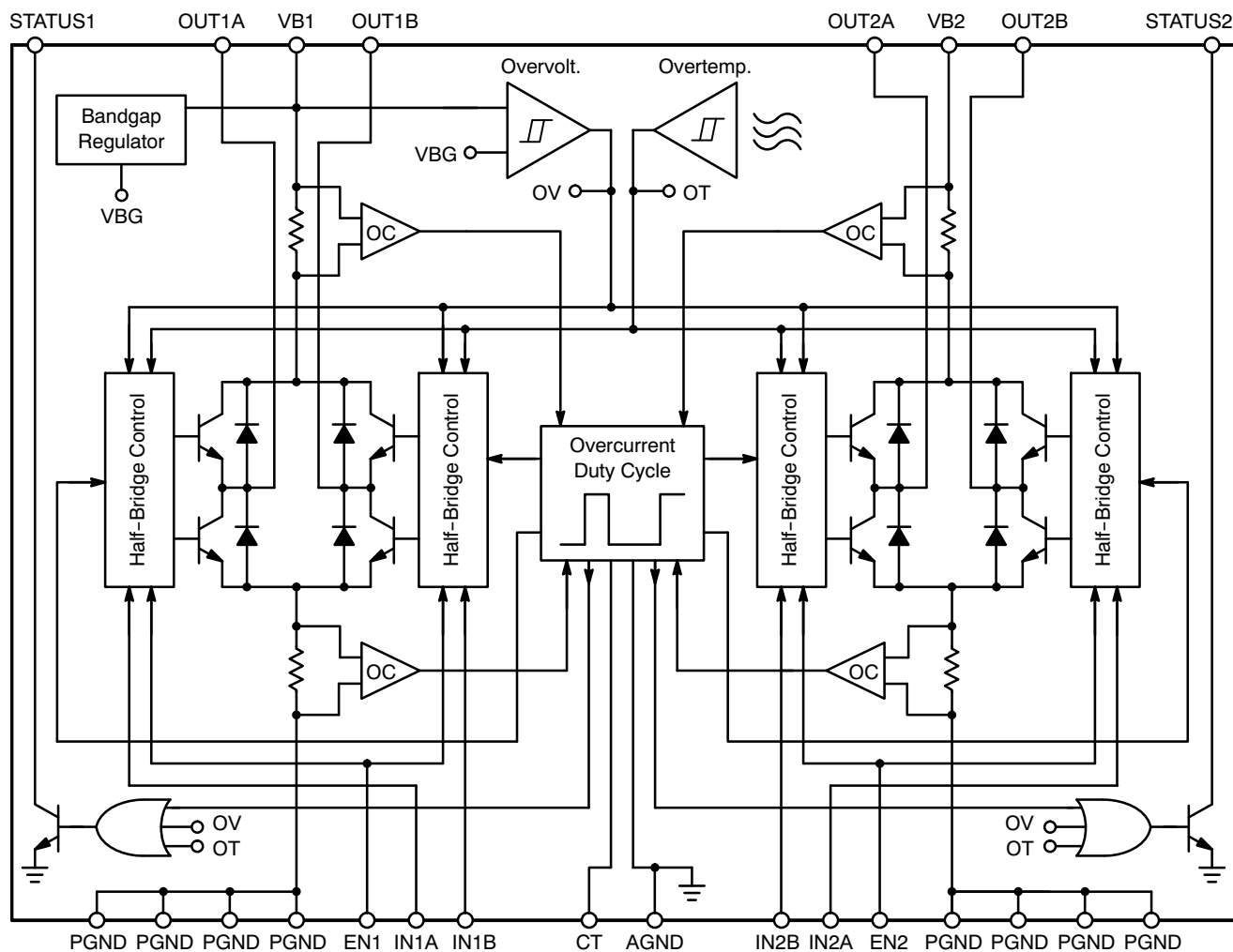


Figure 1. Block Diagram

## MAXIMUM RATINGS

Rating	Value	Unit	
Power Supply Voltage, VB	-0.5 to 30	V	
Peak Transient Voltage (46 V Load Dump @ VB = 14 V)	60	V	
Logic Inputs & Status Outputs	-0.3 to 7.0	V	
Junction Temperature, T <sub>J</sub>	150	°C	
Storage Temperature Range	-65 to 150	°C	
Package Thermal Resistance: Junction-to-Case, R <sub>θJC</sub> Junction-to-Ambient, R <sub>θJA</sub>	9 55	°C/W °C/W	
ESD Capability	Human Body Model Machine Model	2.0 200	kV V
Peak Reflow Soldering Temperature (60 to 150 seconds at 217°C) (Note 1)	260 peak	°C	
Moisture Sensitivity Level (MSL)	3	-	

Stresses exceeding Maximum Ratings may damage the device. Maximum Ratings are stress ratings only. Functional operation above the Recommended Operating Conditions is not implied. Extended exposure to stresses above the Recommended Operating Conditions may affect device reliability.

- For additional information on our Pb-Free strategy and soldering details, please download the ON Semiconductor Soldering and Mounting Techniques Reference Manual, SOLDERRM/D.

# NCV7702B

**ELECTRICAL CHARACTERISTICS** (7.0 V ≤ V<sub>B</sub> ≤ 16 V, -40°C ≤ T<sub>J</sub> ≤ 125°C; unless otherwise specified.) Notes 2 and 3.

Characteristic	Test Conditions	Min	Typ	Max	Unit
----------------	-----------------	-----	-----	-----	------

## General Characteristics

Quiescent Current	Standby Mode, V <sub>B</sub> ≤ 12.8 V	-	1.0	10	μA
	Run Mode, I <sub>OUT</sub> = 750 mA, Both Channels	-	-	40	mA

## Logic Inputs

High Level Input Voltage, V <sub>IH</sub>	-	2.0	-	-	V
Low Level Input Voltage, V <sub>IL</sub>	-	-	-	0.8	V
IN <sub>X</sub> Input Current	V <sub>IN</sub> = 5.0 V V <sub>IN</sub> = 0 V	- -5.0	0 0	5.0 -	μA μA
EN <sub>X</sub> Input Current	V <sub>IN</sub> = 5.0 V V <sub>IN</sub> = 0 V	- -5.0	130 0	200 5.0	μA μA
EN <sub>X</sub> Delay, t <sub>PE</sub>	50% of EN <sub>X</sub> to 50% of OUT <sub>X</sub> ; Note 4 Turn ON Turn Off	- -	- -	25 60	μs

## Status Outputs

Saturation Voltage, V <sub>SL</sub>	I <sub>STATUS</sub> = 4.0 mA	-	-	0.4	V
Leakage Current	V <sub>STATUS</sub> = 5.0 V	-	-	10	μA

## Half-Bridge Driver Outputs

Total Output Saturation Voltage	I <sub>OUT</sub> = 750 mA, Each Channel	-	2.5	3.0	V
Output Saturation Voltage High	I <sub>OUT</sub> = 750 mA, V <sub>B</sub> - V <sub>OUT</sub> , Each Driver	-	1.25	1.6	V
Output Saturation Voltage Low	I <sub>OUT</sub> = 750 mA, V <sub>OUT</sub> - V <sub>PGND</sub> , Each Driver	-	1.25	1.6	V
Output Leakage	V <sub>OUT</sub> = V <sub>B</sub> V <sub>OUT</sub> = V <sub>PGND</sub>	- -5.0	0 0	5.0 -	μA μA
Overcurrent Threshold, I <sub>OC</sub>	Low Side, Each Channel High Side, Each Channel	0.9 0.775	1.25 0.900	1.6 1.10	A
Overcurrent Duty Cycle	470 pF ≤ C <sub>T</sub> ≤ 1500 pF; Note 5	3.0	4.0	6.0	%
Switching Delay, t <sub>PI</sub> Sink to Source Source to Sink	50% of IN <sub>X</sub> to 60% of OUT <sub>X</sub> ; Note 6 50% of IN <sub>X</sub> to 40% of OUT <sub>X</sub> ; Note 6	0.20 0.20	- -	14 10	μs
Dead Band Time, t <sub>DB</sub>	Note 6	0.10	-	10	μs
Recirculation Diode Forward Voltage	I <sub>DIODE</sub> = 750 mA	-	-	2.5	V

## Delay Timer

Charge Current, I <sub>CHG</sub>	-	-85	-65	-45	μA
Discharge Current, I <sub>DCH</sub>	-	1.25	2.0	3.25	μA
Input Threshold High, V <sub>CH</sub>	-	1.85	2.0	2.15	V
Input Threshold Low, V <sub>DC</sub>	-	200	300	400	mV

## Global Fault Protection

Overtemperature Detection Threshold	Note 7	150	-	210	°C
Overtemperature Hysteresis	Note 7	-	15	-	°C
Overvoltage Detection Threshold	Note 8	26	28	30	V
Overvoltage Hysteresis	-	500	850	1200	mV

2. Designed to meet these characteristics over the stated voltage and temperature recommended operating ranges, though may not be 100% parametrically tested in production.
3. Operation is guaranteed down to V<sub>B</sub> = 6.0 V. Electrical characteristics may be outside the limits at that voltage.
4. See Figures 2 and 3; V<sub>B</sub> = 14 V, R = 100 Ω.
5. C<sub>T</sub> must remain in this range to guarantee proper operation, and to ensure part integrity, during hard short conditions.
6. See Figures 2 and 4; V<sub>B</sub> = 14 V, R = 100 Ω.
7. Guaranteed by design.
8. Consult factory for no overvoltage detection or lower overvoltage detection threshold options.

# NCV7702B

## PACKAGE PIN DESCRIPTION

PACKAGE PIN #	PIN SYMBOL	FUNCTION
1	VB1	Power supply input voltage; overvoltage detection occurs at this pin.
2	OUT1B	Half-bridge output controlled by IN1B.
3	OUT1A	Half-bridge output controlled by IN1A.
4	STATUS1	Diagnostic output; reports channel #1 fault condition.
5	PGND	Power supply return.
6	PGND	Power supply return.
7	PGND	Power supply return.
8	PGND	Power supply return.
9	IN1A	Logic level input.
10	IN1B	Logic level input.
11	AGND	Analog supply return; reference for external C <sub>T</sub> capacitor, device substrate.
12	EN1	Enable for OUT1A and OUT1B.
13	EN2	Enable for OUT2A and OUT2B.
14	CT	External capacitor; sets overcurrent delay time and duty cycle.
15	IN2B	Logic level input.
16	IN2A	Logic level input.
17	PGND	Power supply return.
18	PGND	Power supply return.
19	PGND	Power supply return.
20	PGND	Power supply return.
21	STATUS2	Diagnostic output; reports channel #2 fault condition.
22	OUT2A	Half-bridge output controlled by IN2A.
23	OUT2B	Half-bridge output controlled by IN2B.
24	VB2	Power supply input voltage.

# NCV7702B

## INPUT LOGIC TABLE

EN1 = EN2 = 0 = Standby Mode											
Channel #1						Channel #2					
EN1	IN1A	IN1B	OUT1A	OUT1B	Mode	EN2	IN2A	IN2B	OUT2A	OUT2B	Mode
1	0	0	Low	Low	Brake Low	1	0	0	Low	Low	Brake Low
1	0	1	Low	High	Run	1	0	1	Low	High	Run
1	1	0	High	Low	Run	1	1	0	High	Low	Run
1	1	1	High	High	Brake High	1	1	1	High	High	Brake High
0	X	X	Z	Z	Off	0	X	X	Z	Z	Off

NOTE: X = Don't Care; |Z| = Output Off.

## STATUS OUTPUT TABLE

STATUS1	STATUS2	Fault Diagnostic
1	1	No Fault.
0	1	Channel 1 Overcurrent; Note 9
1	0	Channel 2 Overcurrent; Note 9
0	0	Overvoltage, Overtemperature or Overcurrent in Both Channels; Notes 9 and 10

9. During overcurrent, the STATUS outputs will be modulated at the overcurrent duty cycle rate. See Figure 5.

10. During overtemperature, the STATUS outputs will be modulated by the thermal time constants.

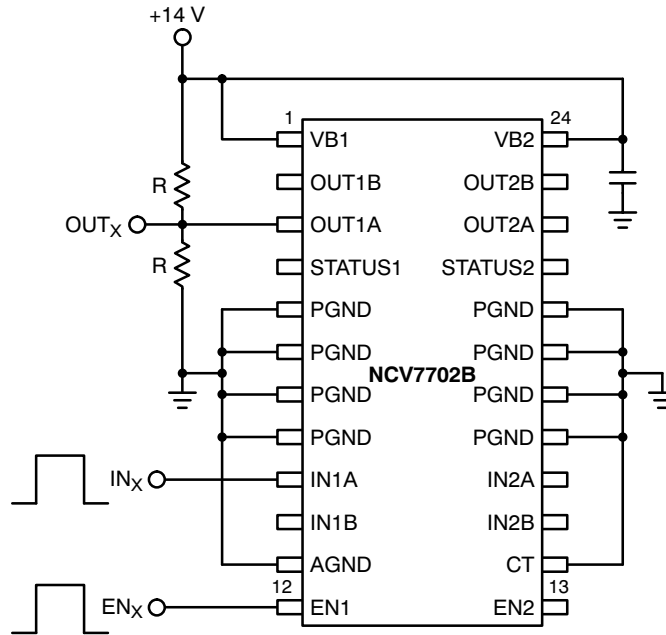


Figure 2. Propagation Delay and Dead Band Timing Test Circuit

# NCV7702B

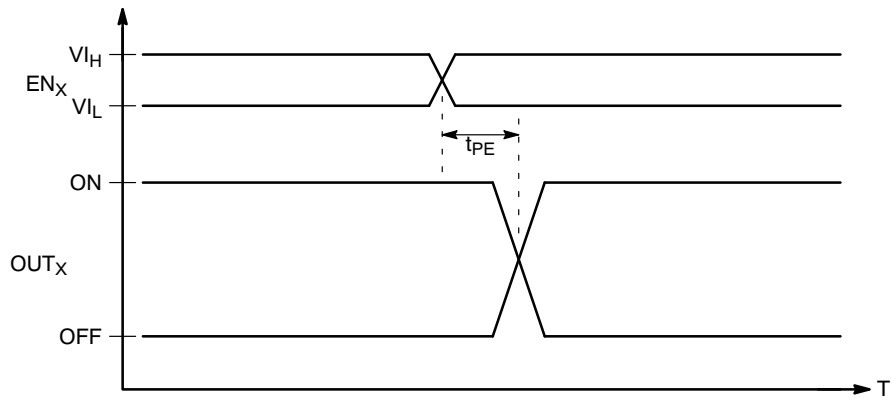


Figure 3.  $EN_x$  Propagation Delay

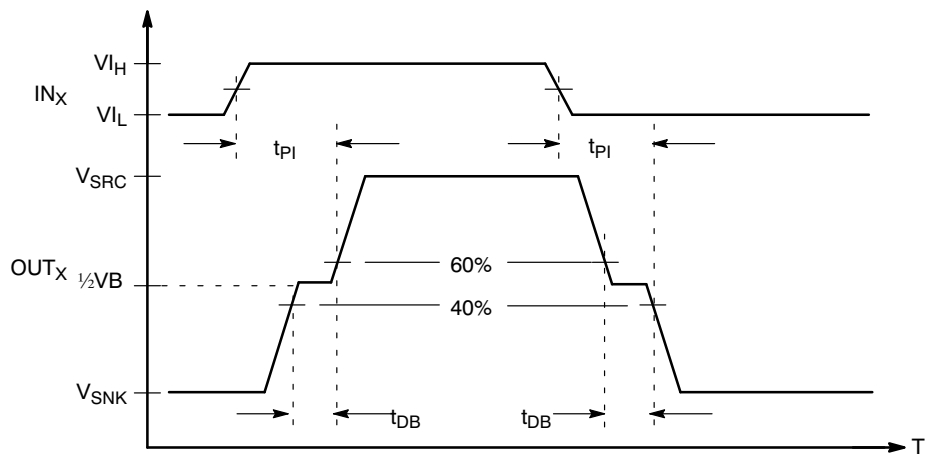


Figure 4.  $OUT_x$  Propagation Delay and Dead Band Timing

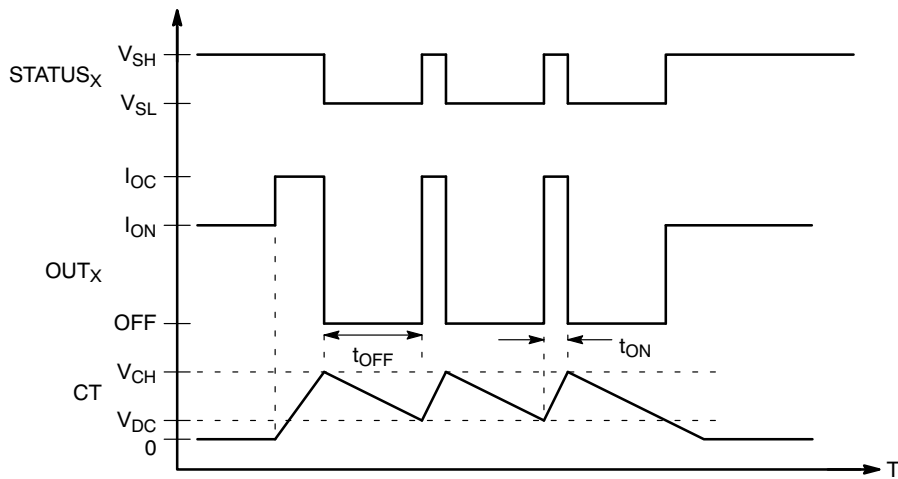


Figure 5. Overcurrent, Status and Duty Cycle Timing

## Functional Description

The NCV7702B is arranged as four half-bridge drivers in two independent channels. Each channel can be operated as a full-bridge or half-bridge to drive multiple load configurations. Separate ENable inputs are used to control which channel is active. Each ENable input has a nominal 50 kΩ internal pull-down resistor to ensure that the outputs remain off during power-up. The four IN<sub>X</sub> control inputs address each half-bridge output, and each output follows the state of its input. When IN<sub>X</sub> is at logic one, OUT<sub>X</sub> is sourcing current from the VB supply; when IN<sub>X</sub> is at logic zero, OUT<sub>X</sub> is sinking current to the PGND return.

## Half-Bridge Drivers

The half-bridge drivers of each OUT<sub>X</sub> are comprised of an NPN Darlington driver on the low-side and a compound PNP-NPN driver on the high-side. Each half-bridge driver is capable of 1 A (min) peak current and is overcurrent protected against load and system faults. Cross conduction currents within each half-bridge are suppressed by the use of a dead-band timer. Each IN<sub>X</sub> input contains an independent dead-band timer that is activated on either edge of the input transition.

Overcurrent detection circuitry is provided in both the low-side and high-side drivers of each half-bridge output. When activated, the overcurrent detectors trigger an internal timer which causes both half-bridge drivers in the same channel to be modulated at 4% (Typ.) duty cycle. The timer also activates the channel's STATUS output, causing it to be similarly modulated (see Figure 5.) Upon removal of the fault condition, the channel automatically resumes operation in its previously programmed mode and its STATUS output returns to a no-fault state.

Recirculation diodes at each OUT<sub>X</sub> clamp load transients to either VB or PGND and help contain switching currents within each load loop.

## Overcurrent Duty Cycle Timer

A single timer for overcurrent duty cycle is common to both channels. The timer is triggered when a half-bridge in either channel has detected an overcurrent fault. An external capacitor connected to the NCV7702B's C<sub>T</sub> pin is used to program the period of the timer, and the ratio of two internally fixed currents programs the timer's duty cycle. The capacitor voltage is normally kept at zero by discharge

current I<sub>DCH</sub>. Upon detection of overcurrent, charging current I<sub>CHG</sub> is switched on and the C<sub>T</sub> capacitor begins charging from zero towards the timer's upper threshold (V<sub>DH</sub>.) When the capacitor voltage crosses V<sub>DH</sub> the faulted channel's outputs are switched off and the channel's STATUS output is switched from V<sub>SH</sub> to V<sub>SL</sub> (see Figure 5.) The charging current is switched off, and the capacitor voltage decreases toward the timer's lower (V<sub>DL</sub>) threshold. Upon crossing the lower threshold, the channel's outputs are switched on and the channel's STATUS output returns to its V<sub>SH</sub> voltage. This behavior continues until the fault condition is resolved. If the fault condition is resolved before V<sub>DH</sub> is reached, the timer is reset and no modulation of the previously faulted channel's half-bridge or STATUS outputs occurs.

After the timer's initial charge cycle, the output off time is:

$$t_{OFF} = C_T (V_{CH} - V_{DC}) / I_{DCH}.$$

The output on time is:

$$t_{ON} = C_T (V_{CH} - V_{DC}) / I_{CHG}.$$

The timer period is:

$$T = t_{OFF} + t_{ON}.$$

The value of the C<sub>T</sub> capacitor is required to be in the range of 470 to 1500 pF. Values below 470 pF may cause timer mis-operation due to internal delays, while values above 1500 pF may cause excessive power dissipation. Connecting the C<sub>T</sub> pin to ground will prevent operation of the current limit function.

## Overvoltage and Overtemperature Protection

Overvoltage detection circuitry is intended to allow limited operation of the NCV7702B during double-battery conditions. Detection is via the VB1 pin and causes both channels of the IC to be switched off when the detection threshold is exceeded. Hysteresis is provided to improve noise immunity of the overvoltage function.

Overtemperature detection circuitry monitors the junction temperature internal to the IC and is intended to ensure reliability by preventing excessive power dissipation. The detection circuitry is centrally located on the IC and causes both channels of the IC to be switched off when the detection threshold is exceeded. Hysteresis is provided to improve noise immunity of the overtemperature function.

Both STATUS outputs are switched to the V<sub>SL</sub> state during either overvoltage or overtemperature faults. Normal operation of the IC is resumed automatically upon resolution the fault, and the STATUS outputs return to the V<sub>SH</sub> State.



# NCV7702B

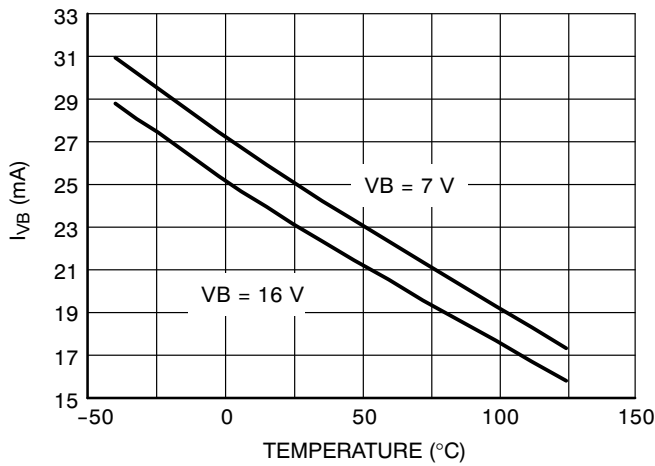


Figure 6. Run Mode Bias Current vs. Temperature

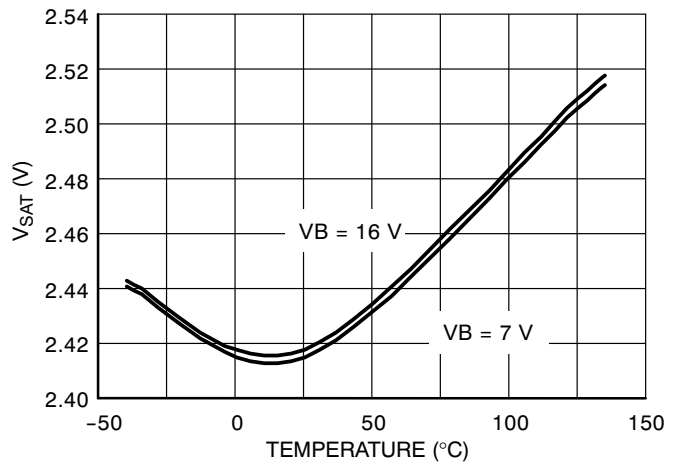


Figure 7. Total V<sub>SAT</sub> vs. Temperature

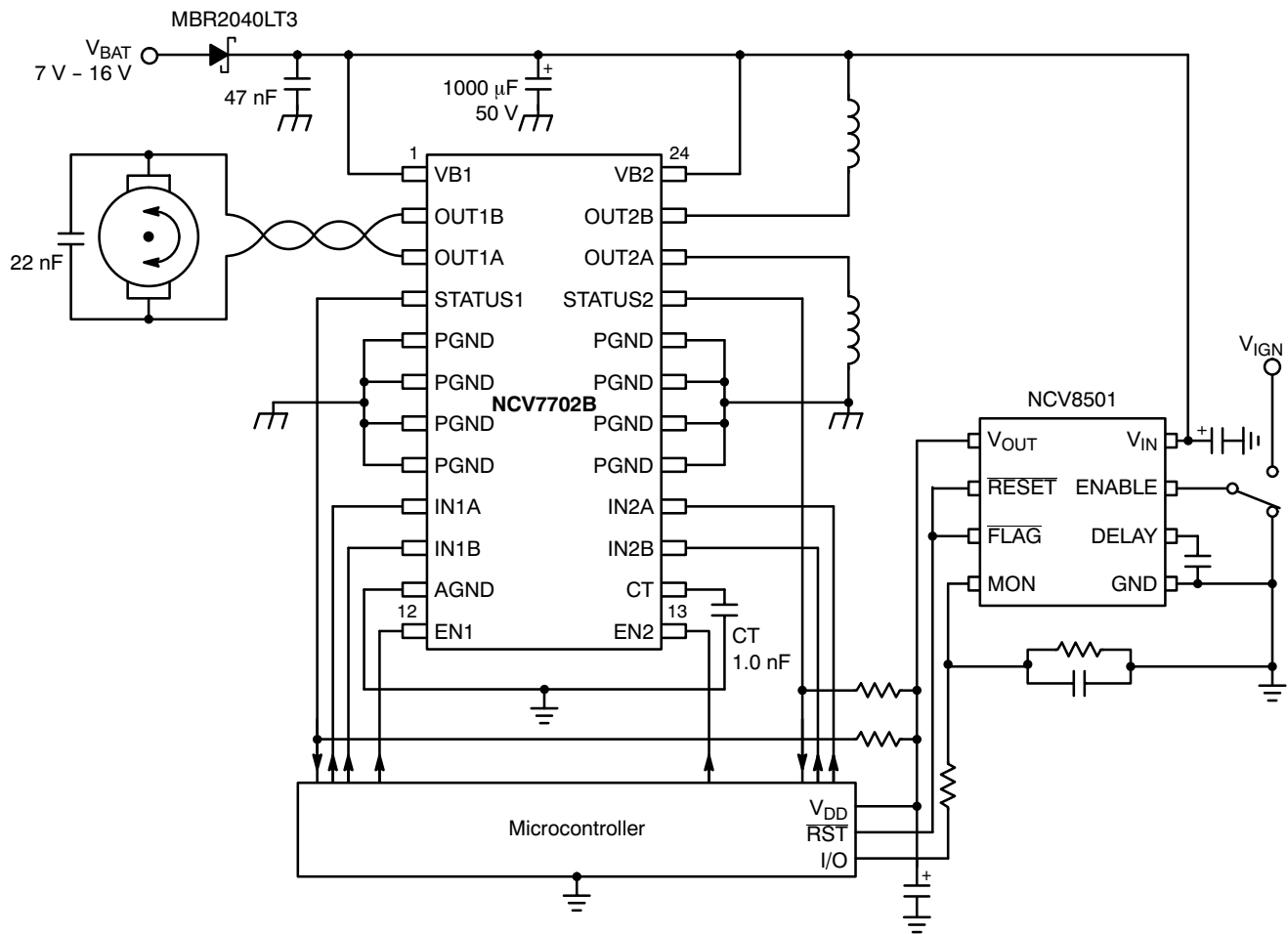


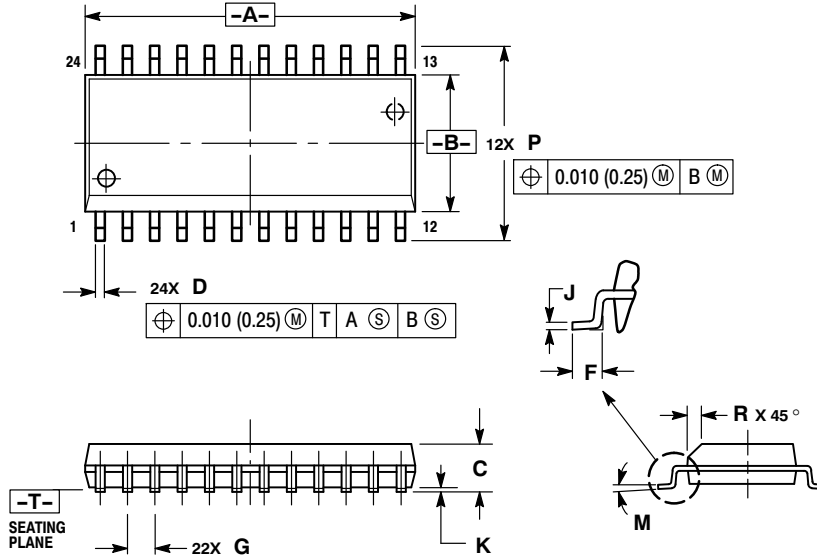
Figure 8. Application Diagram

NOTE: Both V<sub>B</sub> inputs must be connected to the power supply. All PGND pins must be connected to the power supply return (GND). For best thermal performance, the PGND pins should be connected to a thermal plane (heat sink) on the PC board.

# NCV7702B

## PACKAGE DIMENSIONS

SO-24L  
DW SUFFIX  
CASE 751E-04  
ISSUE E



### NOTES:

1. DIMENSIONING AND TOLERANCING PER ANSI Y14.5M, 1982.
2. CONTROLLING DIMENSION: MILLIMETER.
3. DIMENSIONS A AND B DO NOT INCLUDE MOLD PROTRUSION.
4. MAXIMUM MOLD PROTRUSION 0.15 (0.006) PER SIDE.
5. DIMENSION D DOES NOT INCLUDE DAMBAR PROTRUSION. ALLOWABLE DAMBAR PROTRUSION SHALL BE 0.13 (0.005) TOTAL IN EXCESS OF D DIMENSION AT MAXIMUM MATERIAL CONDITION.

DIM	MILLIMETERS		INCHES	
	MIN	MAX	MIN	MAX
A	15.25	15.54	0.601	0.612
B	7.40	7.60	0.292	0.299
C	2.35	2.65	0.093	0.104
D	0.35	0.49	0.014	0.019
F	0.41	0.90	0.016	0.035
G	1.27 BSC		0.050 BSC	
J	0.23	0.32	0.009	0.013
K	0.13	0.29	0.005	0.011
M	0° 8°		0° 8°	
P	10.05	10.55	0.395	0.415
R	0.25	0.75	0.010	0.029

ON Semiconductor and are registered trademarks of Semiconductor Components Industries, LLC (SCILLC). SCILLC reserves the right to make changes without further notice to any products herein. SCILLC makes no warranty, representation or guarantee regarding the suitability of its products for any particular purpose, nor does SCILLC assume any liability arising out of the application or use of any product or circuit, and specifically disclaims any and all liability, including without limitation special, consequential or incidental damages. "Typical" parameters which may be provided in SCILLC data sheets and/or specifications can and do vary in different applications and actual performance may vary over time. All operating parameters, including "Typicals" must be validated for each customer application by customer's technical experts. SCILLC does not convey any license under its patent rights nor the rights of others. SCILLC products are not designed, intended, or authorized for use as components in systems intended for surgical implant into the body, or other applications intended to support or sustain life, or for any other application in which the failure of the SCILLC product could create a situation where personal injury or death may occur. Should Buyer purchase or use SCILLC products for any such unintended or unauthorized application, Buyer shall indemnify and hold SCILLC and its officers, employees, subsidiaries, affiliates, and distributors harmless against all claims, costs, damages, and expenses, and reasonable attorney fees arising out of, directly or indirectly, any claim of personal injury or death associated with such unintended or unauthorized use, even if such claim alleges that SCILLC was negligent regarding the design or manufacture of the part. SCILLC is an Equal Opportunity/Affirmative Action Employer. This literature is subject to all applicable copyright laws and is not for resale in any manner.

### PUBLICATION ORDERING INFORMATION

#### LITERATURE FULFILLMENT:

Literature Distribution Center for ON Semiconductor  
P.O. Box 5163, Denver, Colorado 80217 USA  
Phone: 303-675-2175 or 800-344-3860 Toll Free USA/Canada  
Fax: 303-675-2176 or 800-344-3867 Toll Free USA/Canada  
Email: orderlit@onsemi.com

N. American Technical Support: 800-282-9855 Toll Free  
USA/Canada  
Europe, Middle East and Africa Technical Support:  
Phone: 421 33 790 2910  
Japan Customer Focus Center  
Phone: 81-3-5773-3850

ON Semiconductor Website: [www.onsemi.com](http://www.onsemi.com)

Order Literature: <http://www.onsemi.com/orderlit>

For additional information, please contact your local Sales Representative

NCV7702B/D