



# LB11651

Monolithic Digital IC

## PWM Input Forward/Reverse Motor Driver

ON Semiconductor®

<http://onsemi.com>

### Overview

The LB11651 is a full bridge driver that supports switching between forward and reverse directions. It operates in one of four modes under application control: forward, reverse, brake, and open. It also supports direct PWM control from an external signal. The LB11651 is optimal for driving brush DC motors and bipolar stepping motors.

### Features

- Supports PWM input
- Built-in high and low side diodes
- Simultaneous on state prevention function (prevents through currents)
- Built-in thermal shutdown circuit (latching type)
- High and low side short circuit protection function (latching type overcurrent protection)
- Externally controllable modes: forward, reverse, brake, open
- Standby mode function

### Specifications

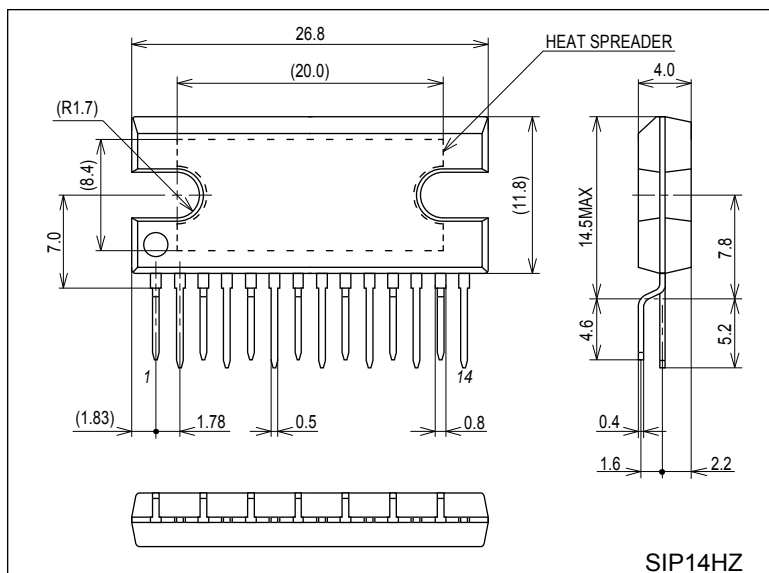
**Absolute Maximum Ratings** at  $T_a = 25^\circ\text{C}$

Parameter	Symbol	Conditions	Ratings	unit
Motor supply voltage	$V_M \text{ max}$		30	V
Peak output current	$I_O \text{ PEAK}$	$t_W \leq 10\mu\text{s}$	4.0	A
Continuous output current	$I_O \text{ max}$	LVS pin	3.0	A
Logic system supply voltage	$V_{CC} \text{ max}$	Independent IC	7.0	V
Allowable power dissipation	$P_d \text{ max}$	When mounted on a glass epoxy circuit board (reference value) : 114.3 mm × 76.1 mm × 1.6 mm	3.5	W
Operating temperature	$T_{opr}$		-20 to +85	$^\circ\text{C}$
Storage temperature	$T_{stg}$		-55 to +150	$^\circ\text{C}$

Stresses exceeding those listed in the Maximum Ratings table may damage the device. If any of these limits are exceeded, device functionality should not be assumed, damage may occur and reliability may be affected.

### Package Dimensions

unit : mm



## LB11651

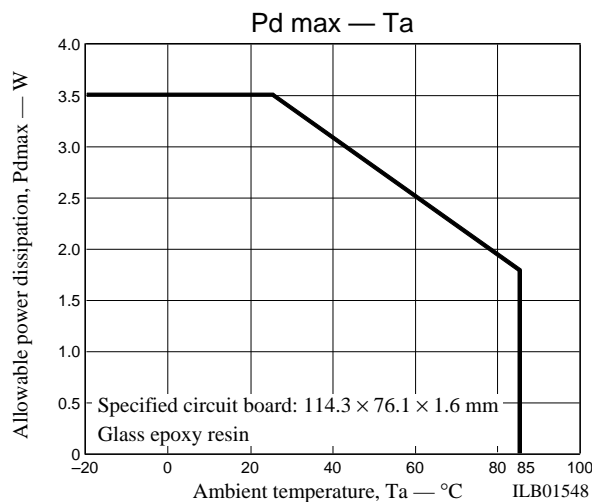
### Recommended Operating Ranges at Ta = 25°C

Parameter	Symbol	Conditions	Ratings	Unit
Motor supply voltage	VM		8 to 28	V
Logic system supply voltage	V <sub>CC</sub>		3.0 to 5.25	V
Logic input voltage range	V <sub>IN</sub>		-0.3 to V <sub>CC</sub>	V

### Electrical Characteristics at Ta = 25°C, VM = 24 V, V<sub>CC</sub> = 5 V

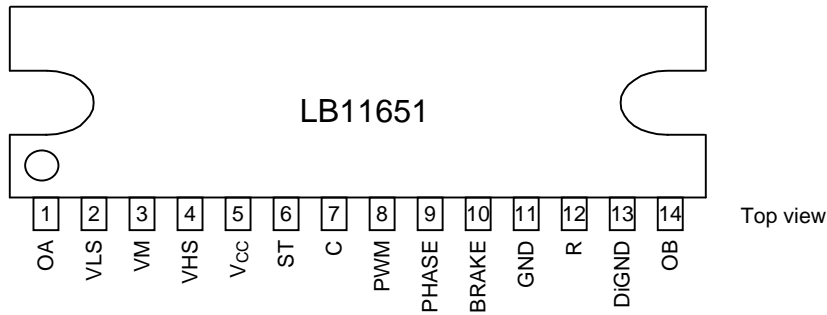
Parameter	Symbol	Conditions	Ratings			Unit
			min	typ	max	
[Output Block]						
Output stage supply current 1	IM ON	With no load, ST = high	0.84	1.2	1.56	mA
Output stage supply current 2	IM wt	With no load, ST = low			50	μA
Output saturation voltage 1	V <sub>O sat1</sub>	I <sub>O</sub> = +1.0 A, sink side		0.4	0.6	V
Output saturation voltage 2	V <sub>O sat2</sub>	I <sub>O</sub> = +2.0 A, sink side		0.6	0.9	V
Output saturation voltage 3	V <sub>O sat3</sub>	I <sub>O</sub> = -1.0 A, source side		1.6	1.9	V
Output saturation voltage 4	V <sub>O sat4</sub>	I <sub>O</sub> = -2.0 A, source side		1.8	2.1	V
Output leakage current	I <sub>O leak</sub>	V <sub>O</sub> = VM, sink side			50	μA
		V <sub>O</sub> = 0 V, source side	-50			μA
[Logic Block]						
Logic supply current	I <sub>CC ON</sub>	V <sub>CC</sub> = 5 V, with the R pin open BRAKE: LOW, PWM: HI, ST: HI	80	110	140	mA
		V <sub>CC</sub> = 3.3 V, with the R pin shorted to V <sub>CC</sub> BRAKE: LOW, PWM: HI, ST: HI	95	125	155	mA
	I <sub>CC BR</sub>	BRAKE: HI, PWM: HI, ST: HI	3.4	4.7	6.0	mA
	I <sub>CC OFF</sub>	BRAKE: LOW, PWM: LOW, ST: HI	4.0	5.2	6.5	mA
	I <sub>CC wt</sub>	ST: LOW			50	μA
Input voltage	V <sub>INH</sub>		2.0			V
	V <sub>INL</sub>				0.8	V
Input current	I <sub>INH</sub>	V <sub>IN</sub> = 3.3 V	35	50	75	μA
	I <sub>INL</sub>	V <sub>IN</sub> = 0.8 V	5	10	13	μA
C pin charge current	I <sub>C</sub>	V <sub>C</sub> = 0 V	35	50	65	μA
C pin output off threshold voltage	V <sub>tc</sub>		1.17	1.3	1.43	V
VHS pin current detection threshold voltage	V <sub>tVHS</sub>		VM - 0.55	VM - 0.5	VM - 0.45	V
VLS pin current detection threshold voltage	V <sub>tVLS</sub>		0.45	0.5	0.55	V
Low voltage cutoff voltage	V <sub>LVSD</sub>		2.25	2.5	2.75	V
Low voltage cutoff hysteresis	V <sub>LVHYS</sub>		0.15	0.2	0.25	V
Thermal shutdown temperature	TTSD	Design target value*	150	175		°C

\*: This is a design target value and is not measured.



## LB11651

### Pin Assignment



### Truth Table

PHASE	BRAKE	ST	PWM	OA	OB	Operating mode
H	L	H	H	H	L	Forward
L	L	H	H	L	H	Reverse
X	L	H	L	OFF	OFF	Output off
X	H	H	X	H	H	Brake
X	X	L or OPEN	X	OFF	OFF	Standby mode (circuits off)

X: H or L

### Pin Functions

Pin No.	Pin	Pin function
1	OA	Output
14	OB	Output
4	VHS	High side current sensing (Insert an external resistor between VM and VHS. When the voltage across this resistor reaches 0.5 V, the outputs are turned off.)
2	VLS	Low side current sensing (Insert an external resistor between VLS and ground. When the voltage across this resistor reaches 0.5 V, the outputs are turned off.)
7	C	Connection for an external filter capacitor that prevents incorrect operation of the current sensing output shutdown and thermal shutdown circuits.
3	VM	Motor system power supply
5	V <sub>CC</sub>	Logic system power supply
9	PHASE	Forward/reverse switching pin
10	BRAKE	Brake control input. A high input switches the IC to brake mode.
6	ST	Standby mode control. The IC operates in standby mode when this pin is low or open.
8	PWM	PWM input. High: on Low: off
12	R	Low side drive current switching. (Short R to V <sub>CC</sub> when V <sub>CC</sub> is 3.3 V, and leave R open when V <sub>CC</sub> = 5.0 V.)
11	GND	Ground
13	DiGND	Lower side regeneration diode ground connection

### High/Low Short Protection Function

This function turns the outputs off to prevent destruction of the IC if a problem such as an output pin being shorted to VM or ground occurs and excessive current flows in the output transistors.

When an excessive current flows in an output transistor, a potential will occur across either the high side or the low side current sense resistor. If that value exceeds the current detection threshold voltage, the capacitor connected to the C pin starts to charge. Then, when the C pin voltage is charged to the output off threshold voltage, the output transistors are turned off.

To restart the IC once it has gone to the output off state, either set the ST pin to the low level, or temporarily cut the  $V_{CC}$  power supply, and then reapply power.

The overcurrent detection current setting can be set to an arbitrary level with the resistor inserted between VM and VHS for current flowing in the high side output transistor, and with the resistor inserted between VLS and ground for current flowing in the low side output transistor.

When the resistor connected to VHS or VLS pin is  $R$  ( $\Omega$ ), the detected current  $I$  (A) will be as follows.

$$I \text{ (A)} = 0.5 \text{ (V)} / R \text{ (\Omega)}$$

For example, if  $R$  is  $0.25 \Omega$ , the detected current  $I$  will be 2 A.

This function is not an output current limiter function.

The detection current described above has the meaning that the short-circuit protection circuit begins to operate when a current in excess of the detection current flows in the outputs. Therefore, if an output pin is shorted to VM or ground, the maximum possible overcurrent that the output transistors are capable of will flow until the mask time set with the filter circuit has elapsed. Designers must exert great care in designing the mask time setting.

### Filter Circuit

To prevent the overcurrent protection and thermal shutdown circuits from operating incorrectly due to noise, the LB11651 includes a circuit that sets a mask time so that when an abnormality is detected, it only turns the outputs off if that state continues for a certain length of time.

When the capacitor connected between the C pin and ground is  $C$  (pF), the mask time  $T$  ( $\mu\text{s}$ ) will be as follows.

$$T \text{ (\mu s)} = 2.6 \times 10^{-2} \times C \text{ (pF)}$$

For example, if  $C$  is 50 pF, the mask time  $T$  will be 1.3  $\mu\text{s}$ .

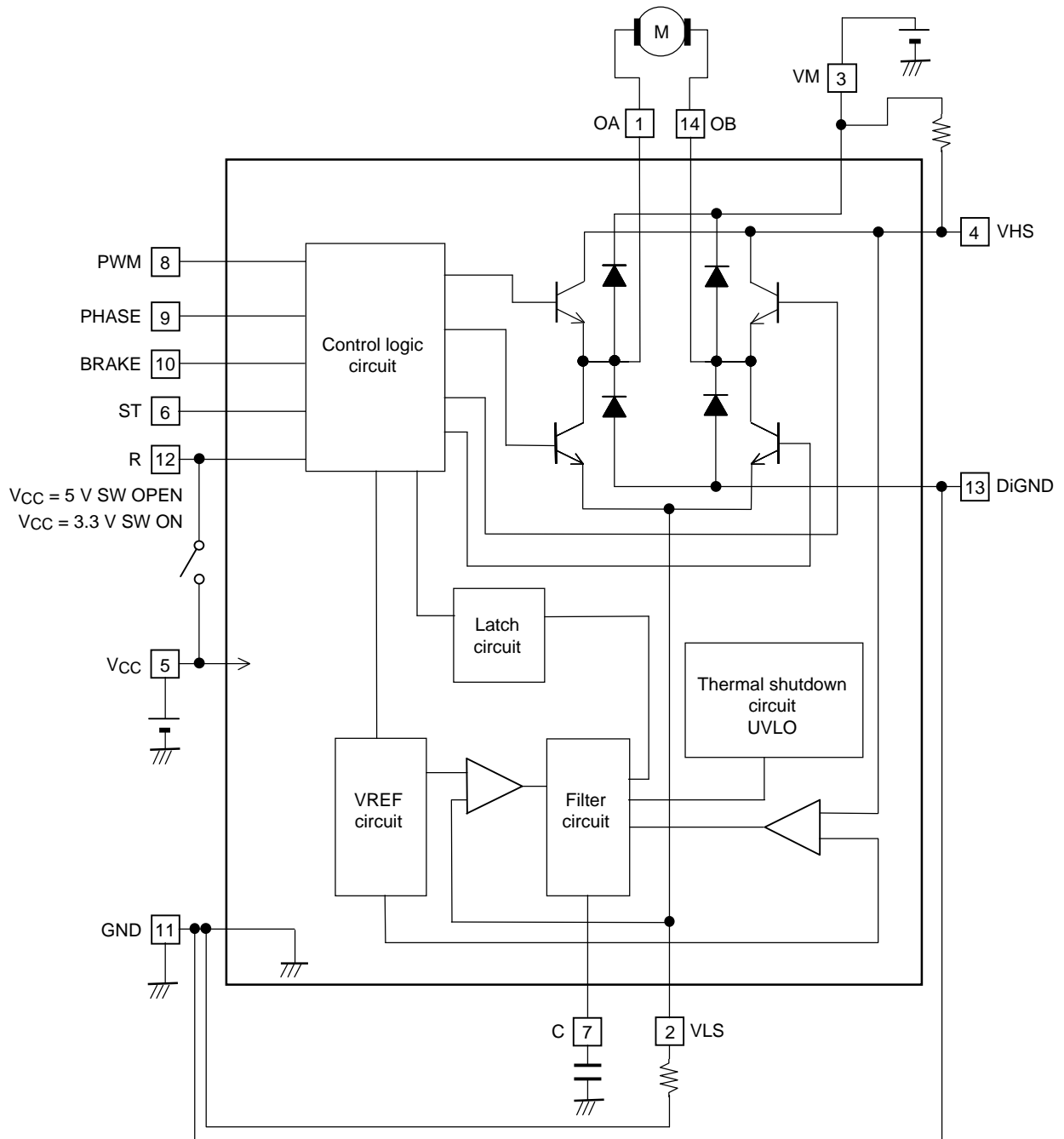
### Low Side Transistor Drive Current Switching Pin

Since the lower side output transistor drive current is created from  $V_{CC}$ , if the  $V_{CC}$  power supply level is reduced, the drive current will also be reduced. Therefore, the LB11651 is provided with a pin for switching the drive current so that the LB11651 can provide the same drive current when used with 3.3 V specifications as it does when used with 5 V specifications.

When  $V_{CC} = 5 \text{ V}$ : Leave the R pin open.

When  $V_{CC} = 3.3 \text{ V}$ : Short the R pin to  $V_{CC}$ .

Block Diagram



ON Semiconductor and the ON logo are registered trademarks of Semiconductor Components Industries, LLC (SCILLC). SCILLC owns the rights to a number of patents, trademarks, copyrights, trade secrets, and other intellectual property. A listing of SCILLC's product/patent coverage may be accessed at [www.onsemi.com/site/pdf/Patent-Marking.pdf](http://www.onsemi.com/site/pdf/Patent-Marking.pdf). SCILLC reserves the right to make changes without further notice to any products herein. SCILLC makes no warranty, representation or guarantee regarding the suitability of its products for any particular purpose, nor does SCILLC assume any liability arising out of the application or use of any product or circuit, and specifically disclaims any and all liability, including without limitation special, consequential or incidental damages. "Typical" parameters which may be provided in SCILLC data sheets and/or specifications can and do vary in different applications and actual performance may vary over time. All operating parameters, including "Typicals" must be validated for each customer application by customer's technical experts. SCILLC does not convey any license under its patent rights nor the rights of others. SCILLC products are not designed, intended, or authorized for use as components in systems intended for surgical implant into the body, or other applications intended to support or sustain life, or for any other application in which the failure of the SCILLC product could create a situation where personal injury or death may occur. Should Buyer purchase or use SCILLC products for any such unintended or unauthorized application, Buyer shall indemnify and hold SCILLC and its officers, employees, subsidiaries, affiliates, and distributors harmless against all claims, costs, damages, and expenses, and reasonable attorney fees arising out of, directly or indirectly, any claim of personal injury or death associated with such unintended or unauthorized use, even if such claim alleges that SCILLC was negligent regarding the design or manufacture of the part. SCILLC is an Equal Opportunity/Affirmative Action Employer. This literature is subject to all applicable copyright laws and is not for resale in any manner.