

## Discovery kit for the ST25DV-PWM NFC/RFID tag IC

Data brief



### Features

- Ready-to-use printed circuit board with:
  - ST25DV02K-W2 NFC/RFID tag IC in SO8N ECOPACK2<sup>®</sup> package
  - 22 x 38 mm<sup>2</sup> single layer inductive antenna, etched on the PCB
  - Two LEDs illustrating duty cycle of PWM outputs
- Contactless interface
  - Based on ISO/IEC 15693 and NFC Forum Type 5
  - 28.5 pF internal tuning capacitance

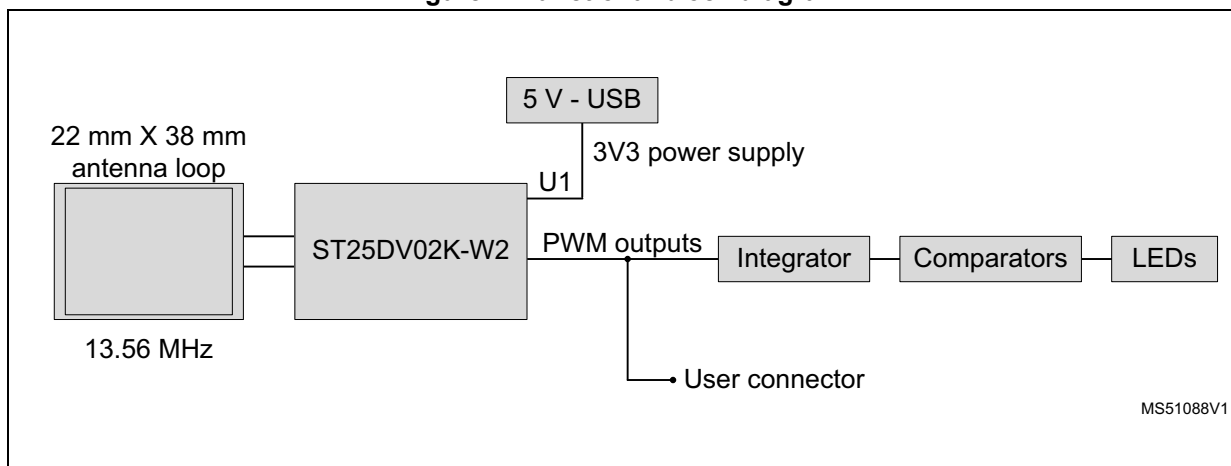
- Memory and data protection
  - 2-Kbit EEPROM
  - Up to four independent areas
  - TruST25<sup>™</sup> digital signature mechanism for authentication
- FCC verified
- RoHS compliant

### Description

The ST25DV-PWM-eSET is a dynamic NFC tag evaluation board based on the ST25DV02K-W2 device, an NFC/RFID tag IC with PWM outputs embedding a 2-Kbit EEPROM that can be partitioned for use-case flexibility.

The PWM output can be programmed independently and securely, allowing the user to address a large number of applications. The IC provides live update of PWM parameters by contactless interface, extending the user experience. The device can be operated from a 13.56 MHz RFID reader or by any NFC mobile phone. The contactless interface is based on ISO/IEC 15693 and NFC Forum Type 5 tag standards.

Figure 1. Functional block diagram



## Revision history

**Table 1. Document revision history**

Date	Revision	Changes
07-Sep-2018	1	Initial release.

**IMPORTANT NOTICE – PLEASE READ CAREFULLY**

STMicroelectronics NV and its subsidiaries ("ST") reserve the right to make changes, corrections, enhancements, modifications, and improvements to ST products and/or to this document at any time without notice. Purchasers should obtain the latest relevant information on ST products before placing orders. ST products are sold pursuant to ST's terms and conditions of sale in place at the time of order acknowledgement.

Purchasers are solely responsible for the choice, selection, and use of ST products and ST assumes no liability for application assistance or the design of Purchasers' products.

No license, express or implied, to any intellectual property right is granted by ST herein.

Resale of ST products with provisions different from the information set forth herein shall void any warranty granted by ST for such product.

ST and the ST logo are trademarks of ST. All other product or service names are the property of their respective owners.

Information in this document supersedes and replaces information previously supplied in any prior versions of this document.

© 2018 STMicroelectronics – All rights reserved

