



Is Now Part of



**ON Semiconductor®**

To learn more about ON Semiconductor, please visit our website at  
[www.onsemi.com](http://www.onsemi.com)

Please note: As part of the Fairchild Semiconductor integration, some of the Fairchild orderable part numbers will need to change in order to meet ON Semiconductor's system requirements. Since the ON Semiconductor product management systems do not have the ability to manage part nomenclature that utilizes an underscore (  ), the underscore (  ) in the Fairchild part numbers will be changed to a dash (-). This document may contain device numbers with an underscore (  ). Please check the ON Semiconductor website to verify the updated device numbers. The most current and up-to-date ordering information can be found at [www.onsemi.com](http://www.onsemi.com). Please email any questions regarding the system integration to [Fairchild\\_questions@onsemi.com](mailto:Fairchild_questions@onsemi.com).

ON Semiconductor and the ON Semiconductor logo are trademarks of Semiconductor Components Industries, LLC dba ON Semiconductor or its subsidiaries in the United States and/or other countries. ON Semiconductor owns the rights to a number of patents, trademarks, copyrights, trade secrets, and other intellectual property. A listing of ON Semiconductor's product/patent coverage may be accessed at [www.onsemi.com/site/pdf/Patent-Marking.pdf](http://www.onsemi.com/site/pdf/Patent-Marking.pdf). ON Semiconductor reserves the right to make changes without further notice to any products herein. ON Semiconductor makes no warranty, representation or guarantee regarding the suitability of its products for any particular purpose, nor does ON Semiconductor assume any liability arising out of the application or use of any product or circuit, and specifically disclaims any and all liability, including without limitation special, consequential or incidental damages. Buyer is responsible for its products and applications using ON Semiconductor products, including compliance with all laws, regulations and safety requirements or standards, regardless of any support or applications information provided by ON Semiconductor. "Typical" parameters which may be provided in ON Semiconductor data sheets and/or specifications can and do vary in different applications and actual performance may vary over time. All operating parameters, including "Typicals" must be validated for each customer application by customer's technical experts. ON Semiconductor does not convey any license under its patent rights nor the rights of others. ON Semiconductor products are not designed, intended, or authorized for use as a critical component in life support systems or any FDA Class 3 medical devices or medical devices with a same or similar classification in a foreign jurisdiction or any devices intended for implantation in the human body. Should Buyer purchase or use ON Semiconductor products for any such unintended or unauthorized application, Buyer shall indemnify and hold ON Semiconductor and its officers, employees, subsidiaries, affiliates, and distributors harmless against all claims, costs, damages, and expenses, and reasonable attorney fees arising out of, directly or indirectly, any claim of personal injury or death associated with such unintended or unauthorized use, even if such claim alleges that ON Semiconductor was negligent regarding the design or manufacture of the part. ON Semiconductor is an Equal Opportunity/Affirmative Action Employer. This literature is subject to all applicable copyright laws and is not for resale in any manner.

## MM74HC174 — Hex D-Type Flip-Flops with Clear

### Features


- Typical Propagation Delay: 16ns
- Wide Operating Voltage Range: 2V–6V
- Low Input Current: 1μA maximum
- Low Quiescent Current: 80μA (74HC Series)
- Output Drive: 10 LSTTL Loads

### Description

The MM74HC174 edge-triggered flip-flops utilize silicon-gate CMOS technology to implement D-type flip-flops. They possess high noise immunity, low-power, and speeds comparable to low-power Schottky TTL circuits. This device contains six master-slave flip-flops with a common clock and common clear. Data on the D input with the specified setup and hold times is transferred to the Q output on the LOW-to-HIGH transition of the CLOCK input. When LOW, the input sets all outputs to a LOW state.

Each output can drive ten low-power Schottky TTL equivalent loads. The MM74HC174 is functionally and pin comparable to the 74LS174. All inputs are protected from damage due to static discharge by diodes to V<sub>CC</sub> and ground.

### Ordering Information

Part Number	Operating Temperature Range	 Eco Status	Package	Packing Method
MM74HC174M	-40 to +85°C	RoHS	16-Lead Small Outline Integrated Circuit (SOIC), JEDEC MS-012, 0.150 Inch Narrow	Tubes
MM74HC174MX	-40 to +85°C			Tape and Reel
MM74HC174MTC	-40 to +85°C	RoHS	16-Lead Thin Shrink Small Outline Package (TSSOP), JEDEC MO-153, 4.4mm Wide	Tubes
MM74HC174MTCX	-40 to +85°C			Tape and Reel
MM74HC174N	-40 to +85°C	RoHS	16-Lead Plastic Dual-In-Line Package (PDIP), JEDEC MS-001, 0.300 Inch Wide	Tubes

 For Fairchild's definition of "green" Eco Status, please visit: [http://www.fairchildsemi.com/company/green/rohs\\_green.html](http://www.fairchildsemi.com/company/green/rohs_green.html).

### Pin Configuration

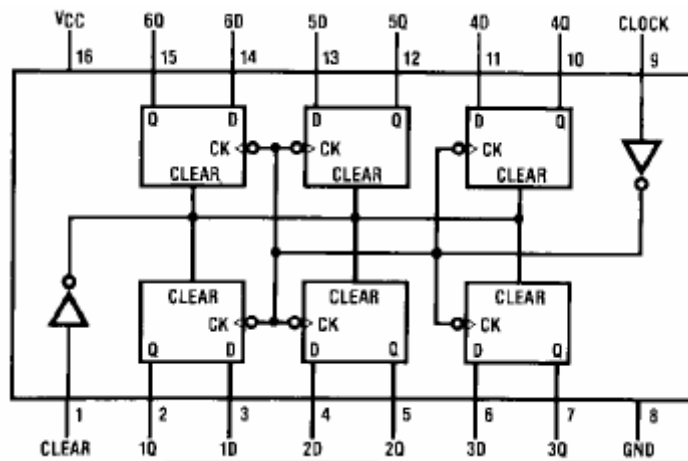


Figure 1. Pin Configuration (Top View)

### Truth Table (Each Flip-Flop)

Inputs			Output
Clear	Clock	D	Q
LOW	Don't Care	Don't Care	LOW
HIGH	↑ <sup>(1)</sup>	HIGH	HIGH
HIGH	↑ <sup>(1)</sup>	LOW	LOW
HIGH	LOW	Don't Care	Q <sub>0</sub> <sup>(2)</sup>

**Notes:**

1. Transition from LOW to HIGH level.
2. The level of Q before the indicated steady-state input conditions were established.

### Logic Diagram

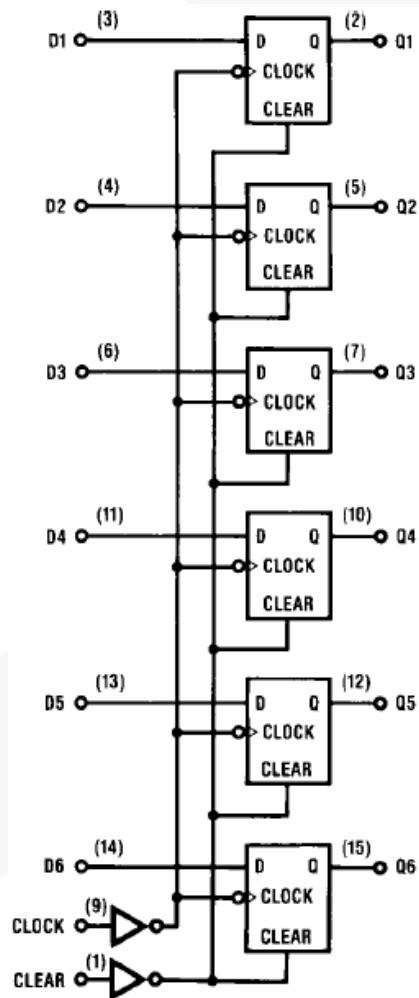


Figure 2. Logic Diagram

## Absolute Maximum Ratings

Stresses exceeding the absolute maximum ratings may damage the device. The device may not function or be operable above the recommended operating conditions and stressing the parts to these levels is not recommended. In addition, extended exposure to stresses above the recommended operating conditions may affect device reliability. The absolute maximum ratings are stress ratings only. Unless otherwise noted, all voltages are referenced to ground.

Symbol	Parameter	Min.	Max.	Unit
$V_{CC}$	Supply Voltage	-0.5	+7.0	V
$V_{IN}$	DC Input Voltage	-1.5 to $V_{CC}$	+1.5	V
$V_{OUT}$	DC Output Voltage	-0.5 to $V_{CC}$	+0.5	V
$I_{IK}, I_{OK}$	Clamp Diode Current		$\pm 20$	mA
$I_{OUT}$	DC Output Current, per Pin		$\pm 25$	mA
$I_{CC}$	DC $V_{CC}$ or GND Current, per Pin		$\pm 50$	mA
$T_{STG}$	Storage Temperature Range	-65	+150	$^{\circ}\text{C}$
$P_D$	Power Dissipation <sup>(3)</sup>	TSSOP, PDIP	600	mW
		SOIC	500	
$T_L$	Lead Temperature, Soldering 10 Seconds		260	$^{\circ}\text{C}$

### Notes:

- Power dissipation temperature derating— plastic “N” package: 12mW/ $^{\circ}\text{C}$  from 65 $^{\circ}$  to 85 $^{\circ}\text{C}$ .

## Recommended Operating Conditions

The Recommended Operating Conditions table defines the conditions for actual device operation. Recommended operating conditions are specified to ensure optimal performance to the datasheet specifications. Fairchild does not recommend exceeding them or designing to Absolute Maximum Ratings.

Symbol	Parameter	Conditions	Min.	Max.	Unit
$V_{CC}$	Supply Voltage		2	6	V
$V_{IN}, V_{OUT}$	DC Input or Output Voltage		0	$V_{CC}$	V
$T_A$	Operating Temperature Range		-40	+85	$^{\circ}\text{C}$
$t_r, t_f$	Input Rise and Fall Times	$V_{CC}=2.0\text{V}$		1000	ns
		$V_{CC}=4.5\text{V}$		500	ns
		$V_{CC}=6.0\text{V}$		400	ns

DC Electrical Characteristics<sup>(4)</sup>

Symbol	Parameter	Conditions	V <sub>CC</sub> (V)	T <sub>A</sub> =25°C			T <sub>A</sub> =-55 to +125°C	Units
				Typ.	Guaranteed Limits			
V <sub>IH</sub>	Minimum HIGH Level Input		2.0		1.5	1.5	1.5	V
			4.5		3.15	3.15	3.15	
			6.0		4.2	4.2	4.2	
V <sub>IL</sub>	Minimum LOW Level Input		2.0		0.5	0.5	0.5	V
			4.5		1.35	1.35	1.35	
			6.0		1.8	1.8	1.8	
V <sub>OH</sub>	Minimum HIGH Level Output Voltage	V <sub>IN</sub> =V <sub>IH</sub> or V <sub>IL</sub> ,  I <sub>OUT</sub>   ≤ 20μA	2.0	2.0	1.9	1.9	1.9	V
			4.5	4.5	4.4	4.4	4.4	
			6.0	6.0	5.9	5.9	5.9	
V <sub>OL</sub>	Minimum LOW Level Output Voltage	V <sub>IN</sub> =V <sub>IH</sub> or V <sub>IL</sub> ,  I <sub>OUT</sub>   ≤ 4.0mA	4.5	4.20	3.98	3.84	3.70	V
			6.0	5.70	5.48	5.34	5.20	
			2.0	0	0.1	0.1	0.1	
V <sub>OL</sub>	Minimum LOW Level Output Voltage	V <sub>IN</sub> =V <sub>IH</sub> or V <sub>IL</sub> ,  I <sub>OUT</sub>   ≤ 20μA	4.5	0	0.1	0.1	0.1	V
			6.0	0	0.1	0.1	0.1	
			4.5	00.2	0.26	0.33	0.40	
V <sub>OL</sub>	Minimum LOW Level Output Voltage	V <sub>IN</sub> =V <sub>IH</sub> or V <sub>IL</sub> ,  I <sub>OUT</sub>   ≤ 5.2mA	6.0	0.20	0.26	0.33	0.40	V
			2.0	0	0.1	0.1	0.1	
I <sub>IN</sub>	Maximum Input Current	V <sub>IN</sub> =V <sub>CC</sub> or GND	6.0		±0.1	±1.0	±1.0	μA
I <sub>CC</sub>	Maximum Quiescent Supply Current	V <sub>IN</sub> =V <sub>CC</sub> or GND, I <sub>OUT</sub> =0μA	6.0		8	80	160	μA

**Note:**

4. For a power supply of 5V ±10%, the worst-case output voltages (V<sub>OH</sub> and V<sub>OL</sub>) occur for HC at 4.5V. The 4.5V values should be used when designing with this supply. Worst-case V<sub>IH</sub> and V<sub>IL</sub> occur at V<sub>CC</sub> = 5.5V and 4.5V, respectively. (The V<sub>IH</sub> value at 5.5V is 3.85V.) The worst-case leakage current (I<sub>IN</sub>, I<sub>CC</sub>, and I<sub>OZ</sub>) occurs for CMOS at the higher voltage, so the 6.0V values should be used.

**AC Electrical Characteristics** $V_{CC} = 5V$ ,  $T_A = 25^\circ C$  and  $C_L = 15pF$ ,  $t_r = t_f = 6ns$ .

Symbol	Parameter	Typ.	Guaranteed Limit	Unit
$f_{MAX}$	Maximum Operating Frequency	50	30	MHz
$t_{PHL}, t_{PLH}$	Maximum Propagation Delay, Clock, or Clear to Output	16	30	ns
$t_{REM}$	Minimum Removal Time, Clear to Clock	-2	5	ns
$t_S$	Minimum Setup Time, Data to Clock	10	20	ns
$t_H$	Minimum Hold Time, Clock to Data	0	5	ns
$t_W$	Minimum Pulsewidth, Clock or Clear	10	16	ns

**AC Electrical Characteristics<sup>(5)</sup>** $C_L = 50pF$ ,  $t_r = t_f = 6ns$  unless otherwise noted.

Symbol	Parameter	$V_{CC}$ (V)	$T_A = 25^\circ C$		$T_A = -40$	$T_A = -55$ to	Units
			Typ.	Guaranteed Limits			
$f_{MAX}$	Maximum Operating Frequency	2.0		5	4	3	MHz
		4.5		27	21	18	
		6.0		31	24	20	
$t_{PHL}, t_{PLH}$	Maximum Propagation Delay, Clock, or Clear to Output	2.0	55	165	206	248	ns
		4.5	18	33	41	49	
		6.0	16	28	35	42	
$t_{REM}$	Minimum Setup Time, Data to Clock	2.0	1	5	5	5	ns
		4.5	1	5	5	5	
		6.0	1	5	5	5	
$t_S$	Minimum Setup Time, Data to Clock	2.0	42	100	125	150	ns
		4.5	12	20	25	30	
		6.0	10	17	21	25	
$t_H$	Minimum Hold Time, Clock to Data	2.0	1	5	5	5	ns
		4.5	1	5	5	5	
		6.0	1	5	5	5	
$t_W$	Minimum Pulse Width, Clock or Clear	2.0	35	80	106	120	ns
		4.5	10	16	20	24	
		6.0	8	14	18	20	
$t_{TLH}, t_{THL}$	Maximum Output Rise and Fall Time	2.0	30	75	95	110	ns
		4.5	8	15	19	22	
		6.0	7	13	16	19	
$t_r, t_f$	Maximum Input Rise and Fall Time	2.0		1000	1000	1000	ns
		4.5		500	500	500	
		6.0		400	400	400	
$C_{PD}$	Power Dissipation Capacitance <sup>(5)</sup> (per Package)		136				pF
$C_{IN}$	Maximum Input Capacitance		5	10	10	10	pF

**Note:**

5.  $C_{PD}$  determines the no-load dynamic power consumption,  $P_D = C_{PD} V_{CC}^2 f + I_{CC} V_{CC}$ , and the no-load dynamic current consumption,  $I_S = C_{PD} V_{CC} f + I_{CC}$ .

AC Waveforms

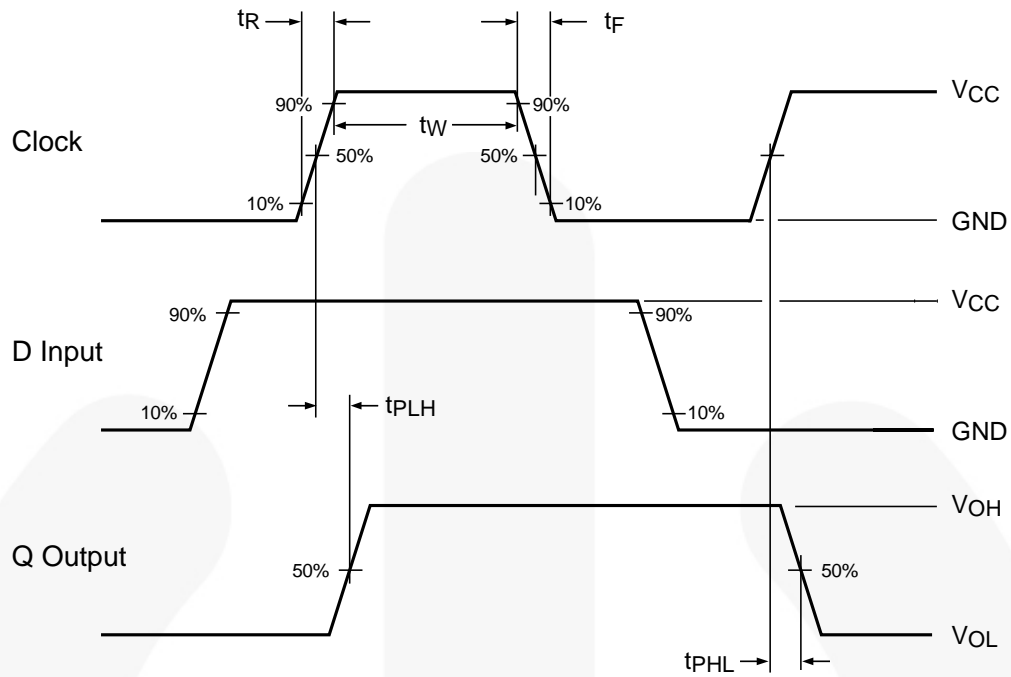


Figure 3. AC Waveform

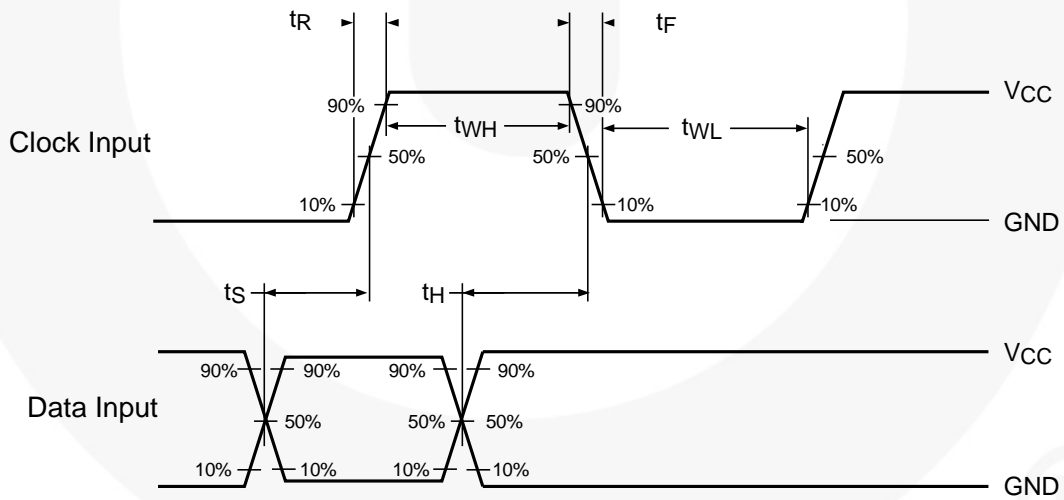


Figure 4. AC Waveform

Physical Dimensions

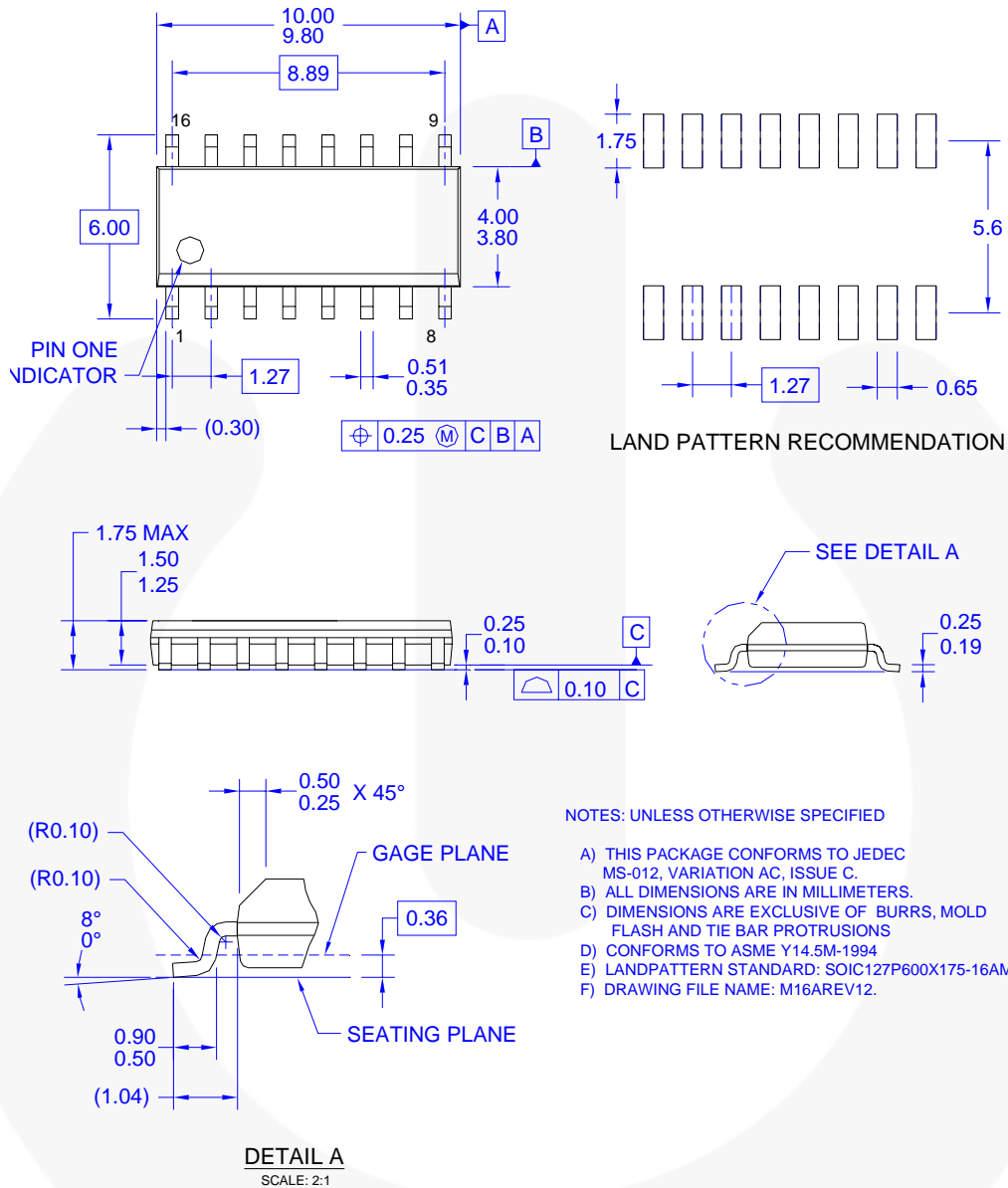


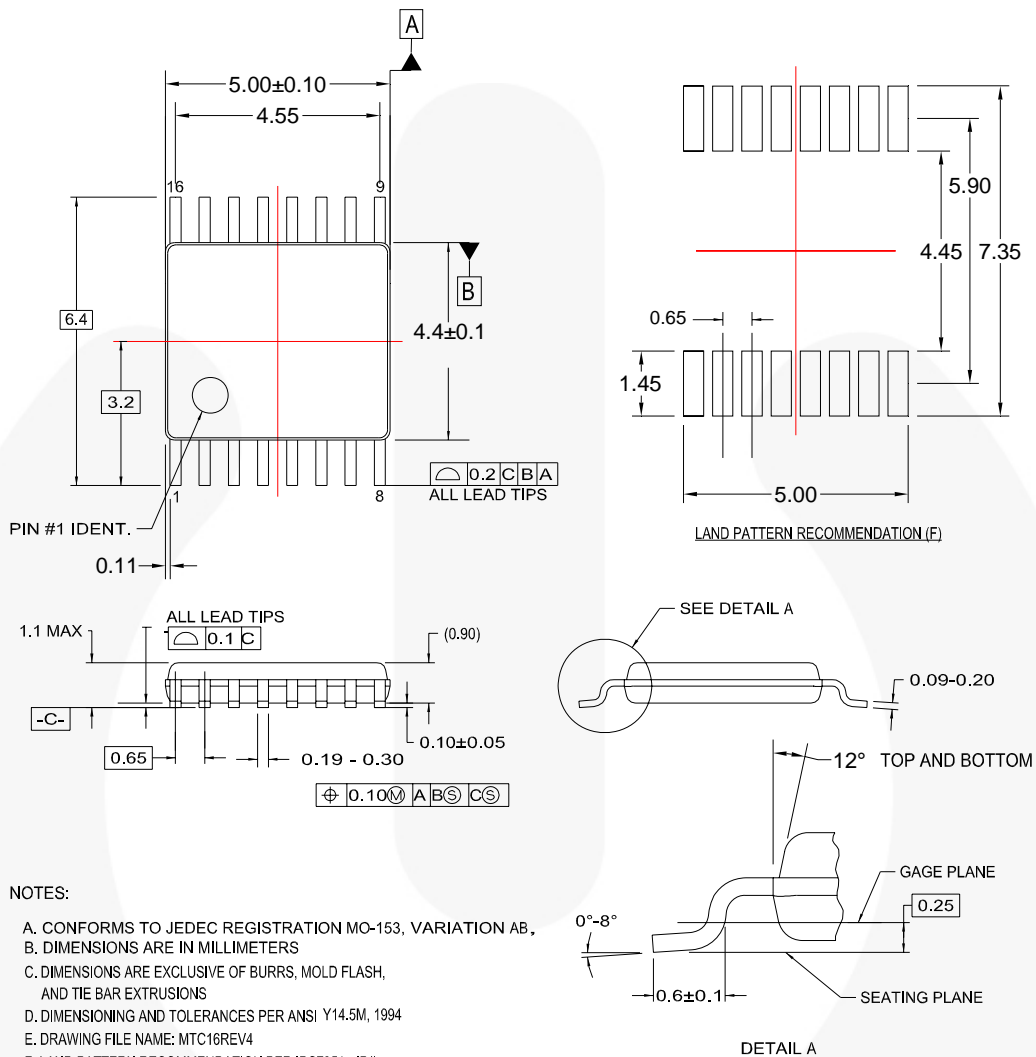
Figure 5. 16-Lead, Small Outline Integrated Circuit (SOIC)

Package drawings are provided as a service to customers considering Fairchild components. Drawings may change in any manner without notice. Please note the revision and/or date on the drawing and contact a Fairchild Semiconductor representative to verify or obtain the most recent revision. Package specifications do not expand the terms of Fairchild's worldwide terms and conditions, specifically the warranty therein, which covers Fairchild products.

Always visit Fairchild Semiconductor's online packaging area for the most recent package drawings:  
<http://www.fairchildsemi.com/packaging/>



## Physical Dimensions



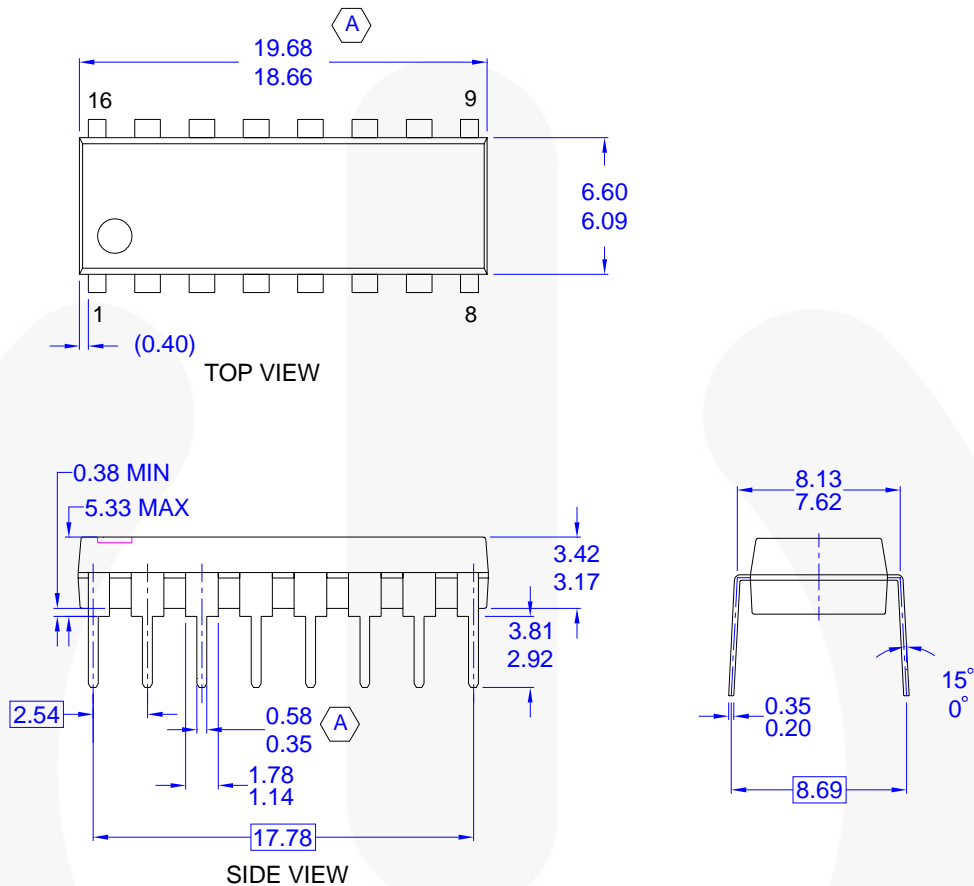
MTC16rev4

Figure 6. 16-Lead Thin Shrink Small Outline Package (TSSOP)

Package drawings are provided as a service to customers considering Fairchild components. Drawings may change in any manner without notice. Please note the revision and/or date on the drawing and contact a Fairchild Semiconductor representative to verify or obtain the most recent revision. Package specifications do not expand the terms of Fairchild's worldwide terms and conditions, specifically the warranty therein, which covers Fairchild products.

Always visit Fairchild Semiconductor's online packaging area for the most recent package drawings:  
<http://www.fairchildsemi.com/packaging/>.

## Physical Dimensions



NOTES: UNLESS OTHERWISE SPECIFIED

- A) THIS PACKAGE CONFORMS TO JEDEC MS-001 VARIATION BB
- B) ALL DIMENSIONS ARE IN MILLIMETERS.
- C) DIMENSIONS ARE EXCLUSIVE OF BURRS, MOLD FLASH, AND TIE BAR PROTRUSIONS
- D) CONFORMS TO ASME Y14.5M-1994
- E) DRAWING FILE NAME: N16EREV1

**Figure 7. 16-Lead Plastic Dual-In-Line Package (PDIP)**

Package drawings are provided as a service to customers considering Fairchild components. Drawings may change in any manner without notice. Please note the revision and/or date on the drawing and contact a Fairchild Semiconductor representative to verify or obtain the most recent revision. Package specifications do not expand the terms of Fairchild's worldwide terms and conditions, specifically the warranty therein, which covers Fairchild products.

Always visit Fairchild Semiconductor's online packaging area for the most recent package drawings:  
<http://www.fairchildsemi.com/packaging/>.



**TRADEMARKS**

The following includes registered and unregistered trademarks and service marks, owned by Fairchild Semiconductor and/or its global subsidiaries, and is not intended to be an exhaustive list of all such trademarks.

- |                          |                           |                                       |  |
|--------------------------|---------------------------|---------------------------------------|--|
| Build it Now™            | FRFET®                    | Programmable Active Droop™            |  |
| CorePLUS™                | Global Power Resource™ SM | QFET®                                 |  |
| CorePOWER™               | Green FPST™               | QS™                                   |  |
| CROSSVOLT™               | Green FPST™ e-Series™     | Quiet Series™                         |  |
| CTL™                     | GTO™                      | RapidConfigure™                       |  |
| Current Transfer Logic™  | IntelliMAX™               | ™                                     |  |
| EcoSPARK®                | ISOPLANAR™                | Saving our world, 1mW/W/kW at a time™ |  |
| EfficientMax™            | MegaBuck™                 | SmartMax™                             |  |
| EZSWTCH™ *               | MICROCOUPLER™             | SMART START™                          |  |
| ™                        | MicroFET™                 | SPM®                                  |  |
| ™                        | MicroPak™                 | STEALTH™                              |  |
| Fairchild®               | MillerDrive™              | SuperFET™                             |  |
| Fairchild Semiconductor® | MotionMax™                | SuperSOT™.3                           |  |
| FACT Quiet Series™       | Motion-SPM™               | SuperSOT™.6                           |  |
| FACT®                    | OPTOLOGIC®                | SuperSOT™.8                           |  |
| FAST®                    | OPTOPLANAR®               | SupreMOS™                             |  |
| FastvCore™               | ™                         | SyncFET™                              |  |
| FlashWriter® *           | PDP-SPM™                  | ™                                     |  |
| FPS™                     | Power-SPM™                | The Power Franchise®                  |  |
| F-PFST™                  | PowerTrench®              |                                       |  |
|                          | PowerXS™                  |                                       |  |

\* EZSWTCH™ and FlashWriter® are trademarks of System General Corporation, used under license by Fairchild Semiconductor.

**DISCLAIMER**

FAIRCHILD SEMICONDUCTOR RESERVES THE RIGHT TO MAKE CHANGES WITHOUT FURTHER NOTICE TO ANY PRODUCTS HEREIN TO IMPROVE RELIABILITY, FUNCTION, OR DESIGN. FAIRCHILD DOES NOT ASSUME ANY LIABILITY ARISING OUT OF THE APPLICATION OR USE OF ANY PRODUCT OR CIRCUIT DESCRIBED HEREIN; NEITHER DOES IT CONVEY ANY LICENSE UNDER ITS PATENT RIGHTS, NOR THE RIGHTS OF OTHERS. THESE SPECIFICATIONS DO NOT EXPAND THE TERMS OF FAIRCHILD'S WORLDWIDE TERMS AND CONDITIONS, SPECIFICALLY THE WARRANTY THEREIN, WHICH COVERS THESE PRODUCTS.

**LIFE SUPPORT POLICY**

FAIRCHILD'S PRODUCTS ARE NOT AUTHORIZED FOR USE AS CRITICAL COMPONENTS IN LIFE SUPPORT DEVICES OR SYSTEMS WITHOUT THE EXPRESS WRITTEN APPROVAL OF FAIRCHILD SEMICONDUCTOR CORPORATION.

As used herein:

1. Life support devices or systems are devices or systems which, (a) are intended for surgical implant into the body or (b) support or sustain life, and (c) whose failure to perform when properly used in accordance with instructions for use provided in the labeling, can be reasonably expected to result in a significant injury of the user.
2. A critical component in any component of a life support, device, or system whose failure to perform can be reasonably expected to cause the failure of the life support device or system, or to affect its safety or effectiveness.

**ANTI-COUNTERFEITING POLICY**

Fairchild Semiconductor Corporation's Anti-Counterfeiting Policy. Fairchild's Anti-Counterfeiting Policy is also stated on our external website, [www.fairchildsemi.com](http://www.fairchildsemi.com), under Sales Support.

Counterfeiting of semiconductor parts is a growing problem in the industry. All manufacturers of semiconductor products are experiencing counterfeiting of their parts. Customers who inadvertently purchase counterfeit parts experience many problems such as loss of brand reputation, substandard performance, failed applications, and increased cost of production and manufacturing delays. Fairchild is taking strong measures to protect ourselves and our customers from the proliferation of counterfeit parts. Fairchild strongly encourages customers to purchase Fairchild parts either directly from Fairchild or from Authorized Fairchild Distributors who are listed by country on our web page cited above. Products customers buy either from Fairchild directly or from Authorized Fairchild Distributors are genuine parts, have full traceability, meet Fairchild's quality standards for handling and storage and provide access to Fairchild's full range of up-to-date technical and product information. Fairchild and our Authorized Distributors will stand behind all warranties and will appropriately address any warranty issues that may arise. Fairchild will not provide any warranty coverage or other assistance for parts bought from Unauthorized Sources. Fairchild is committed to combat this global problem and encourage our customers to do their part in stopping this practice by buying direct or from authorized distributors.

**PRODUCT STATUS DEFINITIONS**

**Definition of Terms**

Datasheet Identification	Product Status	Definition
Advance Information	Formative / In Design	Datasheet contains the design specifications for product development. Specifications may change in any manner without notice.
Preliminary	First Production	Datasheet contains preliminary data; supplementary data will be published at a later date. Fairchild Semiconductor reserves the right to make changes at any time without notice to improve design.
No Identification Needed	Full Production	Datasheet contains final specifications. Fairchild Semiconductor reserves the right to make changes at any time without notice to improve the design.
Obsolete	Not In Production	Datasheet contains specifications on a product that is discontinued by Fairchild Semiconductor. The datasheet is for reference information only.

Rev. I37

ON Semiconductor and  are trademarks of Semiconductor Components Industries, LLC dba ON Semiconductor or its subsidiaries in the United States and/or other countries. ON Semiconductor owns the rights to a number of patents, trademarks, copyrights, trade secrets, and other intellectual property. A listing of ON Semiconductor's product/patent coverage may be accessed at [www.onsemi.com/site/pdf/Patent-Marking.pdf](http://www.onsemi.com/site/pdf/Patent-Marking.pdf). ON Semiconductor reserves the right to make changes without further notice to any products herein. ON Semiconductor makes no warranty, representation or guarantee regarding the suitability of its products for any particular purpose, nor does ON Semiconductor assume any liability arising out of the application or use of any product or circuit, and specifically disclaims any and all liability, including without limitation special, consequential or incidental damages. Buyer is responsible for its products and applications using ON Semiconductor products, including compliance with all laws, regulations and safety requirements or standards, regardless of any support or applications information provided by ON Semiconductor. "Typical" parameters which may be provided in ON Semiconductor data sheets and/or specifications can and do vary in different applications and actual performance may vary over time. All operating parameters, including "Typicals" must be validated for each customer application by customer's technical experts. ON Semiconductor does not convey any license under its patent rights nor the rights of others. ON Semiconductor products are not designed, intended, or authorized for use as a critical component in life support systems or any FDA Class 3 medical devices or medical devices with a same or similar classification in a foreign jurisdiction or any devices intended for implantation in the human body. Should Buyer purchase or use ON Semiconductor products for any such unintended or unauthorized application, Buyer shall indemnify and hold ON Semiconductor and its officers, employees, subsidiaries, affiliates, and distributors harmless against all claims, costs, damages, and expenses, and reasonable attorney fees arising out of, directly or indirectly, any claim of personal injury or death associated with such unintended or unauthorized use, even if such claim alleges that ON Semiconductor was negligent regarding the design or manufacture of the part. ON Semiconductor is an Equal Opportunity/Affirmative Action Employer. This literature is subject to all applicable copyright laws and is not for resale in any manner.

## PUBLICATION ORDERING INFORMATION

### LITERATURE FULFILLMENT:

Literature Distribution Center for ON Semiconductor  
19521 E. 32nd Pkwy, Aurora, Colorado 80011 USA  
**Phone:** 303-675-2175 or 800-344-3860 Toll Free USA/Canada  
**Fax:** 303-675-2176 or 800-344-3867 Toll Free USA/Canada  
**Email:** [orderlit@onsemi.com](mailto:orderlit@onsemi.com)

**N. American Technical Support:** 800-282-9855 Toll Free  
USA/Canada  
**Europe, Middle East and Africa Technical Support:**  
Phone: 421 33 790 2910  
**Japan Customer Focus Center**  
Phone: 81-3-5817-1050

**ON Semiconductor Website:** [www.onsemi.com](http://www.onsemi.com)  
**Order Literature:** <http://www.onsemi.com/orderlit>  
For additional information, please contact your local  
Sales Representative