

REVISIONS

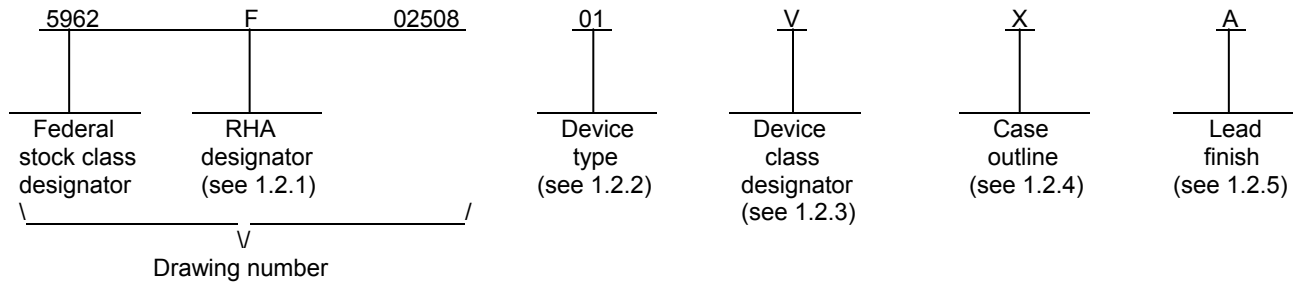
LTR	DESCRIPTION	DATE (YR-MO-DA)	APPROVED
A	Correct case outline X as non-standard case outline. Change Radiation Hardness Assurance (RHA) level to R. Change V_{OLV} , t_{PHL1} , t_{PLH1} , t_{PLZ1} , t_{PHZ1} , t_{PLZ2} , and t_{PHZ2} maximum limits in table I to adapt the RHA level R. Make change to footnote 3/ in table I. Editorial changes throughout. - TVN	03-10-17	Thomas M. Hess
B	Add device type 02. Correct DC input voltage range (V_{IN}) and lead temperature in section 1.3. Correct input voltage range (V_{IN}) in note 5 of figure 6, switching waveforms and test circuit. Update the boilerplate to the requirements of MIL-PRF-38535. Editorial changes throughout. - TVN	06-06-01	Thomas M. Hess
C	Change Radiation Hardness Assurance (RHA) level to F. - TVN	07-02-09	Thomas M. Hess

REV																				
SHEET																				
REV	B	B	B	B	B	C	B													
SHEET	15	16	17	18	19	20	21													
REV STATUS OF SHEETS	REV			C	C	C	B	B	B	B	B	C	B	B	B	B	B			
	SHEET			1	2	3	4	5	6	7	8	9	10	11	12	13	14			
PMIC N/A	PREPARED BY Thanh V. Nguyen						DEFENSE SUPPLY CENTER COLUMBUS COLUMBUS, OHIO 43218-3990 http://www.dscc.dla.mil													
STANDARD MICROCIRCUIT DRAWING THIS DRAWING IS AVAILABLE FOR USE BY ALL DEPARTMENTS AND AGENCIES OF THE DEPARTMENT OF DEFENSE AMSC N/A	CHECKED BY Thanh V. Nguyen																			
	APPROVED BY Thomas M. Hess						MICROCIRCUIT, DIGITAL, LOW VOLTAGE CMOS, 16-BIT BUS TRANSCEIVER WITH BUS HOLD AND THREE-STATE OUTPUTS, MONOLITHIC SILICON													
	DRAWING APPROVAL DATE 03-06-05																			
	REVISION LEVEL C						SIZE A	CAGE CODE 67268	5962-02508											
						SHEET 1 OF 21														

1. SCOPE

1.1 Scope. This drawing documents two product assurance class levels consisting of high reliability (device classes Q and M) and space application (device class V). A choice of case outlines and lead finishes are available and are reflected in the Part or Identifying Number (PIN). When available, a choice of Radiation Hardness Assurance (RHA) levels are reflected in the PIN.

1.2 PIN. The PIN is as shown in the following example:



1.2.1 RHA designator. Device classes Q and V RHA marked devices meet the MIL-PRF-38535 specified RHA levels and are marked with the appropriate RHA designator. Device class M RHA marked devices meet the MIL-PRF-38535, appendix A specified RHA levels and are marked with the appropriate RHA designator. A dash (-) indicates a non-RHA device.

1.2.2 Device type(s). The device type(s) identify the circuit function as follows:

<u>Device type</u>	<u>Generic number</u>	<u>Circuit function</u>
01	54VCXH162245	16-bit bus transceiver with bus hold, series output resistors on A side, and three-state outputs
02	54VCXH162245	16-bit bus transceiver with bus hold, series output resistors on A side, and three-state outputs

1.2.3 Device class designator. The device class designator is a single letter identifying the product assurance level as follows:

<u>Device class</u>	<u>Device requirements documentation</u>
M	Vendor self-certification to the requirements for MIL-STD-883 compliant, non-JAN class level B microcircuits in accordance with MIL-PRF-38535, appendix A
Q or V	Certification and qualification to MIL-PRF-38535

1.2.4 Case outline(s). The case outline(s) are as designated in MIL-STD-1835 and as follows:

<u>Outline letter</u>	<u>Descriptive designator</u>	<u>Terminals</u>	<u>Package style</u>
X	See figure 1	48	Flat pack

1.2.5 Lead finish. The lead finish is as specified in MIL-PRF-38535 for device classes Q and V or MIL-PRF-38535, appendix A for device class M.

STANDARD MICROCIRCUIT DRAWING DEFENSE SUPPLY CENTER COLUMBUS COLUMBUS, OHIO 43218-3990	SIZE A		5962-02508
		REVISION LEVEL C	SHEET 2

1.3 Absolute maximum ratings. 1/ 2/ 3/

Supply voltage range (V_{CC})	-0.5 V dc to +4.6 V dc
DC input voltage range (V_{IN})	-0.5 V dc to +4.6 V dc
DC output voltage range (V_{OUT})	-0.5 V dc to $V_{CC} + 0.5$ V dc
DC input/output clamp current (I_{IK}, I_{OK})	± 50 mA
DC output current (per pin) (I_{OUT})	± 50 mA
DC V_{CC} or GND current (per output pin) (I_{CC}, I_{GND})	± 100 mA
Maximum power dissipation (P_D)	400 mW
Storage temperature range (T_{STG})	-65°C to +150°C
Lead temperature (soldering, 10 seconds)	+260°C
Thermal resistance, junction-to-case (θ_{JC})	22°C/W
Junction temperature (T_J)	+150°C 4/

1.4 Recommended operating conditions. 2/ 3/

Supply voltage range (V_{CC}):	
Device type 01	+2.3 V dc to +3.6 V dc
Device type 02	+1.8 V dc to +3.6 V dc
Input voltage range (V_{IN})	-0.3 V dc to +3.6 V dc
Output voltage range (V_{OUT})	+0.0 V dc to V_{CC}
Maximum high level output current (I_{OH}):	
A side:	
$V_{CC} = 1.8$ V (device type 02)	-4 mA
$V_{CC} = 2.3$ V to 2.7 V	-8 mA
$V_{CC} = 3.0$ V to 3.6 V	-12 mA
B side:	
$V_{CC} = 1.8$ V (device type 02)	-6 mA
$V_{CC} = 2.3$ V to 2.7 V	-18 mA
$V_{CC} = 3.0$ V to 3.6 V	-24 mA
Maximum low level output current (I_{OL}):	
A side:	
$V_{CC} = 1.8$ V (device type 02)	+4 mA
$V_{CC} = 2.3$ V to 2.7 V	+8 mA
$V_{CC} = 3.0$ V to 3.6 V	+12 mA
B side:	
$V_{CC} = 1.8$ V (device type 02)	+6 mA
$V_{CC} = 2.3$ V to 2.7 V	+18 mA
$V_{CC} = 3.0$ V to 3.6 V	+24 mA
Input rise or fall time rate ($\Delta t/\Delta V$):	
$V_{CC} = 3.0$ V	0 to 10 ns/V
Case operating temperature range (T_C)	-55°C to +125°C

1.5 Radiation features.

Total dose (dose rate = 50 – 300 rads (Si)/s)	300 krad (Si)
Single Event Latch-up (SEL) or Single Event Upset (SEU)	≥ 72 MeV-cm ² /mg

- 1/ Stresses above the absolute maximum rating may cause permanent damage to the device. Extended operation at the maximum levels may degrade performance and affect reliability.
- 2/ Unless otherwise noted, all voltages are referenced to GND.
- 3/ The limits for the parameters specified herein shall apply over the full specified V_{CC} range and case temperature range of -55°C to +125°C.
- 4/ Maximum junction temperature shall not be exceeded except for allowable short duration burn-in screening conditions in accordance with method 5004 of MIL-STD-883.

STANDARD MICROCIRCUIT DRAWING DEFENSE SUPPLY CENTER COLUMBUS COLUMBUS, OHIO 43218-3990	SIZE A		5962-02508
		REVISION LEVEL C	SHEET 3

2. APPLICABLE DOCUMENTS

2.1 Government specification, standards, and handbooks. The following specification, standards, and handbooks form a part of this drawing to the extent specified herein. Unless otherwise specified, the issues of these documents are those cited in the solicitation or contract.

DEPARTMENT OF DEFENSE SPECIFICATION

MIL-PRF-38535 - Integrated Circuits, Manufacturing, General Specification for.

DEPARTMENT OF DEFENSE STANDARDS

MIL-STD-883 - Test Method Standard Microcircuits.
 MIL-STD-1835 - Interface Standard Electronic Component Case Outlines.

DEPARTMENT OF DEFENSE HANDBOOKS

MIL-HDBK-103 - List of Standard Microcircuit Drawings.
 MIL-HDBK-780 - Standard Microcircuit Drawings.

(Copies of these documents are available online at <http://assist.daps.dla.mil/quicksearch/> or <http://assist.daps.dla.mil> or from the Standardization Document Order Desk, 700 Robbins Avenue, Building 4D, Philadelphia, PA 19111-5094.)

2.2 Order of precedence. In the event of a conflict between the text of this drawing and the references cited herein, the text of this drawing takes precedence. Nothing in this document, however, supersedes applicable laws and regulations unless a specific exemption has been obtained.

3. REQUIREMENTS

3.1 Item requirements. The individual item requirements for device classes Q and V shall be in accordance with MIL-PRF-38535 and as specified herein or as modified in the device manufacturer's Quality Management (QM) plan. The modification in the QM plan shall not affect the form, fit, or function as described herein. The individual item requirements for device class M shall be in accordance with MIL-PRF-38535, appendix A for non-JAN class level B devices and as specified herein.

3.2 Design, construction, and physical dimensions. The design, construction, and physical dimensions shall be as specified in MIL-PRF-38535 and herein for device classes Q and V or MIL-PRF-38535, appendix A and herein for device class M.

3.2.1 Case outline. The case outline shall be in accordance with 1.2.4 and figure 1 herein.

3.2.2 Terminal connections. The terminal connections shall be as specified on figure 2.

3.2.3 Truth table. The truth table shall be as specified on figure 3.

3.2.4 Logic diagram. The logic diagram shall be as specified on figure 4.

3.2.5 Ground bounce waveforms and test circuit. The ground bounce waveforms and test circuit shall be as specified on figure 5.

3.2.6 Switching waveforms and test circuit. The switching waveforms and test circuit shall be as specified on figure 6.

3.2.7 Radiation exposure circuit. The radiation exposure circuit shall be maintained by the manufacturer under document revision level control and shall be made available to the preparing or acquiring activity upon request.

STANDARD MICROCIRCUIT DRAWING DEFENSE SUPPLY CENTER COLUMBUS COLUMBUS, OHIO 43218-3990	SIZE A		5962-02508
		REVISION LEVEL B	SHEET 4

3.3 Electrical performance characteristics and postirradiation parameter limits. Unless otherwise specified herein, the electrical performance characteristics and post irradiation parameter limits are as specified in table I and shall apply over the full case operating temperature range.

3.4 Electrical test requirements. The electrical test requirements shall be the subgroups specified in table II. The electrical tests for each subgroup are defined in table I.

3.5 Marking. The part shall be marked with the PIN listed in 1.2 herein. In addition, the manufacturer's PIN may also be marked. For packages where marking of the entire SMD PIN number is not feasible due to space limitations, the manufacturer has the option of not marking the "5962-" on the device. For RHA product using this option, the RHA designator shall still be marked. Marking for device classes Q and V shall be in accordance with MIL-PRF-38535. Marking for device class M shall be in accordance with MIL-PRF-38535, appendix A.

3.5.1 Certification/compliance mark. The certification mark for device classes Q and V shall be a "QML" or "Q" as required in MIL-PRF-38535. The compliance mark for device class M shall be a "C" as required in MIL-PRF-38535, appendix A.

3.6 Certificate of compliance. For device classes Q and V, a certificate of compliance shall be required from a QML-38535 listed manufacturer in order to supply to the requirements of this drawing (see 6.6.1 herein). For device class M, a certificate of compliance shall be required from a manufacturer in order to be listed as an approved source of supply in MIL-HDBK-103 (see 6.6.2 herein). The certificate of compliance submitted to DSCC-VA prior to listing as an approved source of supply for this drawing shall affirm that the manufacturer's product meets, for device classes Q and V, the requirements of MIL-PRF-38535 and herein or for device class M, the requirements of MIL-PRF-38535, appendix A and herein.

3.7 Certificate of conformance. A certificate of conformance as required for device classes Q and V in MIL-PRF-38535 or for device class M in MIL-PRF-38535, appendix A shall be provided with each lot of microcircuits delivered to this drawing.

3.8 Notification of change for device class M. For device class M, notification to DSCC-VA of change of product (see 6.2 herein) involving devices acquired to this drawing is required for any change that affects this drawing.

3.9 Verification and review for device class M. For device class M, DSCC, DSCC's agent, and the acquiring activity retain the option to review the manufacturer's facility and applicable required documentation. Offshore documentation shall be made available onshore at the option of the reviewer.

3.10 Microcircuit group assignment for device class M. Device class M devices covered by this drawing shall be in microcircuit group number 37 (see MIL-PRF-38535, appendix A).

STANDARD MICROCIRCUIT DRAWING DEFENSE SUPPLY CENTER COLUMBUS COLUMBUS, OHIO 43218-3990	SIZE A		5962-02508
		REVISION LEVEL B	SHEET 5

TABLE I. Electrical performance characteristics.

Test and MIL-STD-883 test method <u>1/</u>	Symbol	Test conditions <u>2/ 3/</u> -55°C ≤ T _C ≤ +125°C +1.8 V ≤ V _{CC} ≤ +3.6 V unless otherwise specified	Device type and device class	V _{CC}	Group A subgroups	Limits <u>4/</u>		Unit
						Min	Max	
Negative input clamp voltage 3022	V _{IC-}	For input under test, I _{IN} = -1.0 mA	All Q, V	Open	1	-0.4	-1.5	V
High level output voltage 3006	V _{OH}	V _{IN} = V _{IH} minimum or V _{IL} maximum I _{OH} = -100 μA	All All	2.7 V	1, 2, 3	2.5		V
				3.6 V	1, 2, 3	3.4		
		A side V _{IN} = V _{IH} minimum or V _{IL} maximum	I _{OH} = -6 mA	All All	2.3 V	1	1.8	
			I _{OH} = -8 mA		2.7 V	1	2.2	
					2.3 V	1, 2, 3	1.7	
					3.0 V	1	2.4	
					3.0 V	1, 2, 3	2.2	
		I _{OH} = -4 mA	02 All	1.8 V	1	1.4		
		B side V _{IN} = V _{IH} minimum or V _{IL} maximum	I _{OH} = -12 mA	All All	2.3 V	1	1.8	
			I _{OH} = -18 mA		2.7 V	1	2.2	
					2.3 V	1, 2, 3	1.7	
					3.0 V	1	2.4	
					3.0 V	1, 2, 3	2.2	
		I _{OH} = -24 mA	02 All	1.8 V	1	1.4		
Low level output voltage 3007	V _{OL}	V _{IN} = V _{IH} minimum or V _{IL} maximum I _{OL} = 100 μA	All All	2.7 V	1, 2, 3		0.20	V
				3.6 V	1, 2, 3		0.20	
		A side V _{IN} = V _{IH} minimum or V _{IL} maximum	I _{OL} = 6 mA	All All	2.3 V	1		0.40
			I _{OL} = 8 mA		2.7 V	1		0.40
					2.3 V	1, 2, 3		0.60
					3.0 V	1		0.55
					3.0 V	1, 2, 3		0.80
		I _{OL} = 4 mA	02 All	1.8 V	1		0.3	
		B side V _{IN} = V _{IH} minimum or V _{IL} maximum	I _{OL} = 12 mA	All All	2.3 V	1		0.40
			I _{OL} = 18 mA		2.7 V	1		0.40
					2.3 V	1, 2, 3		0.60
					3.0 V	1		0.40
					3.0 V	1, 2, 3		0.55
		I _{OL} = 24 mA	02 All	1.8 V	1		0.3	

See footnotes at end of table.

STANDARD MICROCIRCUIT DRAWING DEFENSE SUPPLY CENTER COLUMBUS COLUMBUS, OHIO 43218-3990	SIZE A		5962-02508
		REVISION LEVEL B	SHEET 6

TABLE I. Electrical performance characteristics - Continued.

Test and MIL-STD-883 test method <u>1/</u>	Symbol	Test conditions <u>2/ 3/</u> -55°C ≤ T _C ≤ +125°C +1.8 V ≤ V _{CC} ≤ +3.6 V unless otherwise specified	Device type and device class	V _{CC}	Group A subgroups	Limits <u>4/</u>		Unit
						Min	Max	
High level input voltage	V _{IH} <u>5/</u>		All All	2.3 V	1, 2, 3	1.6		V
				2.7 V	1, 2, 3	2.0		
				3.0 V	1, 2, 3	2.0		
				3.6 V	1, 2, 3	2.0		
			02 All	1.8 V	1, 2, 3	1.2		
Low level input voltage	V _{IL} <u>5/</u>		All All	2.3 V	1, 2, 3		0.7	V
				2.7 V	1, 2, 3		0.8	
				3.0 V	1, 2, 3		0.8	
				3.6 V	1, 2, 3		0.8	
			02 All	1.8 V	1, 2, 3		0.4	
Input leakage current high 3010	I _{IH}	For input under test, V _{IN} = 3.6 V For all other inputs, V _{IN} = V _{CC} or GND	All All	3.6 V	1, 2, 3		5	μA
Input leakage current low 3009	I _{IL}	For input under test, V _{IN} = 0.0 V For all other inputs, V _{IN} = V _{CC} or GND	All All	3.6 V	1, 2, 3		-5	μA
Quiescent supply current, output high 3005	I _{CCH}	V _{IN} = V _{CC} or GND	All All	3.6 V	1		20	μA
					2, 3		100	
Quiescent supply current, output low 3005	I _{CCL}	V _{IN} = V _{CC} or GND	All All	3.6 V	1		20	μA
					2, 3		100	
Quiescent supply current, output three-state 3005	I _{CCZ}	V _{IN} = V _{CC} or GND	All All	3.6 V	1		20	μA
					2, 3		100	
Quiescent supply current delta, TTL input levels 3005	ΔI _{CC} <u>6/</u>	For input under test, V _{IH} = V _{CC} - 0.6 V For all other inputs, V _{IN} = V _{CC} or GND	All All	3.6 V	1, 2, 3		750	μA
Input hold current	I _{I(HOLD)}	V _{IN} = 0.8 V V _{IN} = 2.0 V	All All	3.0 V	1, 2, 3	75		μA
				3.0 V	1, 2, 3	-75		
Power off leakage current	I _{OFF}	V _{IN} or V _{OUT} = 0.0 V to 3.6 V	All All	0.0 V	1, 2, 3		10	μA

See footnotes at end of table.

STANDARD MICROCIRCUIT DRAWING DEFENSE SUPPLY CENTER COLUMBUS COLUMBUS, OHIO 43218-3990	SIZE A		5962-02508
		REVISION LEVEL B	SHEET 7

TABLE I. Electrical performance characteristics - Continued.

Test and MIL-STD-883 test method <u>1/</u>	Symbol	Test conditions <u>2/ 3/</u> -55°C ≤ T _C ≤ +125°C +1.8 V ≤ V _{CC} ≤ +3.6 V unless otherwise specified	Device type and device class	V _{CC}	Group A subgroups	Limits <u>4/</u>		Unit
						Min	Max	
Three-state output leakage current high 3021	I _{OZH}	V _{IN} = V _{IH} minimum or V _{IL} maximum V _{OUT} = 3.6 V	All All	3.6 V	1, 2, 3		+10	μA
Three-state output leakage current low 3020	I _{OZL}	V _{IN} = V _{IH} minimum or V _{IL} maximum V _{OUT} = 0.0 V	All All	3.6 V	1, 2, 3		-10	μA
Input capacitance 3012	C _{IN}	See 4.4.1c T _C = +25°C	All All	GND	4		10	pF
Output capacitance 3012	C _{OUT}	See 4.4.1c T _C = +25°C	All All	3.3 V	4		12	pF
Power dissipation capacitance	C _{PD} <u>7/</u>	See 4.4.1c T _C = +25°C, f = 1 MHz	All All	3.3 V	4		80	pF
Low level ground bounce noise	V _{OLP} <u>8/</u>	V _{IH} = 3.3 V, V _{IL} = 0.0 V T _A = +25°C See figure 5 See 4.4.1d	All All	3.3 V	4		1250	mV
	V _{OLV} <u>8/</u>						4	
High level V _{CC} bounce noise	V _{OHP} <u>8/</u>		All All	3.3 V	4		1350	mV
	V _{OHV} <u>8/</u>						4	
Functional tests 3014	<u>9/</u>	V _{IN} = V _{IH} minimum or V _{IL} maximum Verify output V _{OUT} See 4.4.1b	All All	2.3 V	7, 8	L	H	
				2.7 V	7, 8	L	H	
				3.6 V	7, 8	L	H	
			02 All	1.8 V	7, 8	L	H	
Propagation delay time, mAn to mBn 3003	t _{PHL1} , t _{PLH1} <u>10/</u>	C _L = 30 pF minimum R _L = 500Ω See figure 6	All All	2.3 V	9, 10, 11	1.0	4.0	ns
				3.6 V	9, 10, 11	0.8	3.6	
			02 All	1.8 V	9, 10, 11	1.0	7.0	
Propagation delay time, mBn to mAn 3003	t _{PHL2} , t _{PLH2} <u>10/</u>		All All	2.3 V	9, 10, 11	1.0	4.9	ns
				3.6 V	9, 10, 11	0.8	4.0	
			02 All	1.8 V	9, 10, 11	1.0	8.7	

See footnotes at end of table.

STANDARD MICROCIRCUIT DRAWING DEFENSE SUPPLY CENTER COLUMBUS COLUMBUS, OHIO 43218-3990	SIZE A		5962-02508
		REVISION LEVEL B	SHEET 8

TABLE I. Electrical performance characteristics - Continued.

Test and MIL-STD-883 test method <u>1/</u>	Symbol	Test conditions <u>2/ 3/</u> -55°C ≤ T _C ≤ +125°C +1.8 V ≤ V _{CC} ≤ +3.6 V unless otherwise specified	Device type and device class	V _{CC}	Group A subgroups	Limits <u>4/</u>		Unit
						Min	Max	
Propagation delay time, output enable, m \bar{G} to mBn 3003	t _{PZL1} , t _{PZH1} <u>10/</u>	C _L = 30 pF minimum R _L = 500Ω See figure 6	All	2.3 V	9, 10, 11	1.0	5.8	ns
			All	3.6 V	9, 10, 11	0.8	4.3	
			02 All	1.8 V	9, 10, 11	1.0	9.0	
Propagation delay time, output enable, m \bar{G} to mAn 3003	t _{PZL2} , t _{PZH2} <u>10/</u>		All	2.3 V	9, 10, 11	1.0	6.8	ns
			All	3.6 V	9, 10, 11	0.8	4.8	
			02 All	1.8 V	9, 10, 11	1.0	10.5	
Propagation delay time, output disable, m \bar{G} to mBn 3003	t _{PLZ1} , t _{PHZ1} <u>10/</u>		All	2.3 V	9, 10, 11	1.0	4.8	ns
			All	3.6 V	9, 10, 11	0.8	5.6	
			02 All	1.8 V	9, 10, 11	1.0	6.8	
Propagation delay time, output disable, m \bar{G} to mAn 3003	t _{PLZ2} , t _{PHZ2} <u>10/</u>		All	2.3 V	9, 10, 11	1.0	5.7	ns
			All	3.6 V	9, 10, 11	0.8	7.0	
			02 All	1.8 V	9, 10, 11	1.0	8.0	

- 1/ For tests not listed in the referenced MIL-STD-883, [e.g. V_{IH}, V_{IL}], utilize the general test procedure under the conditions listed herein.
- 2/ Each input/output, as applicable, shall be tested at the specified temperature, for the specified limits, to the tests in table I herein. Output terminals not designated shall be high level logic, low level logic, or open, except as follows:
- For V_{IC} test, the V_{CC} terminal shall be open. T_C = +25°C.
 - For all I_{CC} and ΔI_{CC} tests, the output terminal shall be open. When performing these tests, the current meter shall be placed in the circuit such that all current flows through the meter.
- 3/ RHA parts for device types 01 and 02 meet all levels M, D, P, L, R, and F of irradiation. However, these parts are only tested at the "F" level. Pre and post irradiation values are identical unless otherwise specified in table I. When performing post irradiation electrical measurements for any RHA level, T_A = 25°C.
- 4/ For negative and positive voltage and current values, the sign designates the potential difference in reference to GND and the direction of current flow, respectively; and the absolute value of the magnitude, not the sign, is relative to the minimum and maximum limits, as applicable, listed herein. All devices shall meet or exceed the limits specified in table I, as applicable, at 1.8 V ≤ V_{CC} ≤ 3.6 V.
- 5/ The V_{IH} and V_{IL} tests are not required if applied as forcing functions for V_{OH} and V_{OL} tests.

STANDARD MICROCIRCUIT DRAWING DEFENSE SUPPLY CENTER COLUMBUS COLUMBUS, OHIO 43218-3990	SIZE A		5962-02508
		REVISION LEVEL C	SHEET 9

TABLE I. Electrical performance characteristics - Continued.

6/ This is the increase in supply current for each input that is at one of the specified TTL voltage levels rather than at 0.0 V or V_{CC} . This test may be performed either one input at a time (preferred method) or with all input pins simultaneously at $V_{IN} = V_{CC} - 0.6$ V (alternate method). Classes Q and V shall use the preferred method. When the test is performed using the alternate test method, the maximum limit is equal to the number of inputs at a high TTL input level times ΔI_{CC} maximum limit, and the preferred method and limits are guaranteed.

7/ Power dissipation capacitance (C_{PD}) determines both the power consumption (P_D) and dynamic current consumption (I_S). Where:

$$P_D = (C_{PD} + C_L) (V_{CC} \times V_{CC})f + (I_{CC} \times V_{CC}) + (n \times d \times \Delta I_{CC} \times V_{CC})$$

$$I_S = (C_{PD} + C_L) V_{CC}f + I_{CC} + n \times d \times \Delta I_{CC}$$

For both P_D and I_S , n is number of device inputs at TTL levels; d is duty cycle of the input signal; f is the frequency of the input signal; and C_L is the external output load capacitance.

8/ This test is for qualification only. Ground and V_{CC} bounce tests are performed on a non-switching (quiescent) output and are used to measure the magnitude of induced noise caused by other simultaneously switching outputs. The test is performed on a low noise bench test fixture. For the device under test, all outputs shall be loaded with 500Ω load resistance and a minimum of 50 pF of load capacitance (see figure 5). Only chip capacitors and resistors shall be used. The output load components shall be located as close as possible to the device outputs. It is suggested, that whenever possible, this distance be kept to less than 0.25 inches. Decoupling capacitors shall be placed in parallel from V_{CC} to ground. The values of these decoupling capacitors shall be determined by the device manufacturer. The low and high level ground and V_{CC} bounce noise is measured at the quiet output using a 1 GHz minimum bandwidth oscilloscope with a 50Ω impedance.

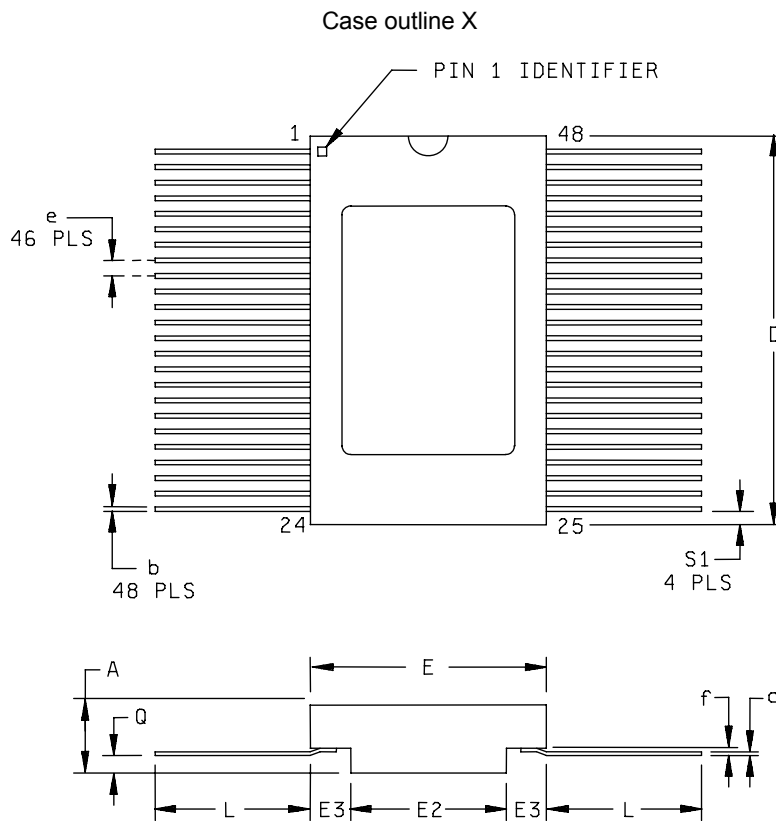
The device inputs shall be conditioned such that all outputs are at a low nominal V_{OH} level. The device inputs shall then be conditioned such that they switch simultaneously and the output under test remains at V_{OH} as all other outputs possible are switched from V_{OH} to V_{OL} . V_{OHV} and V_{OHP} are then measured from the nominal V_{OH} level to the largest negative and positive peaks, respectively (see figure 5). This is then repeated with the same outputs not under test switching from V_{OL} to V_{OH} .

The device inputs shall be conditioned such that all outputs are at a low nominal V_{OL} level. The device inputs shall then be conditioned such that they switch simultaneously and the output under test remains at V_{OL} as all other outputs possible are switched from V_{OL} to V_{OH} . V_{OLP} and V_{OLV} are then measured from the nominal V_{OL} level to the largest positive and negative peaks, respectively (see figure 5). This is then repeated with the same outputs not under test switching from V_{OH} to V_{OL} .

9/ Tests shall be performed in sequence, attributes data only. Functional tests shall include the truth table and other logic patterns used for fault detection. The test vectors used to verify the truth table shall, at a minimum, test all functions of each input and output. All possible input to output logic patterns per function shall be guaranteed, if not tested, to the truth table in figure 3 herein. Functional tests shall be performed in sequence as approved by the qualifying activity on qualified devices. Allowable tolerances in accordance with MIL-STD-883 for the input voltage levels may be incorporated. For outputs, $L \leq V_{IL}$ maximum, $H \geq V_{IH}$ minimum.

10/ AC limits at $V_{CC} = 2.7$ V are equal to the limits at $V_{CC} = 2.3$ V and guaranteed by testing at $V_{CC} = 2.3$ V. AC limits at $V_{CC} = 3.0$ V are equal to the limits at $V_{CC} = 3.6$ V and guaranteed by testing at $V_{CC} = 3.6$ V. Minimum ac limits for $V_{CC} = 2.7$ V are 1.0 ns and guaranteed by guardbanding the $V_{CC} = 2.3$ V minimum limits to 1.0 ns. Minimum ac limits for $V_{CC} = 3.0$ V are 0.8 ns and guaranteed by guardbanding the $V_{CC} = 3.6$ V minimum limits to 0.8 ns. For propagation delay tests, all paths must be tested.

STANDARD MICROCIRCUIT DRAWING DEFENSE SUPPLY CENTER COLUMBUS COLUMBUS, OHIO 43218-3990	SIZE A		5962-02508
		REVISION LEVEL B	SHEET 10



Symbol	Dimensions			
	Inches		Millimeters	
	Min	Max	Min	Max
A	.086	.107	2.18	2.72
b	.008	.012	0.20	0.30
c	.005	.007	0.12	0.18
D	.613	.627	15.57	15.92
E	.375	.385	9.52	9.78
E2	.245	.255	6.22	6.48
E3	.060	.070	1.52	1.78
e	.025 BSC		0.635 BSC	
f	.008 BSC		0.20 BSC	
L	.270	.370	6.85	9.40
Q	.026	.036	0.66	0.92
S1	.010	.024	0.25	0.61
N	48		48	

FIGURE 1. Case outline.

STANDARD MICROCIRCUIT DRAWING DEFENSE SUPPLY CENTER COLUMBUS COLUMBUS, OHIO 43218-3990	SIZE A		5962-02508
		REVISION LEVEL B	SHEET 11

Device type	All		
Case outline	X		
Terminal number	Terminal symbol	Terminal number	Terminal symbol
1	1DIR	25	2 \bar{G}
2	1B0	26	2A7
3	1B1	27	2A6
4	GND	28	GND
5	1B2	29	2A5
6	1B3	30	2A4
7	V _{CC}	31	V _{CC}
8	1B4	32	2A3
9	1B5	33	2A2
10	GND	34	GND
11	1B6	35	2A1
12	1B7	36	2A0
13	2B0	37	1A7
14	2B1	38	1A6
15	GND	39	GND
16	2B2	40	1A5
17	2B3	41	1A4
18	V _{CC}	42	V _{CC}
19	2B4	43	1A3
20	2B5	44	1A2
21	GND	45	GND
22	2B6	46	1A1
23	2B7	47	1A0
24	2DIR	48	1 \bar{G}

FIGURE 2. Terminal connections.

STANDARD MICROCIRCUIT DRAWING DEFENSE SUPPLY CENTER COLUMBUS COLUMBUS, OHIO 43218-3990	SIZE A		5962-02508
		REVISION LEVEL B	SHEET 12

Inputs		Function		Output
m \bar{G}	mDIR	A bus	B bus	
L	L	Output	Input	A = B
L	H	Input	Output	B = A
H	X	Z	Z	Z

H = High voltage level
 L = Low voltage level
 X = Immaterial
 Z = High impedance

FIGURE 3. Truth table.

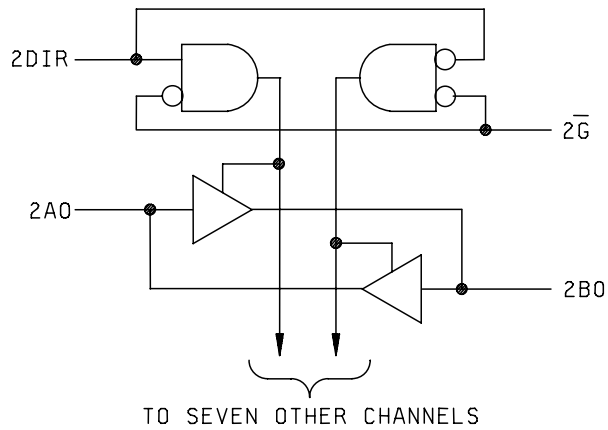
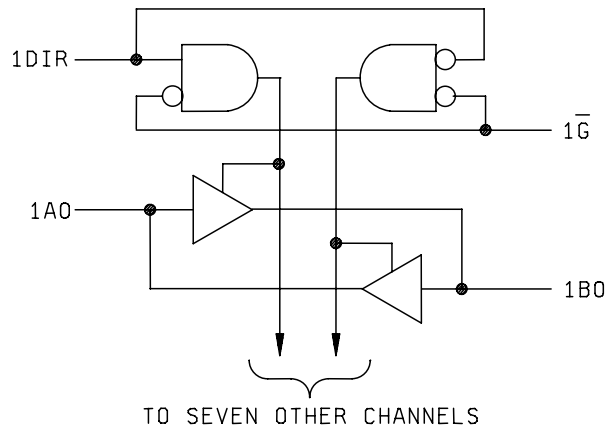
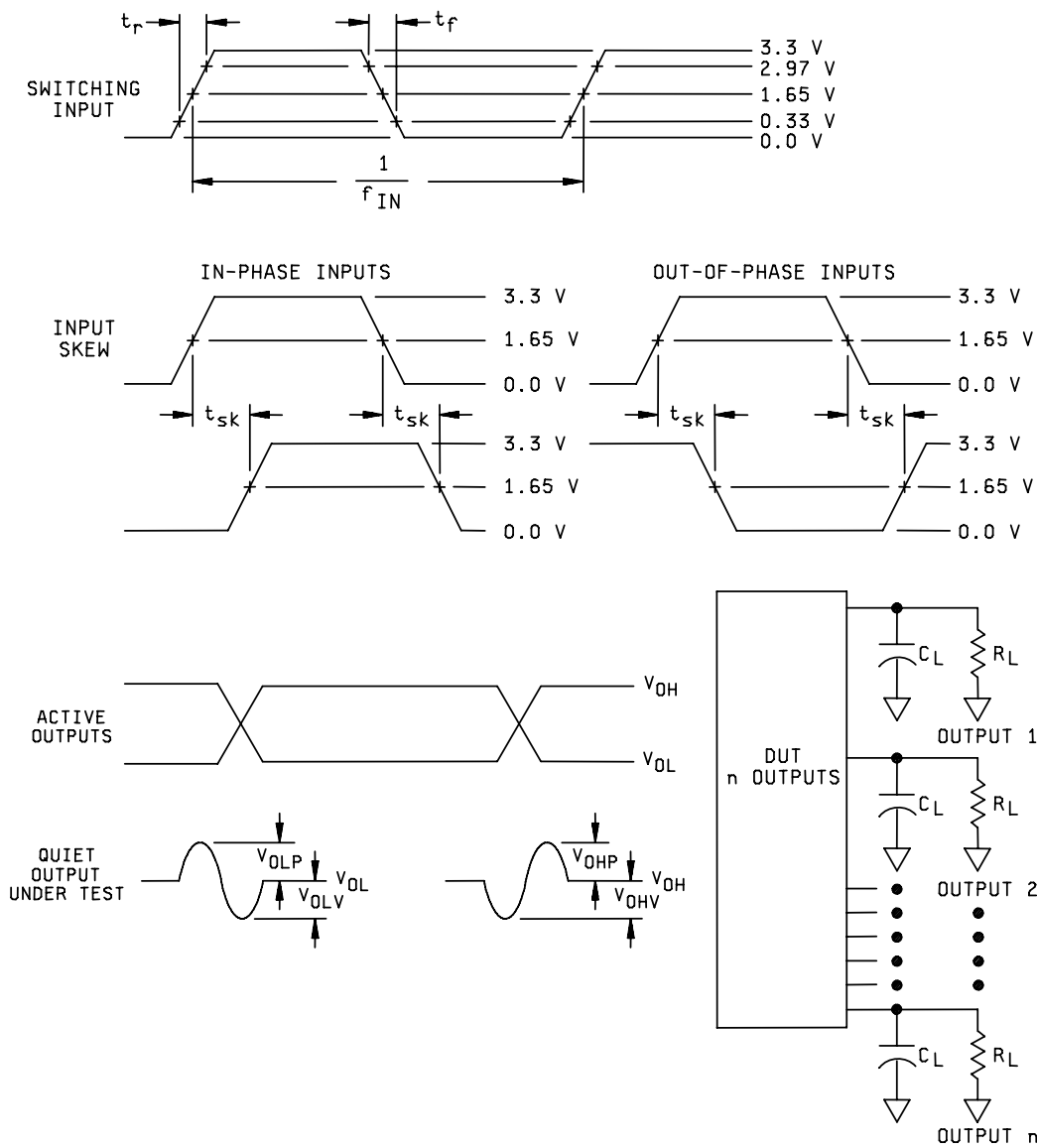


FIGURE 4. Logic diagram.

STANDARD MICROCIRCUIT DRAWING DEFENSE SUPPLY CENTER COLUMBUS COLUMBUS, OHIO 43218-3990	SIZE A		5962-02508
		REVISION LEVEL B	SHEET 13



NOTES:

1. C_L includes a 47 pF chip capacitor (-0 percent, +20 percent) and at least 3 pF of equivalent capacitance from the test jig and probe.
2. $R_L = 500\Omega \pm 1$ percent, chip resistor in series with a 50 Ω termination. For monitored outputs, the 50 Ω termination shall be the 50 Ω characteristic impedance of the coaxial connector to the oscilloscope.
3. Input signal to the device under test:
 - a. $V_{IN} = 0.0$ V to 3.3 V; duty cycle = 50 percent; $f_{IN} \geq 1$ MHz.
 - b. $t_r, t_f = 3.0$ ns ± 0.1 ns. For input signal generators incapable of maintaining these values of t_r and t_f , the 3.0 ns limit may be increased up to 10 ns, as needed, maintaining the ± 1.0 ns tolerance and guaranteeing the results at 3.0 ns ± 1.0 ns; skew between any two switching input signals (t_{sk}): ≤ 250 ps.

FIGURE 5. Ground bounce waveforms and test circuit.

STANDARD MICROCIRCUIT DRAWING DEFENSE SUPPLY CENTER COLUMBUS COLUMBUS, OHIO 43218-3990	SIZE A		5962-02508
		REVISION LEVEL B	SHEET 14

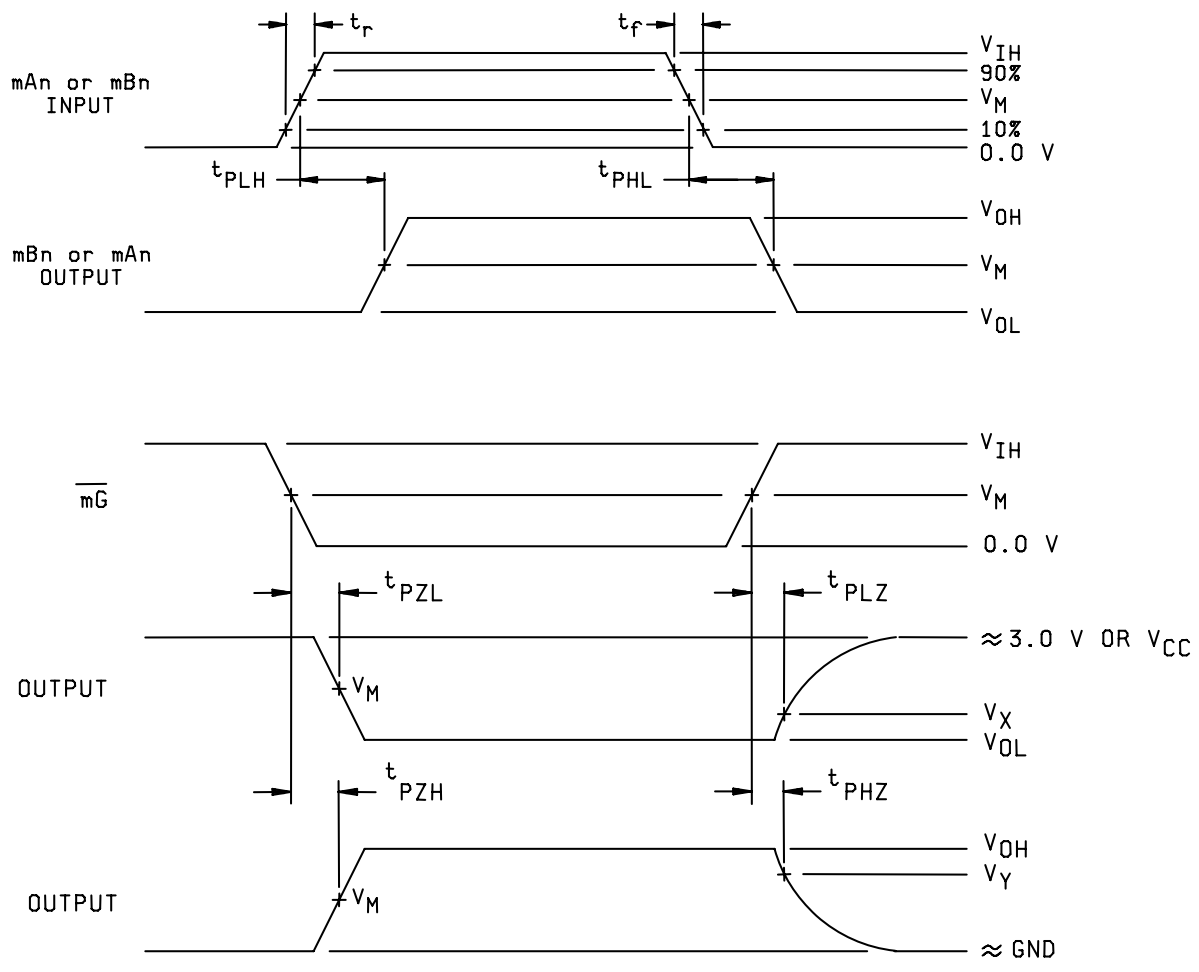
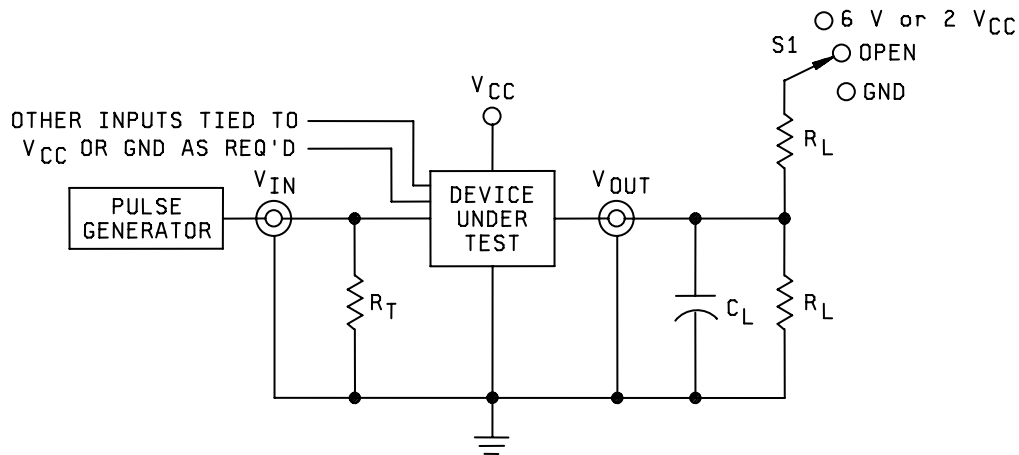


FIGURE 6. Switching waveforms and test circuit.

STANDARD MICROCIRCUIT DRAWING DEFENSE SUPPLY CENTER COLUMBUS COLUMBUS, OHIO 43218-3990	SIZE A		5962-02508
		REVISION LEVEL B	SHEET 15



Symbol	V_{CC}	
	1.8 V and 2.3 V to 2.7 V	3.0 V to 3.6 V
V_{IH}	V_{CC}	2.7 V
V_M	$V_{CC}/2$	1.5 V
V_X	$V_{OL} + 0.15 V$	$V_{OL} + 0.3 V$
V_Y	$V_{OH} - 0.15 V$	$V_{OH} - 0.3 V$

NOTES:

1. When measuring t_{PLH} and t_{PHL} : S1 = open.
When measuring t_{PLZ} and t_{PZL} : S1 = $2V_{CC}$ for $V_{CC} = 1.8 V$ and $V_{CC} = 2.3 V$ to $2.7 V$; S1 = $6.0 V$ for $V_{CC} = 3.0 V$ to $3.6 V$.
When measuring t_{PHZ} and t_{PZH} : S1 = GND.
2. The t_{PZL} and t_{PZH} reference waveform is for the output under test with internal conditions such that the output is at V_{OL} except when disabled by the output enable control. The t_{PZH} and t_{PHZ} reference waveform is for the output under test with internal conditions such that the output is at V_{OH} except when disabled by the output enable control.
3. $C_L = 30 pF$ minimum or equivalent (includes test jig and probe capacitance).
4. $R_T = 50\Omega$ or equivalent, $R_L = 500\Omega$ or equivalent.
5. Input signal from pulse generator: $V_{IN} = 0.0 V$ to V_{IH} ; $PRR \leq 1 MHz$; $Z_O = 50\Omega$; $t_r \leq 2.0 ns$; $t_f \leq 2.0 ns$; t_r and t_f shall be measured from 10% of V_{IH} to 90% of V_{IH} and from 90% of V_{IH} to 10% of V_{IH} , respectively; duty cycle = 50 percent.
6. Timing parameters shall be tested at a minimum input frequency of 1 MHz.
7. The outputs are measured one at a time with one transition per measurement.

FIGURE 6. Switching waveforms and test circuit - Continued.

STANDARD MICROCIRCUIT DRAWING DEFENSE SUPPLY CENTER COLUMBUS COLUMBUS, OHIO 43218-3990	SIZE A		5962-02508
		REVISION LEVEL B	SHEET 16

4. VERIFICATION

4.1 Sampling and inspection. For device classes Q and V, sampling and inspection procedures shall be in accordance with MIL-PRF-38535 or as modified in the device manufacturer's Quality Management (QM) plan. The modification in the QM plan shall not affect the form, fit, or function as described herein. For device class M, sampling and inspection procedures shall be in accordance with MIL-PRF-38535, appendix A.

4.2 Screening. For device classes Q and V, screening shall be in accordance with MIL-PRF-38535, and shall be conducted on all devices prior to qualification and technology conformance inspection. For device class M, screening shall be in accordance with method 5004 of MIL-STD-883, and shall be conducted on all devices prior to quality conformance inspection.

4.2.1 Additional criteria for device class M.

- a. Burn-in test, method 1015 of MIL-STD-883.
 - (1) Test condition A, B, C, or D. The test circuit shall be maintained by the manufacturer under document revision level control and shall be made available to the preparing or acquiring activity upon request. The test circuit shall specify the inputs, outputs, biases, and power dissipation, as applicable, in accordance with the intent specified in method 1015 of MIL-STD-883.
 - (2) $T_A = +125^{\circ}\text{C}$, minimum.
- b. Interim and final electrical test parameters shall be as specified in table II herein.

4.2.2 Additional criteria for device classes Q and V.

- a. The burn-in test duration, test condition and test temperature, or approved alternatives shall be as specified in the device manufacturer's QM plan in accordance with MIL-PRF-38535. The burn-in test circuit shall be maintained under document revision level control of the device manufacturer's Technology Review Board (TRB) in accordance with MIL-PRF-38535 and shall be made available to the acquiring or preparing activity upon request. The test circuit shall specify the inputs, outputs, biases, and power dissipation, as applicable, in accordance with the intent specified in method 1015 of MIL-STD-883.
- b. Interim and final electrical test parameters shall be as specified in table II herein.
- c. Additional screening for device class V beyond the requirements of device class Q shall be as specified in MIL-PRF-38535, appendix B.

4.3 Qualification inspection for device classes Q and V. Qualification inspection for device classes Q and V shall be in accordance with MIL-PRF-38535. Inspections to be performed shall be those specified in MIL-PRF-38535 and herein for groups A, B, C, D, and E inspections (see 4.4.1 through 4.4.4).

4.4 Conformance inspection. Technology conformance inspection for classes Q and V shall be in accordance with MIL-PRF-38535 including groups A, B, C, D, and E inspections and as specified herein. Quality conformance inspection for device class M shall be in accordance with MIL-PRF-38535, appendix A and as specified herein. Inspections to be performed for device class M shall be those specified in method 5005 of MIL-STD-883 and herein for groups A, B, C, D, and E inspections (see 4.4.1 through 4.4.4).

STANDARD MICROCIRCUIT DRAWING DEFENSE SUPPLY CENTER COLUMBUS COLUMBUS, OHIO 43218-3990	SIZE A		5962-02508
		REVISION LEVEL B	SHEET 17

4.4.1 Group A inspection

- a. Tests shall be as specified in table II herein.
- b. For device class M, subgroups 7 and 8 tests shall be sufficient to verify the truth table in figure 3 herein. The test vectors used to verify the truth table shall, at a minimum, test all functions of each input and output. All possible input to output logic patterns per function shall be guaranteed, if not tested, to the truth table in figure 3, herein. For device classes Q and V, subgroups 7 and 8 shall include verifying the functionality of the device.
- c. C_{IN} , C_{OUT} , and C_{PD} shall be measured only for initial qualification and after process or design changes which may affect capacitance. C_{IN} and C_{OUT} shall be measured between the designated terminal and GND at a frequency of 1 MHz. This test may be performed at 10 MHz and guaranteed, if not tested, at 1 MHz. The DC bias for the pin under test (V_{BIAS}) = 2.5 V or 3.0 V. For C_{IN} , C_{OUT} , and C_{PD} , test all applicable pins on five devices with zero failures.

For C_{IN} and C_{OUT} , a device manufacturer may qualify devices by functional groups. A specific functional group shall be composed of functional types, that by design, will yield the same capacitance values when tested in accordance with table I, herein. The device manufacturer shall set a function group limit for the C_{IN} and C_{OUT} tests. The device manufacturer may then test one device functional group, to the limits and conditions specified herein. All other device functions in that particular functional group shall be guaranteed, if not tested, to the limits and test conditions specified in table I, herein. The device manufacturers shall submit to DSCC-VA the device functions listed in each functional group and the test results for each device tested.

- d. Ground and V_{CC} bounce tests are required for all device classes. These tests shall be performed only for initial qualification, after process or design changes which may affect the performance of the device, and any changes to the test fixture. V_{OLP} , V_{OLV} , V_{OHP} , and V_{OHV} shall be measured for the worst case outputs of the device. All other outputs shall be guaranteed, if not tested, to the limits established for the worst case outputs. The worst case outputs tested are to be determined by the manufacturer. Test 5 devices assembled in the worst case package type supplied to this document. All other package types shall be guaranteed, if not tested, to the limits established for the worst case package. The 5 devices to be tested shall be the worst case device type supplied to this drawing. All other device types shall be guaranteed, if not tested, to the limits established for the worst case device type. The package type and device type to be tested shall be determined by the manufacturer. The device manufacturer will submit to DSCC-VA data that shall include all measured peak values for each device tested and detailed oscilloscope plots for each V_{OLP} , V_{OLV} , V_{OHP} , and V_{OHV} from one sample part per function. The plot shall contain the waveforms of both a switching output and the output under test.

Each device manufacturer shall test product on the fixtures they currently use. When a new fixture is used, the device manufacturer shall inform DSCC-VA of this change and test the 5 devices on both the new and old test fixtures. The device manufacturer shall then submit to DSCC-VA data from testing on both fixtures, that shall include all measured peak values for each device tested and detailed oscilloscope plots for each V_{OLP} , V_{OLV} , V_{OHP} , and V_{OHV} from one sample part per function. The plot shall contain the waveforms of both a switching output and the output under test.

For V_{OLP} , V_{OLV} , V_{OHP} , and V_{OHV} , a device manufacturer may qualify devices by functional groups. A specific functional group shall be composed of function types, that by design, will yield the same test values when tested in accordance with table I, herein. The device manufacturer shall set a functional group limit for the V_{OLP} , V_{OLV} , V_{OHP} , and V_{OHV} tests. The device manufacturer may then test one device function from a functional group, to the limits and conditions specified herein. All other device functions in that particular functional group shall be guaranteed, if not tested, to the limits and conditions specified in table I, herein. The device manufacturers shall submit to DSCC-VA the device functions listed in each functional group and test results, along with the oscilloscope plots, for each device tested.

4.4.2 Group C inspection. The group C inspection end-point electrical parameters shall be as specified in table II herein.

STANDARD MICROCIRCUIT DRAWING DEFENSE SUPPLY CENTER COLUMBUS COLUMBUS, OHIO 43218-3990	SIZE A		5962-02508
		REVISION LEVEL B	SHEET 18

TABLE II. Electrical test requirements.

Test requirements	Subgroups (in accordance with MIL-STD-883, method 5005, table I)	Subgroups (in accordance with MIL-PRF-38535, table III)	
	Device class M	Device class Q	Device class V
Interim electrical parameters (see 4.2)	---	---	1
Final electrical parameters (see 4.2)	<u>1/</u> 1, 2, 3, 7, 8, 9, 10, 11	<u>1/</u> 1, 2, 3, 7, 8, 9, 10, 11	<u>2/</u> <u>3/</u> 1, 2, 3, 7, 8, 9, 10, 11
Group A test requirements (see 4.4)	1, 2, 3, 4, 7, 8, 9, 10, 11	1, 2, 3, 4, 7, 8, 9, 10, 11	1, 2, 3, 4, 7, 8, 9, 10, 11
Group C end-point electrical parameters (see 4.4)	1, 2, 3	1, 2, 3	<u>3/</u> 1, 2, 3, 7, 8, 9, 10, 11
Group D end-point electrical parameters (see 4.4)	1, 2, 3	1, 2, 3	1, 2, 3
Group E end-point electrical parameters (see 4.4)	1, 7, 9	1, 7, 9	1, 7, 9

1/ PDA applies to subgroup 1.

2/ PDA applies to subgroups 1, 7, and deltas.

3/ Delta limits, as specified in table III, shall be required where specified, and the delta limits shall be completed with reference to the zero hour electrical parameters.

TABLE III. Burn-in and operating life test, delta parameters (+25°C).

Parameter <u>1/</u>	Symbol	Delta limits
Quiescent supply current	$I_{CCH}, I_{CCL}, I_{CCZ}$	$\pm 1 \mu A$
Quiescent supply current delta	ΔI_{CC}	$\pm 0.2 \text{ mA}$
Input current low level	I_{IL}	$\pm 100 \text{ nA}$
Input current high level	I_{IH}	$\pm 100 \text{ nA}$
Output voltage low level ($I_{OL} = 12 \text{ mA}$ or 24 mA , $V_{CC} = 3.0 \text{ V}$)	V_{OL}	$\pm 0.08 \text{ V}$
Output voltage high level ($I_{OH} = -12 \text{ mA}$ or -24 mA , $V_{CC} = 3.0 \text{ V}$)	V_{OH}	$\pm 0.20 \text{ V}$

1/ These parameters shall be recorded before and after the required burn-in and life tests to determined delta limits.

STANDARD MICROCIRCUIT DRAWING DEFENSE SUPPLY CENTER COLUMBUS COLUMBUS, OHIO 43218-3990	SIZE A		5962-02508
		REVISION LEVEL B	SHEET 19

4.4.2.1 Additional criteria for device class M. Steady-state life test conditions, method 1005 of MIL-STD-883:

- a. Test condition A, B, C, or D. The test circuit shall be maintained by the manufacturer under document revision level control and shall be made available to the preparing or acquiring activity upon request. The test circuit shall specify the inputs, outputs, biases, and power dissipation, as applicable, in accordance with the intent specified in method 1005 of MIL-STD-883.
- b. $T_A = +125^{\circ}\text{C}$, minimum.
- c. Test duration: 1,000 hours, except as permitted by method 1005 of MIL-STD-883.

4.4.2.2 Additional criteria for device classes Q and V. The steady-state life test duration, test condition and test temperature, or approved alternatives shall be as specified in the device manufacturer's QM plan in accordance with MIL-PRF-38535. The test circuit shall be maintained under document revision level control by the device manufacturer's TRB in accordance with MIL-PRF-38535 and shall be made available to the acquiring or preparing activity upon request. The test circuit shall specify the inputs, outputs, biases, and power dissipation, as applicable, in accordance with the intent specified in method 1005 of MIL-STD-883.

4.4.3 Group D inspection. The group D inspection end-point electrical parameters shall be as specified in table II herein.

4.4.4 Group E inspection. Group E inspection is required only for parts intended to be marked as radiation hardness assured (see 3.5 herein).

- a. End-point electrical parameters shall be as specified in table II herein.
- b. For device classes Q and V, the devices or test vehicle shall be subjected to radiation hardness assured tests as specified in MIL-PRF-38535 for the RHA level being tested. For device class M, the devices shall be subjected to radiation hardness assured tests as specified in MIL-PRF-38535, appendix A for the RHA level being tested. All device classes must meet the postirradiation end-point electrical parameter limits as defined in table I at $T_A = +25^{\circ}\text{C} \pm 5^{\circ}\text{C}$, after exposure, to the subgroups specified in table II herein.
- c. RHA tests for device classes M, Q, and V for levels M, D, P, L, R, and F shall be performed through each level to determine at what levels the devices meet the RHA requirements. These RHA tests shall be performed for initial qualification and after design or process changes which may affect the RHA performance of the device.
- d. Prior to irradiation, each selected sample shall be assembled in its qualified package. It shall pass the specified group A electrical parameters in table I for subgroups specified in table II herein.

4.4.4.1 Total dose irradiation testing. Total dose irradiation testing shall be performed in accordance with MIL-STD-883, method 1019, condition A, and as specified herein. Prior to and during total dose irradiation characterization and testing, the devices for characterization shall be biased so that 50 percent are at inputs high and 50 percent are at inputs low, and the devices for testing shall be biased to the worst case condition established during characterization. Devices shall be biased as follows:

- a. Inputs tested high, $V_{CC} = 3.6 \text{ V dc} \pm 5\%$, $V_{IN} = V_{CC}$, $R_{IN} = 1 \text{ k}\Omega \pm 20\%$, and all outputs are open.
- b. Inputs tested low, $V_{CC} = 3.6 \text{ V dc} \pm 5\%$, $V_{IN} = 0.0 \text{ V}$, $R_{IN} = 1 \text{ k}\Omega \pm 20\%$, and all outputs are open.

4.4.4.1.1 Accelerated aging test. Accelerated aging shall be performed on classes M, Q, and V devices requiring an RHA level greater than 5K rads (Si). The post-anneal end-point electrical parameter limits shall be as specified in table I herein and shall be the pre-irradiation end-point electrical parameter limit at $25^{\circ}\text{C} \pm 5^{\circ}\text{C}$. Testing shall be performed at initial qualification and after any design or process changes which may affect the RHA response of the device.

4.5 Methods of inspection. Methods of inspection shall be specified as follows:

4.5.1 Voltage and current. Unless otherwise specified, all voltages given are referenced to the microcircuit GND terminal. Currents given are conventional current and positive when flowing into the referenced terminal.

STANDARD MICROCIRCUIT DRAWING DEFENSE SUPPLY CENTER COLUMBUS COLUMBUS, OHIO 43218-3990	SIZE A		5962-02508
		REVISION LEVEL C	SHEET 20

5. PACKAGING

5.1 Packaging requirements. The requirements for packaging shall be in accordance with MIL-PRF-38535 for device classes Q and V or MIL-PRF-38535, appendix A for device class M.

6. NOTES

6.1 Intended use. Microcircuits conforming to this drawing are intended for use for Government microcircuit applications (original equipment), design applications, and logistics purposes.

6.1.1 Replaceability. Microcircuits covered by this drawing will replace the same generic device covered by a contractor-prepared specification or drawing.

6.1.2 Substitutability. Device class Q devices will replace device class M devices.

6.2 Configuration control of SMD's. All proposed changes to existing SMD's will be coordinated with the users of record for the individual documents. This coordination will be accomplished using DD Form 1692, Engineering Change Proposal.

6.3 Record of users. Military and industrial users should inform Defense Supply Center Columbus (DSCC) when a system application requires configuration control and which SMD's are applicable to that system. DSCC will maintain a record of users and this list will be used for coordination and distribution of changes to the drawings. Users of drawings covering microelectronic devices (FSC 5962) should contact DSCC-VA, telephone (614) 692-0544.

6.4 Comments. Comments on this drawing should be directed to DSCC-VA, Columbus, Ohio 43218-3990, or telephone (614) 692-0547.

6.5 Abbreviations, symbols, and definitions. The abbreviations, symbols, and definitions used herein are defined in MIL-PRF-38535 and MIL-HDBK-1331.

6.6 Sources of supply.

6.6.1 Sources of supply for device classes Q and V. Sources of supply for device classes Q and V are listed in QML-38535. The vendors listed in QML-38535 have submitted a certificate of compliance (see 3.6 herein) to DSCC-VA and have agreed to this drawing.

6.6.2 Approved sources of supply for device class M. Approved sources of supply for class M are listed in MIL-HDBK-103. The vendors listed in MIL-HDBK-103 have agreed to this drawing and a certificate of compliance (see 3.6 herein) has been submitted to and accepted by DSCC-VA.

STANDARD MICROCIRCUIT DRAWING DEFENSE SUPPLY CENTER COLUMBUS COLUMBUS, OHIO 43218-3990	SIZE A		5962-02508
		REVISION LEVEL B	SHEET 21

STANDARD MICROCIRCUIT DRAWING BULLETIN

DATE: 07-02-09

Approved sources of supply for SMD 5962-02508 are listed below for immediate acquisition information only and shall be added to MIL-HDBK-103 and QML-38535 during the next revision. MIL-HDBK-103 and QML-38535 will be revised to include the addition or deletion of sources. The vendors listed below have agreed to this drawing and a certificate of compliance has been submitted to and accepted by DSCC-VA. This information bulletin is superseded by the next dated revision of MIL-HDBK-103 and QML-38535. DSCC maintains an online database of all current sources of supply at <http://www.dscclia.mil/Programs/Smcr/>.

Standard microcircuit drawing PIN <u>1/</u>	Vendor CAGE number	Vendor similar PIN <u>2/</u>
5962R0250801QXA	F8859	RHRXH162245K02Q
5962R0250801QXC	F8859	RHRXH162245K01Q
5962R0250801VXA	F8859	RHRXH162245K02V
5962R0250801VXC	F8859	RHRXH162245K01V
5962R0250802QXA	F8859	RHRXH162245K04Q
5962R0250802QXC	F8859	RHRXH162245K03Q
5962R0250802VXA	F8859	RHRXH162245K04V
5962R0250802VXC	F8859	RHRXH162245K03V
5962F0250801QXA	F8859	RHFHXH162245K02Q
5962F0250801QXC	F8859	RHFHXH162245K01Q
5962F0250801VXA	F8859	RHFHXH162245K02V
5962F0250801VXC	F8859	RHFHXH162245K01V
5962F0250802QXA	F8859	RHFHXH162245K04Q
5962F0250802QXC	F8859	RHFHXH162245K03Q
5962F0250802VXA	F8859	RHFHXH162245K04V
5962F0250802VXC	F8859	RHFHXH162245K03V

1/ The lead finish shown for each PIN representing a hermetic package is the most readily available from the manufacturer listed for that part. If the desired lead finish is not listed, contact the vendor to determine its availability.

2/ Caution. Do not use this number for item acquisition. Items acquired to this number may not satisfy the performance requirements of this drawing.

Vendor CAGE
number

F8859

Vendor name
and address

ST Microelectronics
3 rue de Suisse
BP4199
35041 RENNES cedex2 - France

The information contained herein is disseminated for convenience only and the Government assumes no liability whatsoever for any inaccuracies in the information bulletin.