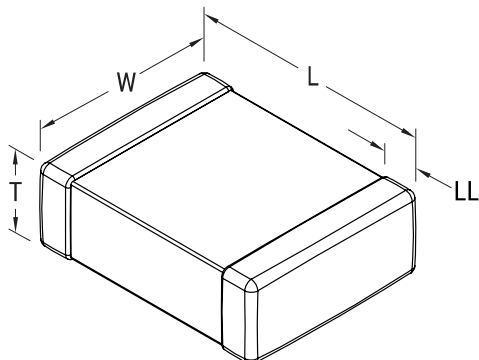


KEMET, L-SWS, RF, 8200 nH, 5%



#### Dimensions

Dimensions	
Chip Size	0806
L	2mm +/-0.2mm
W	1.6mm +/-0.2mm
T	1.6mm +/-0.2mm
LL	0.5mm +/-0.2mm

#### Packaging Specifications

Packaging:	T&R
Packaging Quantity:	2000

#### General Information

Series:	L-SWS
Style:	SMD Chip
RoHS:	Yes

#### Specifications

Inductance:	8.2 uH (7.96 MHz)
Inductance Tolerance:	5%
Current:	225 mAmps (MAX)
DC Resistance:	1.1 Ohms
Self-Resonant Frequency:	30 MHz MIN