

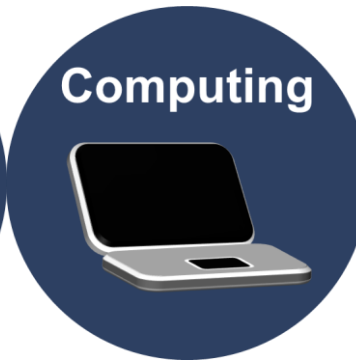


**ON Semiconductor®**

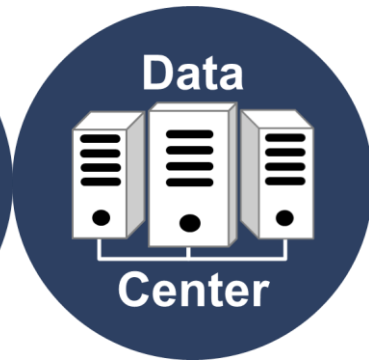
# **Strata Enabled NCP45560 ecoSWITCH EVB User Guide**



**Protection**



**Computing**



**Data**

**Center**

## Table of Contents

INTRODUCTION.....	3
Features.....	3
Applications.....	3
USER GUIDE .....	4
Hardware Setup .....	4
User Interface .....	4

# Introduction

The Strata Enabled NCP45560 ecoSWITCH EVB provides an easy to use evaluation board within the Strata Developer Studio for the NCP45560 ecoSWITCH from ON Semiconductor. Through the Strata User Interface, the developer can access datasheets, BOMs, schematics, and other collateral they may need. This document will explain how to get the EVB up and running with Strata.

## Features

- Advanced Controller with Charge Pump
- Integrated N-Channel MOSFET with Ultra Low RON
- Input Voltage Range 0.5 V to 13.5 V
- Soft-Start via Controlled Slew Rate
- Adjustable Slew Rate Control
- Power Good Signal
- Thermal Shutdown
- Undervoltage Lockout
- Short-Circuit Protection
- Extremely Low Standby Current
- Load Bleed (Quick Discharge)

## Applications

- Portable Electronics and Systems
- Notebook and Tablet Computers
- Telecom, Networking, Medical, and Industrial Equipment
- Set-Top Boxes, Servers, and Gateways
- Hot-Swap Devices and Peripheral Ports

## User Guide

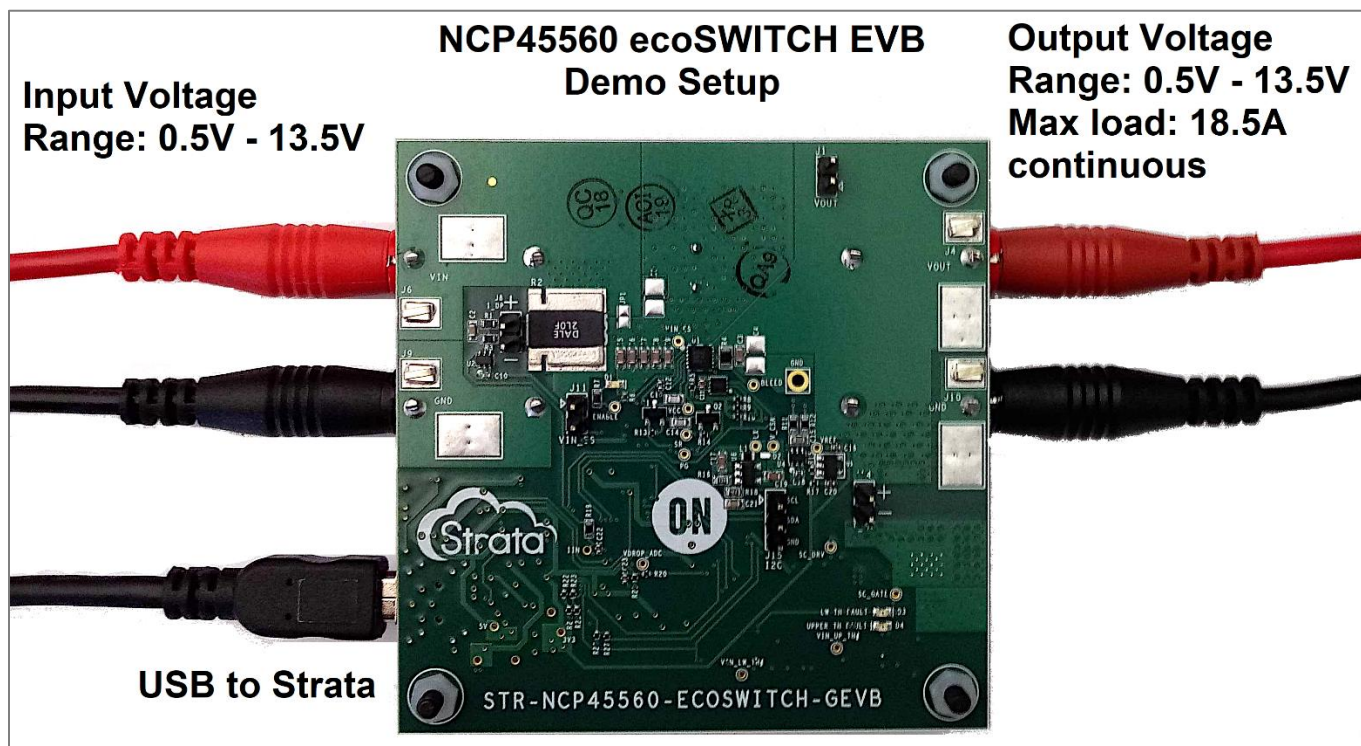
This section will explain how to use the Strata Enabled NCP45560 ecoSWITCH EVB in a step by step manner, and will cover both the hardware required as well as how to use the User Interface in Strata.

### Hardware Setup

The hardware required for using the Strata Enabled NCP45560 ecoSWITCH EVB are a computer (with Windows), a power supply, and a load. Follow the steps below.

1. Plug the power supply into the input of the board using the banana plugs J21 (positive terminal) and J23 (negative terminal). Do not apply over 18V (the ecoSWITCH's absolute maximum voltage on its VIN pin) to the input because this may damage circuitry on the board. The recommended input voltage range is 0.5V to 13.5V for normal operation.
2. Connect the computer to the EVB using the mini USB connector J25 on the bottom of the board.
3. Plug the load into the output using the banana plugs J20 (positive terminal) and J22 (negative terminal).

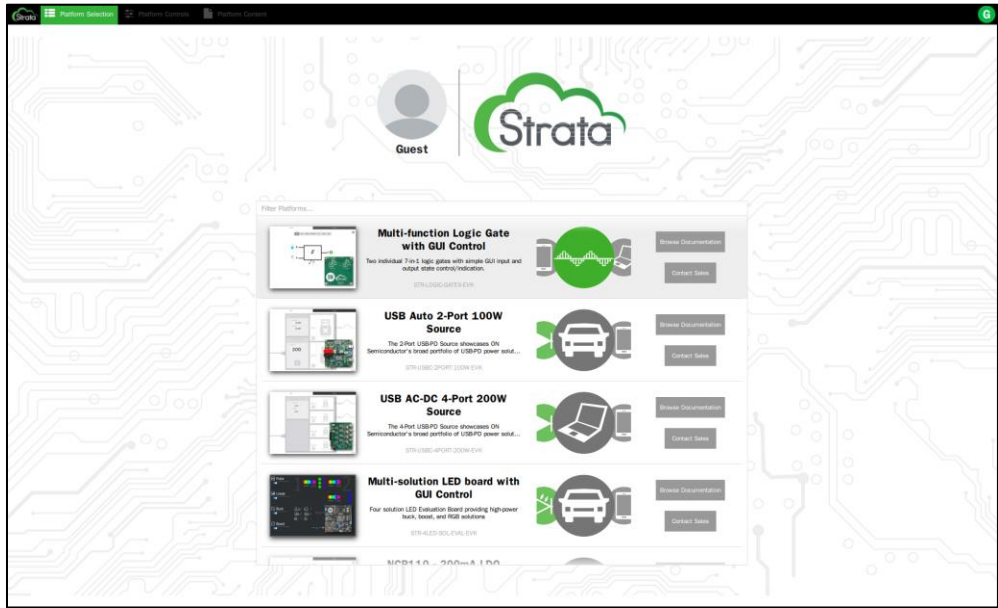
A picture of the setup can be found below. Red power cables denote positive polarity with respect to the black power cables, which are both connected to the board's common ground:



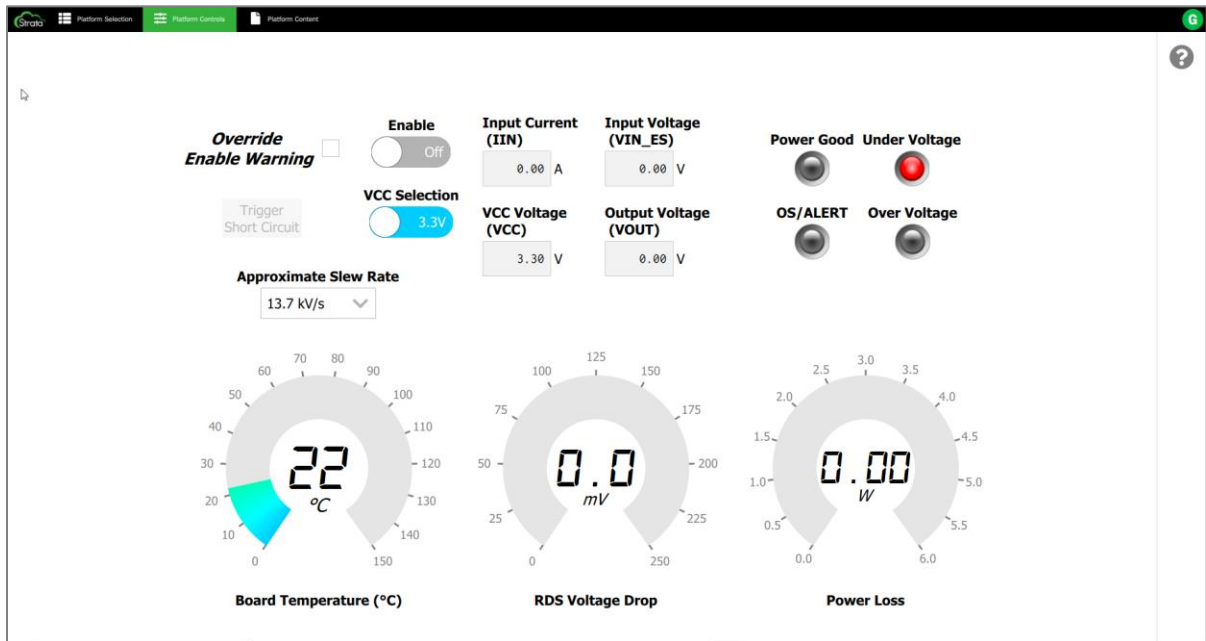
### User Interface

The UI within the Strata app will allow the user to control the ecoSWITCH and monitor its telemetry without needing other lab equipment or training to do so. The steps below cover what is in the UI.

1. First, open the Strata app. Login and the home screen will appear.



- Once logged in, the app will automatically detect the device that is plugged in and will bring up the UI for the board that is plugged in.
- The main view that comes up offers basic telemetry, an enable switch for enabling/disabling the ecoSWITCH, a VCC selection switch, a drop-down box for selecting the output voltage slew rate, and a button to trigger the onboard short circuit load when the ecoSWITCH is enabled. Due to potentially harmful inrush current, when the user tries to enable the device with the “Enable” switch, a warning popup will alert the user of the maximum recommended load current that can be pulled during startup. Click the “Override Enable Warning” if you want to disable this popup when you enable the ecoSWITCH. Refer to the test report for this EVB for more information regarding the inrush current limitation. The “VCC Selection” switch and “Approximate Slew Rate” drop-down box can only be altered when the ecoSWITCH is disabled.



- The round button with a question mark in the top right corner is the Help button, and will show the user what everything on the UI is doing.
- To look at the collateral provided with the EVB, click on the “Platform Content” tab at the top of the screen.

ON Semiconductor and the ON Semiconductor logo are trademarks of Semiconductor Components Industries, LLC dba ON Semiconductor or its subsidiaries in the United States and/or other countries. ON Semiconductor owns the rights to a number of patents, trademarks, copyrights, trade secrets, and other intellectual property. A listing of ON Semiconductor's product/patent coverage may be accessed at [www.onsemi.com/site/pdf/Patent-Marking.pdf](http://www.onsemi.com/site/pdf/Patent-Marking.pdf). ON Semiconductor is an Equal Opportunity/Affirmative Action Employer. This literature is subject to all applicable copyright laws and is not for resale in any manner.

The evaluation board/kit (research and development board/kit) (hereinafter the "board") is not a finished product and is as such not available for sale to consumers. The board is only intended for research, development, demonstration and evaluation purposes and should as such only be used in laboratory/development areas by persons with an engineering/technical training and familiar with the risks associated with handling electrical/mechanical components, systems and subsystems. This person assumes full responsibility/liability for proper and safe handling. Any other use, resale or redistribution for any other purpose is strictly prohibited.

The board is delivered "AS IS" and without warranty of any kind including, but not limited to, that the board is production-worthy, that the functions contained in the board will meet your requirements, or that the operation of the board will be uninterrupted or error free. ON Semiconductor expressly disclaims all warranties, express, implied or otherwise, including without limitation, warranties of fitness for a particular purpose and non-infringement of intellectual property rights.

ON Semiconductor reserves the right to make changes without further notice to any board.

You are responsible for determining whether the board will be suitable for your intended use or application or will achieve your intended results. Prior to using or distributing any systems that have been evaluated, designed or tested using the board, you agree to test and validate your design to confirm the functionality for your application. Any technical, applications or design information or advice, quality characterization, reliability data or other services provided by ON Semiconductor shall not constitute any representation or warranty by ON Semiconductor, and no additional obligations or liabilities shall arise from ON Semiconductor having provided such information or services.

The boards are not designed, intended, or authorized for use in life support systems, or any FDA Class 3 medical devices or medical devices with a similar or equivalent classification in a foreign jurisdiction, or any devices intended for implantation in the human body. Should you purchase or use the board for any such unintended or unauthorized application, you shall indemnify and hold ON Semiconductor and its officers, employees, subsidiaries, affiliates, and distributors harmless against all claims, costs, damages, and expenses, and reasonable attorney fees arising out of, directly or indirectly, any claim of personal injury or death associated with such unintended or unauthorized use, even if such claim alleges that ON Semiconductor was negligent regarding the design or manufacture of the board.

This evaluation board/kit does not fall within the scope of the European Union directives regarding electromagnetic compatibility, restricted substances (RoHS), recycling (WEEE), FCC, CE or UL, and may not meet the technical requirements of these or other related directives.

FCC WARNING – This evaluation board/kit is intended for use for engineering development, demonstration, or evaluation purposes only and is not considered by ON Semiconductor to be a finished end product fit for general consumer use. It may generate, use, or radiate radio frequency energy and has not been tested for compliance with the limits of computing devices pursuant to part 15 of FCC rules, which are designed to provide reasonable protection against radio frequency interference. Operation of this equipment may cause interference with radio communications, in which case the user shall be responsible, at its expense, to take whatever measures may be required to correct this interference.

ON Semiconductor does not convey any license under its patent rights nor the rights of others.

LIMITATIONS OF LIABILITY: ON Semiconductor shall not be liable for any special, consequential, incidental, indirect or punitive damages, including, but not limited to the costs of requalification, delay, loss of profits or goodwill, arising out of or in connection with the board, even if ON Semiconductor is advised of the possibility of such damages. In no event shall ON Semiconductor's aggregate liability from any obligation arising out of or in connection with the board, under any theory of liability, exceed the purchase price paid for the board, if any.

## PUBLICATION ORDERING INFORMATION

### LITERATURE FULLFILLMENT:

Literature Distribution Center for ON Semiconductor 19521 E.  
32nd Pkwy, Aurora, Colorado 80011 USA

Phone: 303-675-2175 or 800-344-3860 Toll Free USA/Canada  
Fax: 303-675-2176 or 800-344-3867 Toll Free USA/Canada  
Email: [orderlit@onsemi.com](mailto:orderlit@onsemi.com)

### N. American Technical Support:

800-282-9855 Toll Free USA/Canada

### Europe, Middle East and Africa Technical Support:

Phone: 421 33 790 2910

### ON Semiconductor Website:

<https://www.onsemi.com/>

### Order Literature:

<https://www.onsemi.com/orderlit>

For additional information, please contact your local Sales Representative