

# ON Semiconductor

## Is Now

# onsemi™

To learn more about onsemi™, please visit our website at  
[www.onsemi.com](http://www.onsemi.com)

**onsemi** and **onsemi** and other names, marks, and brands are registered and/or common law trademarks of Semiconductor Components Industries, LLC dba "**onsemi**" or its affiliates and/or subsidiaries in the United States and/or other countries. **onsemi** owns the rights to a number of patents, trademarks, copyrights, trade secrets, and other intellectual property. A listing of **onsemi** product/patent coverage may be accessed at [www.onsemi.com/site/pdf/Patent-Marking.pdf](http://www.onsemi.com/site/pdf/Patent-Marking.pdf). **onsemi** reserves the right to make changes at any time to any products or information herein, without notice. The information herein is provided "as-is" and **onsemi** makes no warranty, representation or guarantee regarding the accuracy of the information, product features, availability, functionality, or suitability of its products for any particular purpose, nor does **onsemi** assume any liability arising out of the application or use of any product or circuit, and specifically disclaims any and all liability, including without limitation special, consequential or incidental damages. Buyer is responsible for its products and applications using **onsemi** products, including compliance with all laws, regulations and safety requirements or standards, regardless of any support or applications information provided by **onsemi**. "Typical" parameters which may be provided in **onsemi** data sheets and/or specifications can and do vary in different applications and actual performance may vary over time. All operating parameters, including "Typicals" must be validated for each customer application by customer's technical experts. **onsemi** does not convey any license under any of its intellectual property rights nor the rights of others. **onsemi** products are not designed, intended, or authorized for use as a critical component in life support systems or any FDA Class 3 medical devices or medical devices with a same or similar classification in a foreign jurisdiction or any devices intended for implantation in the human body. Should Buyer purchase or use **onsemi** products for any such unintended or unauthorized application, Buyer shall indemnify and hold **onsemi** and its officers, employees, subsidiaries, affiliates, and distributors harmless against all claims, costs, damages, and expenses, and reasonable attorney fees arising out of, directly or indirectly, any claim of personal injury or death associated with such unintended or unauthorized use, even if such claim alleges that **onsemi** was negligent regarding the design or manufacture of the part. **onsemi** is an Equal Opportunity/Affirmative Action Employer. This literature is subject to all applicable copyright laws and is not for resale in any manner. Other names and brands may be claimed as the property of others.

# ONS321A5VGEVB, ONS321B12VGEVB



## ONS321A5VGEVB/ ONS321B12VGEVB Evaluation Board User's Manual

ON Semiconductor®

<http://onsemi.com>

### EVAL BOARD USER'S MANUAL

#### Description

The ONS321G evaluation board is designed such that it can accommodate 4 SO8IC / SO8FL parts or 2  $\mu$ 8FL / WDFN8 parts or 4 DPAKs. Depending on the type of application and necessity, any combination of the above packages can also be used. The ONS321G evaluation board is designed to operate with an input voltage ranging from 8 V to 19 V, and to provide an output voltage of 0.8 V to 1.55 V for load currents of up to 25 A. The ONS321G can be ordered with either 5 V or 12 V drivers, but one can be installed at a time. The ONS321G evaluation board has a number of test points that can be used to evaluate its performance in any given application.

#### Features

- 8 V to 19 V Input Voltage
- 25 A of Steady State Load Current

- 330 kHz Switching Frequency
- Access to IC Features such as Enable, Switching Node and VID Settings for Output Voltage
- Convenient Test Points for Simple, Non-invasive Measurements of Converter Performance Including Input Ripple, Output Ripple, High Side and Low Side Gate Signals and Switching Node

#### Applications

- Synchronous Buck Converters
  - ♦ High Frequency Applications
  - ♦ High Current Applications
  - ♦ Low Duty Cycle Applications
- Multi-phase Synchronous Buck Converters
  - ♦ Evaluation board has only one phase implemented

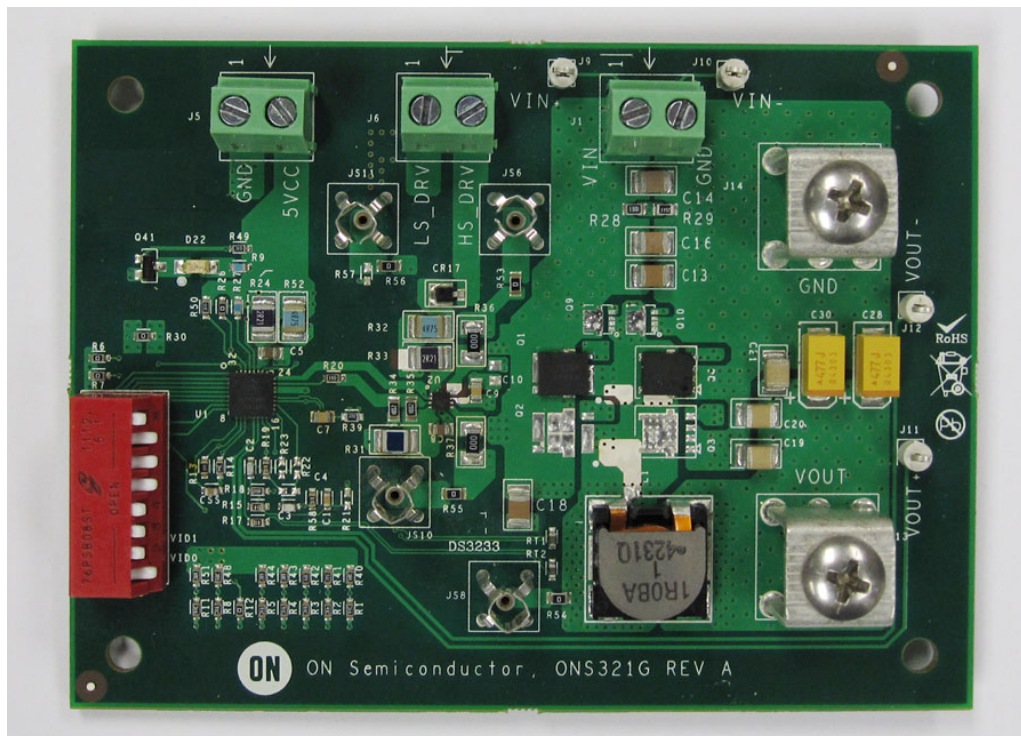


Figure 1. Evaluation Board Photo

# ONS321A5VGEVB, ONS321B12VGEVB

## SCHEMATIC OF THE ONS321G EVALUATION BOARD

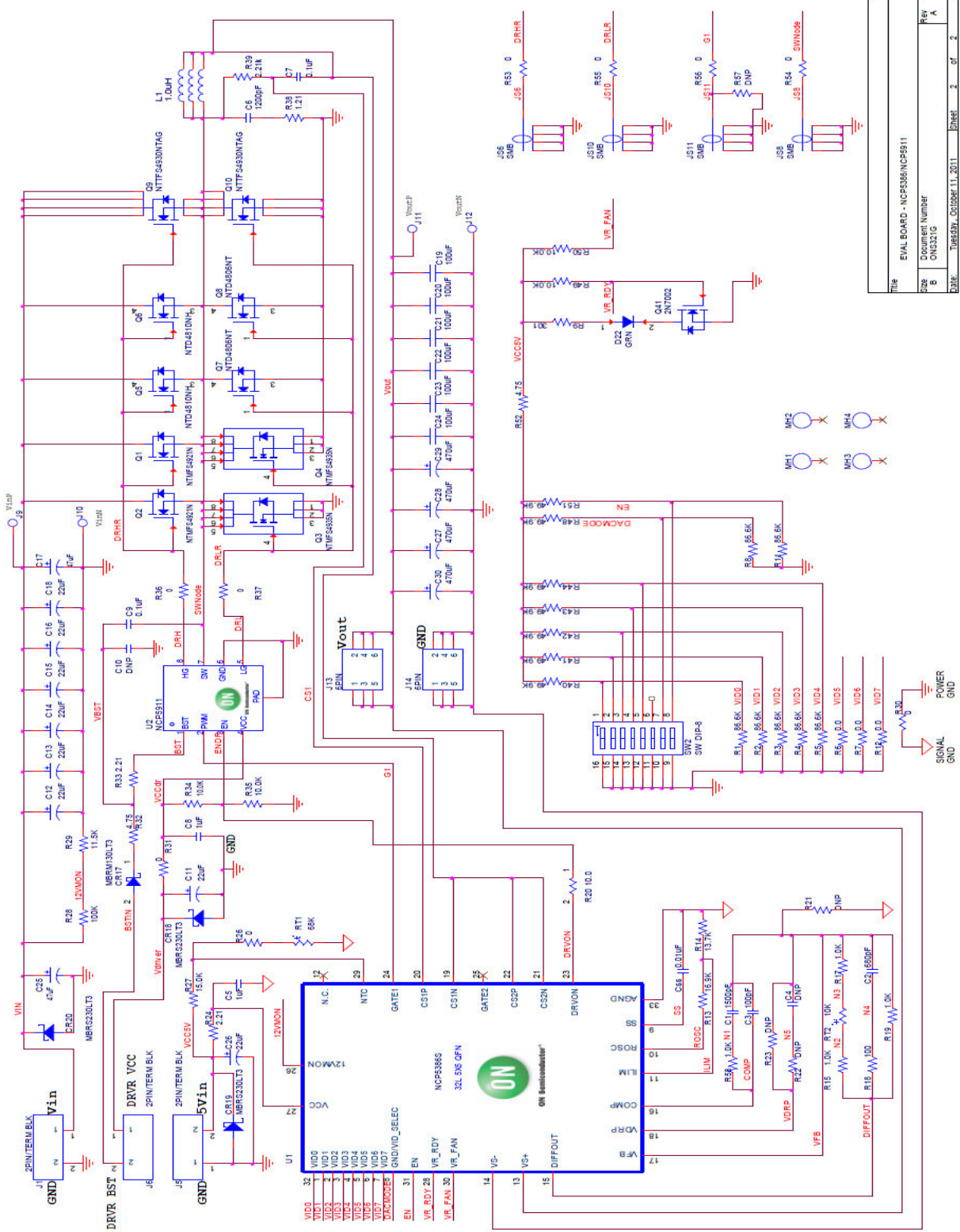


Figure 2. Schematic of ONS321G Evaluation Board

# ONS321A5VGEVB, ONS321B12VGEVB

## ELECTRICAL SPECIFICATIONS

**Table 1. ELECTRICAL SPECIFICATIONS FOR ONS321G**

Parameter		Notes and Conditions	Min	Typ	Max	Units
<b>Input Characteristics</b>						
$V_{in}$	Input Voltage	-	8	12	19	V
$V_{drv}$	Driver Voltage	-	5	-	12	V
$I_{in}$	Input Current	$V_{in} = 12\text{ V}; I_{out} = 25\text{ A}$	0	-	3	A
	No load input current	$V_{in} = 12\text{ V}; I_{out} = 0\text{ A}; V_{drv} = 5\text{ V}$	0	9	-	mA
		$V_{in} = 12\text{ V}; I_{out} = 0\text{ A}; V_{drv} = 10\text{ V}$	0	12	-	mA
<b>Output Characteristics</b>						
$V_{out}$	*Output Voltage	$V_{in} = 12\text{ V}; I_{out} = 25\text{ A}$	0.8	1.2	1.55	V
$V_{p-p}$	Maximum Switch Node Voltage	$V_{in} = 12\text{ V}; I_{out} = 20\text{ A}; V_{drv} = 5\text{ V} \& 10\text{ V}$	-	18	-	V
$I_{out}$	Output Current	$V_{in} = 8\text{ V to } 19\text{ V}$	0	-	25	A
<b>System Characteristics</b>						
$F_{sw}$	Switching Frequency	Note 1	-	330	-	kHz
$\eta_{Peak}$	Peak Efficiency	$V_{in} = 12\text{ V}; V_{out} = 1.2\text{ V}; V_{drv} = 5\text{ V}$	-	93	-	%
$\eta$	Full load efficiency	$V_{in} = 12\text{ V}; V_{out} = 1.2\text{ V}; V_{drv} = 5\text{ V}; I_{out} = 25\text{ A}$	-	84	-	%

\*The output voltage can be changed by changing the VID settings. For example, to get an output voltage of  $V_o = 1.2\text{ V}$ , the Pins 2 (VID1), 3 (VID2) and 4 (VID3) should be set to 1. See Appendix for more information on setting the output voltage. The pins 1 (VID0), 5 (VID4) and 6 (VID5) should always be set to 0 and the pins 7 (VID6) and 8 (VID7) should always be set to 1.

1. The switching frequency is defined by the resistors R13 and R14 and can only be changed only by changing the resistors R13 and R14.

## CONNECTORS AND TEST POINTS DESCRIPTIONS

### Input Power

Connect the input voltage positive probe to Pin 1 at J1 and sense probe at J9, negative probe to the GND at Pin 2 at J1 and sense probe at J10. The input voltage can range from 8 V to 19 V.

### Output Power

Connect the output voltage positive probe to J13 (large screw connector) and sense probe at J11, ground probe at J14 (large screw connector) and the sense probe to J12. The output voltage is set by the VID settings (Refer to Appendix, Section 1).

### Controller Biasing

Connect the positive probe to Pin 2 at J5 and the negative probe to the GND at Pin 1 at J5. Please keep this as a separate supply to avoid damage to the controller especially when other drive voltages are used. Controller  $V_{IN\ MAX}$  specification is 7 V.

### Driver Biasing

The driver positive voltage probe  $V_{cc}$  should be connected to both pin 1 and 2 at J6. The driver voltage is defined depending on the type of driver installed (i.e.) a 12 V driver or a 5 V driver. The ONS321G evaluation board is set up to accept DFN8 footprints of ON Semiconductor 5 V and 12 V drivers.

### Switching Frequency

The converter switching frequency is set by the voltage divider setup of R13 and R14 between the pins 10 (ROSC) and 33 (AGND) of the NCP5386 controller. In order to change the frequency, these resistors have to be changed. Changing the frequency also changes the  $I_{lim}$  (Over Current shutdown threshold) settings.

### Test Points Description

#### Monitoring the Input Voltage

The input voltage can be monitored by using the test points at J9 and J10 on the ONS321G evaluation board. This allows the user to find out the exact value of input voltage since there will be no losses from the cables or connectors.

#### Monitoring the Output Voltage

The ONS321G evaluation board provides two test points for measuring the output voltage without any losses from the cables or connectors. The output voltage can be measured at the points J11 and J12 on the evaluation board.

#### Monitoring the Switch Node Waveforms

The ONS321G evaluation board provides the opportunity to monitor the switch node waveforms. The probe socket at test point JS8 provides the switch node waveforms.

# ONS321A5VGEVB, ONS321B12VGEVB

## Monitoring the High Side and Low Side Waveforms

The high side waveforms can be obtained from the probe socket at test point JS6 and the low side waveforms can be obtained from the probe socket at test point JS10.

The probe sockets that are provided on the evaluation board for monitoring the waveforms are such that the oscilloscope probes can be inserted into the probe socket and are held in place. The Test Point and the Probe Socket are shown in Figure 3.

## Monitoring the PWM Signal

The PWM signal from the controller to the driver can be monitored from the probe socket provided at JS11.

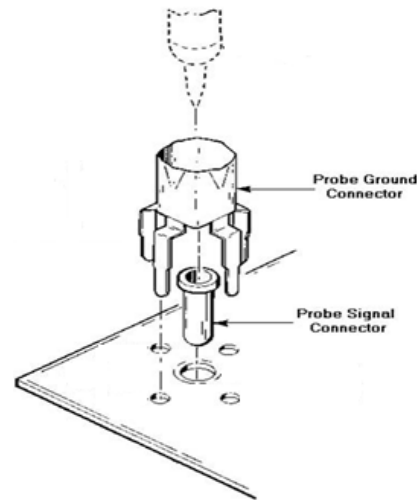


Figure 3. Tektronix Test Point & Probe Socket  
Part #: 700503100

## TEST EQUIPMENT REQUIRED

### Voltage Sources

#### (i) DC Supply Source for Input Voltage

The input voltage source should be a 0 to 20 V DC source. The input voltage may be increased further depending on the parts that are being used on the ONS321G evaluation board such that the part can withstand the applied voltage. Hence, based on the required input voltage to be applied, the requirement of the DC power supply varies.

#### (ii) DC Supply Source for Driver Voltage

The supply source for the driver should be a 0 to 20 V DC source. The driver voltage varies depending on the type of driver used (i.e.) For NCP5911 driver, the driver voltage is 5 V and for NCP5901 driver, it is 12 V.

### Electronic Load

The electronic load supplied to the ONS321G evaluation board ranges from 0 A to 25 A. Hence a DC current source of 0 A to 30 A is needed for the evaluation board.

### Meters to Measure Voltages and Currents

In the ONS321G Evaluation Board, the voltages that are to be measured are  $V_{in}$ ,  $V_{out}$  and  $V_{drv}$ . Similarly, the currents that are to be measured are  $I_{in}$ ,  $I_{out}$  and  $I_{drv}$ . The set

up for measuring these voltages and currents, and the meters required are shown in Figure 4. The currents are measured across the shunt resistances that are connected across each of the terminals of input, output and driver voltages as shown in Figure 4. For example, the output current is

measured as,  $I_{out} = V_{out} / R_{sh}$ . Similarly the input and driver current can also be measured. The connecting wires from the output terminal to the electronic load should be thicker in order to avoid losses and to measure the exact voltage at the end of the terminals.

### Oscilloscope

The oscilloscope is used to monitor the switch node waveforms. This should be an analog or digital oscilloscope set for DC coupled measurement with 50 MHz bandwidth. The resolution can be set at 5 V/division vertically and 20ns/division horizontally. The oscilloscope channels can be connected at various test points such as High Side Driver (JS6), Low Side Driver (JS10), Switch Node (JS8), G1 PWM Signal (JS11),  $V_{in}$  (sense) (J9 & J10) and  $V_{out}$  (sense) (J11 & J12).

## TEST SET UP AND PROCEDURE

### Test Setup

The test set up, test points and components present on the ONS321G Evaluation Board are shown in Figure 4.

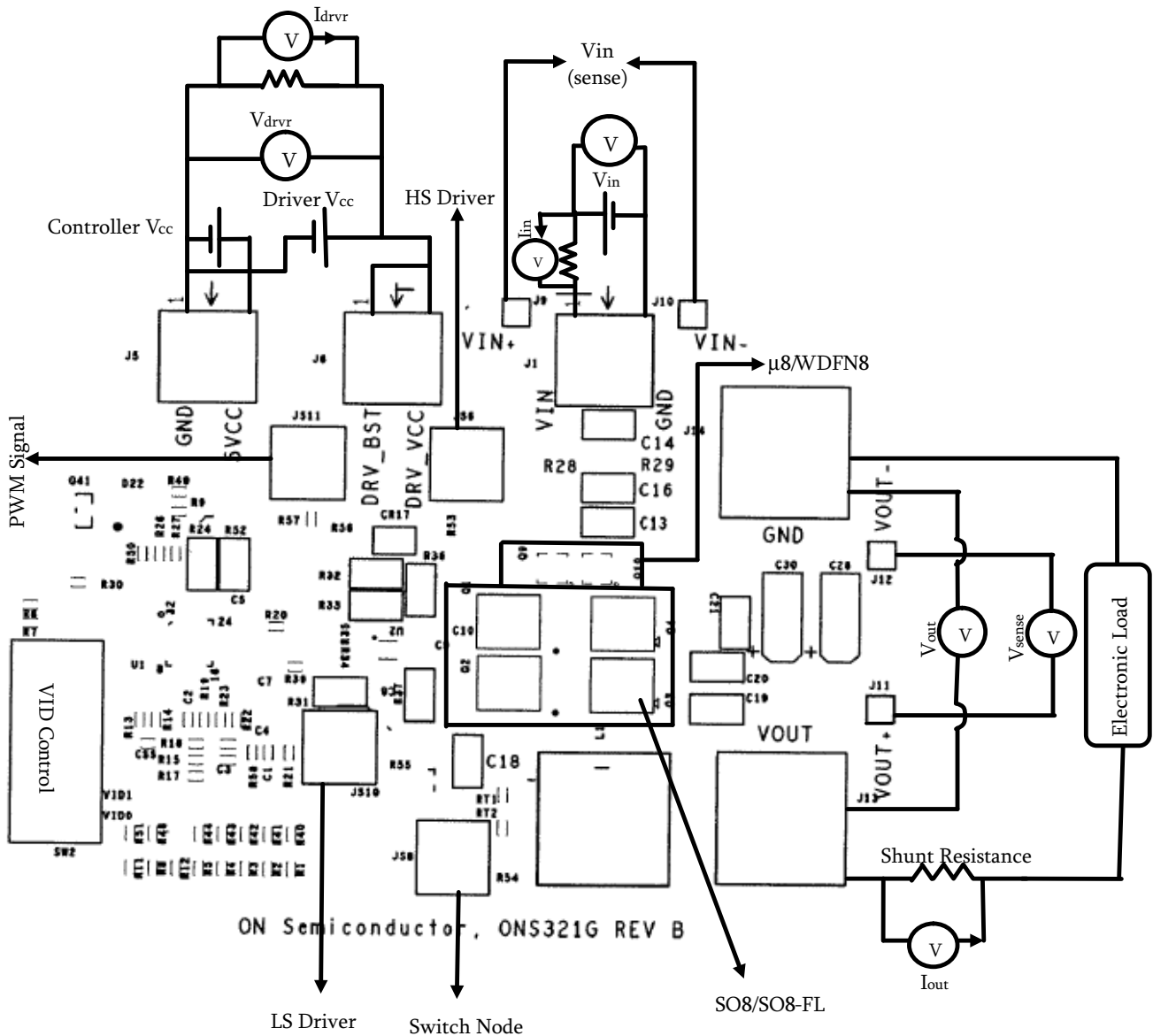


Figure 4. Schematic of the Test Setup

The SO-8 parts placed on the evaluation board are the Q1, Q2, Q3 and Q4; the  $\mu$ -8 parts placed on the evaluation board are the Q9 and Q10 and the DPAKs placed on the board right below the SO-8 parts are Q5, Q6, Q7 and Q8 shown in the schematic of ONS321G. (Refer to Section 2-Figure 1).

#### Start up and Shut down Procedures

Before starting the test, the oscilloscope probes should be connected. IR or k-type thermo-couples can be used to monitor the temperature of the parts to make sure that they are still within the limits. IR monitoring requires the removal of the oscilloscope probes due to the IR beam interference.

#### Start up Procedure:

1. Initially set all the power supplies to 0 V.
2. Set the output voltage by changing the VID settings. The output voltage should not be changed with either the controller or driver active.
3. Set the driver voltage and then set the input voltage.
4. Set the load current to required value. The load current must be incremented slowly to prevent the transient spikes at CS1/CS2 thereby shutting down the controller. If the controller shuts down, the input voltage must be set to zero, then the input power supply has to be turned off, then turned on and  $V_{in}$  re-established.

## ONS321A5VGEVB, ONS321B12VGEVB

### Shut down Procedure:

1. Shut down the Load.
2. Reduce the input voltage to zero and then shut down the input power supply.
3. Reduce the driver voltage to zero and then shut down the driver power supply.

### Test Procedure

1. Before making any connections, make sure to set the power supplies for input voltage and the driver voltage at 0 V. Also make sure that the load current is at 0 A.
2. Connect the Oscillator probes at the desired test points.
3. Set the driver voltage to the required value (For example,  $V_{\text{drv}} = 5 \text{ V}$ ).

4. After reaching the required driver voltage, set the input voltage as required. (For example,  $V_{\text{in}} = 12 \text{ V}$ ).
5. Set the load current slowly to the desired value. For example,  $I_{\text{out}} = 2.5 \text{ A}$ . (Refer to *Start Up Procedure #4*).
6. The frequency is already set to 330 kHz. If a different switching frequency is required, R13 and R14 have to be changed as per the data sheet of NCP5386. (Refer to *Appendix*).
7. Connect the voltmeters/multi-meters to monitor the required parameters. (Refer to Figure 4).
8. Obtain the required data and waveforms.

## TEST RESULTS

### Efficiency Comparison between the Standard In-house and ONS321G Evaluation Boards

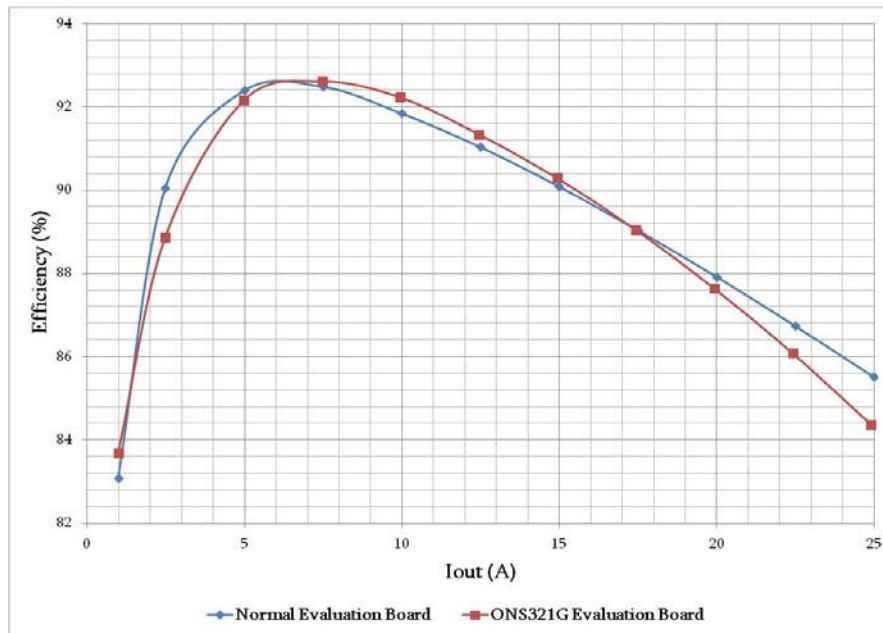


Figure 5. Comparison of Efficiency for Standard In-house and ONS321G Boards

# ONS321A5VGEVB, ONS321B12VGEVB

Efficiency Comparison of ONS321G Evaluation Board for  $V_{\text{dvr}} = 5 \text{ V}$  &  $10 \text{ V}^{**}$

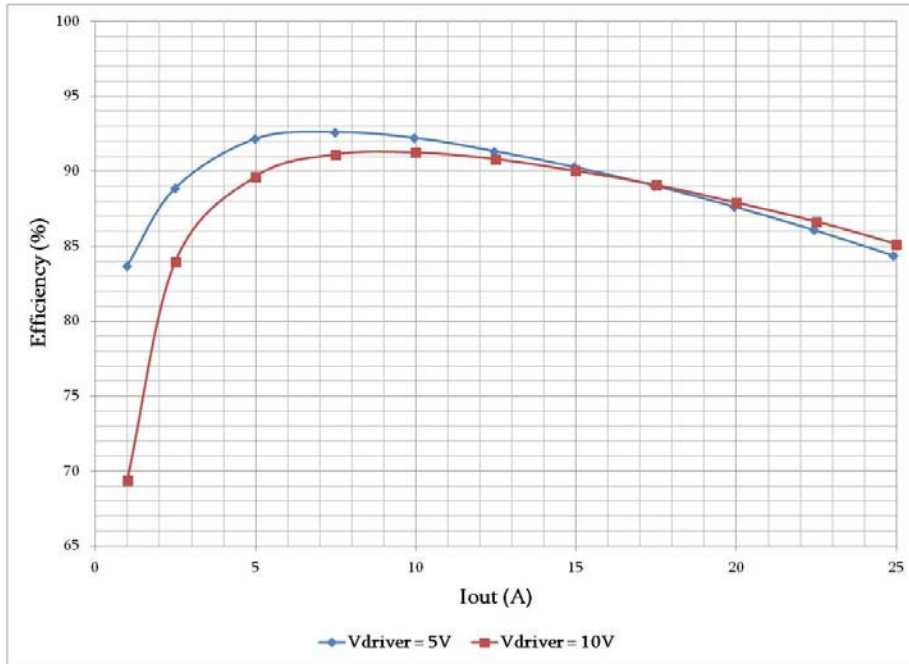


Figure 6. Comparison of Efficiency for ONS321G Board for  $V_{\text{dvr}} = 5 \text{ V}$  &  $10 \text{ V}$

Power Loss Comparison between the Standard In-house and ONS321G Evaluation Boards

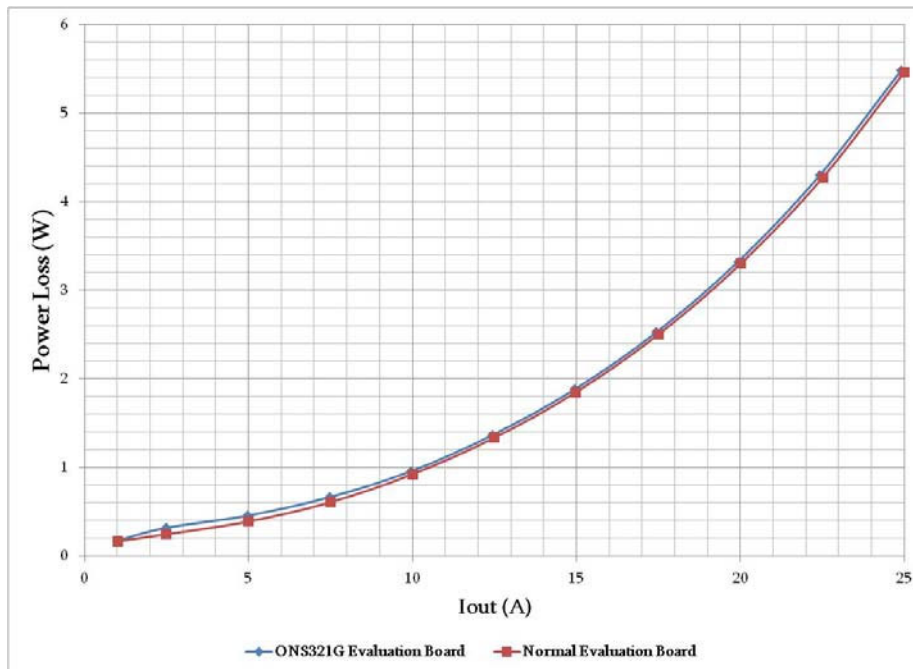


Figure 7. Comparison of Power Loss for Standard In-house and ONS321G Boards



# ONS321A5VGEVB, ONS321B12VGEVB

Power Loss Comparison of ONS321G Evaluation Board for  $V_{\text{drv}} = 5\text{ V}$  &  $10\text{ V}$ \*\*

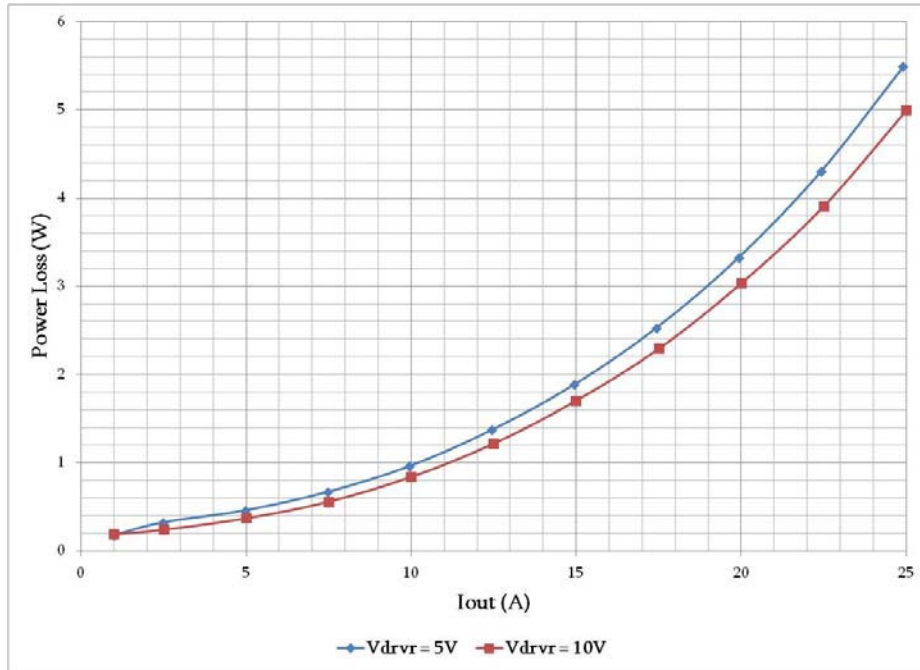


Figure 8. Comparison of Power Loss for ONS321G Board for  $V_{\text{drv}} = 5\text{ V}$  &  $10\text{ V}$

Switch Node Voltage Waveforms of ONS321G Evaluation Board for  $V_{\text{drv}} = 5\text{ V}$  &  $10\text{ V}$ \*\*

(i) At  $I_{\text{out}} = 20\text{ A}$  and  $V_{\text{drv}} = 5\text{ V}$  ( $V_{\text{in}} = 12\text{ V}$ ;  $V_{\text{out}} = 1.2\text{ V}$ ; Freq = 330 kHz)

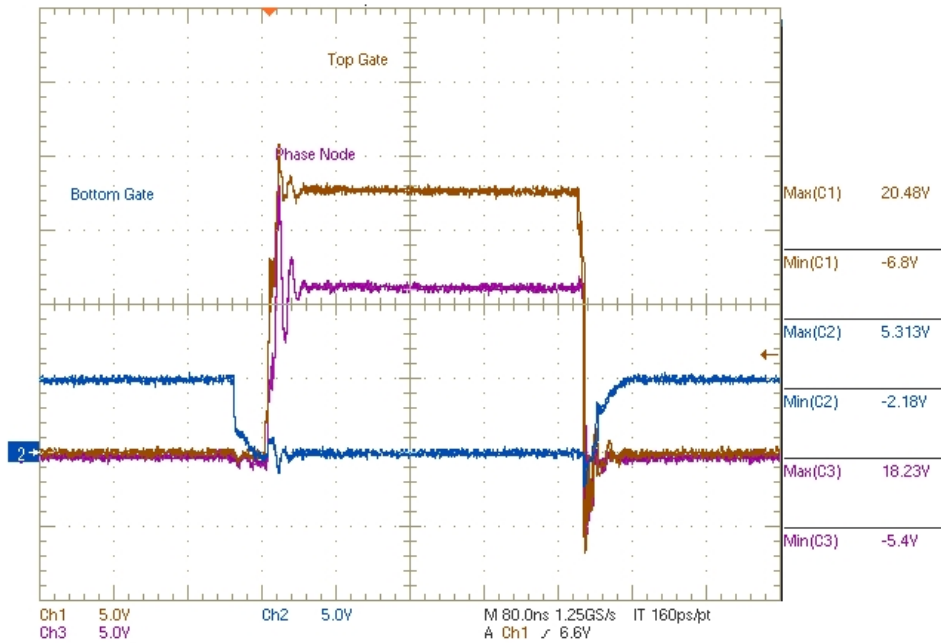


Figure 9. Switch Node Waveforms for  $V_{\text{drv}} = 5\text{ V}$

## ONS321A5VGEVB, ONS321B12VGEVB

(ii) At  $I_{out} = 20\text{ A}$  and  $V_{drvr} = 10\text{ V}$  ( $V_{in} = 12\text{ V}$ ;  $V_{out} = 1.2\text{ V}$ ; Freq = 330 kHz)

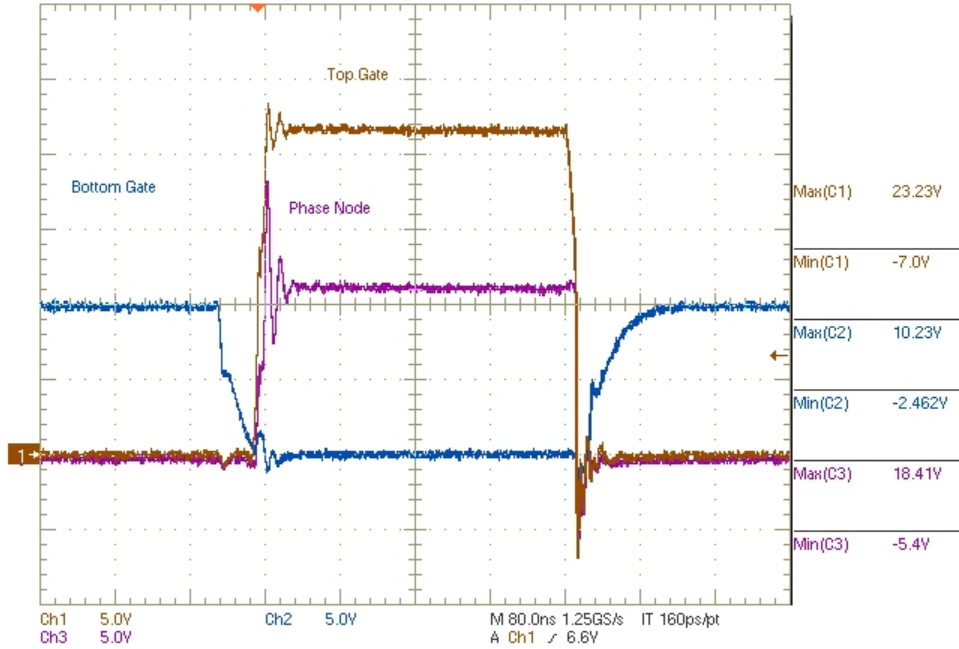


Figure 10. Switch Node Waveforms for  $V_{drvr} = 10\text{ V}$

### 7.4 PWM Signals from the Controller to the Driver at G1 of ONS321G Evaluation Board for $V_{drvr} = 5\text{ V}$ & $10\text{ V}^{**}$

(i) At  $I_{out} = 0\text{ A}$  ( $V_{in} = 12\text{ V}$ ;  $V_{out} = 1.2\text{ V}$ ;  $V_{drvr} = 10\text{ V}$ ; Freq = 330 kHz)

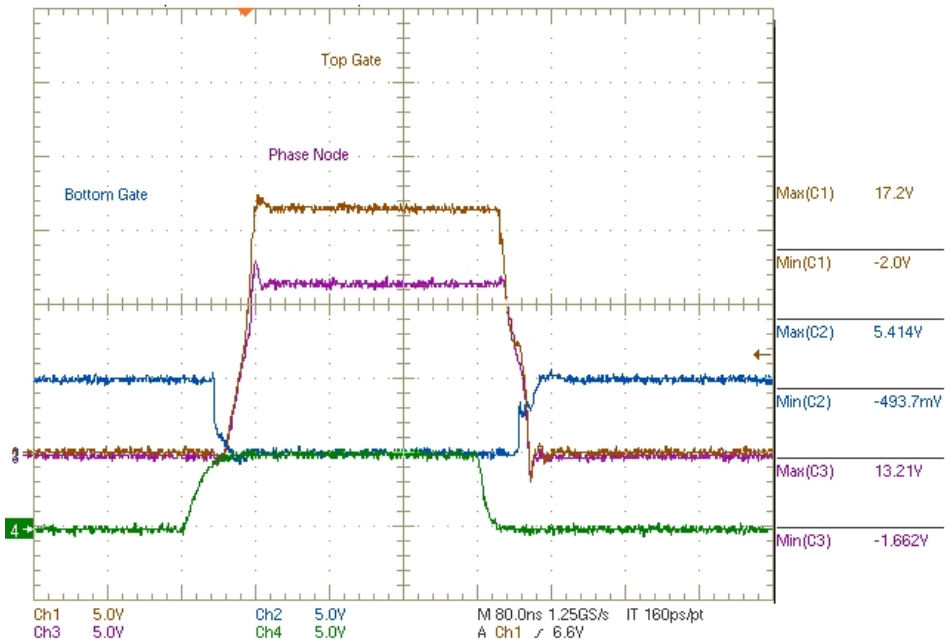


Figure 11. PWM Signal at G1 for  $I_{out} = 0\text{ A}$

# ONS321A5VGEVB, ONS321B12VGEVB

(ii) At  $I_{out} = 20\text{ A}$  ( $V_{in} = 12\text{ V}$ ;  $V_{out} = 1.2\text{ V}$ ;  $V_{drvr} = 10\text{ V}$ ; Freq = 330 kHz)

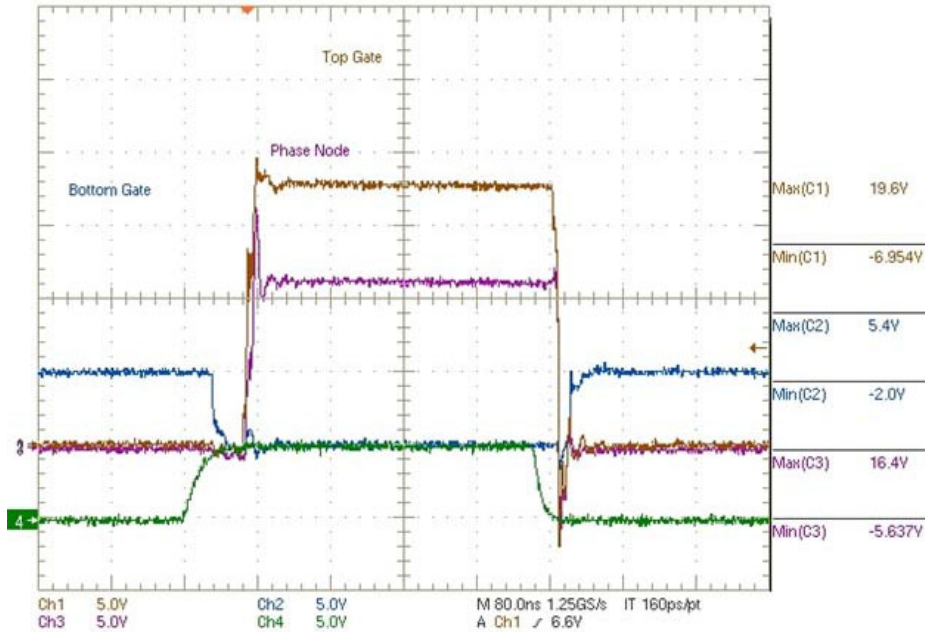
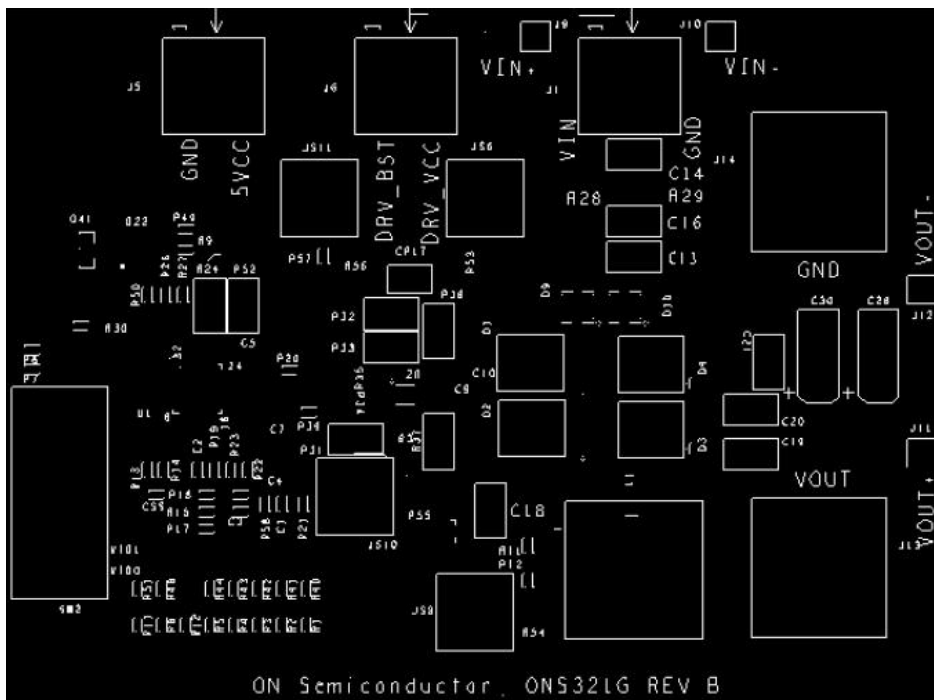


Figure 12. PWM Signal at G1 for  $I_{out} = 20\text{ A}$

NOTE: \*\* The efficiency, power loss, switch node and the PWM signal waveforms presented above are obtained with the 12 V driver (NCP5901) but by setting the driver voltage at 10 V.

## CIRCUIT BOARD LAYOUT

### Top Component Placement





Internal Copper Layer 2

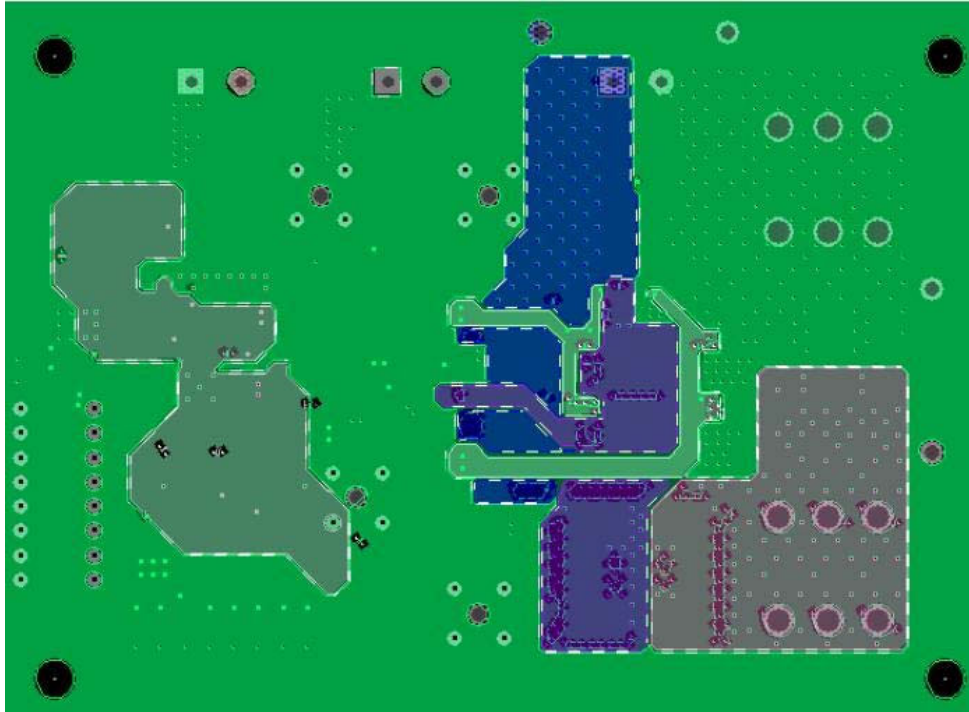


Figure 16. Internal Copper Layer 2 of ONS321G Evaluation Board

Internal Copper Layer 3

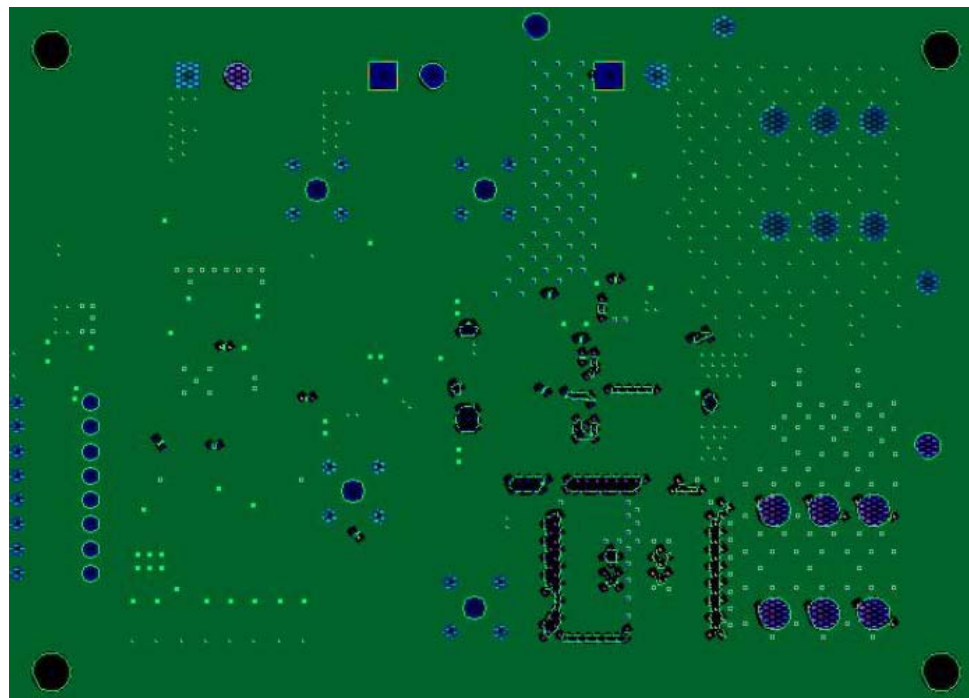


Figure 17. Internal Copper Layer 3 of ONS321G Evaluation Board

# ONS321A5VGEVB, ONS321B12VGEVB

## Bottom Copper Layer

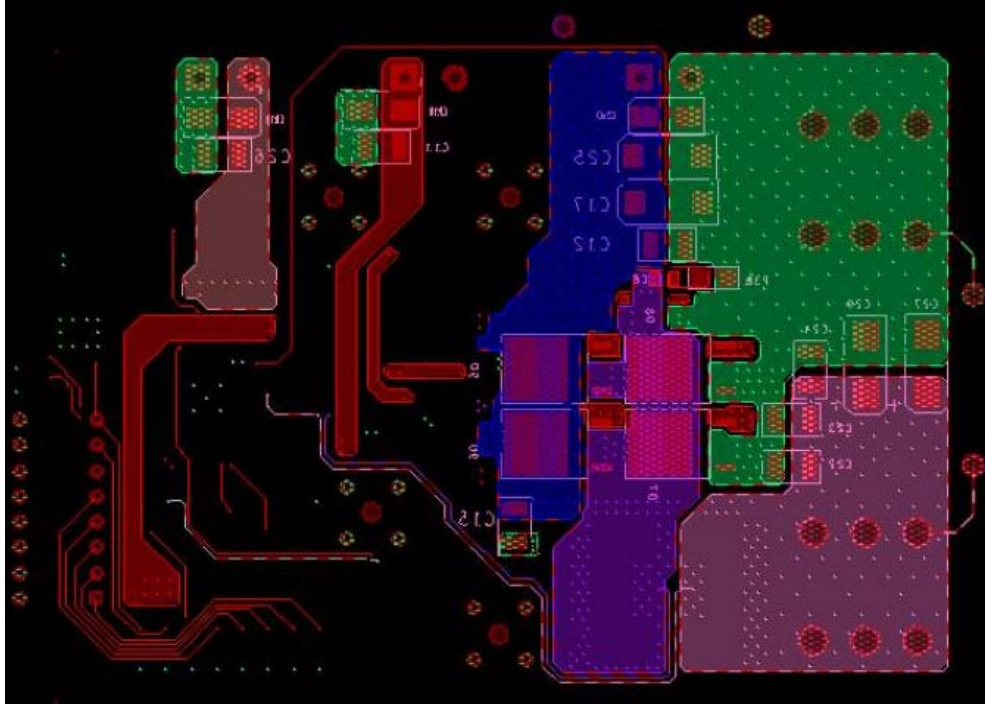


Figure 18. Copper Layer on the Bottom of ONS321G Evaluation Board

## APPENDIX

### Table of AMD VID Settings for NCP5386B Controller

Table 2. VID CONTROL SETTINGS FOR OUTPUT VOLTAGE

VID4	VID3	VID2	VID1	VID0	Nominal Vout (V)	Tolerance
0	0	0	0	0	1.550	±0.5%
0	0	0	0	1	1.525	±0.5%
0	0	0	1	0	1.500	±0.5%
0	0	0	1	1	1.475	±0.5%
0	0	1	0	0	1.450	±0.5%
0	0	1	0	1	1.425	±0.5%
0	0	1	1	0	1.400	±0.5%
0	0	1	1	1	1.375	±0.5%
0	1	0	0	0	1.350	±0.5%
0	1	0	0	1	1.325	±0.5%
0	1	0	1	0	1.300	±0.5%
0	1	0	1	1	1.275	±0.5%
0	1	1	0	0	1.250	±0.5%
0	1	1	0	1	1.225	±0.5%
0	1	1	1	0	1.200	±0.5%
0	1	1	1	1	1.175	±0.5%
1	0	0	0	0	1.150	±0.5%
1	0	0	0	1	1.125	±0.5%

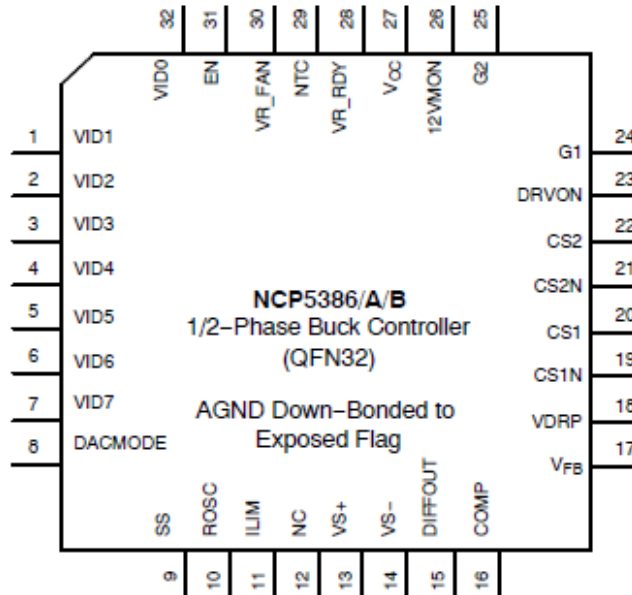
# ONS321A5VGEVB, ONS321B12VGEVB

**Table 2. VID CONTROL SETTINGS FOR OUTPUT VOLTAGE**

VID4	VID3	VID2	VID1	VID0	Nominal Vout (V)	Tolerance
1	0	0	1	0	1.100	±0.5%
1	0	0	1	1	1.075	±0.5%
1	0	1	0	0	1.050	±0.5%
1	0	1	0	1	1.025	±0.5%
1	0	1	1	0	1.000	±0.5%
1	0	1	1	1	0.975	±5.0 mV
1	1	0	0	0	0.950	±5.0 mV
1	1	0	0	1	0.925	±5.0 mV
1	1	0	1	0	0.900	±5.0 mV
1	1	0	1	1	0.875	±5.0 mV
1	1	1	0	0	0.850	±5.0 mV
1	1	1	0	1	0.825	±5.0 mV
1	1	1	1	0	0.800	±5.0 mV
1	1	1	1	1	Shutdown	-

## Pin Diagram of NCP5386B Controller

### NCP5386, NCP5386A, NCP5386B



**Figure 19. Top View of the Pin Diagram of NCP5386B**

### Switching Frequency of the Oscillator

The switching frequency of the oscillator can only be changed by changing the resistors R13 and R14.

For more information on NCP5386B: see Data Sheet of NCP5386B.

ON Semiconductor and the ON Semiconductor logo are trademarks of Semiconductor Components Industries, LLC dba ON Semiconductor or its subsidiaries in the United States and/or other countries. ON Semiconductor owns the rights to a number of patents, trademarks, copyrights, trade secrets, and other intellectual property. A listing of ON Semiconductor's product/patent coverage may be accessed at [www.onsemi.com/site/pdf/Patent-Marking.pdf](http://www.onsemi.com/site/pdf/Patent-Marking.pdf). ON Semiconductor is an Equal Opportunity/Affirmative Action Employer. This literature is subject to all applicable copyright laws and is not for resale in any manner.

The evaluation board/kit (research and development board/kit) (hereinafter the "board") is not a finished product and is as such not available for sale to consumers. The board is only intended for research, development, demonstration and evaluation purposes and should as such only be used in laboratory/development areas by persons with an engineering/technical training and familiar with the risks associated with handling electrical/mechanical components, systems and subsystems. This person assumes full responsibility/liability for proper and safe handling. Any other use, resale or redistribution for any other purpose is strictly prohibited.

The board is delivered "AS IS" and without warranty of any kind including, but not limited to, that the board is production-worthy, that the functions contained in the board will meet your requirements, or that the operation of the board will be uninterrupted or error free. ON Semiconductor expressly disclaims all warranties, express, implied or otherwise, including without limitation, warranties of fitness for a particular purpose and non-infringement of intellectual property rights.

ON Semiconductor reserves the right to make changes without further notice to any board.

You are responsible for determining whether the board will be suitable for your intended use or application or will achieve your intended results. Prior to using or distributing any systems that have been evaluated, designed or tested using the board, you agree to test and validate your design to confirm the functionality for your application. Any technical, applications or design information or advice, quality characterization, reliability data or other services provided by ON Semiconductor shall not constitute any representation or warranty by ON Semiconductor, and no additional obligations or liabilities shall arise from ON Semiconductor having provided such information or services.

The boards are not designed, intended, or authorized for use in life support systems, or any FDA Class 3 medical devices or medical devices with a similar or equivalent classification in a foreign jurisdiction, or any devices intended for implantation in the human body. Should you purchase or use the board for any such unintended or unauthorized application, you shall indemnify and hold ON Semiconductor and its officers, employees, subsidiaries, affiliates, and distributors harmless against all claims, costs, damages, and expenses, and reasonable attorney fees arising out of, directly or indirectly, any claim of personal injury or death associated with such unintended or unauthorized use, even if such claim alleges that ON Semiconductor was negligent regarding the design or manufacture of the board.

This evaluation board/kit does not fall within the scope of the European Union directives regarding electromagnetic compatibility, restricted substances (RoHS), recycling (WEEE), FCC, CE or UL, and may not meet the technical requirements of these or other related directives.

**FCC WARNING** – This evaluation board/kit is intended for use for engineering development, demonstration, or evaluation purposes only and is not considered by ON Semiconductor to be a finished end product fit for general consumer use. It may generate, use, or radiate radio frequency energy and has not been tested for compliance with the limits of computing devices pursuant to part 15 of FCC rules, which are designed to provide reasonable protection against radio frequency interference. Operation of this equipment may cause interference with radio communications, in which case the user shall be responsible, at its expense, to take whatever measures may be required to correct this interference.

ON Semiconductor does not convey any license under its patent rights nor the rights of others.

**LIMITATIONS OF LIABILITY:** ON Semiconductor shall not be liable for any special, consequential, incidental, indirect or punitive damages, including, but not limited to the costs of requalification, delay, loss of profits or goodwill, arising out of or in connection with the board, even if ON Semiconductor is advised of the possibility of such damages. In no event shall ON Semiconductor's aggregate liability from any obligation arising out of or in connection with the board, under any theory of liability, exceed the purchase price paid for the board, if any.

For more information and documentation, please visit [www.onsemi.com](http://www.onsemi.com).

---

## PUBLICATION ORDERING INFORMATION

### LITERATURE FULFILLMENT:

Email Requests to: [orderlit@onsemi.com](mailto:orderlit@onsemi.com)

ON Semiconductor Website: [www.onsemi.com](http://www.onsemi.com)

### TECHNICAL SUPPORT

North American Technical Support:

Voice Mail: 1 800-282-9855 Toll Free USA/Canada

Phone: 011 421 33 790 2910

Europe, Middle East and Africa Technical Support:

Phone: 00421 33 790 2910

For additional information, please contact your local Sales Representative

