



Is Now Part of



ON Semiconductor®

To learn more about ON Semiconductor, please visit our website at
www.onsemi.com

Please note: As part of the Fairchild Semiconductor integration, some of the Fairchild orderable part numbers will need to change in order to meet ON Semiconductor's system requirements. Since the ON Semiconductor product management systems do not have the ability to manage part nomenclature that utilizes an underscore (_), the underscore (_) in the Fairchild part numbers will be changed to a dash (-). This document may contain device numbers with an underscore (_). Please check the ON Semiconductor website to verify the updated device numbers. The most current and up-to-date ordering information can be found at www.onsemi.com. Please email any questions regarding the system integration to Fairchild_questions@onsemi.com.

ON Semiconductor and the ON Semiconductor logo are trademarks of Semiconductor Components Industries, LLC dba ON Semiconductor or its subsidiaries in the United States and/or other countries. ON Semiconductor owns the rights to a number of patents, trademarks, copyrights, trade secrets, and other intellectual property. A listing of ON Semiconductor's product/patent coverage may be accessed at www.onsemi.com/site/pdf/Patent-Marking.pdf. ON Semiconductor reserves the right to make changes without further notice to any products herein. ON Semiconductor makes no warranty, representation or guarantee regarding the suitability of its products for any particular purpose, nor does ON Semiconductor assume any liability arising out of the application or use of any product or circuit, and specifically disclaims any and all liability, including without limitation special, consequential or incidental damages. Buyer is responsible for its products and applications using ON Semiconductor products, including compliance with all laws, regulations and safety requirements or standards, regardless of any support or applications information provided by ON Semiconductor. "Typical" parameters which may be provided in ON Semiconductor data sheets and/or specifications can and do vary in different applications and actual performance may vary over time. All operating parameters, including "Typicals" must be validated for each customer application by customer's technical experts. ON Semiconductor does not convey any license under its patent rights nor the rights of others. ON Semiconductor products are not designed, intended, or authorized for use as a critical component in life support systems or any FDA Class 3 medical devices or medical devices with a same or similar classification in a foreign jurisdiction or any devices intended for implantation in the human body. Should Buyer purchase or use ON Semiconductor products for any such unintended or unauthorized application, Buyer shall indemnify and hold ON Semiconductor and its officers, employees, subsidiaries, affiliates, and distributors harmless against all claims, costs, damages, and expenses, and reasonable attorney fees arising out of, directly or indirectly, any claim of personal injury or death associated with such unintended or unauthorized use, even if such claim alleges that ON Semiconductor was negligent regarding the design or manufacture of the part. ON Semiconductor is an Equal Opportunity/Affirmative Action Employer. This literature is subject to all applicable copyright laws and is not for resale in any manner.

100336 Low Power 4-Stage Counter/Shift Register

General Description

The 100336 operates as either a modulo-16 up/down counter or as a 4-bit bidirectional shift register. Three Select (S_n) inputs determine the mode of operation, as shown in the Function Select table. Two Count Enable (\overline{CEP} , \overline{CET}) inputs are provided for ease of cascading in multistage counters. One Count Enable (\overline{CET}) input also doubles as a Serial Data (D_0) input for shift-up operation. For shift-down operation, D_3 is the Serial Data input. In counting operations the Terminal Count (\overline{TC}) output goes LOW when the counter reaches 15 in the count/up mode or 0 (zero) in the count/down mode. In the shift modes, the \overline{TC} output repeats the Q_3 output. The dual nature of this \overline{TC}/Q_3 output and the D_0/\overline{CET} input means that one interconnection from one stage to the next higher stage serves as the link for multistage counting or shift-up operation. The indi-

vidual Preset (P_n) inputs are used to enter data in parallel or to preset the counter in programmable counter applications. A HIGH signal on the Master Reset (MR) input overrides all other inputs and asynchronously clears the flip-flops. In addition, a synchronous clear is provided, as well as a complement function which synchronously inverts the contents of the flip-flops. All inputs have 50 k Ω pull-down resistors.

Features

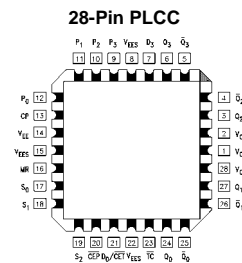
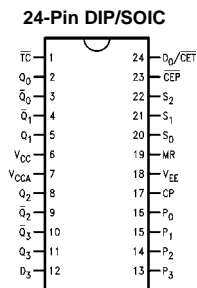
- 40% power reduction of the 100136
- 2000V ESD protection
- Pin/function compatible with 100136
- Voltage compensated operating range = -4.2V to -5.7V
- Available to industrial grade temperature range

Ordering Code:

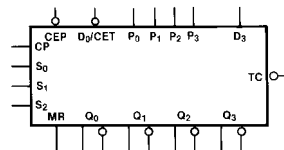
Order Number	Package Number	Package Description
100336SC	M24B	24-Lead Small Outline Integrated Circuit (SOIC), JEDEC MS-013, 0.300 Wide
100336PC	N24E	24-Lead Plastic Dual-In-Line Package (PDIP), JEDEC MS-010, 0.400 Wide
100336QC	V28A	28-Lead Plastic Lead Chip Carrier (PLCC), JEDEC MO-047, 0.450 Square
100336QI	V28A	28-Lead Plastic Lead Chip Carrier (PLCC), JEDEC MO-047, 0.450 Square Industrial Temperature Range (-40°C to +85°C)

Devices also available in Tape and Reel. Specify by appending the suffix letter "X" to the ordering code.

Connection Diagrams



Logic Symbol



Function Select Table

S ₂	S ₁	S ₀	Function
L	L	L	Parallel Load
L	L	H	Complement
L	H	L	Shift Left
L	H	H	Shift Right
H	L	L	Count Down
H	L	H	Clear
H	H	L	Count Up
H	H	H	Hold

Pin Descriptions

Pin Names	Description
CP	Clock Pulse Input
$\overline{\text{CEP}}$	Count Enable Parallel Input (Active LOW)
$\overline{\text{D}_0/\text{CET}}$	Serial Data Input/Count Enable Trickle Input (Active LOW)
S ₀ –S ₂	Select Inputs
MR	Master Reset Input
P ₀ –P ₃	Preset Inputs
D ₃	Serial Data Input
TC	Terminal Count Output
Q ₀ –Q ₃	Data Outputs
$\overline{\text{Q}_0}$ – $\overline{\text{Q}_3}$	Complementary Data Outputs

Truth Table

Q₀ = LSB

Inputs								Outputs						Mode
MR	S ₂	S ₁	S ₀	$\overline{\text{CEP}}$	$\overline{\text{D}_0/\text{CET}}$	D ₃	CP	Q ₃	Q ₂	Q ₁	Q ₀	$\overline{\text{TC}}$		
L	L	L	L	X	X	X	↘	P ₃	P ₂	P ₁	P ₀	L	Preset (Parallel Load)	
L	L	L	H	X	X	X	↘	$\overline{\text{Q}_3}$	$\overline{\text{Q}_2}$	$\overline{\text{Q}_1}$	$\overline{\text{Q}_0}$	L	Invert	
L	L	H	L	X	X	X	↘	D ₃	Q ₃	Q ₂	Q ₁	D ₃	Shift to LSB	
L	L	H	H	X	X	X	↘	Q ₂	Q ₁	Q ₀	D ₀	Q ₃ (Note 1)	Shift to MSB	
L	H	L	L	L	L	X	↘	(Q _{0–3}) minus 1				1	Count Down	
L	H	L	L	H	L	X	X	Q ₃	Q ₂	Q ₁	Q ₀	1	Count Down with $\overline{\text{CEP}}$ not active	
L	H	L	L	X	H	X	X	Q ₃	Q ₂	Q ₁	Q ₀	H	Count Down with $\overline{\text{CET}}$ not active	
L	H	L	H	X	X	X	↘	L	L	L	L	H	Clear	
L	H	H	L	L	L	X	↘	(Q _{0–3}) plus 1				2	Count Up	
L	H	H	L	H	L	X	X	Q ₃	Q ₂	Q ₁	Q ₀	2	Count Up with $\overline{\text{CEP}}$ not active	
L	H	H	L	X	H	X	X	Q ₃	Q ₂	Q ₁	Q ₀	H	Count Up with $\overline{\text{CET}}$ not active	
L	H	H	H	X	X	X	X	Q ₃	Q ₂	Q ₁	Q ₀	H	Hold	
H	L	L	L	X	X	X	X	L	L	L	L	L	Asynchronous Master Reset	
H	L	L	H	X	X	X	X	L	L	L	L	L		
H	L	H	L	X	X	X	X	L	L	L	L	L		
H	L	H	H	X	X	X	X	L	L	L	L	L		
H	H	L	L	X	L	X	X	L	L	L	L	L		
H	H	L	L	X	H	X	X	L	L	L	L	H		
H	H	L	H	X	X	X	X	L	L	L	L	H		
H	H	H	L	X	X	X	X	L	L	L	L	H		
H	H	H	H	X	X	X	X	L	L	L	L	H		

1 = L if Q₀–Q₃ = LLLLH if Q₀–Q₃ ≠ LLLL2 = L if Q₀–Q₃ = HHHHH if Q₀–Q₃ ≠ HHHH

H = HIGH Voltage Level

L = LOW Voltage Level

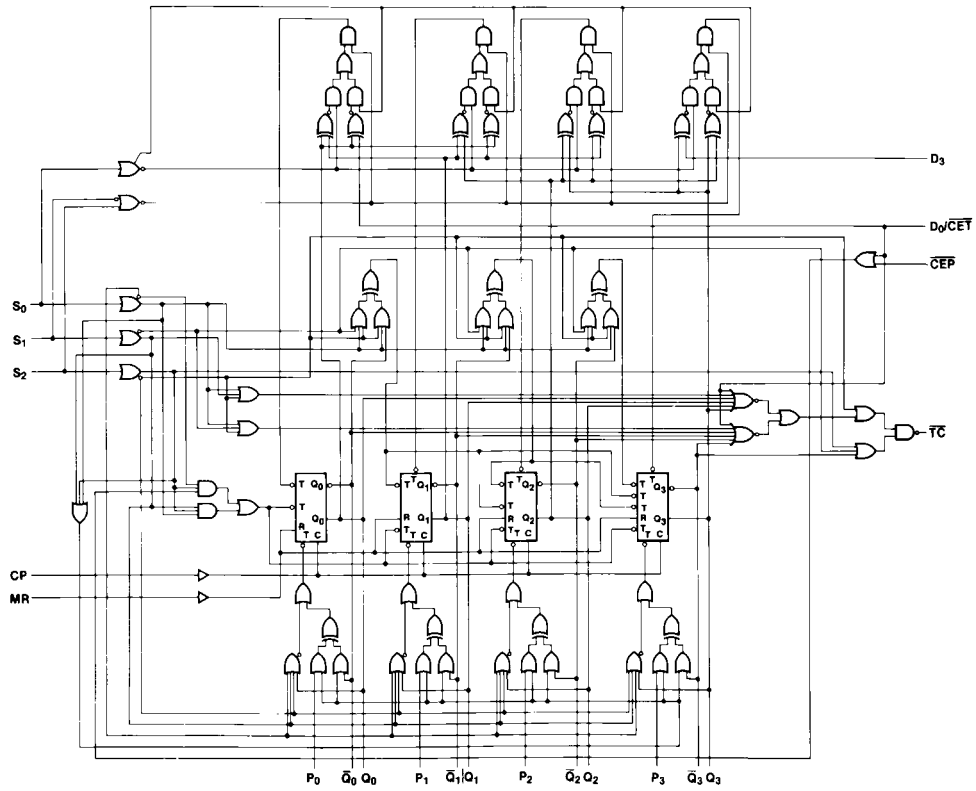
X = Don't Care

↘ = LOW-to-HIGH Transition

Note 1: Before the clock, $\overline{\text{TC}}$ is Q₃After the clock, $\overline{\text{TC}}$ is Q₂

Logic Diagram

100336



Absolute Maximum Ratings (Note 2)

Storage Temperature (T_{STG})	-65°C to +150°C
Maximum Junction Temperature (T_J)	+150°C
V_{EE} Pin Potential to Ground Pin	-7.0V to +0.5V
Input Voltage (DC)	V_{EE} to +0.5V
Output Current (DC Output HIGH)	-50 mA
ESD (Note 3)	$\geq 2000V$

Recommended Operating Conditions

Case Temperature (T_C)	Commercial	0°C to +85°C
	Industrial	-40°C to +85°C
Supply Voltage (V_{EE})		-5.7V to -4.2V

Note 2: Absolute maximum ratings are those values beyond which the device may be damaged or have its useful life impaired. Functional operation under these conditions is not implied.

Note 3: ESD testing conforms to MIL-STD-883, Method 3015.

Commercial Version**DC Electrical Characteristics** (Note 4)

$V_{EE} = -4.2V$ to $-5.7V$, $V_{CC} = V_{CCA} = GND$, $T_C = 0^\circ C$ to $+85^\circ C$

Symbol	Parameter	Min	Typ	Max	Units	Conditions	
V_{OH}	Output HIGH Voltage	-1025	-955	-870	mV	$V_{IN} = V_{IH} (Max)$ or $V_{IL} (Min)$	Loading with 50Ω to -2.0V
V_{OL}	Output LOW Voltage	-1830	-1705	-1620	mV		
V_{OHC}	Output HIGH Voltage	-1035			mV	$V_{IN} = V_{IH} (Min)$ or $V_{IL} (Max)$	Loading with 50Ω to -2.0V
V_{OLC}	Output LOW Voltage			-1610	mV		
V_{IH}	Input HIGH Voltage	-1165		-870	mV	Guaranteed HIGH Signal for All Inputs	
V_{IL}	Input LOW Voltage	-1830		-1475	mV	Guaranteed LOW Signal for All Inputs	
I_{IL}	Input LOW Current	0.50			μA	$V_{IN} = V_{IL} (Min)$	
I_{IH}	Input HIGH Current			240	μA	$V_{IN} = V_{IH} (Max)$	
I_{EE}	Power Supply Current	-165		-80		Inputs Open	

Note 4: The specified limits represent the "worst case" value for the parameter. Since these values normally occur at the temperature extremes, additional noise immunity and guardbanding can be achieved by decreasing the allowable system operating ranges. Conditions for testing shown in the tables are chosen to guarantee operation under "worst case" conditions.

Commercial Version (Continued) DIP AC Characteristics

 $V_{EE} = -4.2V$ to $-5.7V$, $V_{CC} = V_{CCA} = GND$

Symbol	Parameter	$T_C = 0^\circ C$		$T_C = +25^\circ C$		$T_C = +85^\circ C$		Units	Conditions
		Min	Max	Min	Max	Min	Max		
f_{SHIFT}	Shift Frequency	300		300		300		MHz	Figures 2, 3
t_{PLH} t_{PHL}	Propagation Delay CP to Q_n, \overline{Q}_n	1.00	2.00	1.00	2.00	1.00	2.00	ns	Figures 1, 3 (Note 5)
t_{PLH} t_{PHL}	Propagation Delay CP to \overline{TC} (Shift)	2.10	3.50	2.10	3.50	2.10	3.70	ns	Figures 1, 7, 8 (Note 5)
t_{PLH} t_{PHL}	Propagation Delay CP to \overline{TC} (Count)	2.40	4.40	2.40	4.40	2.60	4.70	ns	Figures 1, 9 (Note 5)
t_{PLH} t_{PHL}	Propagation Delay MR to Q_n, \overline{Q}_n	1.40	2.50	1.40	2.50	1.50	2.60	ns	Figures 1, 4 (Note 5)
t_{PLH} t_{PHL}	Propagation Delay MR to \overline{TC} (Count)	2.80	5.10	2.90	5.20	3.10	5.50	ns	Figures 1, 12 (Note 5)
t_{PHL}	Propagation Delay MR to \overline{TC} (Shift)	2.40	4.00	2.40	4.00	2.50	4.10	ns	Figures 1, 10, 11 (Note 5)
t_{PLH} t_{PHL}	Propagation Delay D_0/\overline{CET} to \overline{TC}	1.80	3.10	1.80	3.10	1.90	3.30	ns	Figures 1, 5 (Note 5)
t_{PLH} t_{PHL}	Propagation Delay S_n to \overline{TC}	1.90	4.10	1.90	4.10	2.10	4.40	ns	(Note 5)
t_{TLH} t_{THL}	Transition Time 20% to 80%, 80% to 20%	0.35	1.20	0.35	1.20	0.35	1.20	ns	Figures 1, 3
t_s	Setup Time D_3 P_n D_0/\overline{CET} \overline{CEP} S_n MR (Release Time)	1.00 1.50 1.30 1.40 3.40 2.60		1.00 1.50 1.30 1.40 3.40 2.60		1.00 1.50 1.30 1.40 3.40 2.60		ns	Figures 6, 4
t_H	Hold Time D_3 P_n D_0/\overline{CET} \overline{CEP} S_n	0.40 0.30 0.30 0.20 0.10		0.40 0.30 0.30 0.20 0.10		0.40 0.30 0.30 0.20 0.10		ns	Figure 6
$t_{PW(H)}$	Pulse Width HIGH CP, MR	2.00		2.00		2.00		ns	Figures 3, 4

Note 5: The propagation delay specified is for single output switching. Delays may vary up to 250 ps with multiple outputs switching.

SOIC and PLCC AC Electrical Characteristics

 $V_{EE} = -4.2V \text{ to } -5.7V, V_{CC} = V_{CCA} = GND$

Symbol	Parameter	$T_C = 0^\circ C$		$T_C = +25^\circ C$		$T_C = +85^\circ C$		Units	Conditions
		Min	Max	Min	Max	Min	Max		
f_{SHIFT}	Shift Frequency	350		350		350		MHz	Figures 2, 3
t_{PLH} t_{PHL}	Propagation Delay CP to Q_n, \overline{Q}_n	1.00	1.80	1.00	1.80	1.00	1.80	ns	Figures 1, 2 (Note 6)
t_{PLH} t_{PHL}	Propagation Delay CP to \overline{TC} (Shift)	2.10	3.30	2.10	3.30	2.10	3.50	ns	Figures 1, 7, 8 (Note 6)
t_{PLH} t_{PHL}	Propagation Delay CP to \overline{TC} (Count)	2.40	4.20	2.40	4.20	2.60	4.50	ns	Figures 1, 9 (Note 6)
t_{PLH} t_{PHL}	Propagation Delay MR to Q_n, \overline{Q}_n	1.40	2.30	1.40	2.30	1.50	2.40	ns	Figures 1, 4 (Note 6)
t_{PLH} t_{PHL}	Propagation Delay MR to \overline{TC} (Count)	2.80	4.90	2.90	5.00	3.10	5.30	ns	Figures 1, 12 (Note 6)
t_{PLH} t_{PHL}	Propagation Delay MR to \overline{TC} (Shift)	2.40	3.80	2.40	3.80	2.50	3.90	ns	Figures 1, 10, 11 (Note 6)
t_{PLH} t_{PHL}	Propagation Delay D_0/\overline{CET} to \overline{TC}	1.80	2.90	1.80	2.90	1.90	3.10	ns	Figures 1, 5 (Note 6)
t_{PLH} t_{PHL}	Propagation Delay S_n to \overline{TC}	1.90	3.90	1.90	3.90	2.10	4.20	ns	(Note 6)
t_{TLH} t_{THL}	Transition Time 20% to 80%, 80% to 20%	0.35	1.10	0.35	1.10	0.35	1.10	ns	Figures 1, 3
t_S	Setup Time D_3 P_n D_0/\overline{CET} \overline{CEP} S_n MR (Release Time)	0.90 1.40 1.20 1.30 3.30 2.50		0.90 1.40 1.20 1.30 3.30 2.50		0.90 1.40 1.20 1.30 3.30 2.50		ns	Figures 4, 6
t_H	Hold Time D_3 P_n D_0/\overline{CET} \overline{CEP} S_n	0.30 0.20 0.20 0.10 0.00		0.30 0.20 0.20 0.10 0.00		0.30 0.20 0.20 0.10 0.00		ns	Figure 6
$t_{PW(H)}$	Pulse Width HIGH CP, MR	2.00		2.00		2.00		ns	Figures 3, 4
t_{OSHL}	Maximum Skew Common Edge Output-to-Output Variation Clock to Output Path		200		200		200	ps	PLCC Only (Note 7)
t_{OSLH}	Maximum Skew Common Edge Output-to-Output Variation Clock to Output Path		200		200		200	ps	PLCC Only (Note 7)
t_{OST}	Maximum Skew Opposite Edge Output-to-Output Variation Clock to Output Path		230		230		230	ps	PLCC Only (Note 7)
t_{PS}	Maximum Skew Pin (Signal) Transition Variation Clock to Output Path		245		245		245	ps	PLCC Only (Note 7)

Note 6: The propagation delay specified is for single output switching. Delays may vary up to 250 ps with multiple outputs switching.

Note 7: Output-to-Output Skew is defined as the absolute value of the difference between the actual propagation delay for any outputs within the same packaged device. The specifications apply to any outputs switching in the same direction either HIGH-to-LOW (t_{OSHL}), or LOW-to-HIGH (t_{OSLH}), or in opposite directions both HL and LH (t_{OST}). Parameters t_{OST} and t_{PS} guaranteed by design

Industrial Version

PLCC DC Electrical Characteristics (Note 8)

 $V_{EE} = -4.2V \text{ to } -5.7V, V_{CC} = V_{CCA} = GND, T_C = -40^\circ C \text{ to } +85^\circ C$

Symbol	Parameter	$T_C = -40^\circ C$		$T_C = 0^\circ C \text{ to } +85^\circ C$		Units	Conditions	
		Min	Max	Min	Max			
V_{OH}	Output HIGH Voltage	-1085	-870	-1025	-870	mV	$V_{IN} = V_{IH} \text{ (Max)}$	Loading with 50Ω to -2.0V
V_{OL}	Output LOW Voltage	-1830	-1575	-1830	-1620	mV	or $V_{IL} \text{ (Min)}$	
V_{OHC}	Output HIGH Voltage	-1095		-1035		mV	$V_{IN} = V_{IH} \text{ (Min)}$	Loading with 50Ω to -2.0V
V_{OLC}	Output LOW Voltage		-1565		-1610	mV	or $V_{IL} \text{ (Max)}$	
V_{IH}	Input HIGH Voltage	-1170	-870	-1165	-870	mV	Guaranteed HIGH Signal for All Inputs	
V_{IL}	Input LOW Voltage	-1830	-1480	-1830	-1475	mV	Guaranteed LOW Signal for All Inputs	
I_{IL}	Input LOW Current	0.50		0.50		μA	$V_{IN} = V_{IL} \text{ (Min)}$	
I_{IH}	Input HIGH Current		240		240	μA	$V_{IN} = V_{IH} \text{ (Max)}$	
I_{EE}	Power Supply Current	-165	-75	-165	-80	mA	Inputs Open	

Note 8: The specified limits represent the "worst case" value for the parameter. Since these values normally occur at the temperature extremes, additional noise immunity and guardbanding can be achieved by decreasing the allowable system operating ranges. Conditions for testing shown in the tables are chosen to guarantee operation under "worst case" conditions.

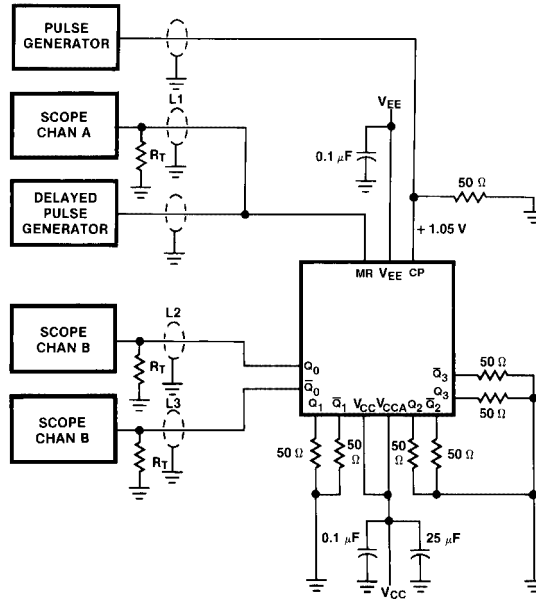
PLCC AC Electrical Characteristics

 $V_{EE} = -4.2V \text{ to } -5.7V, V_{CC} = V_{CCA} = GND$

Symbol	Parameter	$T_C = -40^\circ C$		$T_C = +25^\circ C$		$T_C = +85^\circ C$		Units	Conditions
		Min	Max	Min	Max	Min	Max		
f_{SHIFT}	Shift Frequency	325		350		350		MHz	Figures 2, 3
t_{PLH}	Propagation Delay	1.00	1.80	1.00	1.80	1.00	1.80	ns	Figures 1, 3 (Note 9)
t_{PHL}	CP to Q_n, \overline{Q}_n								
t_{PLH}	Propagation Delay	2.00	3.30	2.10	3.30	2.10	3.50	ns	Figures 1, 7, 8 (Note 9)
t_{PHL}	CP to \overline{TC} (Shift)								
t_{PLH}	Propagation Delay	2.40	4.20	2.40	4.20	2.60	4.50	ns	Figures 1, 9 (Note 9)
t_{PHL}	CP to \overline{TC} (Count)								
t_{PLH}	Propagation Delay	1.40	2.30	1.40	2.30	1.50	2.40	ns	Figures 1, 4 (Note 9)
t_{PHL}	MR to Q_n, \overline{Q}_n								
t_{PLH}	Propagation Delay	2.80	4.90	2.90	5.00	3.10	5.30	ns	Figures 1, 12 (Note 9)
t_{PHL}	MR to \overline{TC} (Count)								
t_{PHL}	Propagation Delay	2.40	3.80	2.40	3.80	2.50	3.90	ns	Figures 1, 10, 11 (Note 9)
t_{PHL}	MR to \overline{TC} (Shift)								
t_{PLH}	Propagation Delay	1.70	2.90	1.80	2.90	1.90	3.10	ns	Figures 1, 5 (Note 9)
t_{PHL}	D_0/\overline{CET} to \overline{TC}								
t_{PLH}	Propagation Delay	1.80	3.90	1.90	3.90	2.10	4.20	ns	Figures 1, 10, 11 (Note 9)
t_{PHL}	S_n to \overline{TC}								
t_{TLH}	Transition Time	0.20	1.90	0.35	1.10	0.35	1.10	ns	Figures 1, 3
t_{THL}	20% to 80%, 80% to 20%								
t_s	Setup Time							ns	Figure 6
	D_3	1.40		0.90		0.90			
	P_n	1.70		1.40		1.40			
	D_0/\overline{CET}	1.80		1.20		1.20			
	\overline{CEP}	1.80		1.30		1.30			
	S_n	3.30		3.30		3.30			
	MR (Release Time)	2.60		2.50		2.50			
t_H	Hold Time							ns	Figure 6
	D_3	0.90		0.30		0.30			
	P_n	1.00		0.20		0.20			
	D_0/\overline{CET}	0.70		0.20		0.20			
	\overline{CEP}	0.60		0.10		0.10			
	S_n	0.00		0.00		0.00			
$t_{PW(H)}$	Pulse Width HIGH CP, MR	2.20		2.00		2.00		ns	Figures 3, 4

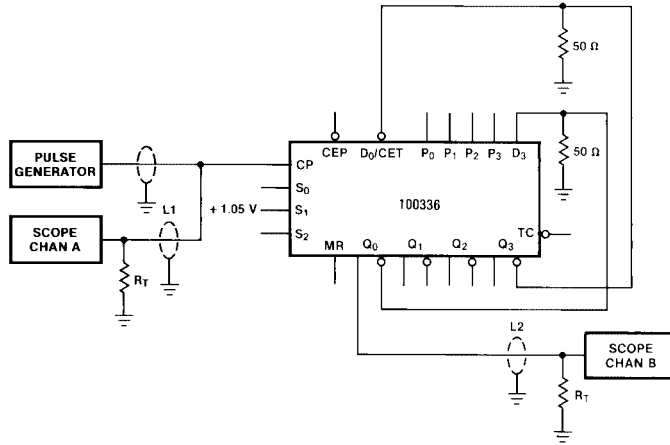
Note 9: The propagation delay specified is for single output switching. Delays may vary up to 250 ps with multiple outputs switching.

Test Circuitry



Notes:
 $V_{CC}, V_{CCA} = +2V, V_{EE} = -2.5V$
 $L1, L2$ and $L3 =$ equal length 50Ω impedance lines
 $R_T = 50\Omega$ terminator internal to scope
 Decoupling $0.1 \mu F$ from GND to V_{CC} and V_{EE}
 All unused outputs are loaded with 50Ω to GND
 $C_L =$ Fixture and stray capacitance $\leq 3 pF$

FIGURE 1. AC Test Circuit



Notes:
 For shift right mode, $+1.05V$ is applied at S_0 .
 The feedback path from output to input should be as short as possible.

FIGURE 2. Shift Frequency Test Circuit (Shift Left)

Switching Waveforms

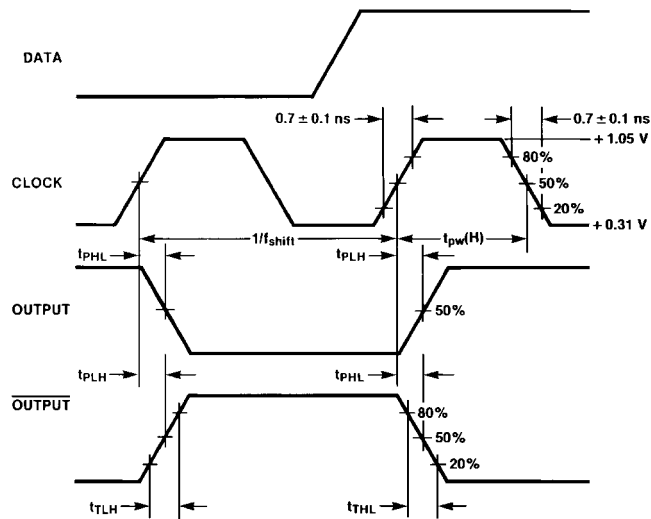


FIGURE 3. Propagation Delay (Clock) and Transition Times

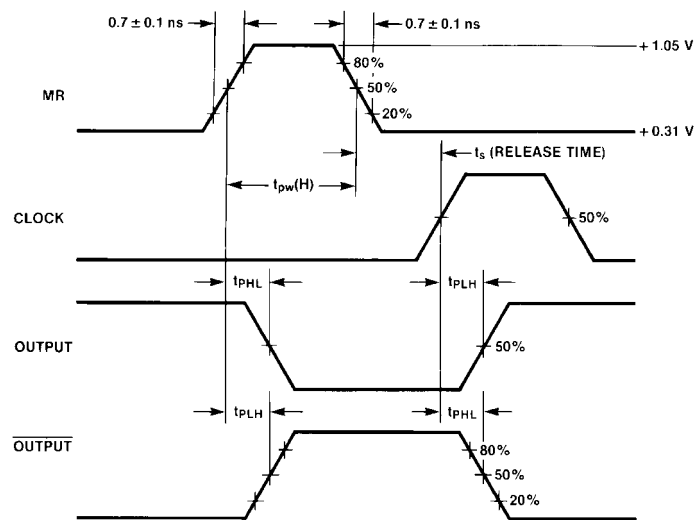


FIGURE 4. Propagation Delay (Reset)

Switching Waveforms (Continued)

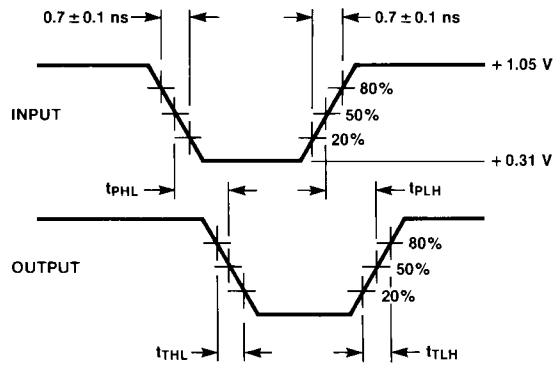
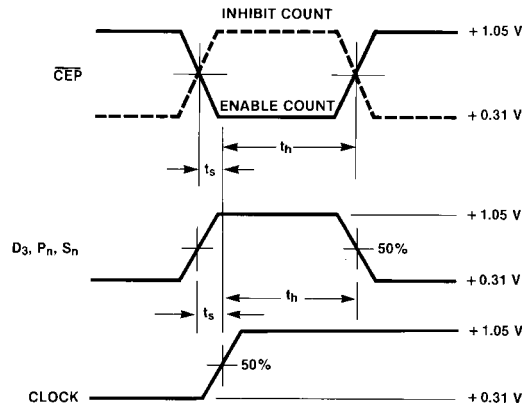


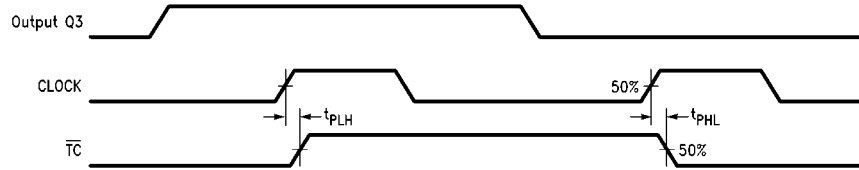
FIGURE 5. Propagation Delay (Serial Data, Selects)



Notes:

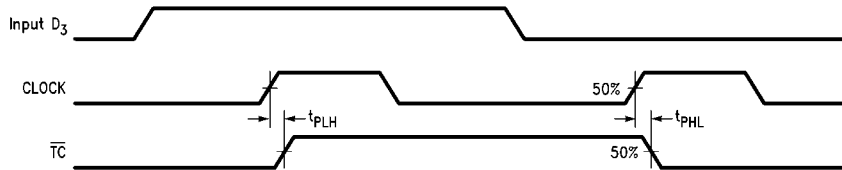
t_s is the minimum time before the transition of the clock that information must be present at the data input.
 t_h is the minimum time after the transition of the clock that information must remain unchanged at the data input.

FIGURE 6. Setup and Hold Time



Note: Shift Right Mode; $S_0 = H, S_1 = H, S_2 = L$.

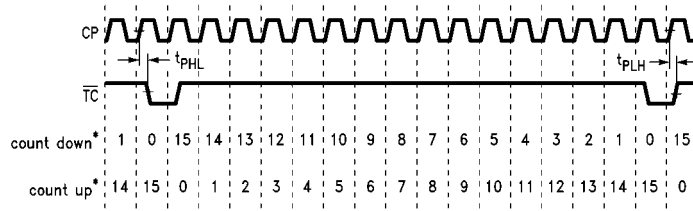
FIGURE 7. Propagation Delay, Clock to Terminal Count (Shift Right Mode)



Note: Shift Left Mode; $S_0 = L, S_1 = H, S_2 = L$.

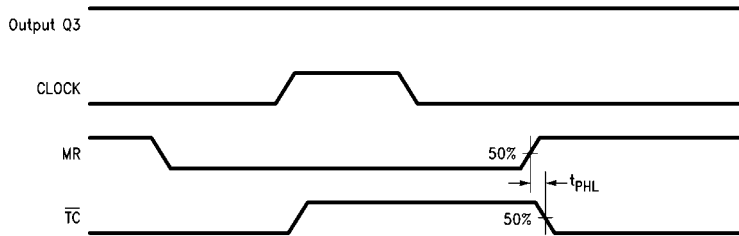
FIGURE 8. Propagation Delay, Clock to Terminal Count (Shift Left Mode)

Switching Waveforms (Continued)



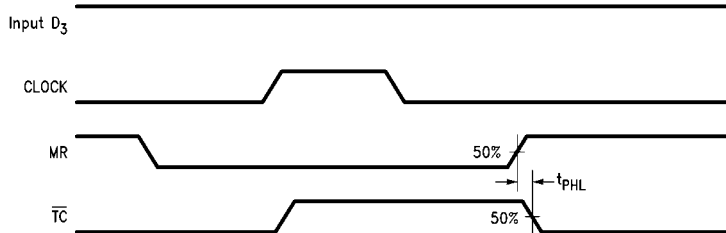
Note:
 *Decimal representation of binary outputs.
 Count Up: $S_0 = L, S_1 = H, S_2 = H$; Count Down: $S_0 = L, S_1 = L, S_2 = H$.
 Measurement taken at 50% point of waveform.

FIGURE 9. Propagation Delay, Clock to Terminal Count (Count Up and Count Down Modes)



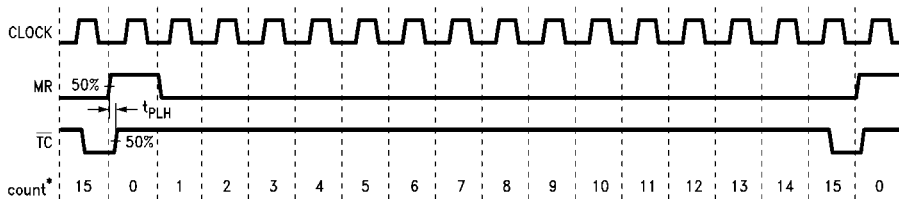
Note: Shift Right Mode; $S_0 = H, S_1 = H, S_2 = L$.

FIGURE 10. Propagation Delay, Master Reset to Terminal Count (Shift Right Mode)

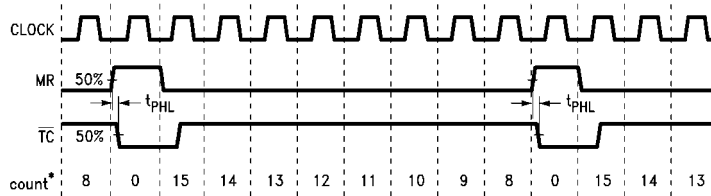


Note: Shift Left Mode; $S_0 = L, S_1 = H, S_2 = L$.

FIGURE 11. Propagation Delay, Master Reset to Terminal Count (Shift Left Mode)



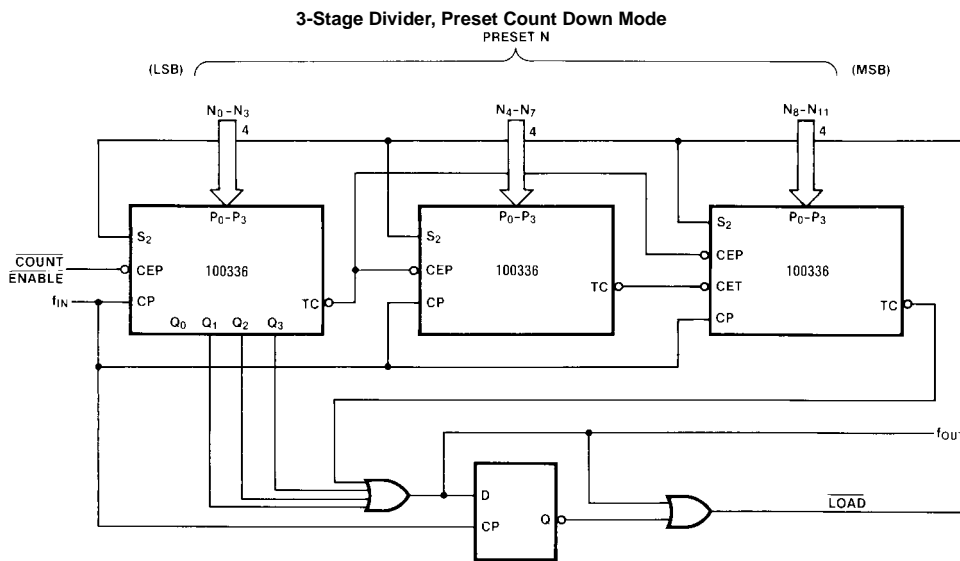
Note:
 *Decimal representation of binary outputs. Count Up Mode: $S_0 = L, S_1 = H, S_2 = H$.



Note:
 *Decimal representation of binary outputs. Count Down Mode: $S_0 = L, S_1 = L, S_2 = H$.

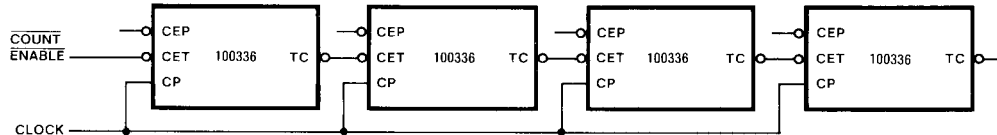
FIGURE 12. Propagation Delay, Master Reset to Terminal Count (Count Up and Count Down Modes)

Applications

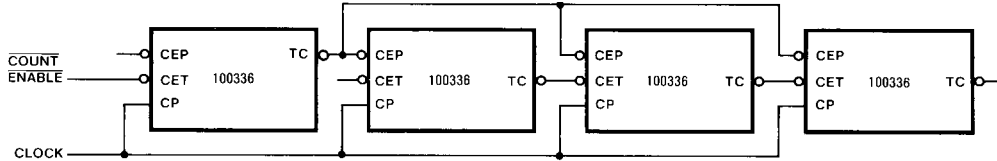


Note: If $S_0 = S_1 = S_2 = \text{LOW}$, then $T_C = \text{LOW}$

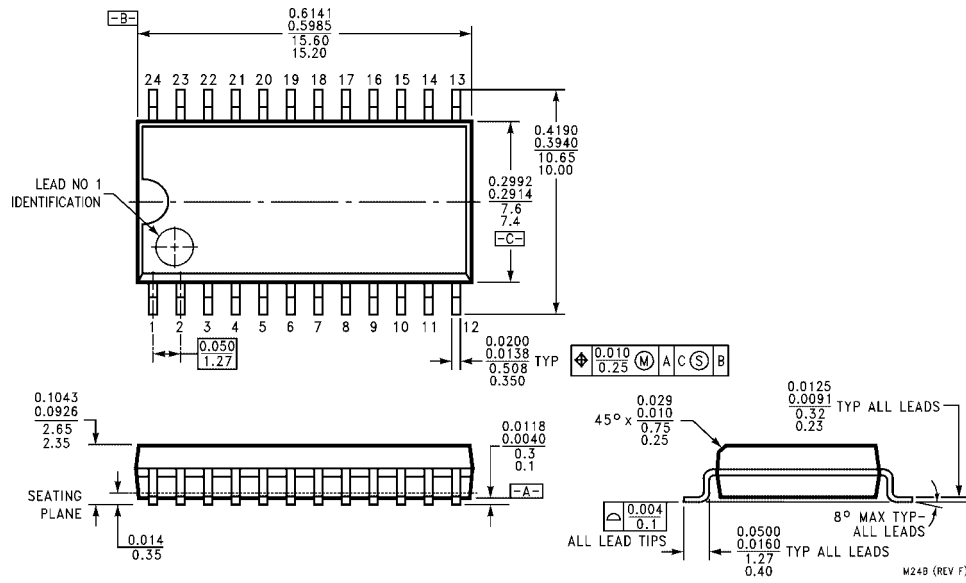
Slow Expansion Scheme



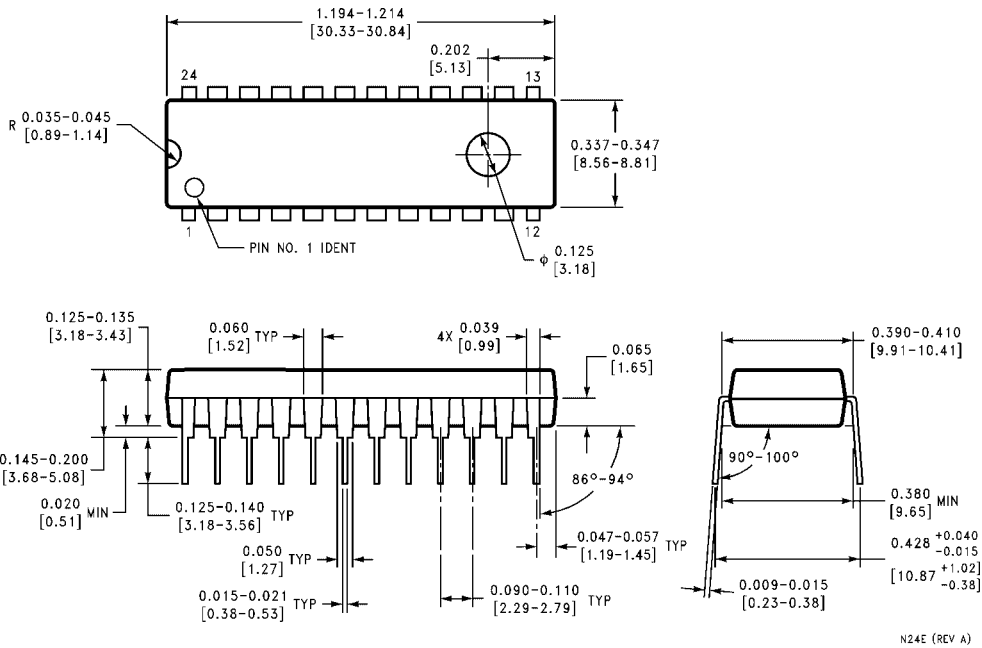
Fast Expansion Scheme



Physical Dimensions inches (millimeters) unless otherwise noted

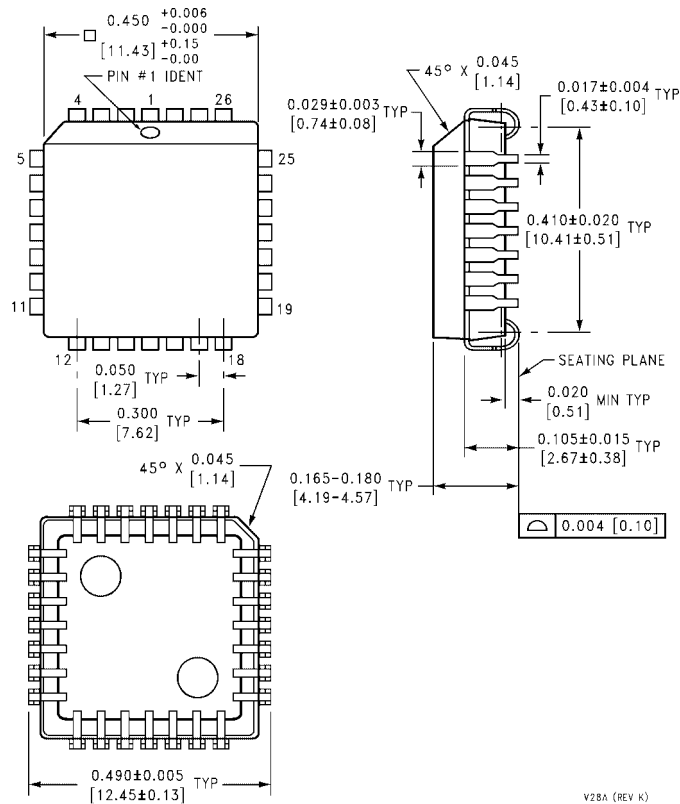


**24-Lead Small Outline Integrated Circuit (SOIC), JEDEC MS-013, 0.300 Wide
Package Number M24B**



**24-Lead Plastic Dual-In-Line Package (PDIP), JEDEC MS-010, 0.400 Wide
Package Number N24E**

Physical Dimensions inches (millimeters) unless otherwise noted (Continued)



28-Lead Plastic Lead Chip Carrier (PLCC), JEDEC MO-047, 0.450 Square Package Number V28A

Fairchild does not assume any responsibility for use of any circuitry described, no circuit patent licenses are implied and Fairchild reserves the right at any time without notice to change said circuitry and specifications.

LIFE SUPPORT POLICY

FAIRCHILD'S PRODUCTS ARE NOT AUTHORIZED FOR USE AS CRITICAL COMPONENTS IN LIFE SUPPORT DEVICES OR SYSTEMS WITHOUT THE EXPRESS WRITTEN APPROVAL OF THE PRESIDENT OF FAIRCHILD SEMICONDUCTOR CORPORATION. As used herein:

1. Life support devices or systems are devices or systems which, (a) are intended for surgical implant into the body, or (b) support or sustain life, and (c) whose failure to perform when properly used in accordance with instructions for use provided in the labeling, can be reasonably expected to result in a significant injury to the user.
2. A critical component in any component of a life support device or system whose failure to perform can be reasonably expected to cause the failure of the life support device or system, or to affect its safety or effectiveness.

www.fairchildsemi.com

ON Semiconductor and  are trademarks of Semiconductor Components Industries, LLC dba ON Semiconductor or its subsidiaries in the United States and/or other countries. ON Semiconductor owns the rights to a number of patents, trademarks, copyrights, trade secrets, and other intellectual property. A listing of ON Semiconductor's product/patent coverage may be accessed at www.onsemi.com/site/pdf/Patent-Marking.pdf. ON Semiconductor reserves the right to make changes without further notice to any products herein. ON Semiconductor makes no warranty, representation or guarantee regarding the suitability of its products for any particular purpose, nor does ON Semiconductor assume any liability arising out of the application or use of any product or circuit, and specifically disclaims any and all liability, including without limitation special, consequential or incidental damages. Buyer is responsible for its products and applications using ON Semiconductor products, including compliance with all laws, regulations and safety requirements or standards, regardless of any support or applications information provided by ON Semiconductor. "Typical" parameters which may be provided in ON Semiconductor data sheets and/or specifications can and do vary in different applications and actual performance may vary over time. All operating parameters, including "Typicals" must be validated for each customer application by customer's technical experts. ON Semiconductor does not convey any license under its patent rights nor the rights of others. ON Semiconductor products are not designed, intended, or authorized for use as a critical component in life support systems or any FDA Class 3 medical devices or medical devices with a same or similar classification in a foreign jurisdiction or any devices intended for implantation in the human body. Should Buyer purchase or use ON Semiconductor products for any such unintended or unauthorized application, Buyer shall indemnify and hold ON Semiconductor and its officers, employees, subsidiaries, affiliates, and distributors harmless against all claims, costs, damages, and expenses, and reasonable attorney fees arising out of, directly or indirectly, any claim of personal injury or death associated with such unintended or unauthorized use, even if such claim alleges that ON Semiconductor was negligent regarding the design or manufacture of the part. ON Semiconductor is an Equal Opportunity/Affirmative Action Employer. This literature is subject to all applicable copyright laws and is not for resale in any manner.

PUBLICATION ORDERING INFORMATION

LITERATURE FULFILLMENT:

Literature Distribution Center for ON Semiconductor
19521 E. 32nd Pkwy, Aurora, Colorado 80011 USA
Phone: 303-675-2175 or 800-344-3860 Toll Free USA/Canada
Fax: 303-675-2176 or 800-344-3867 Toll Free USA/Canada
Email: orderlit@onsemi.com

N. American Technical Support: 800-282-9855 Toll Free
USA/Canada
Europe, Middle East and Africa Technical Support:
Phone: 421 33 790 2910
Japan Customer Focus Center
Phone: 81-3-5817-1050

ON Semiconductor Website: www.onsemi.com
Order Literature: <http://www.onsemi.com/orderlit>
For additional information, please contact your local
Sales Representative