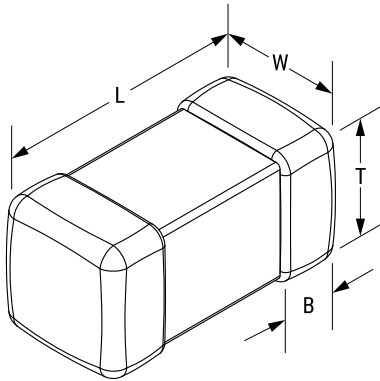


KEMET Part Number: L0806B1R5JSWST
(L0806B1R5JSWST)

KEMET, L-SWS, Commercial Grade, 1.5 uH, 5%



Dimensions	
Chip Size	0806
L	2mm +/-0.2mm
W	1.6mm +/-0.2mm
T	1.6mm +/-0.2mm
B	0.5mm +/-0.2mm

Packaging Specifications	
Packaging:	T&R
Packaging Quantity:	2000

General Information	
Series:	L-SWS
Style:	SMD Chip
RoHS:	Yes

Specifications	
Inductance:	1.5 uH
Inductance Tolerance:	5%
Temperature Range:	-40/+105°C
Current:	350 mAmps (MAX)
DC Resistance:	0.47 Ohms
Self-Resonant Frequency:	135 MHz MIN