

Leadless Power Inductors H.DI-0520 Series

[RoHS Compliant]

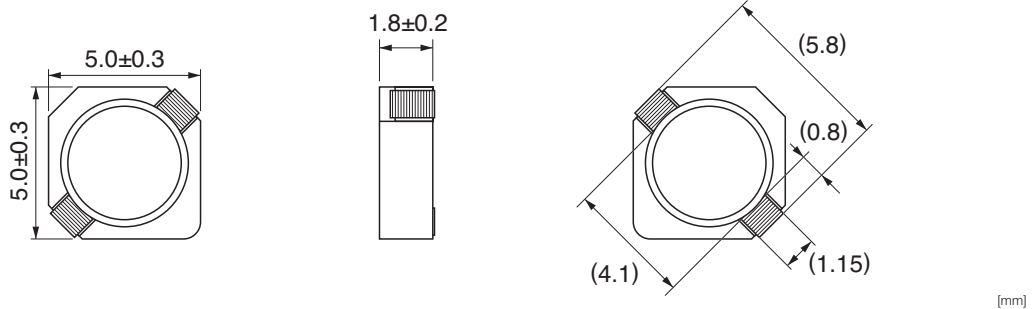


● **H.DI-0520 Series**

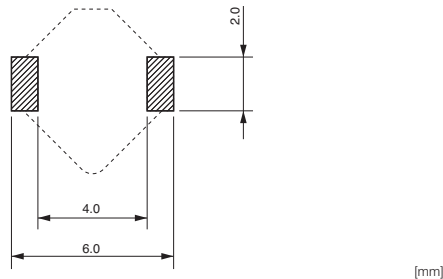
Model	Inductance at 100kHz, 1mA (μH)	DC resistance (Ω) max.	Rated current (A)
H.DI-0520-1R2	1.2±30%	0.035	3.40
H.DI-0520-2R2	2.2±30%	0.048	2.60
H.DI-0520-3R3	3.3±30%	0.062	2.00
H.DI-0520-4R7	4.7±30%	0.09	1.80
H.DI-0520-6R8	6.8±30%	0.14	1.40
H.DI-0520-100	10±20%	0.16	0.90
H.DI-0520-150	15±20%	0.26	0.70
H.DI-0520-220	22±20%	0.32	0.60
H.DI-0520-330	33±20%	0.54	0.40
H.DI-0520-470	47±20%	0.64	0.40
H.DI-0520-680	68±20%	1.07	0.30
H.DI-0520-101	100±20%	1.87	0.20

● Operating temperature range: -20 to +105°C (Including self-temperature rise)

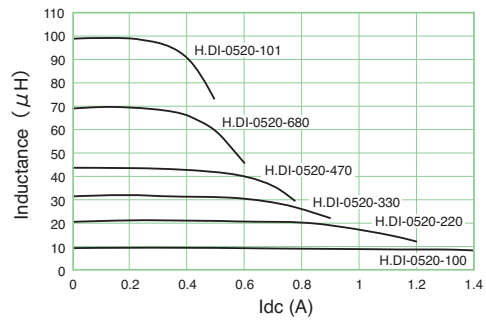
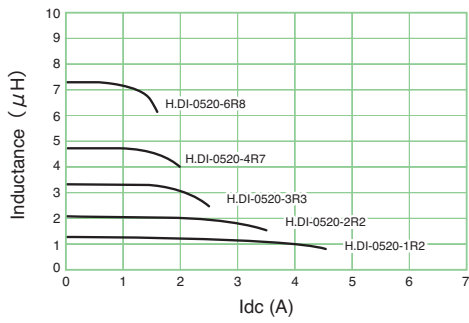
Shape and Dimensions



Recommended Land Pattern

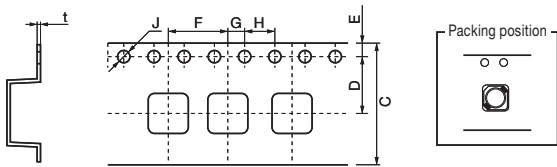


DC-Superposed Characteristics



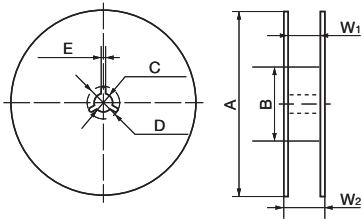
H.DI-0520 Series (2000pcs./reel)

Dimensions of indented square hole plastic tape



[mm]							
C	D	E	F	G	H	J	t
±0.3	±0.1	±0.1	±0.1	±0.1	±0.1	+0.1,-0	±0.05
12.0	5.5	1.75	8.0	2.0	4.0	1.5	0.4

Reel dimensions



[mm]						
A	B	C	D	E	W ₁	W ₂
330	80	±0.5	±1.0	±0.5	+2.0,-0	±2.0
		13.0	21.0	2.0	12.5	16.5