

REVISIONS

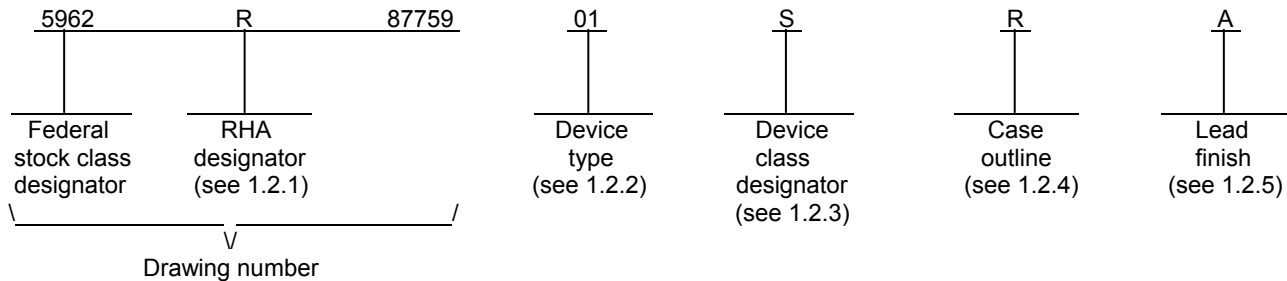
LTR	DESCRIPTION	DATE (YR-MO-DA)	APPROVED
A	Add B, S, Q, and V test limits. Change to one part-one part number format. Add ground bounce and latch-up immunity tests. Add 10.1, substitution statement. Changes to table I. Editorial changes throughout. - JAK	92-07-09	Monica L. Poelking
B	Change delay time for t_{PLZ} and t_{PHZ} for device class M. Editorial changes throughout. - JAK	99-02-02	Monica L. Poelking
C	Add device type 03. Add vendor CAGE F8859. Add case outlines X and Z. Make changes to radiation features. Update boilerplate to MIL-PRF-38535 requirements. - JAK	02-12-17	Thomas M. Hess
D	Add radiation features for device type 03 in section 1.5. Update the boilerplate to include radiation hardness assurance for device type 03. Editorial changes throughout. - TVN	05-05-20	Thomas M. Hess

REV																				
SHEET																				
REV	D	D	D	D	D	D	D	D	D	D										
SHEET	15	16	17	18	19	20	21	22	23	24										
REV STATUS OF SHEETS				REV		D	D	D	D	D	D	D	D	D	D	D	D	D	D	D
				SHEET		1	2	3	4	5	6	7	8	9	10	11	12	13	14	
PMIC N/A				PREPARED BY Jim Nicklaus						DEFENSE SUPPLY CENTER COLUMBUS COLUMBUS, OHIO 43218-3990 http://www.dscc.dla.mil										
STANDARD MICROCIRCUIT DRAWING THIS DRAWING IS AVAILABLE FOR USE BY ALL DEPARTMENTS AND AGENCIES OF THE DEPARTMENT OF DEFENSE AMSC N/A				CHECKED BY D. A. DiCenzo																
				APPROVED BY Michael A. Frye																
				DRAWING APPROVAL DATE 88-08-10																
				REVISION LEVEL D																
						SIZE A	CAGE CODE 67268	5962-87759												
						SHEET 1 OF 24														

1. SCOPE

1.1 Scope. This drawing documents two product assurance class levels consisting of high reliability (device classes B, Q, and M) and space application (device classes S and V). A choice of case outlines and lead finishes are available and are reflected in the Part or Identifying Number (PIN). When available, a choice of Radiation Hardness Assurance (RHA) levels are reflected in the PIN.

1.2 PIN. The PIN is as shown in the following example:



1.2.1 RHA designator. Device classes B, S, Q, and V RHA marked devices meet the MIL-PRF-38535 specified RHA levels and are marked with the appropriate RHA designator. Device class M RHA marked devices meet the MIL-PRF-38535, appendix A specified RHA levels and are marked with the appropriate RHA designator. A dash (-) indicates a non-RHA device.

1.2.2 Device type(s). The device type(s) identify the circuit function as follows:

<u>Device type</u>	<u>Generic number</u>	<u>Circuit function</u>
01	54ACT240	Octal buffer/line driver with inverting three-state outputs, TTL compatible inputs
02	54ACT11240	Octal buffer/line driver with inverting three-state outputs, TTL compatible inputs
03	54ACT240	Octal buffer/line driver with inverting three-state outputs, TTL compatible inputs

1.2.3 Device class designator. The device class designator is a single letter identifying the product assurance level as follows:

<u>Device class</u>	<u>Device requirements documentation</u>
M	Vendor self-certification to the requirements for MIL-STD-883 compliant, non-JAN class level B microcircuits in accordance with MIL-PRF-38535, appendix A
B, S, Q, or V	Certification and qualification to MIL-PRF-38535

1.2.4 Case outline(s). The case outline(s) are as designated in MIL-STD-1835 and as follows:

<u>Outline letter</u>	<u>Descriptive designator</u>	<u>Terminals</u>	<u>Package style</u>
R	GDIP1-T20 or CDIP2-T20	20	Dual-in-line
S	GDFP2-F20 or CDFP3-F20	20	Flat pack
L	GDIP3-T24 or CDIP4-T24	24	Dual-in-line
X	See figure 1	20	Flat pack
Z	GDFP1-G20	20	Flat pack with gullwing
2	CQCC1-N20	20	Square leadless chip carrier
3	CQCC1-N28	28	Square leadless chip carrier

STANDARD MICROCIRCUIT DRAWING DEFENSE SUPPLY CENTER COLUMBUS COLUMBUS, OHIO 43218-3990	SIZE A		5962-87759
		REVISION LEVEL D	SHEET 2

1.2.5 Lead finish. The lead finish is as specified in MIL-PRF-38535 for device classes B, S, Q, and V or MIL-PRF-38535, appendix A for device class M.

1.3 Absolute maximum ratings. 1/ 2/ 3/

Supply voltage range (V_{CC})	-0.5 V dc to +6.0 V dc
DC input voltage range (V_{IN})	-0.5 V dc to $V_{CC} + 0.5$ V dc
DC output voltage range (V_{OUT})	-0.5 V dc to $V_{CC} + 0.5$ V dc
Clamp diode current (I_{IK}, I_{OK})	± 20 mA
DC output current (I_{OUT})	± 50 mA
DC V_{CC} or GND current (I_{CC}, I_{GND})	± 200 mA 4/
Maximum power dissipation (P_D)	500 mW
Storage temperature range (T_{STG})	-65°C to +150°C
Lead temperature (soldering, 10 seconds):	
Case outline X	+260°C
All other case outlines except case X	+300°C
Thermal resistance, junction-to-case (θ_{JC})	See MIL-STD-1835
Junction temperature (T_J)	175°C

1.4 Recommended operating conditions. 2/ 3/

Supply voltage range (V_{CC})	+4.5 V dc to +5.5 V dc
Input voltage range (V_{IN})	0.0 V dc to V_{CC}
Output voltage range (V_{OUT})	0.0 V dc to V_{CC}
Minimum high level input voltage (V_{IH})	2.0 V at $V_{CC} = 4.5$ V and 5.5 V
Maximum low level input voltage (V_{IL})	0.8 V at $V_{CC} = 4.5$ V and 5.5 V
Maximum high level output current (I_{OH})	-24 mA
Maximum low level output current (I_{OL})	+24 mA
Maximum input rise or fall time rate ($\Delta t/\Delta V$):	
$V_{CC} = 4.5$ V	10 ns/V
$V_{CC} = 5.5$ V	8 ns/V
Case operating temperature range (T_C)	-55°C to +125°C

1.5 Radiation features.

Device type 01:	
Total dose (dose rate = 50 – 300 rads (Si)/s)	100 krad (Si)
Single Event Latch-up (SEL)	≥ 100 MeV-cm ² /mg
Device type 03:	
Total dose (dose rate = 50 – 300 rads (Si)/s)	300 krad (Si)
Single Event Latch-up (SEL)	≥ 93 MeV-cm ² /mg

- 1/ Stresses above the absolute maximum rating may cause permanent damage to the device. Extended operation at the maximum levels may degrade performance and affect reliability. The maximum junction temperature shall not be exceeded except for allowable short duration burn-in screening conditions in accordance with method 5004 of MIL-STD-883.
- 2/ Unless otherwise specified, all voltages are referenced to GND.
- 3/ The limits for the parameters specified herein shall apply over the full specified V_{CC} range and case temperature range of -55°C to +125°C.
- 4/ For packages with multiple V_{CC} or GND pins, this value represents the maximum total current flowing into or out of all V_{CC} or GND pins.

STANDARD MICROCIRCUIT DRAWING DEFENSE SUPPLY CENTER COLUMBUS COLUMBUS, OHIO 43218-3990	SIZE A		5962-87759
		REVISION LEVEL D	SHEET 3

2. APPLICABLE DOCUMENTS

2.1 Government specification, standards, and handbooks. The following specification, standards, and handbooks form a part of this drawing to the extent specified herein. Unless otherwise specified, the issues of these documents are those cited in the solicitation or contract.

DEPARTMENT OF DEFENSE SPECIFICATION

MIL-PRF-38535 - Integrated Circuits, Manufacturing, General Specification for.

DEPARTMENT OF DEFENSE STANDARDS

MIL-STD-883 - Test Method Standard Microcircuits.
 MIL-STD-1835 - Interface Standard Electronic Component Case Outlines.

DEPARTMENT OF DEFENSE HANDBOOKS

MIL-HDBK-103 - List of Standard Microcircuit Drawings.
 MIL-HDBK-780 - Standard Microcircuit Drawings.

(Copies of these documents are available online at <http://assist.daps.dla.mil/quicksearch/> or <http://assist.daps.dla.mil> or from the Standardization Document Order Desk, 700 Robbins Avenue, Building 4D, Philadelphia, PA 19111-5094.)

2.2 Non-Government publications. The following document(s) form a part of this document to the extent specified herein. Unless otherwise specified, the issues of these documents are those cited in the solicitation or contract.

ELECTRONIC INDUSTRIES ALLIANCE (EIA)

EIA/JEDEC Standard No. 78 - IC Latch-up Test
 JEDEC Standard No. 20 - Standard for Description of 54/74ACXXXX and 54/74ACTXXXX Advanced High-Speed CMOS Devices.

(Copies of these documents are available online at <http://www.jedec.org> or from Electronic Industries Alliance, 2500 Wilson Boulevard, Arlington, VA 22201-3834.)

2.3 Order of precedence. In the event of a conflict between the text of this drawing and the references cited herein, the text of this drawing takes precedence. Nothing in this document, however, supersedes applicable laws and regulations unless a specific exemption has been obtained.

3. REQUIREMENTS

3.1 Item requirements. The individual item requirements for device classes B, S, Q, and V shall be in accordance with MIL-PRF-38535 and as specified herein or as modified in the device manufacturer's Quality Management (QM) plan. The modification in the QM plan shall not affect the form, fit, or function as described herein. The individual item requirements for device class M shall be in accordance with MIL-PRF-38535, appendix A for non-JAN class level B devices and as specified herein.

3.2 Design, construction, and physical dimensions. The design, construction, and physical dimensions shall be as specified in MIL-PRF-38535 and herein for device classes B, S, Q, and V or MIL-PRF-38535, appendix A and herein for device class M.

- 3.2.1 Case outlines. The case outlines shall be in accordance with 1.2.4 and figure 1 herein.
- 3.2.2 Terminal connections. The terminal connections shall be as specified on figure 2.
- 3.2.3 Truth table. The truth table shall be as specified on figure 3.
- 3.2.4 Logic diagram. The logic diagram shall be as specified on figure 4.

STANDARD MICROCIRCUIT DRAWING DEFENSE SUPPLY CENTER COLUMBUS COLUMBUS, OHIO 43218-3990	SIZE A		5962-87759
		REVISION LEVEL D	SHEET 4

3.2.5 Ground bounce load circuit and waveforms. The ground bounce load circuit and waveforms shall be as specified on figure 5.

3.2.6 Switching waveforms and test circuit. The switching waveforms and test circuit shall be as specified on figure 6.

3.2.7 Radiation exposure circuit. The radiation exposure circuit shall be maintained by the manufacturer under document revision level control and shall be made available to the preparing or acquiring activity upon request.

3.3 Electrical performance characteristics and postirradiation parameter limits. Unless otherwise specified herein, the electrical performance characteristics and post irradiation parameter limits are as specified in table I and shall apply over the full case operating temperature range.

3.4 Electrical test requirements. The electrical test requirements shall be the subgroups specified in table II. The electrical tests for each subgroup are defined in table I.

3.5 Marking. The part shall be marked with the PIN listed in 1.2 herein. In addition, the manufacturer's PIN may also be marked. For packages where marking of the entire SMD PIN number is not feasible due to space limitations, the manufacturer has the option of not marking the "5962-" on the device. For RHA product using this option, the RHA designator shall still be marked. Marking for device classes B, S, Q, and V shall be in accordance with MIL-PRF-38535. Marking for device class M shall be in accordance with MIL-PRF-38535, appendix A.

3.5.1 Certification/compliance mark. The certification mark for device classes B, S, Q, and V shall be a "QML" or "Q" as required in MIL-PRF-38535. The compliance mark for device class M shall be a "C" as required in MIL-PRF-38535, appendix A.

3.6 Certificate of compliance. For device classes B, S, Q, and V, a certificate of compliance shall be required from a QML-38535 listed manufacturer in order to supply to the requirements of this drawing (see 6.6.1 herein). For device class M, a certificate of compliance shall be required from a manufacturer in order to be listed as an approved source of supply in MIL-HDBK-103 (see 6.6.2 herein). The certificate of compliance submitted to DSCC-VA prior to listing as an approved source of supply for this drawing shall affirm that the manufacturer's product meets, for device classes B, S, Q, and V, the requirements of MIL-PRF-38535 and herein or for device class M, the requirements of MIL-PRF-38535, appendix A and herein.

3.7 Certificate of conformance. A certificate of conformance as required for device classes B, S, Q, and V in MIL-PRF-38535 or for device class M in MIL-PRF-38535, appendix A shall be provided with each lot of microcircuits delivered to this drawing.

3.8 Notification of change for device class M. For device class M, notification to DSCC-VA of change of product (see 6.2 herein) involving devices acquired to this drawing is required for any change that affects this drawing.

3.9 Verification and review for device class M. For device class M, DSCC, DSCC's agent, and the acquiring activity retain the option to review the manufacturer's facility and applicable required documentation. Offshore documentation shall be made available onshore at the option of the reviewer.

3.10 Microcircuit group assignment for device class M. Device class M devices covered by this drawing shall be in microcircuit group number 37 (see MIL-PRF-38535, appendix A).

3.11 Substitution. Substitution data shall be as indicated in the appendix herein.

STANDARD MICROCIRCUIT DRAWING DEFENSE SUPPLY CENTER COLUMBUS COLUMBUS, OHIO 43218-3990	SIZE A		5962-87759
		REVISION LEVEL D	SHEET 5

TABLE I. Electrical performance characteristics.

Test and MIL-STD-883 test method <u>1/</u>	Symbol	Test conditions <u>2/ 3/</u> -55°C ≤ T _C ≤ +125°C +4.5 V ≤ V _{CC} ≤ +5.5 V unless otherwise specified	Device type and device class	V _{CC}	Group A subgroups	Limits <u>4/</u>		Unit
						Min	Max	
High level output voltage 3006	V _{OH1} <u>5/</u>	For all inputs affecting output under test, V _{IN} = 2.0 V or 0.8 V For all other inputs, V _{IN} = V _{CC} or GND I _{OH} = -50 μA	All All	4.5 V	1, 2, 3	4.4		V
	V _{OH2} <u>6/ 7/</u>	For all inputs affecting output under test, V _{IN} = 2.0 V or 0.8 V For all other inputs, V _{IN} = V _{CC} or GND I _{OH} = -50 μA	All All	5.5 V	1, 2, 3	5.4		
	V _{OH3} <u>6/ 7/</u>	For all inputs affecting output under test, V _{IN} = 2.0 V or 0.8 V For all other inputs, V _{IN} = V _{CC} or GND I _{OH} = -24 mA	All All	4.5 V	1, 2, 3	3.7		
	V _{OH4} <u>5/</u>	For all inputs affecting output under test, V _{IN} = 2.0 V or 0.8 V For all other inputs, V _{IN} = V _{CC} or GND I _{OH} = -24 mA	All All	5.5 V	1, 2, 3	4.7		
V _{OH5} <u>6/ 7/ 8/</u>	For all inputs affecting output under test, V _{IN} = 2.0 V or 0.8 V For all other inputs, V _{IN} = V _{CC} or GND I _{OH} = -50 mA	All All	5.5 V	1, 2, 3	3.85			
								M, D, P, L, R
Low level output voltage 3007	V _{OL1} <u>5/</u>	For all inputs affecting output under test, V _{IN} = 2.0 V or 0.8 V For all other inputs, V _{IN} = V _{CC} or GND I _{OL} = 50 μA	All All	4.5 V	1, 2, 3		0.1	V
	V _{OL2} <u>6/ 7/</u>	For all inputs affecting output under test, V _{IN} = 2.0 V or 0.8 V For all other inputs, V _{IN} = V _{CC} or GND I _{OL} = 50 μA	All All	5.5 V	1, 2, 3		0.1	
								M, D, P, L, R

See footnotes at end of table.

STANDARD MICROCIRCUIT DRAWING DEFENSE SUPPLY CENTER COLUMBUS COLUMBUS, OHIO 43218-3990	SIZE A		5962-87759
		REVISION LEVEL D	SHEET 6

TABLE I. Electrical performance characteristics - Continued.

Test and MIL-STD-883 test method <u>1/</u>	Symbol	Test conditions <u>2/ 3/</u> -55°C ≤ T _C ≤ +125°C +4.5 V ≤ V _{CC} ≤ +5.5 V unless otherwise specified	Device type and device class	V _{CC}	Group A subgroups	Limits <u>4/</u>		Unit	
						Min	Max		
Low level output voltage 3007	V _{OL3} <u>6/ 7/</u>	For all inputs affecting output under test, V _{IN} = 2.0 V or 0.8 V For all other inputs, V _{IN} = V _{CC} or GND I _{OL} = 24 mA	All B, S, Q, V	4.5 V	1, 3		0.4	V	
							2		0.5
			All M				1		0.4
							2, 3		0.5
			M, D, P, L, R	01 B, S, Q, V		1	0.4		
	V _{OL4} <u>5/</u>	For all inputs affecting output under test, V _{IN} = 2.0 V or 0.8 V For all other inputs, V _{IN} = V _{CC} or GND I _{OL} = 24 mA	All B, S, Q, V	5.5 V	1, 3		0.4		
							2		0.5
			All M				1		0.4
							2, 3		0.5
	V _{OL5} <u>6/ 7/ 8/</u>	For all inputs affecting output under test, V _{IN} = 2.0 V or 0.8 V For all other inputs, V _{IN} = V _{CC} or GND I _{OL} = 50 mA	All All	5.5 V	1, 2, 3		1.65		
		M, D, P, L, R	01 B, S, Q, V		1	1.65			
Positive input clamp voltage 3022	V _{IC+} <u>6/ 7/</u>	For inputs under test, I _{IN} = 1 mA	All B, S, Q, V	GND	1	0.4	1.5	V	
							1		0.4
		M, D, P, L, R	01 B, S, Q, V		1	0.4	1.5		
Negative input clamp voltage 3022	V _{IC-} <u>6/ 7/</u>	For inputs under test, I _{IN} = -1 mA	All B, S, Q, V	Open	1	-0.4	-1.5	V	
							1		-0.4
		M, D, P, L, R	01 B, S, Q, V		1	-0.4	-1.5		
Input current high 3010	I _{IH} <u>6/ 7/</u>	For input under test, V _{IN} = V _{CC} For all other inputs, V _{IN} = V _{CC} or GND	All B, S, Q, V	5.5 V	1		0.1	μA	
							2		1.0
			All M				1		0.1
							2, 3		1.0
									M, D, P, L, R
Input current low 3009	I _{IL} <u>6/ 7/</u>	For input under test, V _{IN} = GND For all other inputs, V _{IN} = V _{CC} or GND	All B, S, Q, V	5.5 V	1		-0.1	μA	
							2		-1.0
			All M				1		-0.1
							2, 3		-1.0
									M, D, P, L, R

See footnotes at end of table.

STANDARD MICROCIRCUIT DRAWING DEFENSE SUPPLY CENTER COLUMBUS COLUMBUS, OHIO 43218-3990	SIZE A		5962-87759
		REVISION LEVEL D	SHEET 7

TABLE I. Electrical performance characteristics - Continued.

Test and MIL-STD-883 test method <u>1/</u>	Symbol	Test conditions <u>2/ 3/</u> -55°C ≤ T _C ≤ +125°C +4.5 V ≤ V _{CC} ≤ +5.5 V unless otherwise specified	Device type and device class	V _{CC}	Group A subgroups	Limits <u>4/</u>		Unit	
						Min	Max		
Quiescent supply current delta, TTL input levels 3005	ΔI_{CC} <u>6/ 7/ 9/</u>	For input under test, V _{IN} = V _{CC} - 2.1 V For all other inputs, V _{IN} = V _{CC} or GND	01, 02 B, S, Q, V	5.5 V	1, 2		1.0	mA	
					3		1.6		
			03 Q, V		1, 2, 3		1.6		
			All M		1, 2, 3		1.6		
			M, D		1		1.0		
P, L, R			3.0						
Quiescent supply current, output high 3005	I_{CCH} <u>6/ 7/</u>	$\overline{OE}n = GND$ For all other inputs, V _{IN} = V _{CC}	All B, S, Q, V	5.5 V	1		2.0	μA	
					2		40.0		
			All M		1		8.0		
					2, 3		160.0		
			M		01 B, S, Q, V	1		300.0	mA
			D				1.0		
			P, L, R				2.0		
M, D, P, L, R, F <u>10/</u>	03 Q, V	1		50.0		μA			
Quiescent supply current, output low 3005	I_{CCL} <u>6/ 7/</u>	$\overline{OE}n = GND$ For all other inputs, V _{IN} = GND	All B, S, Q, V	5.5 V	1		2.0	μA	
					2		40.0		
			All M		1		8.0		
					2, 3		160.0		
			M		01 B, S, Q, V	1		300.0	mA
			D				1.0		
			P, L, R				2.0		
M, D, P, L, R, F <u>10/</u>	03 Q, V	1		50.0		μA			
Quiescent supply current, output three-state 3005	I_{CCZ} <u>6/ 7/</u>	$\overline{OE}n = V_{CC}$ For all other inputs, V _{IN} = V _{CC} or GND	All B, S, Q, V	5.5 V	1		2.0	μA	
					2		40.0		
			All M		1		8.0		
					2, 3		160.0		
			M		01 B, S, Q, V	1		300.0	mA
			D				1.0		
			P, L, R				2.0		
M, D, P, L, R, F <u>10/</u>	03 Q, V	1		50.0		μA			

See footnotes at end of table.

STANDARD MICROCIRCUIT DRAWING DEFENSE SUPPLY CENTER COLUMBUS COLUMBUS, OHIO 43218-3990	SIZE A		5962-87759
		REVISION LEVEL D	SHEET 8

TABLE I. Electrical performance characteristics - Continued.

Test and MIL-STD-883 test method <u>1/</u>	Symbol	Test conditions <u>2/ 3/</u> -55°C ≤ T _C ≤ +125°C +4.5 V ≤ V _{CC} ≤ +5.5 V unless otherwise specified	Device type and device class	V _{CC}	Group A subgroups	Limits <u>4/</u>		Unit
						Min	Max	
Three-state output leakage current high 3021	I _{OZH} <u>6/ 7/ 11/</u>	OEn = 2.0 V or 0.8 V For all other inputs, V _{IN} = V _{CC} or GND V _{OUT} = 5.5 V	All B, S, Q, V	5.5 V	1		0.5	μA
						2	10.0	
			All M		1		0.5	
						2, 3	10.0	
			M		1		3.0	
						D	10.0	
			P, L, R			20.0		
			M, D, P, L, R, F		03 Q, V	1	5.0	
Three-state output leakage current low 3020	I _{OZL} <u>6/ 7/ 11/</u>	OEn = 2.0 V or 0.8 V For all other inputs, V _{IN} = V _{CC} or GND V _{OUT} = GND	All B, S, Q, V	5.5 V	1		-0.5	μA
						2	-10.0	
			All M		1		-0.5	
						2, 3	-10.0	
			M		1		-3.0	
						D	-10.0	
			P, L, R			-20.0		
			M, D, P, L, R, F		03 Q, V	1	-5.0	
Input capacitance 3012	C _{IN}	T _C = +25°C See 4.4.1c	All All	GND	4		10.0	pF
Output capacitance 3012	C _{OUT}	T _C = +25°C See 4.4.1c	01, 03 All	5.5 V	4		15.0	pF
			02 All	5.0 V			20.0	
Power dissipation capacitance	C _{PD} <u>12/</u>	T _C = +25°C See 4.4.1c	All All	5.0 V	4		65.0	pF
Low level ground bounce noise	V _{GBL} <u>13/ 14/</u>	V _{LD} = 2.5 V I _{OL} = 24 mA See figure 5	All B, S, Q, V	4.5 V	4		2000	mV
High level ground bounce noise	V _{GBH} <u>13/ 14/</u>	V _{LD} = 2.5 V I _{OH} = -24 mA See figure 5	All B, S, Q, V	4.5 V	4		2000	mV

See footnotes at end of table.

STANDARD MICROCIRCUIT DRAWING DEFENSE SUPPLY CENTER COLUMBUS COLUMBUS, OHIO 43218-3990	SIZE A		5962-87759
		REVISION LEVEL D	SHEET 9

TABLE I. Electrical performance characteristics - Continued.

Test and MIL-STD-883 test method <u>1/</u>	Symbol	Test conditions <u>2/ 3/</u> -55°C ≤ T _C ≤ +125°C +4.5 V ≤ V _{CC} ≤ +5.5 V unless otherwise specified	Device type and device class	V _{CC}	Group A subgroups	Limits <u>4/</u>		Unit
						Min	Max	
Latch-up input/output over-voltage	I _{CC} (O/V1) <u>15/</u>	t _w ≥ 100 μs, t _{cool} ≥ t _w 5 μs ≤ t _r ≤ 5 ms 5 μs ≤ t _f ≤ 5 ms V _{test} = 6.0 V V _{CCQ} = 5.5 V V _{over} = 10.5 V	All B, S, Q, V	5.5 V	2		200	mA
Latch-up input/output positive over-current	I _{CC} (O/I1+) <u>15/</u>	t _w ≥ 100 μs, t _{cool} ≥ t _w 5 μs ≤ t _r ≤ 5 ms 5 μs ≤ t _f ≤ 5 ms V _{test} = 6.0 V V _{CCQ} = 5.5 V I _{trigger} = 120 mA	All B, S, Q, V	5.5 V	2		200	mA
Latch-up input/output negative over-current	I _{CC} (O/I1-) <u>15/</u>	t _w ≥ 100 μs, t _{cool} ≥ t _w 5 μs ≤ t _r ≤ 5 ms 5 μs ≤ t _f ≤ 5 ms V _{test} = 6.0 V V _{CCQ} = 5.5 V I _{trigger} = -120 mA	All B, S, Q, V	5.5 V	2		200	mA
Latch-up supply over-voltage	I _{CC} (O/V2) <u>15/</u>	t _w ≥ 100 μs, t _{cool} ≥ t _w 5 μs ≤ t _r ≤ 5 ms 5 μs ≤ t _f ≤ 5 ms V _{test} = 6.0 V V _{CCQ} = 5.5 V V _{over} = 9.0 V	All B, S, Q, V	5.5 V	2		100	mA
Truth table test 3014	<u>6/ 7/ 16/</u>	V _{IL} = 0.4 V, V _{IH} = 2.4 V Verify output V _O See 4.4.1b	All	4.5 V	7, 8	L	H	
			All	5.5 V	7, 8	L	H	
			M, D, P, L, R	01 B, S, Q, V	4.5 V	7	L	
Propagation delay time, mAn to mYn 3003	t _{PHL} , t _{PLH} <u>6/ 7/ 17/ 18/</u>	C _L = 50 pF minimum R _L = 500Ω See figure 6	01, 03 B, S, Q, V	4.5 V	9, 11	1.0	8.5	ns
					10	1.0	9.5	
			01, 03 M		9	1.0	8.5	
					10, 11	1.0	9.5	
			02 B, S, Q, V		9, 11	1.0	9.9	
					10	1.0	11.1	
			02 M		9	1.0	9.9	
	10, 11	1.0	11.1					
	M, D, P, L, R	01 B, S, Q, V	9	1.0	8.5			

See footnotes at end of table.

STANDARD MICROCIRCUIT DRAWING DEFENSE SUPPLY CENTER COLUMBUS COLUMBUS, OHIO 43218-3990	SIZE A		5962-87759
		REVISION LEVEL D	SHEET 10

TABLE I. Electrical performance characteristics - Continued.

Test and MIL-STD-883 test method <u>1/</u>	Symbol	Test conditions <u>2/</u> <u>3/</u> -55°C ≤ T _C ≤ +125°C +4.5 V ≤ V _{CC} ≤ +5.5 V unless otherwise specified	Device type and device class	V _{CC}	Group A subgroups	Limits <u>4/</u>		Unit	
						Min	Max		
Propagation delay time, output enable, $\overline{\text{OEn}}$ to $\overline{\text{mYn}}$ 3003	t_{PZH} , t_{PZL} <u>6/ 7/</u> <u>17/ 18/</u>	C _L = 50 pF minimum R _L = 500Ω See figure 6	01, 03 B, S, Q, V	4.5 V	9, 11	1.0	9.5	ns	
					10	1.0	11.5		
			01, 03 M		9	1.0	9.5		
			02 B, S, Q, V		10, 11	1.0	11.5		
					9, 11	1.0	11.7		
			02 M		10	1.0	13.1		
					9	1.0	11.7		
			M, D, P, L, R		10, 11	1.0	13.1		
Propagation delay time, output disable, $\overline{\text{OEn}}$ to $\overline{\text{mYn}}$ 3003	t_{PHZ} , t_{PLZ} <u>6/ 7/</u> <u>17/ 18/</u>	C _L = 50 pF minimum R _L = 500Ω See figure 6	01 B, S, Q, V	4.5 V	9, 11	1.0	9.5	ns	
					10	1.0	11.0		
			01 M		9	1.0	9.5		
					10, 11	1.0	11.5		
			02 B, S, Q, V		9, 11	1.0	10.3		
					10	1.0	11.2		
			02 M		9	1.0	10.3		
					10, 11	1.0	11.2		
			03 All		9	1.0	10.0		
					10	1.0	11.0		
					11	1.0	9.5		
			M, D, P, L, R		01 B, S, Q, V	9	1.0		9.5

1/ For tests not listed in the referenced MIL-STD-883, [e.g. I_{CC} (OV1)], utilize the general test procedure under the conditions listed herein.

2/ Each input/output, as applicable, shall be tested at the specified temperature, for the specified limits, to the tests in table I herein. Output terminals not designated shall be high level logic, low level logic, or open, except for all I_{CC} and ΔI_{CC} tests, the output terminal shall be open. When performing these tests, the current meter shall be placed in the circuit such that all current flows through the meter.

3/ RHA parts for device type 01 are tested all levels M, D, P, L, and R of irradiation. Pre and post irradiation values are identical unless otherwise specified in table I.

RHA parts for device type 03 meet all levels M, D, P, L, R, and F of irradiation. However, these parts are only tested at the "F" level. Pre and post irradiation values are identical unless otherwise specified in table I.

4/ For negative and positive voltage and current values, the sign designates the potential difference in reference to GND and the direction of current flow, respectively; and the absolute value of the magnitude, not the sign, is relative to the minimum and maximum limits, as applicable, listed herein.

STANDARD MICROCIRCUIT DRAWING DEFENSE SUPPLY CENTER COLUMBUS COLUMBUS, OHIO 43218-3990	SIZE A		5962-87759
		REVISION LEVEL D	SHEET 11

TABLE I. Electrical performance characteristics - Continued.

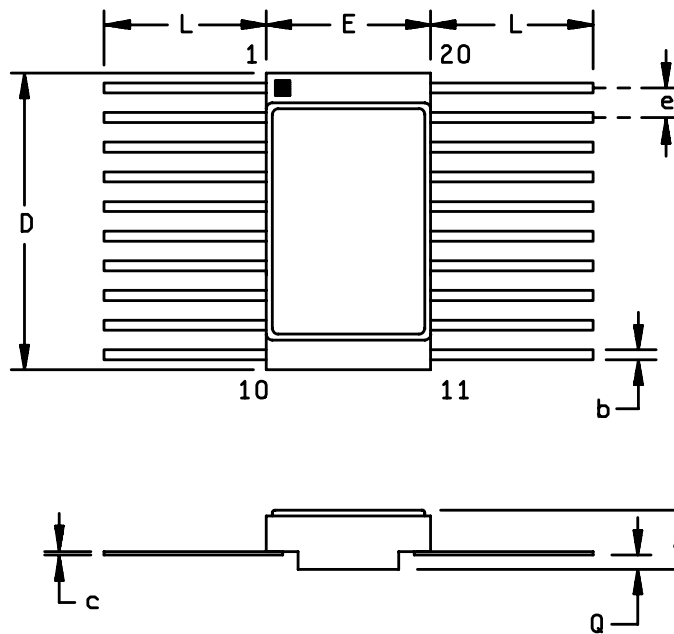
- 5/ For device classes B, S, Q, and V, this test is guaranteed, if not tested, to the limits specified in table I.
- 6/ RHA samples do not have to be tested at -55°C and +125°C prior to irradiation.
- 7/ When performing post irradiation electrical measurements for any RHA level, $T_A = 25^\circ\text{C}$. Limits shown are guaranteed at $T_A = +25^\circ\text{C} \pm 5^\circ\text{C}$.
- 8/ Transmission driving tests are performed at $V_{CC} = 5.5\text{ V}$ dc with a 2 ms duration maximum. This test may be performed using $V_{IN} = V_{CC}$ or GND. When $V_{IN} = V_{CC}$ or GND is used, the test is guaranteed for $V_{IN} = 2.0\text{ V}$ or 0.8 V .
- 9/ This test may be performed either one input at a time (preferred method) or with all input pins simultaneously at $V_{IN} = V_{CC} - 2.1\text{ V}$ (alternate method). Classes B, S, Q, and V shall use the preferred method. When the test is performed using the alternate method, the maximum limits are equal to the number of inputs at a high TTL input level times ΔI_{CC} maximum limits; and the preferred method and limits are guaranteed.
- 10/ The maximum limit for this parameter at 100 krad (Si) is $4\ \mu\text{A}$.
- 11/ Three-state output conditions are required.
- 12/ Power dissipation capacitance (C_{PD}) determines both the no load dynamic power consumption (P_D) and dynamic current consumption (I_S). Where:

$$P_D = (C_{PD} + C_L) (V_{CC} \times V_{CC})f + (I_{CC} \times V_{CC}) + (n \times d \times \Delta I_{CC} \times V_{CC})$$

$$I_S = (C_{PD} + C_L) V_{CC}f + I_{CC} + n \times d \times \Delta I_{CC}$$
 For both P_D and I_S , n is the number of device inputs at TTL levels, f is the frequency of the input signal, d is the duty cycle of the input signal, and C_L is the external output load capacitance.
- 13/ This test is for qualification only. Ground bounce tests are performed on a nonswitching (quiescent) output and are used to measure the magnitude of induced noise caused by other simultaneously switching outputs. The test is performed on a low noise bench test fixture with all outputs fully dc loaded (I_{OL} maximum and I_{OH} maximum = i.e., $\pm 24\text{ mA}$) and 50 pF of load capacitance (see figure 5). The loads must be located as close as possible to the device output. Inputs are then conditioned with 1 MHz pulse ($t_r = t_f = 3.5 \pm 1.5\text{ ns}$) switching simultaneously and in phase such that one output is forced low and all others (possible) are switched. The low level ground bounce noise is measured at the quiet output using a F.E.T. oscilloscope probe with at least $1\text{ M}\Omega$ impedance. Measurement is taken from the peak of the largest positive pulse with respect to the nominal low level output voltage (see figure 5). The device inputs are then conditioned such that the output under test is at a high nominal V_{OH} level. The high level ground bounce measurement is then measured from nominal V_{OH} level to the largest negative peak. This procedure is repeated such that all outputs are tested at a high and low level with a maximum number of outputs switching.
- 14/ When used in synchronous TTL compatible systems, ground bounce (V_{GBL} and V_{GBH}) = $2,000\text{ mV}$ can be a possible problem.
- 15/ See EIA/JEDEC Standard No. 78 for electrically induced latch-up test methods and procedures. The values listed for $I_{trigger}$ and V_{over} are to be accurate within ± 5 percent.
- 16/ Tests shall be performed in sequence, attributes data only. Functional tests shall include the truth table and other logic patterns used for fault detection. Functional tests shall be performed in sequence as approved by the qualifying activity on qualified devices. $H \geq 2.5\text{ V}$, $L < 2.5\text{ V}$; $V_{IH} = 2.4\text{ V}$, $V_{IL} = 0.4\text{ V}$. Allowable tolerances in accordance with MIL-STD-883 for the input voltage levels are already incorporated. Functional tests at $V_{CC} = 4.5\text{ V}$ are worst case for RHA specified devices.
- 17/ Device classes B, S, Q, and V are tested at $V_{CC} = 4.5\text{ V}$ and $T_C = +125^\circ\text{C}$ for sample testing and at $V_{CC} = 4.5\text{ V}$ and $T_C = +25^\circ\text{C}$ for screening. Other voltages of V_{CC} and temperatures are guaranteed, if not tested. See 4.4.1d.
- 18/ AC limits at $V_{CC} = 5.5\text{ V}$ are equal to the limits at $V_{CC} = 4.5\text{ V}$ and guaranteed by testing at $V_{CC} = 4.5\text{ V}$. Minimum AC limits for $V_{CC} = 5.5\text{ V}$ are 1.0 ns and guaranteed by guardbanding the $V_{CC} = 4.5\text{ V}$ minimum limits to 1.5 ns . For propagation delay tests, all paths must be tested.

STANDARD MICROCIRCUIT DRAWING DEFENSE SUPPLY CENTER COLUMBUS COLUMBUS, OHIO 43218-3990	SIZE A		5962-87759
		REVISION LEVEL D	SHEET 12

Case X



Symbol	Dimensions			
	Inches		Millimeters	
	Min	Max	Min	Max
A	.045	.085	1.14	2.16
b	.015	.019	0.38	0.48
c	.003	.006	0.076	0.152
D	.505	.515	12.83	13.08
E	.275	.285	6.99	7.24
e	.045	.055	1.14	1.40
L	.250	.370	6.35	9.39
Q	.010	---	0.25	---
N	20		20	

FIGURE 1. Case outline.

STANDARD MICROCIRCUIT DRAWING DEFENSE SUPPLY CENTER COLUMBUS COLUMBUS, OHIO 43218-3990	SIZE A		5962-87759
		REVISION LEVEL D	SHEET 13

Device types	01, 03	02	
Case outlines	R, S, X, Z, 2	L	3
Terminal number	Terminal symbol	Terminal symbol	Terminal symbol
1	$\overline{OE1}$	$\overline{1Y1}$	NC
2	1A1	$\overline{2Y1}$	V _{CC}
3	$\overline{4Y2}$	$\overline{3Y1}$	4A1
4	2A1	$\overline{4Y1}$	3A1
5	$\overline{3Y2}$	GND	2A1
6	3A1	GND	1A1
7	$\overline{2Y2}$	GND	$\overline{OE1}$
8	4A1	GND	NC
9	$\overline{1Y2}$	$\overline{1Y2}$	$\overline{1Y1}$
10	GND	$\overline{2Y2}$	$\overline{2Y1}$
11	1A2	$\overline{3Y2}$	$\overline{3Y1}$
12	$\overline{4Y1}$	$\overline{4Y2}$	$\overline{4Y1}$
13	2A2	$\overline{OE2}$	GND
14	$\overline{3Y1}$	4A2	GND
15	3A2	3A2	NC
16	$\overline{2Y1}$	2A2	GND
17	4A2	1A2	GND
18	$\overline{1Y1}$	V _{CC}	$\overline{1Y2}$
19	$\overline{OE2}$	V _{CC}	$\overline{2Y2}$
20	V _{CC}	4A1	$\overline{3Y2}$
21	---	3A1	$\overline{4Y2}$
22	---	2A1	NC
23	---	1A1	$\overline{OE2}$
24	---	$\overline{OE1}$	4A2
25	---	---	3A2
26	---	---	2A2
27	---	---	1A2
28	---	---	V _{CC}

NC = No connection

FIGURE 2. Terminal connections.

STANDARD MICROCIRCUIT DRAWING DEFENSE SUPPLY CENTER COLUMBUS COLUMBUS, OHIO 43218-3990	SIZE A		5962-87759
		REVISION LEVEL D	SHEET 14

Inputs		Outputs
$\overline{OE_n}$	mA_n	$\overline{mY_n}$
L	L	H
L	H	L
H	X	Z

H = High voltage level
L = Low voltage level
X = Irrelevant
Z = High impedance

FIGURE 3. Truth table.

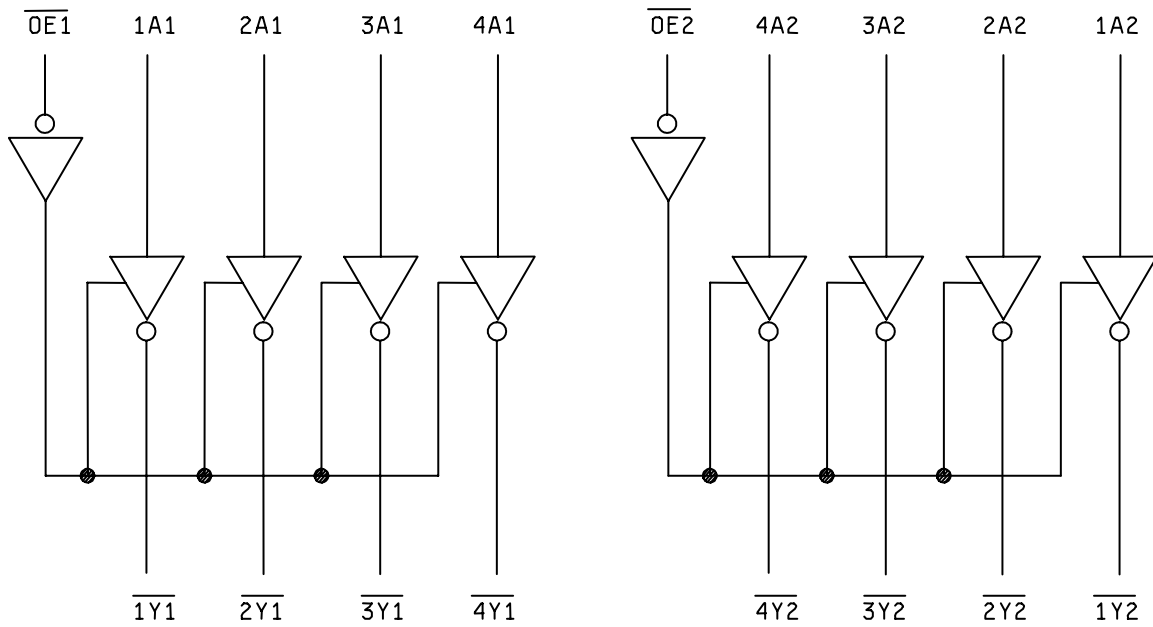
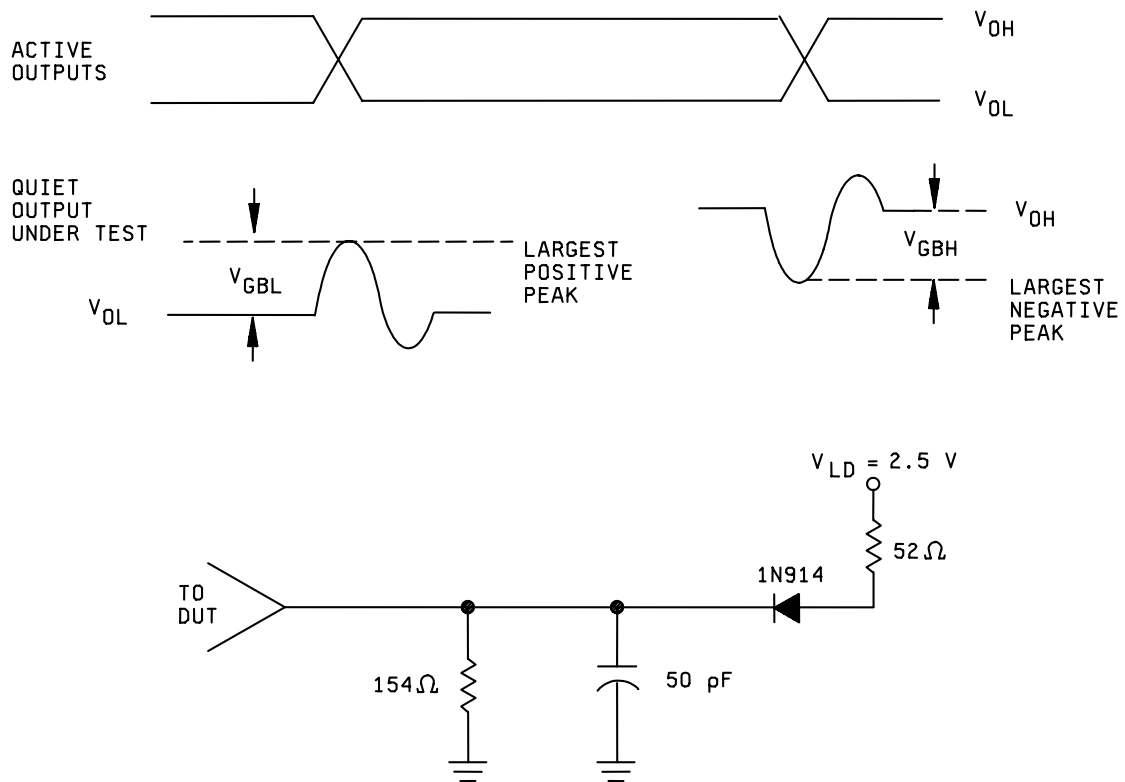


FIGURE 4. Logic diagram.

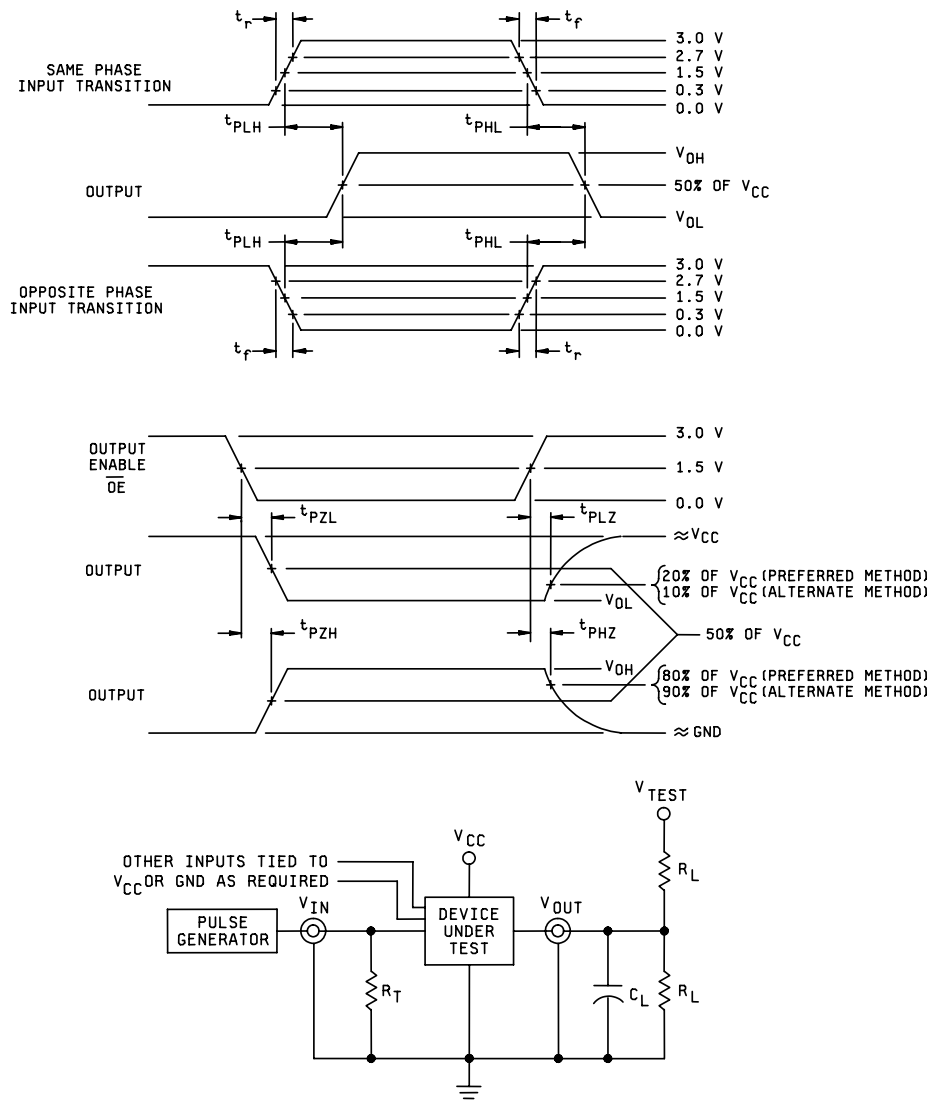
STANDARD MICROCIRCUIT DRAWING DEFENSE SUPPLY CENTER COLUMBUS COLUMBUS, OHIO 43218-3990	SIZE A		5962-87759
		REVISION LEVEL D	SHEET 15



NOTE: Resistor and capacitor tolerances = $\pm 10\%$.

FIGURE 5. Ground bounce waveforms and test circuit.

STANDARD MICROCIRCUIT DRAWING DEFENSE SUPPLY CENTER COLUMBUS COLUMBUS, OHIO 43218-3990	SIZE A		5962-87759
		REVISION LEVEL D	SHEET 16



NOTES:

1. Preferred method - used for device type 02:
 When measuring t_{PHZ} and t_{PZH} : $V_{TEST} = GND$.
 When measuring t_{PLZ} and t_{PZL} : $V_{TEST} = 2 \times V_{CC}$.
 When measuring t_{PLH} and t_{PHL} : $V_{TEST} = \text{open}$.
 Alternate method - used for device types 01 and 03:
 When measuring t_{PLZ} and t_{PZL} : $V_{TEST} = 2 \times V_{CC}$.
 When measuring t_{PHZ} , t_{PZH} , t_{PLH} , and t_{PHL} : $V_{TEST} = \text{open}$.
2. $C_L = 50 \text{ pF}$ minimum or equivalent (includes test jig and probe capacitance).
3. $R_T = 50\Omega$ or equivalent, $R_L = 500\Omega$ or equivalent.
4. Input signal from pulse generator: $V_{IN} = 0.0 \text{ V}$ to 3.0 V ; $PRR \leq 10 \text{ MHz}$; $t_r \leq 3.0 \text{ ns}$; $t_f \leq 3.0 \text{ ns}$; t_r and t_f shall be measured from 0.3 V to 2.7 V and from 2.7 V to 0.3 V , respectively; duty cycle = 50 percent.
5. Timing parameters shall be tested at a minimum input frequency of 1 MHz.
6. The outputs are measured one at a time with one transition per measurement.

FIGURE 6. Switching waveforms and test circuit.

STANDARD MICROCIRCUIT DRAWING DEFENSE SUPPLY CENTER COLUMBUS COLUMBUS, OHIO 43218-3990	SIZE A		5962-87759
		REVISION LEVEL D	SHEET 17

4. VERIFICATION

4.1 Sampling and inspection. For device classes B, S, Q, and V, sampling and inspection procedures shall be in accordance with MIL-PRF-38535 or as modified in the device manufacturer's Quality Management (QM) plan. The modification in the QM plan shall not affect the form, fit, or function as described herein. For device class M, sampling and inspection procedures shall be in accordance with MIL-PRF-38535, appendix A.

4.2 Screening. For device classes B, S, Q, and V, screening shall be in accordance with MIL-PRF-38535, and shall be conducted on all devices prior to qualification and technology conformance inspection. For device class M, screening shall be in accordance with method 5004 of MIL-STD-883, and shall be conducted on all devices prior to quality conformance inspection.

4.2.1 Additional criteria for device classes M, B, and S.

a. Burn-in test, method 1015 of MIL-STD-883.

- (1) Test condition A, B, C, or D. The test circuit shall be maintained by the manufacturer under document revision level control and shall be made available to the preparing or acquiring activity upon request. The test circuit shall specify the inputs, outputs, biases, and power dissipation, as applicable, in accordance with the intent specified in method 1015 of MIL-STD-883.
- (2) $T_A = +125^\circ\text{C}$, minimum.
- (3) Delete the sequence specified in 3.1.10 through 3.1.14 of method 5004 and substitute the first 7 test requirements of table II herein.
- (4) For device class M, unless otherwise noted, the requirements for device class B in method 1015 of MIL-STD-883 shall be followed.
- (5) Unless otherwise specified in the QM plan for static burn-in, device classes B and S, test condition A, method 1015 of MIL-STD-883, the test duration for each static test shall be 24 hours minimum for class S devices and in accordance with table I of method 1015 for class B devices.
 - (a) For static burn-in I, all inputs shall be connected to GND. The outputs may be open or connected to $V_{CC}/2 \pm 0.5\text{ V}$. Resistors R1 are optional on both inputs and open outputs, and required on outputs connected to $V_{CC}/2 \pm 0.5\text{ V}$. $R1 = 220\Omega$ to $47\text{ k}\Omega$.
 - (b) For static burn-in II, all inputs shall be connected through the R1 resistors to V_{CC} . The outputs may be open or connected to $V_{CC}/2 \pm 0.5\text{ V}$. Resistors R1 are optional on open outputs, and required on outputs connected to $V_{CC}/2 \pm 0.5\text{ V}$. $R1 = 220\Omega$ to $47\text{ k}\Omega$.
 - (c) $V_{CC} = 5.5\text{ V} + 0.5\text{ V}, -0.00\text{ V}$.
- (6) Unless otherwise specified in the QM plan for dynamic burn-in, device classes B and S, test condition D, method 1015 of MIL-STD-883, the following shall apply:
 - (a) Input resistors = 220Ω to $2\text{ k}\Omega \pm 20$ percent.
 - (b) Output resistors = $220\Omega \pm 20$ percent.
 - (c) $V_{CC} = 5.5\text{ V} + 0.5\text{ V}, -0.00\text{ V}$.
 - (d) The output enable control pin(s) shall be connected through the resistors in parallel to V_{CC} or GND, as applicable, to enable the outputs. All other inputs shall be connected through the resistors in parallel to a common clock pulse (CP), as applicable. Outputs shall be connected through the resistors to $V_{CC}/2 \pm 0.5\text{ V}$.
 - (e) CP = 25 kHz to 1 MHz square wave; duty cycle = 50 percent ± 15 percent; $V_{IH} = 4.5\text{ V}$ to V_{CC} ; $V_{IL} = 0.0\text{ V} \pm 0.5\text{ V}$; $t_r, t_f \leq 100\text{ ns}$.

STANDARD MICROCIRCUIT DRAWING DEFENSE SUPPLY CENTER COLUMBUS COLUMBUS, OHIO 43218-3990	SIZE A		5962-87759
		REVISION LEVEL D	SHEET 18

- b. Interim and final electrical test parameters shall be as specified in table II herein.
- c. For class S devices, post dynamic burn-in, or class B devices, post static burn-in, electrical parameter measurements may, at the manufacturer's option, be performed separately or included in the final electrical parameter requirements.

4.2.2 Additional criteria for device classes B, S, Q, and V.

- a. The burn-in test duration, test condition and test temperature, or approved alternatives shall be as specified in the device manufacturer's QM plan in accordance with MIL-PRF-38535. The burn-in test circuit shall be maintained under document revision level control of the device manufacturer's Technology Review Board (TRB) in accordance with MIL-PRF-38535 and shall be made available to the acquiring or preparing activity upon request. The test circuit shall specify the inputs, outputs, biases, and power dissipation, as applicable, in accordance with the intent specified in method 1015 of MIL-STD-883.
- b. Interim and final electrical test parameters shall be as specified in table II herein.
- c. Additional screening for device class V or S beyond the requirements of device class Q or B shall be as specified in MIL-PRF-38535, appendix B.

4.2.3 Percent defective allowable (PDA).

- a. The PDA for class S or V devices shall be 5 percent for static burn-in and 5 percent for dynamic burn-in, based on the exact number of devices submitted to each separate burn-in.
- b. Static burn-in I and II failures shall be cumulative for determining the PDA.
- c. The PDA for class B or Q devices shall be in accordance with MIL-PRF-38535 for static burn-in. Dynamic burn-in is not required.
- d. The PDA for class M devices shall be in accordance with MIL-PRF-38535, appendix A for static burn-in and dynamic burn-in.
- e. Those devices whose measured characteristics, after burn-in, exceed the specified delta limits or electrical parameter limits specified in table I, subgroup I, are defective and shall be removed from the lot. The verified number of failed devices times 100, divided by the total number of devices in the lot initially submitted to burn-in shall be used to determine the percent defective for the lot, and the lot shall be accepted or rejected based on the specified PDA.

4.3 Qualification inspection for device classes B, S, Q, and V. Qualification inspection for device classes B, S, Q, and V shall be in accordance with MIL-PRF-38535. Inspections to be performed shall be those specified in MIL-PRF-38535 and herein for groups A, B, C, D, and E inspections (see 4.4.1 through 4.4.5).

4.4 Conformance inspection. Technology conformance inspection for classes B, S, Q, and V shall be in accordance with MIL-PRF-38535 including groups A, B, C, D, and E inspections and as specified herein. Quality conformance inspection for device class M shall be in accordance with MIL-PRF-38535, appendix A and as specified herein. Inspections to be performed for device class M shall be those specified in method 5005 of MIL-STD-883 and herein for groups A, B, C, D, and E inspections (see 4.4.1 through 4.4.5).

STANDARD MICROCIRCUIT DRAWING DEFENSE SUPPLY CENTER COLUMBUS COLUMBUS, OHIO 43218-3990	SIZE A		5962-87759
		REVISION LEVEL D	SHEET 19

TABLE II. Electrical test requirements.

Test requirements	Subgroups <u>1/</u> (in accordance with MIL-STD-883, method 5005, table I)	Subgroups <u>1/</u> (in accordance with MIL-PRF-38535, table III)			
	Device class M	Device class B <u>2/</u>	Device class S <u>2/</u>	Device class Q	Device class V
Interim electrical parameters, method 5004		1	1	1	1
Static burn-in I, method 1015 (4.2.1a)	<u>3/</u>	Not required	Required <u>4/</u>	Not required	Required <u>4/</u>
Interim electrical parameters, method 5004 (4.2.1b)			1 <u>5/</u>		1 <u>5/</u>
Static burn-in II, method 1015 (4.2.1a)	<u>3/</u>	Required <u>6/</u>	Required <u>4/</u>	Required <u>6/</u>	Required <u>4/</u>
Interim electrical parameters, method 5004 (4.2.1b)		1 <u>2/ 5/</u>	1 <u>2/ 5/</u>	1 <u>2/ 5/</u>	1 <u>2/ 5/</u>
Dynamic burn-in I, method 1015 (4.2.1a)	<u>3/</u>	Not required	Required <u>4/</u>	Not required	Required <u>4/</u>
Interim electrical parameters, method 5004 (4.2.1b)			1 <u>5/</u>		1 <u>5/</u>
Final electrical parameters, method 5004	1, 2, 3, 7, 8, 9 <u>2/</u>	1, 2, 7, 9 <u>2/ 6/</u>	1, 2, 7, 9 <u>2/</u>	1, 2, 3, 7, 8, 9, 10, 11 <u>2/ 6/</u>	1, 2, 3, 7, 8, 9, 10, 11 <u>2/ 5/</u>
Group A test requirements, method 5005 (4.4.1)	1, 2, 3, 4, 7, 8, 9, 10, 11	1, 2, 3, 4, 7, 8, 9, 10, 11	1, 2, 3, 4, 7, 8, 9, 10, 11	1, 2, 3, 4, 7, 8, 9, 10, 11	1, 2, 3, 4, 7, 8, 9, 10, 11
Group B end-point electrical parameters, method 5005 (4.4.2)			1, 2, 3, 7, 8, 9, 10, 11 <u>5/</u>		
Group C end-point electrical parameters, method 5005 (4.4.3)	1, 2, 3	1, 2 <u>5/</u>		1, 2, 3 <u>5/</u>	1, 2, 3, 7, 8, 9, 10, 11 <u>5/</u>
Group D end-point electrical parameters, method 5005 (4.4.4)	1, 2, 3	1, 2	1, 2, 3	1, 2, 3	1, 2, 3
Group E end-point electrical parameters, method 5005 (4.4.5)	1, 7, 9	1, 7, 9	1, 7, 9	1, 7, 9	1, 7, 9

1/ Blank spaces indicate tests are not applicable.

2/ PDA applies to subgroup 1 (see 4.2.3). For device classes S and V, PDA applies to subgroups 1 and 7 (see 4.2.3).

3/ The burn-in shall meet the requirements of 4.2.1a herein.

4/ On all class S lots, the device manufacturer shall maintain read-and-record data (as a minimum on disk) for burn-in electrical parameters (group A, subgroup 1), in accordance with method 5004 of MIL-STD-883. For pre-burn-in and interim electrical parameters, the read-and-record requirements are for delta measurements only.

5/ Delta limits, as specified in table III, shall be required where specified, and the delta limits shall be completed with reference to the zero hour electrical parameters.

6/ The device manufacturer may, at his option, either complete subgroup 1 electrical parameter measurements, including delta measurements, within 96 hours after burn-in completion (removal of bias) or may complete subgroup 1 electrical measurements without delta measurements within 24 hours after burn-in completion (removal of bias). When the manufacturer elects to perform the subgroup 1 electrical parameter measurements without delta measurements, there is no requirement to perform the pre-burn-in electrical tests (first interim electrical parameters test in table II).

STANDARD MICROCIRCUIT DRAWING DEFENSE SUPPLY CENTER COLUMBUS COLUMBUS, OHIO 43218-3990	SIZE A		5962-87759
		REVISION LEVEL D	SHEET 20

TABLE III. Burn-in and operating life test, delta parameters (+25°C).

Parameter ^{1/}	Symbol	Device type	Delta limits
Quiescent supply current	$I_{CCH}, I_{CCL}, I_{CCZ}$	01	± 100 nA ^{2/}
		03	± 300 nA
Supply current delta	ΔI_{CC}	03	± 0.4 mA
Input current low level	I_{IL}	03	± 20 nA
Input current high level	I_{IH}	03	± 20 nA
Output voltage low level ($V_{CC} = 5.5$ V, $I_{OL} = 24$ mA)	V_{OL}	03	± 0.04 V
Output voltage high level ($V_{CC} = 5.5$ V, $I_{OH} = -24$ mA)	V_{OH}	03	± 0.20 V

^{1/} These parameters shall be recorded before and after the required burn-in and life tests to determined delta limits.

^{2/} This limit may not be production tested.

4.4.1 Group A inspection

- a. Tests shall be as specified in table II herein.
- b. For device class M, subgroups 7 and 8 tests shall be sufficient to verify the truth table in figure 3 herein. The test vectors used to verify the truth table shall test all possible input to output logic patterns. For device classes B, S, Q, and V, subgroups 7 and 8 shall include verifying the functionality of the device.
- c. C_{IN} , C_{OUT} , and C_{PD} shall be measured only for initial qualification and after process or design changes which may affect capacitance. C_{IN} and C_{OUT} shall be measured between the designated terminal and GND at a frequency of 1 MHz. C_{PD} shall be tested in accordance with the latest revision of JEDEC Standard No. 20 and table I herein. For C_{IN} , C_{OUT} , and C_{PD} , test all applicable pins on five devices with zero failures.
- d. For device classes B, S, Q, and V, subgroups 9 and 11 tests shall be measured only for initial qualifications and after process or design changes which may affect dynamic performance.
- e. Latch-up and ground bounce tests are required for device classes B, S, Q, and V. These tests shall be performed only for initial qualification and after process or design changes which may affect the performance of the device. Latch-up tests shall be considered destructive. For latch-up and ground bounce tests, test all applicable pins on five devices with zero failures.

4.4.2 Group B inspection. When applicable, the group B inspection end-point electrical parameters shall be as specified in table II herein. For device class S steady steady-state life tests, the test circuit shall be maintained by the manufacturer and shall be made available to the acquiring or preparing activity upon request.

4.4.3 Group C inspection. The group C inspection end-point electrical parameters shall be as specified in table II herein.

STANDARD MICROCIRCUIT DRAWING DEFENSE SUPPLY CENTER COLUMBUS COLUMBUS, OHIO 43218-3990	SIZE A		5962-87759
		REVISION LEVEL D	SHEET 21

4.4.3.1 Additional criteria for device class M. Steady-state life test conditions, method 1005 of MIL-STD-883:

- a. Test condition A, B, C, or D. The test circuit shall be maintained by the manufacturer under document revision level control and shall be made available to the preparing or acquiring activity upon request. The test circuit shall specify the inputs, outputs, biases, and power dissipation, as applicable, in accordance with the intent specified in method 1005 of MIL-STD-883.
- b. $T_A = +125^{\circ}\text{C}$, minimum.
- c. Test duration: 1,000 hours, except as permitted by method 1005 of MIL-STD-883.

4.4.3.2 Additional criteria for device classes B, S, Q, and V. The steady-state life test duration, test condition and test temperature, or approved alternatives shall be as specified in the device manufacturer's QM plan in accordance with MIL-PRF-38535. The test circuit shall be maintained under document revision level control by the device manufacturer's TRB in accordance with MIL-PRF-38535 and shall be made available to the acquiring or preparing activity upon request. The test circuit shall specify the inputs, outputs, biases, and power dissipation, as applicable, in accordance with the intent specified in method 1005 of MIL-STD-883.

4.4.4 Group D inspection. The group D inspection end-point electrical parameters shall be as specified in table II herein.

4.4.5 Group E inspection. Group E inspection is required only for parts intended to be marked as radiation hardness assured (see 3.5 herein).

- a. End-point electrical parameters shall be as specified in table II herein.
- b. For device classes B, S, Q, and V, the devices or test vehicle shall be subjected to radiation hardness assured tests as specified in MIL-PRF-38535 for the RHA level being tested. For device class M, the devices shall be subjected to radiation hardness assured tests as specified in MIL-PRF-38535, appendix A for the RHA level being tested. All device classes must meet the postirradiation end-point electrical parameter limits as defined in table I at $T_A = +25^{\circ}\text{C} \pm 5^{\circ}\text{C}$, after exposure, to the subgroups specified in table II herein.
- c. RHA tests for device classes M, B, S, Q, and V for levels M, D, P, L, R, and F shall be performed through each level to determine at what levels the devices meet the RHA requirements. These RHA tests shall be performed for initial qualification and after design or process changes which may affect the RHA performance of the device.
- d. Prior to irradiation, each selected sample shall be assembled in its qualified package. It shall pass the specified group A electrical parameters in table I for subgroups specified in table II herein.

4.4.5.1 Total dose irradiation testing. Total dose irradiation testing shall be performed in accordance with MIL-STD-883, method 1019, condition A, and as specified herein. Prior to and during total dose irradiation characterization and testing, the devices for characterization shall be biased so that 50 percent are at inputs high and 50 percent are at inputs low, and the devices for testing shall be biased to the worst case condition established during characterization. Devices shall be biased as follows:

- a. Device type 01:
 - (1) Inputs tested high, $V_{CC} = 5.5 \text{ V dc } +5\%$, $R_{CC} = 10\Omega \pm 20\%$, $V_{IN} = 5.0 \text{ V dc } +5\%$, $R_{IN} = 1 \text{ k}\Omega \pm 20\%$, and all outputs are open.
 - (2) Inputs tested low, $V_{CC} = 5.5 \text{ V dc } +5\%$, $R_{CC} = 10\Omega \pm 20\%$, $V_{IN} = 0.0 \text{ V}$, $R_{IN} = 1 \text{ k}\Omega \pm 20\%$, and all outputs are open.
- b. Device type 03:
 - (1) Inputs tested high, $V_{CC} = 5.5 \text{ V dc } \pm 5\%$, $V_{IN} = 5.0 \text{ V dc } +10\%$, $R_{IN} = 1 \text{ k}\Omega \pm 20\%$, and all outputs are open.
 - (2) Inputs tested low, $V_{CC} = 5.5 \text{ V dc } \pm 5\%$, $V_{IN} = 0.0 \text{ V}$, $R_{IN} = 1 \text{ k}\Omega \pm 20\%$, and all outputs are open.

STANDARD MICROCIRCUIT DRAWING DEFENSE SUPPLY CENTER COLUMBUS COLUMBUS, OHIO 43218-3990	SIZE A		5962-87759
		REVISION LEVEL D	SHEET 22

4.4.5.1.1 Accelerated aging test. Accelerated aging test shall be performed on classes M, B, S, Q, and V devices requiring an RHA level greater than 5K rads (Si). The post-anneal end-point electrical parameter limits shall be as specified in table I herein and shall be the pre-irradiation end-point electrical parameter limit at 25°C ±5°C. Testing shall be performed at initial qualification and after any design or process changes which may affect the RHA response of the device.

4.5 Methods of inspection. Methods of inspection shall be specified as follows:

4.5.1 Voltage and current. Unless otherwise specified, all voltages given are referenced to the microcircuit GND terminal. Currents given are conventional current and positive when flowing into the referenced terminal.

5. PACKAGING

5.1 Packaging requirements. The requirements for packaging shall be in accordance with MIL-PRF-38535 for device classes B, S, Q, and V or MIL-PRF-38535, appendix A for device class M.

6. NOTES

6.1 Intended use. Microcircuits conforming to this drawing are intended for use for Government microcircuit applications (original equipment), design applications, and logistics purposes.

6.1.1 Replaceability. Microcircuits covered by this drawing will replace the same generic device covered by a contractor-prepared specification or drawing.

6.1.2 Substitutability. Device classes B and Q devices will replace device class M devices.

6.2 Configuration control of SMD's. All proposed changes to existing SMD's will be coordinated with the users of record for the individual documents. This coordination will be accomplished using DD Form 1692, Engineering Change Proposal.

6.3 Record of users. Military and industrial users should inform Defense Supply Center Columbus (DSCC) when a system application requires configuration control and which SMD's are applicable to that system. DSCC will maintain a record of users and this list will be used for coordination and distribution of changes to the drawings. Users of drawings covering microelectronic devices (FSC 5962) should contact DSCC-VA, telephone (614) 692-0544.

6.4 Comments. Comments on this drawing should be directed to DSCC-VA, Columbus, Ohio 43218-3990, or telephone (614) 692-0547.

6.5 Abbreviations, symbols, and definitions. The abbreviations, symbols, and definitions used herein are defined in MIL-PRF-38535 and MIL-HDBK-1331.

6.6 Sources of supply.

6.6.1 Sources of supply for device classes B, S, Q, and V. Sources of supply for device classes B, S, Q, and V are listed in QML-38535. The vendors listed in QML-38535 have submitted a certificate of compliance (see 3.6 herein) to DSCC-VA and have agreed to this drawing.

6.6.2 Approved sources of supply for device class M. Approved sources of supply for class M are listed in MIL-HDBK-103. The vendors listed in MIL-HDBK-103 have agreed to this drawing and a certificate of compliance (see 3.6 herein) has been submitted to and accepted by DSCC-VA.

STANDARD MICROCIRCUIT DRAWING DEFENSE SUPPLY CENTER COLUMBUS COLUMBUS, OHIO 43218-3990	SIZE A		5962-87759
		REVISION LEVEL D	SHEET 23

APPENDIX A

A.1 SCOPE

A.1.1 Scope. This appendix contains the PIN substitution information to support the one part-one part number system. For new designs after the date of this document, the new PIN shall be used in lieu of the old PIN. For existing designs prior to the date of this document, the new PIN can be used in lieu of the old PIN. This appendix is a mandatory part of the specification. The information contained herein is intended for compliance. The PIN substitution data shall be as follows.

A.2 APPLICATION DOCUMENTS

This section is not applicable to this appendix.

A.3 SUBSTITUTION DATA

<u>New PIN</u>	<u>Old PIN</u>
5962-8775901MRA	5962-8775901RA
5962-8775901MSA	5962-8775901SA
5962-8775901M2A	5962-87759012A
5962-8775901MLA	5962-8775901LA
5962-8775901M3A	5962-87759013A

STANDARD MICROCIRCUIT DRAWING DEFENSE SUPPLY CENTER COLUMBUS COLUMBUS, OHIO 43218-3990	SIZE A		5962-87759
		REVISION LEVEL D	SHEET 24

STANDARD MICROCIRCUIT DRAWING BULLETIN
DATE: 05-05-20

Approved sources of supply for SMD 5962-87759 are listed below for immediate acquisition information only and shall be added to MIL-HDBK-103 and QML-38535 during the next revision. MIL-HDBK-103 and QML-38535 will be revised to include the addition or deletion of sources. The vendors listed below have agreed to this drawing and a certificate of compliance has been submitted to and accepted by DSCC-VA. This information bulletin is superseded by the next dated revision of MIL-HDBK-103 and QML-38535. DSCC maintains an online database of all current sources of supply at <http://www.dsc.dla.mil/Programs/Smcr/>.

Standard microcircuit drawing PIN <u>1</u> /	Vendor CAGE number	Vendor similar PIN <u>2</u> /
5962-8775901RA	<u>3</u> /	54ACT240
5962-8775901SA	<u>3</u> /	54ACT240
5962-87759012A	<u>3</u> /	54ACT240
5962-8775901MRA	27014 01295	54ACT240DMQB SNJ54ACT240J
5962-8775901MSA	27014 01295	54ACT240FMQB SNJ54ACT240W
5962-8775901M2A	27014 01295	54ACT240LMQB SNJ54ACT240FK
5962-8775901BRA	27014	JM54ACT240BRA
5962-8775901BSA	27014	JM54ACT240BSA
5962-8775901B2A	27014	JM54ACT240B2A
5962-8775901SRA	<u>3</u> /	SNV54ACT240J
5962-8775901SSA	<u>3</u> /	SNV54ACT240W
5962-8775901S2A	<u>3</u> /	JM54ACT240S2A
5962R8775901BRA	27014	JM54ACT240BRA-R
5962R8775901BSA	27014	JM54ACT240BSA-R
5962R8775901B2A	27014	JM54ACT240B2A-R
5962R8775901SRA	27014	JM54ACT240SRA-R
5962R8775901SSA	27014	JM54ACT240SSA-R
5962R8775901S2A	27014	JM54ACT240S2A-R
5962R8775901SZA	27014	JM54ACT240SZA-R
5962-8775902LA	<u>3</u> /	54ACT11240
5962-87759023A	<u>3</u> /	54ACT11240
5962-8775902MLA	<u>3</u> /	54ACT11240
5962-8775902M3A	<u>3</u> /	54ACT11240
5962-8775903QXA	F8859	54ACT240K02Q
5962-8775903QXC	F8859	54ACT240K01Q
5962-8775903VXA	F8859	54ACT240K02V
5962-8775903VXC	F8859	54ACT240K01V
5962F8775903QXA	F8859	RHFACT240K02Q
5962F8775903QXC	F8859	RHFACT240K01Q
5962F8775903VXA	F8859	RHFACT240K02V
5962F8775903VXC	F8859	RHFACT240K01V

See footnotes on next sheet.

STANDARD MICROCIRCUIT DRAWING BULLETIN – Continued.

- 1/ The lead finish shown for each PIN representing a hermetic package is the most readily available from the manufacturer listed for that part. If the desired lead finish is not listed, contact the vendor to determine its availability.
- 2/ Caution. Do not use this number for item acquisition. Items acquired to this number may not satisfy the performance requirements of this drawing.
- 3/ No longer available from an approved source of supply.

<u>Vendor CAGE number</u>	<u>Vendor name and address</u>
27014	National Semiconductor 2900 Semiconductor Drive P.O. Box 58090 Santa Clara, CA 95052-8090
01295	Texas Instruments, Inc. Semiconductor Group 8505 Forest Lane P.O. Box 660199 Dallas, TX 75243 Point of contact: U.S. Highway 75 South P.O. Box 84, M/S 853 Sherman, TX 75090-9493
F8859	ST Microelectronics 3 rue de Suisse BP4199 35041 RENNES cedex2 - France

The information contained herein is disseminated for convenience only and the Government assumes no liability whatsoever for any inaccuracies in the information bulletin.