

# MC10EP142, MC100EP142

## 3.3 V / 5 V ECL 9-Bit Shift Register

The MC10EP/100EP142 is a 9-bit shift register, designed with byte-parity applications in mind. The MC10/100EP142 is capable of performing serial/parallel data into serial/parallel out and shifting in only one direction. The nine inputs D0 – D8 accept parallel input data, while S-IN accepts serial input data. The Q0:87 outputs do not need to be terminated for the shift operation to function. To minimize power, any Q output not used should be left unterminated.

The SEL (Select) input pin is used to switch between the two modes of operation – SHIFT and LOAD. The shift direction is from Bit 0 to Bit 8. Input data is accepted by the registers a set-up time before the positive going edge of CLK0 or CLK1; shifting is also accomplished on the positive clock edge. A HIGH on the Master Reset pin (MR) asynchronously resets all the registers to zero, overriding CLK0 and CLK1 inputs.

The 100 Series contains temperature compensation.

### Features

- Shift Frequency >2.8 GHz (Typical)
- 9-Bit for Byte-Parity Applications
- Asynchronous Master Reset
- Dual Clocks
- PECL Mode Operating Range:  $V_{CC} = 3.0\text{ V}$  to  $5.5\text{ V}$  with  $V_{EE} = 0\text{ V}$
- NECL Mode Operating Range:  $V_{CC} = 0\text{ V}$  with  $V_{EE} = -3.0\text{ V}$  to  $-5.5\text{ V}$
- Open Input Default State
- Safety Clamp on Inputs
- These Devices are Pb-Free and are RoHS Compliant



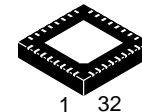
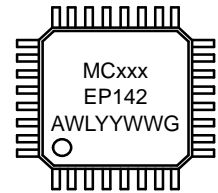
ON Semiconductor®

[www.onsemi.com](http://www.onsemi.com)

### MARKING DIAGRAM\*



LQFP-32  
FA SUFFIX  
CASE 873A



QFN32  
MN SUFFIX  
CASE 488AM



xxx = 10 or 100  
A = Assembly Location  
WL = Wafer Lot  
YY = Year  
WW = Work Week  
G or ■ = Pb-Free Package

(Note: Microdot may be in either location)

\*For additional marking information, refer to Application Note AND8002/D.

### ORDERING INFORMATION

See detailed ordering and shipping information in the package dimensions section on page 12 of this data sheet.

# MC10EP142, MC100EP142

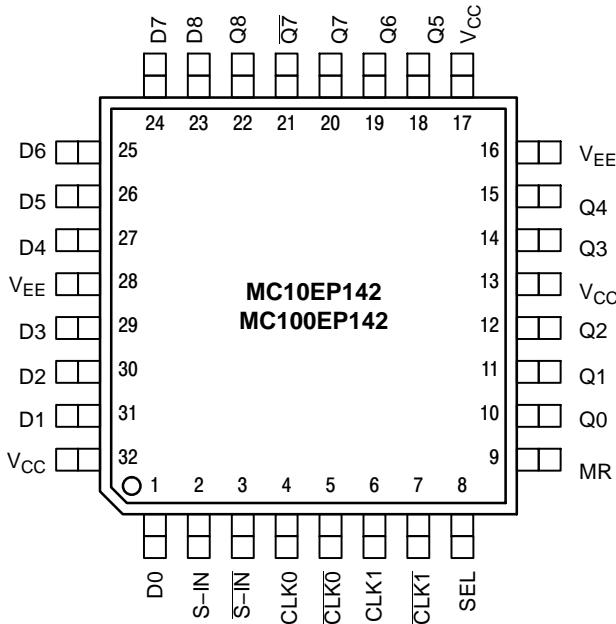


Figure 1. Pinout: LQFP-32 (Top View)

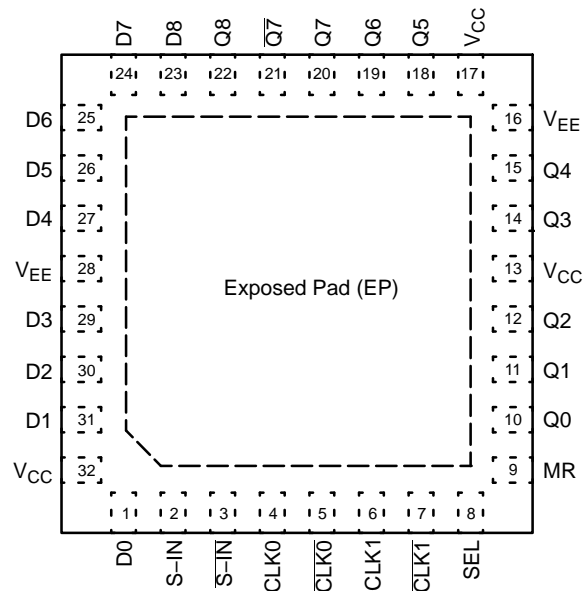


Figure 2. Pinout: QFN-32 (Top View)

Table 1. PIN DESCRIPTION

Pin	Name	I/O	Default State	Description
1,31,30,29,27,26,25,24,23	D[0:8]	ECL Input	Low	Single-Ended Parallel Data Inputs [0:8]. Internal 75 kΩ to V <sub>EE</sub> .
2	S-IN	ECL Input	Low	Noninverted Differential Serial Input. Internal 75 kΩ to V <sub>EE</sub> .
3	S-IN	ECL Input	High	Inverted Differential Serial Input. Internal 75 kΩ to V <sub>EE</sub> and 36.5 kΩ to V <sub>CC</sub> .
4	CLK0	ECL Input	Low	Noninverted Differential CLK0 Input. Internal 75 kΩ to V <sub>EE</sub> .
5	CLK0	ECL Input	High	Inverted Differential CLK0B Input. Internal 75 kΩ to V <sub>EE</sub> and 36.5 kΩ to V <sub>CC</sub> .
6	CLK1	ECL Input	Low	Noninverted Differential CLK1 Input. Internal 75 kΩ to V <sub>EE</sub> .
7	CLK1	ECL Input	High	Inverted Differential CLK1B Input. Internal 75 kΩ to V <sub>EE</sub> and 36.5 kΩ to V <sub>CC</sub> .
8	SEL	ECL Input	Low	Single-Ended Select Logic Input. Internal 75 kΩ to V <sub>EE</sub> .
9	MR	ECL Input	Low	Single-Ended Master Reset Logic Input. Internal 75 kΩ to V <sub>EE</sub> .
10,11,12,14,15,18,19,22	Q0,Q1,Q2,Q3,Q4,Q5,Q6,Q8	ECL Output	-	Single-Ended parallel Data outputs [0,1,2,3,4,5,6,8]. Typically Terminated with 50 Ω to V <sub>TT</sub> = V <sub>CC</sub> - 2 V.
13,17,32	V <sub>CC</sub>	-	-	Positive supply Voltage. All V <sub>CC</sub> Pins must be Externally Connected to Power Supply to Guarantee Proper Operation.
16,28	V <sub>EE</sub>	-	-	Negative supply Voltage. All V <sub>EE</sub> Pins must be Externally connected to Power Supply to Guarantee Proper Operation.
20	Q7	ECL Output	-	Noninverted Differential parallel/Serial Data Output 7. Typically Terminated with 50 Ω to V <sub>TT</sub> = V <sub>CC</sub> - 2 V.
21	Q7	ECL Output	-	Inverted Differential parallel/Serial Data Output 7. Typically Terminated with 50 Ω to V <sub>TT</sub> = V <sub>CC</sub> - 2 V.

1. All V<sub>CC</sub> and V<sub>EE</sub> pins must be externally connected to Power Supply to guarantee proper operation.

## MC10EP142, MC100EP142

**Table 2. TRUTH TABLE**

Function (Note 2)	SEL	S-IN	MR	CLK0	CLK1	Q0	Q1	Q2	Q3	Q4	Q5	Q6	Q7	Q8	Q9
<b>Load</b>	L	X	L	Z	Z	D0	D1	D2	D3	D4	D5	D6	D7	D8	D9
<b>Shift</b>	H	L	L	Z	Z	L	Q0	Q1	Q2	Q3	Q4	Q5	Q6	Q7	Q8
	H	H	L	Z	Z	H	Q0	Q1	Q2	Q3	Q4	Q5	Q6	Q7	Q8
<b>Reset</b>	X	X	H	Z	Z	L	L	L	L	L	L	L	L	L	L

2. All Load and Shift functions are accomplished on the positive edge of CLK0 or CLK1.

# MC10EP142, MC100EP142

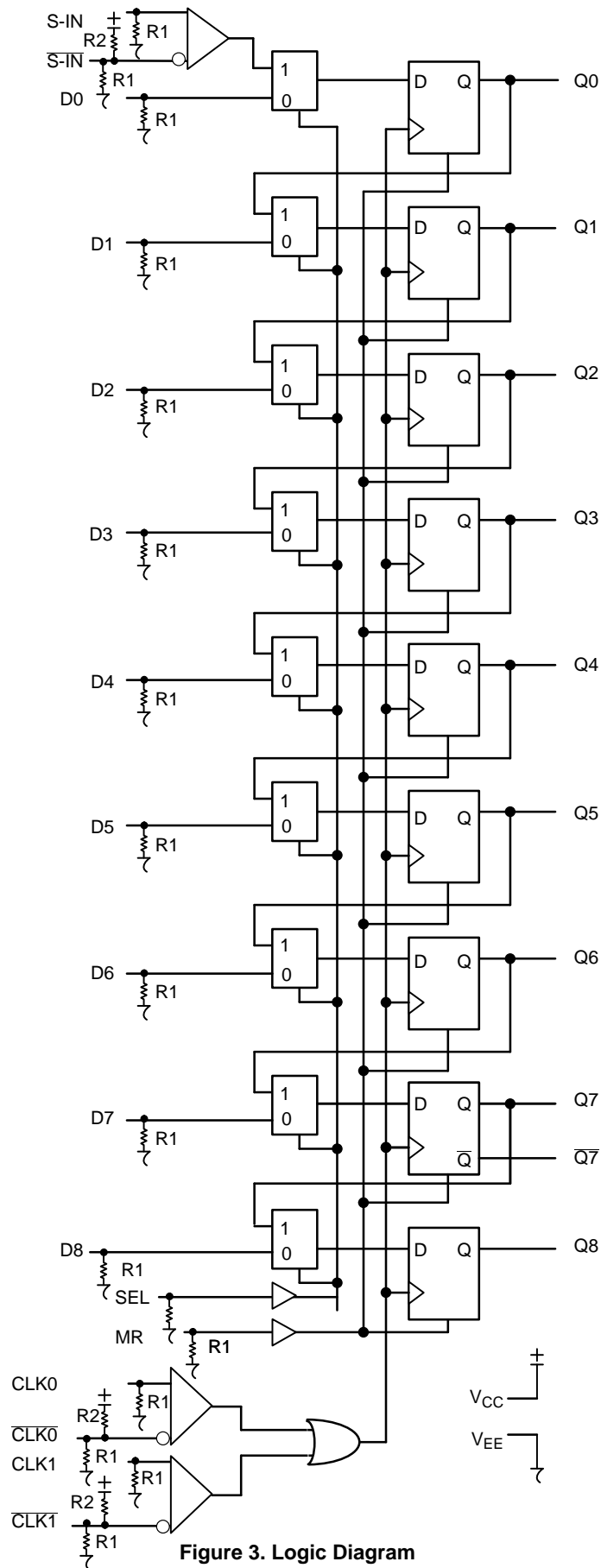


Figure 3. Logic Diagram

**MC10EP142, MC100EP142**

**Table 3. ATTRIBUTES**

Characteristics		Value
Internal Input Pulldown Resistor	(R1)	75 kΩ
Internal Input Pullup Resistor	(R2)	37.5 kΩ
ESD Protection	Human Body Model Machine Model Charged Device Model	> 2 kV > 100 V > 2 kV
Moisture Sensitivity (Note 3)	LQFP QFN	Level 2 Level 1
Flammability Rating	Oxygen Index: 28 to 34	UL-94 V-0 @ 0.125 in
Transistor Count		405 Devices
Meets or exceeds JEDEC Spec EIA/JESD78 IC Latchup Test		

3. For additional information, refer to Application Note AND8003/D.

## MC10EP142, MC100EP142

**Table 4. MAXIMUM RATINGS**

Symbol	Parameter	Condition 1	Condition 2	Rating	Unit
$V_{CC}$	Positive Power Supply	$V_{EE} = 0\text{ V}$		8	V
$V_{EE}$	Negative Power Supply	$V_{CC} = 0\text{ V}$		-8	V
$V_I$	PECL Mode Input Voltage NECL Mode Input Voltage	$V_{EE} = 0\text{ V}$ $V_{CC} = 0\text{ V}$	$V_I \leq V_{CC}$ $V_I \geq V_{EE}$	6 -6	V
$I_{out}$	Output Current	Continuous Surge		50 100	mA
$T_A$	Operating Temperature Range			-40 to +85	°C
$T_{stg}$	Storage Temperature Range			-65 to +150	°C
$\theta_{JA}$	Thermal Resistance (Junction-to-Ambient)	0 lfpm 500 lfpm	LQFP-32 LQFP-32	80 55	°C/W
$\theta_{JC}$	Thermal Resistance (Junction-to-Case)	Standard Board	LQFP-32	12 to 17	°C/W
$\theta_{JA}$	Thermal Resistance (Junction-to-Ambient)	0 lfpm 500 lfpm	QFN-32 QFN-32	31 27	°C/W
$\theta_{JC}$	Thermal Resistance (Junction-to-Case)	2S2P	QFN-32	12	°C/W
$T_{sol}$	Wave Solder Pb-Free	$\leq 3\text{ sec @ }260^\circ\text{C}$		265	°C

Stresses exceeding those listed in the Maximum Ratings table may damage the device. If any of these limits are exceeded, device functionality should not be assumed, damage may occur and reliability may be affected.

# MC10EP142, MC100EP142

**Table 5. 10EP DC CHARACTERISTICS, PECL**  $V_{CC} = 3.3\text{ V}$ ,  $V_{EE} = 0\text{ V}$  (Note 4)

Symbol	Characteristic	-40°C			25°C			85°C			Unit
		Min	Typ	Max	Min	Typ	Max	Min	Typ	Max	
$I_{EE}$	Negative Power Supply Current	105	125	145	105	125	145	105	125	145	mA
$V_{OH}$	Output HIGH Voltage (Note 5)	2165	2290	2415	2230	2355	2480	2290	2415	2540	mV
$V_{OL}$	Output LOW Voltage (Note 5)	1365	1490	1615	1430	1555	1680	1490	1615	1740	mV
$V_{IH}$	Input HIGH Voltage (Single-Ended)	2090		2415	2155		2480	2215		2540	mV
$V_{IL}$	Input LOW Voltage (Single-Ended)	1365		1690	1460		1755	1490		1815	mV
$V_{IHCMR}$	Input HIGH Voltage Common Mode Range (Differential Configuration) (Note 6)	2.0		3.3	2.0		3.3	2.0		3.3	V
$I_{IH}$	Input HIGH Current (@ $V_{IH}$ )			150			150			150	$\mu\text{A}$
$I_{IL}$	Input LOW Current (@ $V_{IL}$ ) CLK0, CLK1, D, S-IN CLK0, CLK1, S-IN	0.5 -150			0.5 -150			0.5 -150			$\mu\text{A}$

NOTE: Device will meet the specifications after thermal equilibrium has been established when mounted in a test socket or printed circuit board with maintained transverse airflow greater than 500 lfm.

4. Input and output parameters vary 1:1 with  $V_{CC}$ .  $V_{EE}$  can vary +0.3 V to -2.2 V.

5. All loading with 50  $\Omega$  to  $V_{CC} - 2.0\text{ V}$ .

6.  $V_{IHCMR}$  min varies 1:1 with  $V_{EE}$ ,  $V_{IHCMR}$  max varies 1:1 with  $V_{CC}$ . The  $V_{IHCMR}$  range is referenced to the most positive side of the differential input signal.

**Table 6. 10EP DC CHARACTERISTICS, PECL**  $V_{CC} = 5.0\text{ V}$ ,  $V_{EE} = 0\text{ V}$  (Note 7)

Symbol	Characteristic	-40°C			25°C			85°C			Unit
		Min	Typ	Max	Min	Typ	Max	Min	Typ	Max	
$I_{EE}$	Negative Power Supply Current (Note 8)	105	125	145	105	125	145	105	125	145	mA
$V_{OH}$	Output HIGH Voltage (Note 9)	3865	3990	4115	3930	4055	4180	3990	4115	4240	mV
$V_{OL}$	Output LOW Voltage (Note 9)	3065	3190	3315	3130	3255	3380	3190	3315	3440	mV
$V_{IH}$	Input HIGH Voltage (Single-Ended)	3790		4115	3855		4180	3915		4240	mV
$V_{IL}$	Input LOW Voltage (Single-Ended)	3065		3390	3130		3455	3190		3515	mV
$V_{IHCMR}$	Input HIGH Voltage Common Mode Range (Differential Configuration) (Note 10)	2.0		5.0	2.0		5.0	2.0		5.0	V
$I_{IH}$	Input HIGH Current (@ $V_{IH}$ )			150			150			150	$\mu\text{A}$
$I_{IL}$	Input LOW Current (@ $V_{IL}$ ) CLK0, CLK1, D, S-IN CLK0, CLK1, S-IN	0.5 -150			0.5 -150			0.5 -150			$\mu\text{A}$

NOTE: Device will meet the specifications after thermal equilibrium has been established when mounted in a test socket or printed circuit board with maintained transverse airflow greater than 500 lfm.

7. Input and output parameters vary 1:1 with  $V_{CC}$ .  $V_{EE}$  can vary +2.0 V to -0.5 V.

8. Required 500 lfm air flow when using +5 V power supply. For  $(V_{CC} - V_{EE}) > 3.3\text{ V}$ , 5  $\Omega$  to 10  $\Omega$  in line with  $V_{EE}$  required for maximum thermal protection at elevated temperatures. Recommend  $V_{CC} - V_{EE}$  operation at  $\leq 3.3\text{ V}$ .

9. All loading with 50  $\Omega$  to  $V_{CC} - 2.0\text{ V}$ .

10.  $V_{IHCMR}$  min varies 1:1 with  $V_{EE}$ ,  $V_{IHCMR}$  max varies 1:1 with  $V_{CC}$ . The  $V_{IHCMR}$  range is referenced to the most positive side of the differential input signal.

**Table 7. 10EP DC CHARACTERISTICS, NECL**  $V_{CC} = 0\text{ V}$ ,  $V_{EE} = -5.5\text{ V}$  to  $-3.0\text{ V}$  (Note 11)

Symbol	Characteristic	-40°C			25°C			85°C			Unit
		Min	Typ	Max	Min	Typ	Max	Min	Typ	Max	
$I_{EE}$	Negative Power Supply Current (Note 12)	105	125	145	105	125	145	105	125	145	mA
$V_{OH}$	Output HIGH Voltage (Note 13)	-1135	-1010	-885	-1070	-945	-820	-1010	-885	-760	mV
$V_{OL}$	Output LOW Voltage (Note 13)	-1935	-1810	-1685	-1870	-1745	-1620	-1810	-1685	-1560	mV

# MC10EP142, MC100EP142

**Table 7. 10EP DC CHARACTERISTICS, NECL**  $V_{CC} = 0\text{ V}$ ,  $V_{EE} = -5.5\text{ V}$  to  $-3.0\text{ V}$  (Note 11)

Symbol	Characteristic	-40°C			25°C			85°C			Unit
		Min	Typ	Max	Min	Typ	Max	Min	Typ	Max	
$V_{IH}$	Input HIGH Voltage (Single-Ended)	-1210		-885	-1145		-820	-1085		-760	mV
$V_{IL}$	Input LOW Voltage (Single-Ended)	-1935		-1610	-1870		-1545	-1810		-1485	mV
$V_{IHCMR}$	Input HIGH Voltage Common Mode Range (Differential Configuration) (Note 14)	$V_{EE}+2.0$		0.0	$V_{EE}+2.0$		0.0	$V_{EE}+2.0$		0.0	V
$I_{IH}$	Input HIGH Current (@ $V_{IH}$ )			150			150			150	$\mu\text{A}$
$I_{IL}$	Input LOW Current (@ $V_{IL}$ ) CLK0, CLK1, D, S-IN CLK0, CLK1, S-IN	0.5 -150			0.5 -150			0.5 -150			$\mu\text{A}$

NOTE: Device will meet the specifications after thermal equilibrium has been established when mounted in a test socket or printed circuit board with maintained transverse airflow greater than 500 lfm.

11. Input and output parameters vary 1:1 with  $V_{CC}$ .

12. Required 500 lfm air flow when using -5 V power supply. For  $(V_{CC} - V_{EE}) > 3.3\text{ V}$ ,  $5\ \Omega$  to  $10\ \Omega$  in line with  $V_{EE}$  required for maximum thermal protection at elevated temperatures. Recommend  $V_{CC}-V_{EE}$  operation at  $\leq 3.3\text{ V}$ .

13. All loading with  $50\ \Omega$  to  $V_{CC} - 2.0\text{ V}$ .

14.  $V_{IHCMR}$  min varies 1:1 with  $V_{EE}$ ,  $V_{IHCMR}$  max varies 1:1 with  $V_{CC}$ . The  $V_{IHCMR}$  range is referenced to the most positive side of the differential input signal.

**Table 8. 100EP DC CHARACTERISTICS, PECL**  $V_{CC} = 3.3\text{ V}$ ,  $V_{EE} = 0\text{ V}$  (Note 15)

Symbol	Characteristic	-40°C			25°C			85°C			Unit
		Min	Typ	Max	Min	Typ	Max	Min	Typ	Max	
$I_{EE}$	Negative Power Supply Current	105	125	145	105	130	150	105	130	150	mA
$V_{OH}$	Output HIGH Voltage (Note 16)	2155	2280	2405	2155	2280	2405	2155	2280	2405	mV
$V_{OL}$	Output LOW Voltage (Note 16)	1305	1480	1605	1305	1480	1605	1305	1480	1605	mV
$V_{IH}$	Input HIGH Voltage (Single-Ended)	2075		2420	2075		2420	2075		2420	mV
$V_{IL}$	Input LOW Voltage (Single-Ended)	1305		1675	1305		1675	1305		1675	mV
$V_{IHCMR}$	Input HIGH Voltage Common Mode Range (Differential Configuration) (Note 17)	2.0		3.3	2.0		3.3	2.0		3.3	V
$I_{IH}$	Input HIGH Current (@ $V_{IH}$ )			150			150			150	$\mu\text{A}$
$I_{IL}$	Input LOW Current (@ $V_{IL}$ ) CLK0, CLK1, D, S-IN CLK0, CLK1, S-IN	0.5 -150			0.5 -150			0.5 -150			$\mu\text{A}$

NOTE: Device will meet the specifications after thermal equilibrium has been established when mounted in a test socket or printed circuit board with maintained transverse airflow greater than 500 lfm.

15. Input and output parameters vary 1:1 with  $V_{CC}$ .  $V_{EE}$  can vary +0.3 V to -2.2 V.

16. All loading with  $50\ \Omega$  to  $V_{CC} - 2.0\text{ V}$ .

17.  $V_{IHCMR}$  min varies 1:1 with  $V_{EE}$ ,  $V_{IHCMR}$  max varies 1:1 with  $V_{CC}$ . The  $V_{IHCMR}$  range is referenced to the most positive side of the differential input signal.

**Table 9. 100EP DC CHARACTERISTICS, PECL**  $V_{CC} = 5.0\text{ V}$ ,  $V_{EE} = 0\text{ V}$  (Note 18)

Symbol	Characteristic	-40°C			25°C			85°C			Unit
		Min	Typ	Max	Min	Typ	Max	Min	Typ	Max	
$I_{EE}$	Negative Power Supply Current (Note 19)	105	125	145	105	130	150	105	130	150	mA
$V_{OH}$	Output HIGH Voltage (Note 20)	3855	3980	4105	3855	3980	4105	3855	3980	4105	mV
$V_{OL}$	Output LOW Voltage (Note 20)	3005	3180	3305	3005	3180	3305	3005	3180	3305	mV
$V_{IH}$	Input HIGH Voltage (Single-Ended)	3775		4120	3775		4120	3775		4120	mV
$V_{IL}$	Input LOW Voltage (Single-Ended)	3005		3375	3005		3375	3005		3375	mV



# MC10EP142, MC100EP142

**Table 9. 100EP DC CHARACTERISTICS, PECL**  $V_{CC} = 5.0\text{ V}$ ,  $V_{EE} = 0\text{ V}$  (Note 18)

Symbol	Characteristic	-40°C			25°C			85°C			Unit
		Min	Typ	Max	Min	Typ	Max	Min	Typ	Max	
$V_{IHCMR}$	Input HIGH Voltage Common Mode Range (Differential Configuration) (Note 21)	2.0		5.0	2.0		5.0	2.0		5.0	V
$I_{IH}$	Input HIGH Current (@ $V_{IH}$ )			150			150			150	$\mu\text{A}$
$I_{IL}$	Input LOW Current (@ $V_{IL}$ ) CLK0, CLK1, D, S-IN CLK0, CLK1, S-IN	0.5 -150			0.5 -150			0.5 -150			$\mu\text{A}$

NOTE: Device will meet the specifications after thermal equilibrium has been established when mounted in a test socket or printed circuit board with maintained transverse airflow greater than 500 lpm.

18. Input and output parameters vary 1:1 with  $V_{CC}$ .  $V_{EE}$  can vary +2.0 V to -0.5 V.

19. Required 500 lpm air flow when using +5 V power supply. For  $(V_{CC} - V_{EE}) > 3.3\text{ V}$ , 5  $\Omega$  to 10  $\Omega$  in line with  $V_{EE}$  required for maximum thermal protection at elevated temperatures. Recommend  $V_{CC} - V_{EE}$  operation at  $\leq 3.3\text{ V}$ .

20. All loading with 50  $\Omega$  to  $V_{CC} - 2.0\text{ V}$ .

21.  $V_{IHCMR}$  min varies 1:1 with  $V_{EE}$ ,  $V_{IHCMR}$  max varies 1:1 with  $V_{CC}$ . The  $V_{IHCMR}$  range is referenced to the most positive side of the differential input signal.

**Table 10. 100EP DC CHARACTERISTICS, NECL**  $V_{CC} = 0\text{ V}$ ,  $V_{EE} = -5.5\text{ V}$  to  $-3.0\text{ V}$  (Note 22)

Symbol	Characteristic	-40°C			25°C			85°C			Unit
		Min	Typ	Max	Min	Typ	Max	Min	Typ	Max	
$I_{EE}$	Negative Power Supply Current (Note 23)	105	125	145	105	130	150	105	130	150	mA
$V_{OH}$	Output HIGH Voltage (Note 24)	-1145	-1020	-895	-1145	-1020	-895	-1145	-1020	-895	mV
$V_{OL}$	Output LOW Voltage (Note 24)	-1995	-1820	-1695	-1995	-1820	-1695	-1995	-1820	-1695	mV
$V_{IH}$	Input HIGH Voltage (Single-Ended)	-1225		-880	-1225		-880	-1225		-880	mV
$V_{IL}$	Input LOW Voltage (Single-Ended)	-1995		-1625	-1995		-1625	-1995		-1625	mV
$V_{IHCMR}$	Input HIGH Voltage Common Mode Range (Differential Configuration) (Note 25)	$V_{EE} + 2.0$		0.0	$V_{EE} + 2.0$		0.0	$V_{EE} + 2.0$		0.0	V
$I_{IH}$	Input HIGH Current (@ $V_{IH}$ )			150			150			150	$\mu\text{A}$
$I_{IL}$	Input LOW Current (@ $V_{IL}$ ) CLK0, CLK1, D, S-IN CLK0, CLK1, S-IN	0.5 -150			0.5 -150			0.5 -150			$\mu\text{A}$

NOTE: Device will meet the specifications after thermal equilibrium has been established when mounted in a test socket or printed circuit board with maintained transverse airflow greater than 500 lpm.

22. Input and output parameters vary 1:1 with  $V_{CC}$ .

23. Required 500 lpm air flow when using -5 V power supply. For  $(V_{CC} - V_{EE}) > 3.3\text{ V}$ , 5  $\Omega$  to 10  $\Omega$  in line with  $V_{EE}$  required for maximum thermal protection at elevated temperatures. Recommend  $V_{CC} - V_{EE}$  operation at  $\leq 3.3\text{ V}$ .

24. All loading with 50  $\Omega$  to  $V_{CC} - 2.0\text{ V}$ .

25.  $V_{IHCMR}$  min varies 1:1 with  $V_{EE}$ ,  $V_{IHCMR}$  max varies 1:1 with  $V_{CC}$ . The  $V_{IHCMR}$  range is referenced to the most positive side of the differential input signal.

**Table 11. AC CHARACTERISTICS**  $V_{CC} = 3.0\text{ V}$  to  $5.5\text{ V}$ ;  $V_{EE} = 0.0\text{ V}$  or  $V_{CC} = 0.0\text{ V}$ ;  $V_{EE} = -3.0\text{ V}$  to  $-5.5\text{ V}$  (Note 26)

Symbol	Characteristic	-40°C			25°C			85°C			Unit
		Min	Typ	Max	Min	Typ	Max	Min	Typ	Max	
$f_{SHIFT}$	Maximum Shift Frequency					2.8					GHz
$t_{PLH}$ , $t_{PHL}$	Propagation Delay to Output CLKx MR	500 500	625 625	750 750	550 550	675 675	800 800	575 575	700 700	825 825	ps
$t_s$	Setup Time D SEL	50 100	-50 50		50 100	-50 50		50 100	-50 50		ps

# MC10EP142, MC100EP142

**Table 11. AC CHARACTERISTICS**  $V_{CC} = 3.0\text{ V to }5.5\text{ V}$ ;  $V_{EE} = 0.0\text{ V or }V_{CC} = 0.0\text{ V}$ ;  $V_{EE} = -3.0\text{ V to }-5.5\text{ V}$  (Note 26)

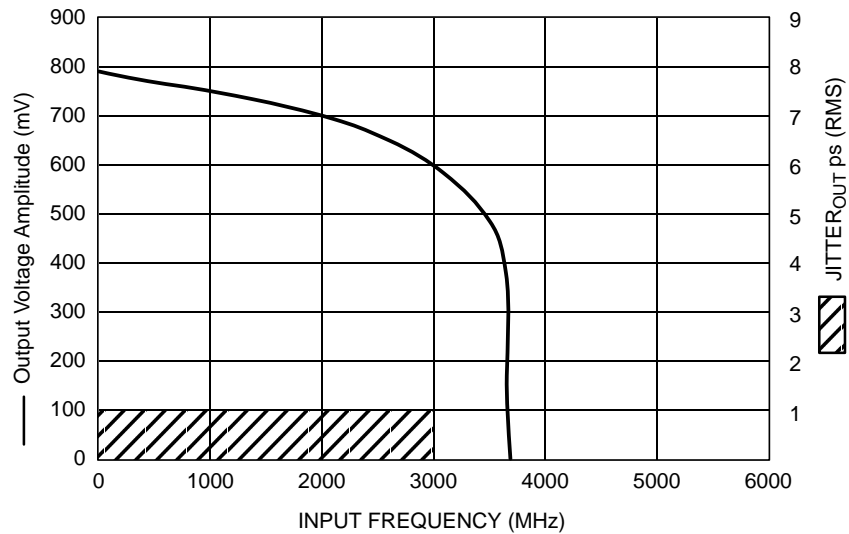
Symbol	Characteristic	-40°C			25°C			85°C			Unit
		Min	Typ	Max	Min	Typ	Max	Min	Typ	Max	
$t_h$	Hold Time D SEL	100 50	50 -50		100 50	50 -50		100 50	50 -50		ps
$t_{RR}$	Reset Recovery Time					800					ps
$t_{pw}$	Minimum Pulse Width					200					ps
$t_{SKEW}$	Within-Device Skew (Note 27) Duty Cycle Skew (Note 28) Q, $\bar{Q}$		50 5.0	100 20		50 5.0	100 20		50 5.0	100 20	ps
$t_{JITTER}$	Random Clock Jitter (Figure 4)		1	2		1	2		1	2	ps
$V_{inpp}$	Input Voltage Swing/Sensitivity (Differential Configuration)	150	800	1200	150	800	1200	150	800	1200	mV
$t_r$ , $t_f$	Rise/Fall Times @ 50 MHz (20 - 80%)	110	180	250	125	190	275	150	215	300	ps

NOTE: Device will meet the specifications after thermal equilibrium has been established when mounted in a test socket or printed circuit board with maintained transverse airflow greater than 500 lfm.

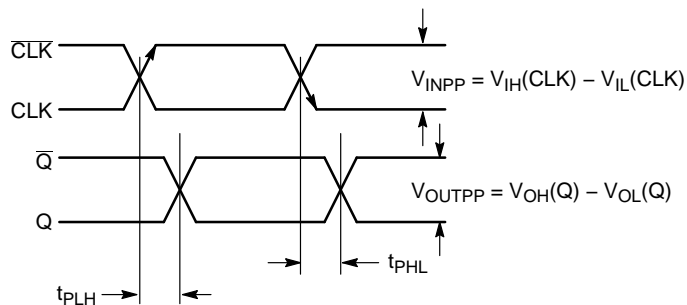
26. Measured using a 750 mV source, 50% duty cycle clock source. All loading with  $50\ \Omega$  to  $V_{CC} - 2.0\text{ V}$ .

27. Within-device skew is defined as identical transitions on similar paths through a device.

28. Skew is measured between output outputs under identical transitions. Duty cycle skew is defined only for differential operation when the delays are measured from the cross point of the inputs to the cross point of the outputs.



**Figure 4. Output Voltage Amplitude / RMS Jitter vs. Input Frequency at Ambient Temperature (Typical)**



**Figure 5. AC Reference Measurement**

MC10EP142, MC100EP142

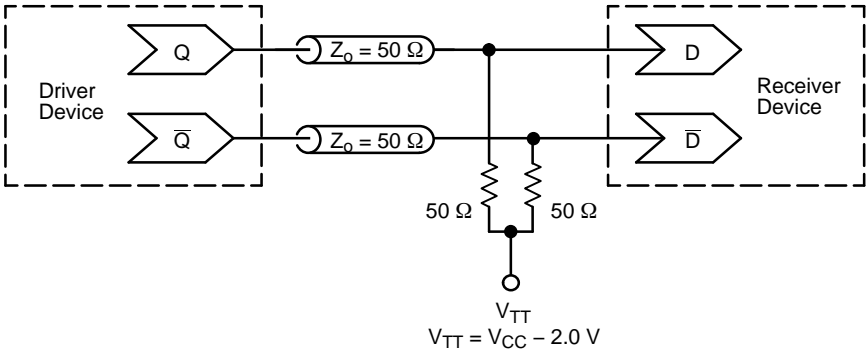


Figure 6. Typical Termination for Output Driver and Device Evaluation  
(See Application Note AND8020/D – Termination of ECL Logic Devices.)

## MC10EP142, MC100EP142

### ORDERING INFORMATION

Device	Package	Shipping†
MC10EP142FAG	LQFP-32 (Pb-Free)	250 Units / Tray
MC10EP142FAR2G		2000 / Tape & Reel
MC10EP142MNG	QFN-32 (Pb-Free)	74 Units / Rail
MC10EP142MNR4G		1000 / Tape & Reel
MC100EP142FAG	LQFP-32 (Pb-Free)	250 Units / Tray
MC100EP142FAR2G		2000 / Tape & Reel
MC100EP142MNG	QFN-32 (Pb-Free)	74 Units / Rail
MC100EP142MNR4G		1000 / Tape & Reel

†For information on tape and reel specifications, including part orientation and tape sizes, please refer to our Tape and Reel Packaging Specifications Brochure, BRD8011/D.

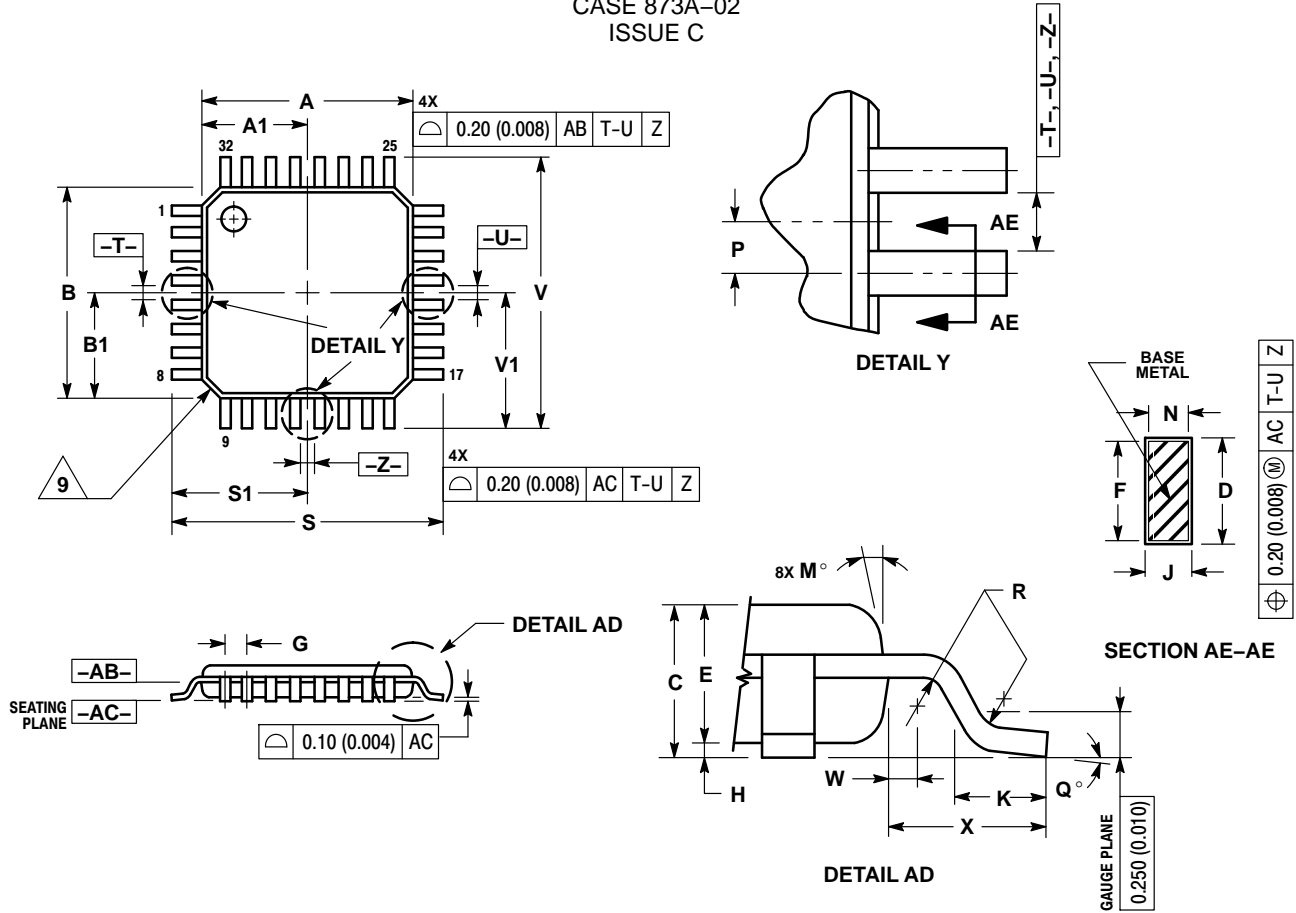
### Resource Reference of Application Notes

- AN1405/D** – ECL Clock Distribution Techniques
- AN1406/D** – Designing with PECL (ECL at +5.0 V)
- AN1503/D** – ECLinPS™ I/O SPICE Modeling Kit
- AN1504/D** – Metastability and the ECLinPS Family
- AN1568/D** – Interfacing Between LVDS and ECL
- AN1672/D** – The ECL Translator Guide
- AND8001/D** – Odd Number Counters Design
- AND8002/D** – Marking and Date Codes
- AND8020/D** – Termination of ECL Logic Devices
- AND8066/D** – Interfacing with ECLinPS
- AND8090/D** – AC Characteristics of ECL Devices

# MC10EP142, MC100EP142

## PACKAGE DIMENSIONS

32 LEAD LQFP  
CASE 873A-02  
ISSUE C



### NOTES:

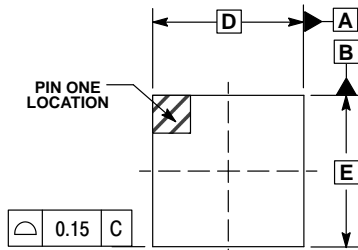
- DIMENSIONING AND TOLERANCING PER ANSI Y14.5M, 1982.
- CONTROLLING DIMENSION: MILLIMETER.
- DATUM PLANE -AB- IS LOCATED AT BOTTOM OF LEAD AND IS COINCIDENT WITH THE LEAD WHERE THE LEAD EXITS THE PLASTIC BODY AT THE BOTTOM OF THE PARTING LINE.
- DATUMS -T-, -U-, AND -Z- TO BE DETERMINED AT DATUM PLANE -AB-.
- DIMENSIONS S AND V TO BE DETERMINED AT SEATING PLANE -AC-.
- DIMENSIONS A AND B DO NOT INCLUDE MOLD PROTRUSION. ALLOWABLE PROTRUSION IS 0.250 (0.010) PER SIDE. DIMENSIONS A AND B DO INCLUDE MOLD MISMATCH AND ARE DETERMINED AT DATUM PLANE -AB-.
- DIMENSION D DOES NOT INCLUDE DAMBAR PROTRUSION. DAMBAR PROTRUSION SHALL NOT CAUSE THE D DIMENSION TO EXCEED 0.520 (0.020).
- MINIMUM SOLDER PLATE THICKNESS SHALL BE 0.0076 (0.0003).
- EXACT SHAPE OF EACH CORNER MAY VARY FROM DEPICTION.

DIM	MILLIMETERS		INCHES	
	MIN	MAX	MIN	MAX
A	7.000 BSC		0.276 BSC	
A1	3.500 BSC		0.138 BSC	
B	7.000 BSC		0.276 BSC	
B1	3.500 BSC		0.138 BSC	
C	1.400	1.600	0.055	0.063
D	0.300	0.450	0.012	0.018
E	1.350	1.450	0.053	0.057
F	0.300	0.400	0.012	0.016
G	0.800 BSC		0.031 BSC	
H	0.050	0.150	0.002	0.006
J	0.090	0.200	0.004	0.008
K	0.450	0.750	0.018	0.030
M	12° REF		12° REF	
N	0.090	0.160	0.004	0.006
P	0.400 BSC		0.016 BSC	
Q	1°	5°	1°	5°
R	0.150	0.250	0.006	0.010
S	9.000 BSC		0.354 BSC	
S1	4.500 BSC		0.177 BSC	
V	9.000 BSC		0.354 BSC	
V1	4.500 BSC		0.177 BSC	
W	0.200 REF		0.008 REF	
X	1.000 REF		0.039 REF	

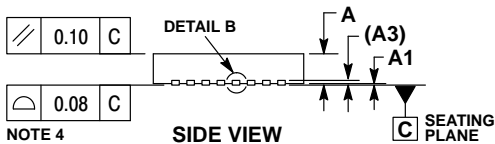
# MC10EP142, MC100EP142

## PACKAGE DIMENSIONS

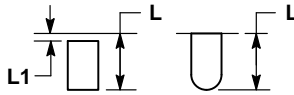
QFN32 5x5, 0.5P  
CASE 488AM  
ISSUE A



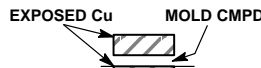
TOP VIEW



SIDE VIEW



DETAIL A  
ALTERNATE TERMINAL  
CONSTRUCTIONS

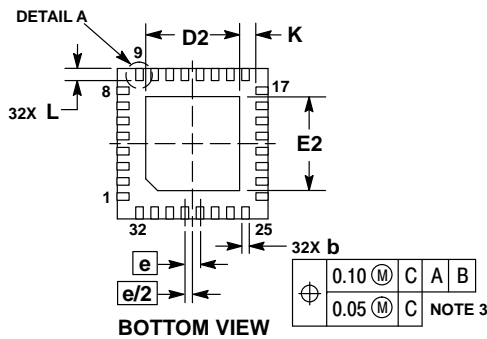


DETAIL B  
ALTERNATE  
CONSTRUCTION

NOTES:

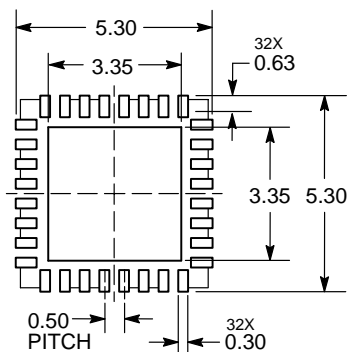
1. DIMENSIONS AND TOLERANCING PER ASME Y14.5M, 1994.
2. CONTROLLING DIMENSION: MILLIMETERS.
3. DIMENSION b APPLIES TO PLATED TERMINAL AND IS MEASURED BETWEEN 0.15 AND 0.30MM FROM THE TERMINAL TIP.
4. COPLANARITY APPLIES TO THE EXPOSED PAD AS WELL AS THE TERMINALS.

DIM	MILLIMETERS	
	MIN	MAX
A	0.80	1.00
A1	---	0.05
A3	0.20	REF
b	0.18	0.30
D	5.00	BSC
D2	2.95	3.25
E	5.00	BSC
E2	2.95	3.25
e	0.50	BSC
K	0.20	---
L	0.30	0.50
L1	---	0.15



BOTTOM VIEW

### RECOMMENDED SOLDERING FOOTPRINT\*



DIMENSION: MILLIMETERS

\*For additional information on our Pb-Free strategy and soldering details, please download the ON Semiconductor Soldering and Mounting Techniques Reference Manual, SOLDERRM/D.

ECLinPS is a trademark of Semiconductor Components Industries, LLC (SCILLC)

ON Semiconductor and are registered trademarks of Semiconductor Components Industries, LLC (SCILLC). SCILLC owns the rights to a number of patents, trademarks, copyrights, trade secrets, and other intellectual property. A listing of SCILLC's product/patent coverage may be accessed at [www.onsemi.com/site/pdf/Patent-Marking.pdf](http://www.onsemi.com/site/pdf/Patent-Marking.pdf). SCILLC reserves the right to make changes without further notice to any products herein. SCILLC makes no warranty, representation or guarantee regarding the suitability of its products for any particular purpose, nor does SCILLC assume any liability arising out of the application or use of any product or circuit, and specifically disclaims any and all liability, including without limitation special, consequential or incidental damages. "Typical" parameters which may be provided in SCILLC data sheets and/or specifications can and do vary in different applications and actual performance may vary over time. All operating parameters, including "Typicals" must be validated for each customer application by customer's technical experts. SCILLC does not convey any license under its patent rights nor the rights of others. SCILLC products are not designed, intended, or authorized for use as components in systems intended for surgical implant into the body, or other applications intended to support or sustain life, or for any other application in which the failure of the SCILLC product could create a situation where personal injury or death may occur. Should Buyer purchase or use SCILLC products for any such unintended or unauthorized application, Buyer shall indemnify and hold SCILLC and its officers, employees, subsidiaries, affiliates, and distributors harmless against all claims, costs, damages, and expenses, and reasonable attorney fees arising out of, directly or indirectly, any claim of personal injury or death associated with such unintended or unauthorized use, even if such claim alleges that SCILLC was negligent regarding the design or manufacture of the part. SCILLC is an Equal Opportunity/Affirmative Action Employer. This literature is subject to all applicable copyright laws and is not for resale in any manner.

### PUBLICATION ORDERING INFORMATION

**LITERATURE FULFILLMENT:**  
Literature Distribution Center for ON Semiconductor  
P.O. Box 5163, Denver, Colorado 80217 USA  
**Phone:** 303-675-2175 or 800-344-3860 Toll Free USA/Canada  
**Fax:** 303-675-2176 or 800-344-3867 Toll Free USA/Canada  
**Email:** [orderlit@onsemi.com](mailto:orderlit@onsemi.com)

**N. American Technical Support:** 800-282-9855 Toll Free  
USA/Canada  
**Europe, Middle East and Africa Technical Support:**  
Phone: 421 33 790 2910  
**Japan Customer Focus Center**  
Phone: 81-3-5817-1050

**ON Semiconductor Website:** [www.onsemi.com](http://www.onsemi.com)  
**Order Literature:** <http://www.onsemi.com/orderlit>

For additional information, please contact your local Sales Representative

MC10EP142/D