



Is Now Part of



ON Semiconductor®

To learn more about ON Semiconductor, please visit our website at
www.onsemi.com

Please note: As part of the Fairchild Semiconductor integration, some of the Fairchild orderable part numbers will need to change in order to meet ON Semiconductor's system requirements. Since the ON Semiconductor product management systems do not have the ability to manage part nomenclature that utilizes an underscore (_), the underscore (_) in the Fairchild part numbers will be changed to a dash (-). This document may contain device numbers with an underscore (_). Please check the ON Semiconductor website to verify the updated device numbers. The most current and up-to-date ordering information can be found at www.onsemi.com. Please email any questions regarding the system integration to Fairchild_questions@onsemi.com.

ON Semiconductor and the ON Semiconductor logo are trademarks of Semiconductor Components Industries, LLC dba ON Semiconductor or its subsidiaries in the United States and/or other countries. ON Semiconductor owns the rights to a number of patents, trademarks, copyrights, trade secrets, and other intellectual property. A listing of ON Semiconductor's product/patent coverage may be accessed at www.onsemi.com/site/pdf/Patent-Marking.pdf. ON Semiconductor reserves the right to make changes without further notice to any products herein. ON Semiconductor makes no warranty, representation or guarantee regarding the suitability of its products for any particular purpose, nor does ON Semiconductor assume any liability arising out of the application or use of any product or circuit, and specifically disclaims any and all liability, including without limitation special, consequential or incidental damages. Buyer is responsible for its products and applications using ON Semiconductor products, including compliance with all laws, regulations and safety requirements or standards, regardless of any support or applications information provided by ON Semiconductor. "Typical" parameters which may be provided in ON Semiconductor data sheets and/or specifications can and do vary in different applications and actual performance may vary over time. All operating parameters, including "Typicals" must be validated for each customer application by customer's technical experts. ON Semiconductor does not convey any license under its patent rights nor the rights of others. ON Semiconductor products are not designed, intended, or authorized for use as a critical component in life support systems or any FDA Class 3 medical devices or medical devices with a same or similar classification in a foreign jurisdiction or any devices intended for implantation in the human body. Should Buyer purchase or use ON Semiconductor products for any such unintended or unauthorized application, Buyer shall indemnify and hold ON Semiconductor and its officers, employees, subsidiaries, affiliates, and distributors harmless against all claims, costs, damages, and expenses, and reasonable attorney fees arising out of, directly or indirectly, any claim of personal injury or death associated with such unintended or unauthorized use, even if such claim alleges that ON Semiconductor was negligent regarding the design or manufacture of the part. ON Semiconductor is an Equal Opportunity/Affirmative Action Employer. This literature is subject to all applicable copyright laws and is not for resale in any manner.

MM74HC4051 • MM74HC4052 • MM74HC4053

8-Channel Analog Multiplexer • Dual 4-Channel Analog Multiplexer • Triple 2-Channel Analog Multiplexer

General Description

The MM74HC4051, MM74HC4052 and MM74HC4053 multiplexers are digitally controlled analog switches implemented in advanced silicon-gate CMOS technology. These switches have low "on" resistance and low "off" leakages. They are bidirectional switches, thus any analog input may be used as an output and vice-versa. Also these switches contain linearization circuitry which lowers the on resistance and increases switch linearity. These devices allow control of up to $\pm 6V$ (peak) analog signals with digital control signals of 0 to 6V. Three supply pins are provided for V_{CC} , ground, and V_{EE} . This enables the connection of 0–5V logic signals when $V_{CC} = 5V$ and an analog input range of $\pm 5V$ when $V_{EE} = 5V$. All three devices also have an inhibit control which when HIGH will disable all switches to their off state. All analog inputs and outputs and digital inputs are protected from electrostatic damage by diodes to V_{CC} and ground.

MM74HC4051: This device connects together the outputs of 8 switches, thus achieving an 8 channel Multiplexer. The binary code placed on the A, B, and C select lines determines which one of the eight switches is "on", and connects one of the eight inputs to the common output.

MM74HC4052: This device connects together the outputs of 4 switches in two sets, thus achieving a pair of 4-channel multiplexers. The binary code placed on the A, and B select lines determine which switch in each 4 channel section is "on", connecting one of the four inputs in each section to its common output. This enables the implementation of a 4-channel differential multiplexer.

MM74HC4053: This device contains 6 switches whose outputs are connected together in pairs, thus implementing a triple 2 channel multiplexer, or the equivalent of 3 single-pole-double throw configurations. Each of the A, B, or C select lines independently controls one pair of switches, selecting one of the two switches to be "on".

Features

- Wide analog input voltage range: $\pm 6V$
- Low "on" resistance:
 - 50 typ. ($V_{CC} - V_{EE} = 4.5V$)
 - 30 typ. ($V_{CC} - V_{EE} = 9V$)
- Logic level translation to enable 5V logic with $\pm 5V$ analog signals
- Low quiescent current: 80 μA maximum (74HC)
- Matched Switch characteristic

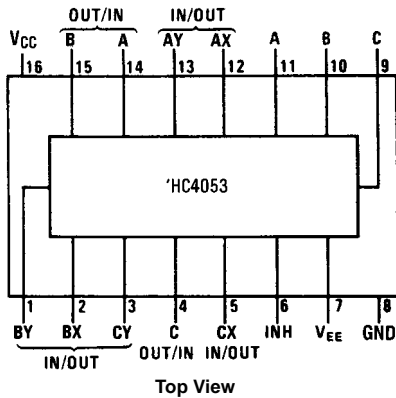
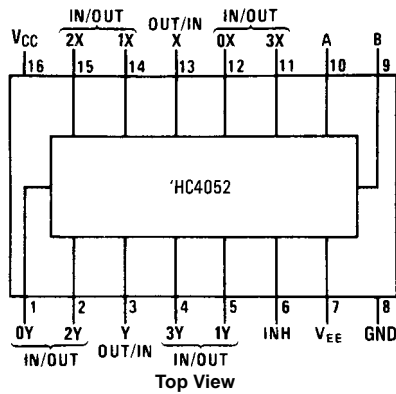
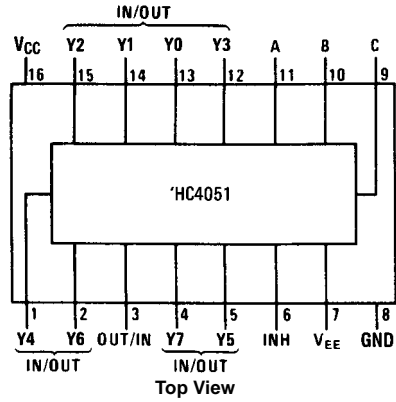
Ordering Code:

| Order Number | Package Number | Package Description |
|---------------|----------------|------------------------------------------------------------------------------|
| MM74HC4051M | M16A | 16-Lead Small Outline Integrated Circuit (SOIC), JEDEC MS-012, 0.150" Narrow |
| MM74HC4051WM | M16B | 16-Lead Small Outline Integrated Circuit (SOIC), JEDEC MS-013, 0.300" Wide |
| MM74HC4051SJ | M16D | 16-Lead Small Outline Package (SOP), EIAJ TYPE II, 5.3mm Wide |
| MM74HC4051MTC | MTC16 | 16-Lead Thin Shrink Small Outline Package (TSSOP), JEDEC MO-153, 4.4mm Wide |
| MM74HC4051N | N16E | 16-Lead Plastic Dual-In-Line Package (PDIP), JEDEC MS-0010.300" Wide |
| MM74HC4052M | M16A | 16-Lead Small Outline Integrated Circuit (SOIC), JEDEC MS-012, 0.150" Narrow |
| MM74HC4052WM | M16B | 16-Lead Small Outline Integrated Circuit (SOIC), JEDEC MS-013, 0.300" Wide |
| MM74HC4052SJ | M16D | 16-Lead Small Outline Package (SOP), EIAJ TYPE II, 5.3mm Wide |
| MM74HC4052MTC | MTC16 | 16-Lead Thin Shrink Small Outline Package (TSSOP), JEDEC MO-153, 4.4mm Wide |
| MM74HC4052N | N16E | 16-Lead Plastic Dual-In-Line Package (PDIP), JEDEC MS-0010.300" Wide |
| MM74HC4053M | M16A | 16-Lead Small Outline Integrated Circuit (SOIC), JEDEC MS-012, 0.150" Narrow |
| MM74HC4053WM | M16B | 16-Lead Small Outline Integrated Circuit (SOIC), JEDEC MS-013, 0.300" Wide |
| MM74HC4053SJ | M16D | 16-Lead Small Outline Package (SOP), EIAJ TYPE II, 5.3mm Wide |
| MM74HC4053MTC | MTC16 | 16-Lead Thin Shrink Small Outline Package (TSSOP), JEDEC MO-153, 4.4mm Wide |
| MM74HC4053N | N16E | 16-Lead Plastic Dual-In-Line Package (PDIP), JEDEC MS-0010.300" Wide |

Devices also available in Tape and Reel. Specify by appending the suffix letter "X" to the ordering code.

Connection Diagrams

Pin Assignments for DIP, SOIC, SOP and TSSOP



Truth Tables

MM744051

| Inh | Input | | | "ON" Channel |
|-----|-------|---|---|--------------|
| | C | B | A | |
| H | X | X | X | None |
| L | L | L | L | Y0 |
| L | L | L | H | Y1 |
| L | L | H | L | Y2 |
| L | L | H | H | Y3 |
| L | H | L | L | Y4 |
| L | H | L | H | Y5 |
| L | H | H | L | Y6 |
| L | H | H | H | Y7 |

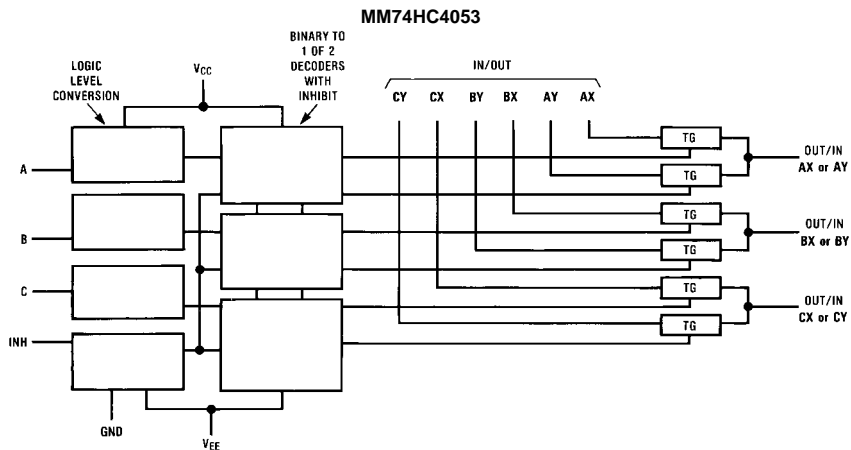
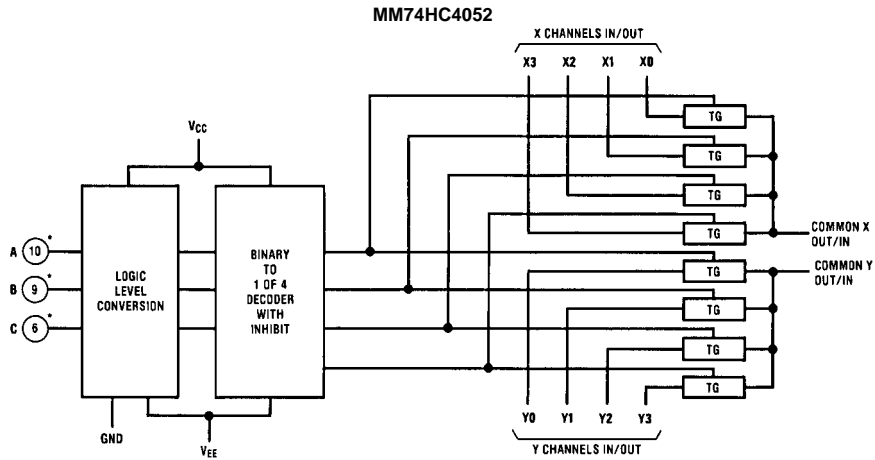
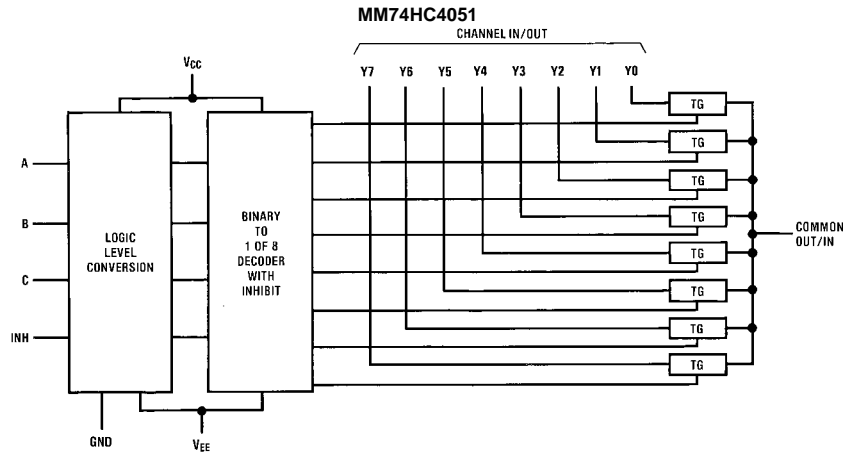
MM744052

| Inh | Inputs | | "ON" Channels | |
|-----|--------|---|---------------|------|
| | B | A | X | Y |
| H | X | X | None | None |
| L | L | L | 0X | 0Y |
| L | L | H | 1X | 1Y |
| L | H | L | 2X | 2Y |
| L | H | H | 3X | 3Y |

MM744053

| Inh | Input | | | "ON" Channels | | |
|-----|-------|---|---|---------------|------|------|
| | C | B | A | C | b | a |
| H | X | X | X | None | None | None |
| L | L | L | L | CX | BX | AX |
| L | L | L | H | CX | BX | AY |
| L | L | H | L | CX | BY | AX |
| L | L | H | H | CX | BY | AY |
| L | H | L | L | CY | BX | AX |
| L | H | L | H | CY | BX | AY |
| L | H | H | L | CY | BY | AX |
| L | H | H | H | CY | BY | AY |

Logic Diagrams



MM74HC4051 • MM74HC4052 • MM74HC4053

Absolute Maximum Ratings (Note 1)

(Note 2)

| | |
|-----------------------------------------------|---------------------------------|
| Supply Voltage (V_{CC}) | -0.5 to +7.5V |
| Supply Voltage (V_{EE}) | +0.5 to -7.5V |
| Control Input Voltage (V_{IN}) | -1.5 to V_{CC} +1.5V |
| Switch I/O Voltage (V_{IO}) | V_{EE} -0.5 to V_{CC} +0.5V |
| Clamp Diode Current (I_{IK}, I_{OK}) | ±20 mA |
| Output Current, per pin (I_{OUT}) | ±25 mA |
| V_{CC} or GND Current, per pin (I_{CC}) | ±50 mA |
| Storage Temperature Range (T_{STG}) | -65°C to +150°C |
| Power Dissipation (P_D) | |
| (Note 3) | 600 mW |
| S.O. Package only | 500 mW |
| Lead Temperature (T_L) | |
| (Soldering 10 seconds) | 260°C |

Recommended Operating Conditions

| | Min | Max | Units |
|--------------------------------------------------|-----|----------|-------|
| Supply Voltage (V_{CC}) | 2 | 6 | V |
| Supply Voltage (V_{EE}) | 0 | -6 | V |
| DC Input or Output Voltage (V_{IN}, V_{OUT}) | 0 | V_{CC} | V |
| Operating Temperature Range (T_A) | -40 | +85 | °C |
| Input Rise or Fall Times (t_r, t_f) | | | |
| $V_{CC} = 2.0V$ | | 1000 | ns |
| $V_{CC} = 4.5V$ | | 500 | ns |
| $V_{CC} = 6.0V$ | | 400 | ns |

Note 1: Absolute Maximum Ratings are those values beyond which damage to the device may occur.**Note 2:** Unless otherwise specified all voltages are referenced to ground.**Note 3:** Power Dissipation temperature derating — plastic "N" package: -12 mW/°C from 65°C to 85°C.**DC Electrical Characteristics** (Note 4)

| Symbol | Parameter | Conditions | V_{EE} | V_{CC} | $T_A = 25^\circ\text{C}$ | | $T_A = -40 \text{ to } 85^\circ\text{C}$ | $T_A = -55 \text{ to } 125^\circ\text{C}$ | Units |
|---------------------------------------------------------------------------------|-----------------------------------------------------|---------------------------------------------------------------------------------------------------------------|----------|----------|--------------------------|-------------------|------------------------------------------|-------------------------------------------|-------|
| | | | | | Typ | Guaranteed Limits | | | |
| V_{IH} | Minimum HIGH Level Input Voltage | | | 2.0V | 1.5 | 1.5 | 1.5 | V | |
| | | | | | 4.5V | 3.15 | 3.15 | 3.15 | V |
| | | | | | 6.0V | 4.2 | 4.2 | 4.2 | V |
| V_{IL} | Maximum LOW Level Input Voltage | | | 2.0V | 0.5 | 0.5 | 0.5 | V | |
| | | | | | 4.5V | 1.35 | 1.35 | 1.35 | V |
| | | | | | 6.0V | 1.8 | 1.8 | 1.8 | V |
| R_{ON} | Maximum "ON" Resistance (Note 5) | $V_{INH} = V_{IL}, I_S = 2.0 \text{ mA}$ $V_{IS} = V_{CC} \text{ to } V_{EE}$ (Figure 1) | GND | 4.5V | 40 | 160 | 200 | 240 | Ω |
| | | | -4.5V | 4.5V | 30 | 120 | 150 | 170 | Ω |
| | | | -6.0V | 6.0V | 20 | 100 | 125 | 140 | Ω |
| | | $V_{INH} = V_{IL}, I_S = 2.0 \text{ mA}$ $V_{IS} = V_{CC} \text{ or } V_{EE}$ (Figure 1) | GND | 2.0V | 100 | 230 | 280 | 320 | Ω |
| | | | GND | 4.5V | 40 | 110 | 140 | 170 | Ω |
| | | | -4.5V | 4.5V | 20 | 90 | 120 | 140 | Ω |
| R_{ON} | Maximum "ON" Resistance Matching | $V_{CTL} = V_{IL}$ $V_{IS} = V_{CC} \text{ to } GND$ | GND | 4.5V | 10 | 20 | 25 | 25 | Ω |
| | | | -4.5V | 4.5V | 5 | 10 | 15 | 15 | Ω |
| | | | -6.0V | 6.0V | 5 | 10 | 12 | 15 | Ω |
| I_{IN} | Maximum Control Input Current | $V_{IN} = V_{CC} \text{ or } GND$ $V_{CC} = 2-6V$ | | | | ±0.1 | ±1.0 | ±1.0 | μA |
| I_{CC} | Maximum Quiescent Supply Current | $V_{IN} = V_{CC} \text{ or } GND$ $I_{OUT} = 0 \mu A$ | GND | 6.0V | | 8 | 80 | 160 | μA |
| | | | -6.0V | 6.0V | | 16 | 160 | 320 | μA |
| I_{IZ} | Maximum Switch "OFF" Leakage Current (Switch Input) | $V_{OS} = V_{CC} \text{ or } V_{EE}$ $V_{IS} = V_{EE} \text{ or } V_{CC}$ $V_{INH} = V_{IH}$ (Figure 2) | GND | 6.0V | | ±60 | ±600 | ±600 | nA |
| | | | -6.0V | 6.0V | | ±100 | ±1000 | ±1000 | nA |
| I_{IZ} | Maximum Switch "ON" Leakage Current | HC4051 $V_{IS} = V_{CC} \text{ to } V_{EE}$ $V_{INH} = V_{IL}$ (Figure 3) | GND | 6.0V | | ±0.2 | ±2.0 | ±2.0 | μA |
| | | | -6.0V | 6.0V | | ±0.4 | ±4.0 | ±4.0 | μA |
| | | HC4052 $V_{IS} = V_{CC} \text{ to } V_{EE}$ $V_{INH} = V_{IL}$ (Figure 3) | GND | 6.0V | | ±0.1 | ±1.0 | ±1.0 | μA |
| | | | -6.0V | 6.0V | | ±0.2 | ±2.0 | ±2.0 | μA |
| HC4053 $V_{IS} = V_{CC} \text{ to } V_{EE}$ $V_{INH} = V_{IL}$ (Figure 3) | GND | 6.0V | | ±0.1 | ±1.0 | ±1.0 | μA | | |
| | -6.0V | 6.0V | | ±0.1 | ±1.0 | ±1.0 | μA | | |

| DC Electrical Characteristics (Continued) | | | | | | | | | | | |
|-----------------------------------------------------------------------------------------------------------------------------------------------------------------------------------------------------------------------------------------------------------------------------------------------------------------------------------------------------------------------------------------------------------------------------------------------------------------------------------------------------------------------------------------------------------------------------------------------------------------------------------------------------------------------------------------------------------------------------------|--------------------------------------------------------------------------------------|----------------------------------------------------------------------------|----------------------------------------------------------------------------|-----------------|-----------------|-----------------------|-------------------|------------------------------|-------------------------------|-------|----|
| Symbol | Parameter | | Conditions | V _{EE} | V _{CC} | T _A = 25°C | | T _A = -40 to 85°C | T _A = -55 to 125°C | Units | |
| | | | | | | Typ | Guaranteed Limits | | | | |
| I _{IZ} | Maximum Switch "OFF" Leakage Current (Common Pin) | HC4051 | V _{OS} = V _{CC} or V _{EE} | GND | 6.0V | | ±0.2 | ±2.0 | ±2.0 | µA | |
| | | | V _{IS} = V _{EE} or V _{CC} | -6.0V | 6.0V | | ±0.4 | ±4.0 | ±4.0 | µA | |
| | | | V _{INH} = V _{IH} | | | | | | | | |
| | | HC4052 | V _{OS} = V _{CC} or V _{EE} | GND | 6.0V | | ±0.1 | ±1.0 | ±1.0 | µA | |
| | | | V _{IS} = V _{EE} or V _{CC} | -6.0V | 6.0V | | ±0.2 | ±2.0 | ±2.0 | µA | |
| | | | V _{INH} = V _{IH} | | | | | | | | |
| | | HC4053 | V _{OS} = V _{CC} or V _{EE} | GND | 6.0V | | ±0.1 | ±1.0 | ±1.0 | µA | |
| | | | V _{IS} = V _{EE} or V _{CC} | -6.0V | 6.0V | | ±0.1 | ±1.0 | ±1.0 | µA | |
| | | | V _{INH} = V _{IH} | | | | | | | | |
| <p>Note 4: For a power supply of 5V ±10% the worst case on resistances (R_{ON}) occurs for HC at 4.5V. Thus the 4.5V values should be used when designing with this supply. Worst case V_{IH} and V_{IL} occur at V_{CC} = 5.5V and 4.5V respectively. (The V_{IH} value at 5.5V is 3.85V.) The worst case leakage current occur for CMOS at the higher voltage and so the 5.5V values should be used.</p> <p>Note 5: At supply voltages (V_{CC}-V_{EE}) approaching 2V the analog switch on resistance becomes extremely non-linear. Therefore it is recommended that these devices be used to transmit digital only when using these supply voltages.</p> | | | | | | | | | | | |
| AC Electrical Characteristics | | | | | | | | | | | |
| V _{CC} = 2.0V-6.0V, V _{EE} = 0V-6V, C _L = 50 pF (unless otherwise specified) | | | | | | | | | | | |
| Symbol | Parameter | | Conditions | V _{EE} | V _{CC} | T _A = 25°C | | T _A = -40 to 85°C | T _A = -55 to 125°C | Units | |
| | | | | | | Typ | Guaranteed Limits | | | | |
| t _{PHL} , t _{PLH} | Maximum Propagation Delay Switch In to Out | | | GND | 2.0V | 25 | 60 | 75 | 90 | ns | |
| | | | | GND | 4.5V | 5 | 12 | 15 | 18 | ns | |
| | | | | -4.5V | 4.5V | 4 | 8 | 12 | 14 | ns | |
| | | | | -6.0V | 6.0V | 3 | 7 | 11 | 13 | ns | |
| t _{PZL} , t _{PZH} | Maximum Switch Turn "ON" Delay | R _L = 1 kΩ | | GND | 2.0V | 92 | 355 | 435 | 515 | ns | |
| | | | | GND | 4.5V | 69 | 69 | 87 | 103 | ns | |
| | | | | -4.5V | 4.5V | 16 | 46 | 58 | 69 | ns | |
| | | | | -6.0V | 6.0V | 15 | 41 | 51 | 62 | ns | |
| t _{PHZ} , t _{PLZ} | Maximum Switch Turn "OFF" Delay | | | GND | 2.0V | 65 | 290 | 365 | 435 | ns | |
| | | | | GND | 4.5V | 28 | 58 | 73 | 87 | ns | |
| | | | | -4.5V | 4.5V | 18 | 37 | 46 | 56 | ns | |
| | | | | -6.0V | 6.0V | 16 | 32 | 41 | 48 | ns | |
| f _{MAX} | Minimum Switch Frequency Response 20 log (V _I /V _O) = 3 dB | | | GND | 4.5V | 30 | | | | MHz | |
| | | | | -4.5V | 4.5V | 35 | | | | MHz | |
| | Control to Switch Feedthrough Noise | R _L = 600Ω, f = 1 MHz, C _L = 50 pF | V _{IS} = 4 V _{PP} V _{IS} = 8 V _{PP} | 0V | 4.5V | 1080 | | | | mV | |
| | | | | -4.5V | 4.5V | 250 | | | | mV | |
| | Crosstalk between any Two Switches | R _L = 600Ω, f = 1 MHz | V _{IS} = 4 V _{PP} V _{IS} = 8 V _{PP} | 0V | 4.5 | -52 | | | | dB | |
| | | | | -4.5V | 4.5V | -50 | | | | dB | |
| | Switch OFF Signal Feedthrough Isolation | R _L = 600Ω, f = 1 MHz, V _{CTL} = V _{IL} | V _{IS} = 4 V _{PP} V _{IS} = 8 V _{PP} | 0V | 4.5V | -42 | | | | dB | |
| | | | | -4.5V | 4.5V | -44 | | | | dB | |
| THD | Sinewave Harmonic Distortion | R _L = 10 kΩ, C _L = 50 pF, f = 1 kHz | V _{IS} = 4 V _{PP} V _{IS} = 8 V _{PP} | 0V | 4.5V | 0.013 | | | | % | |
| | | | | -4.5V | 4.5V | 0.008 | | | | % | |
| C _{IN} | Maximum Control Input Capacitance | | | | | 5 | 10 | 10 | 10 | pF | |
| C _{IN} | Maximum Switch Input Capacitance | Input | | | | 15 | | | | pF | |
| | | | | | | 4051 Common | 90 | | | | pF |
| | | | | | | 4052 Common | 45 | | | | pF |
| | | 4053 Common | 30 | | | | | | pF | | |
| C _{IN} | Maximum Feedthrough Capacitance | | | | | 5 | | | | pF | |

AC Test Circuits and Switching Time Waveforms

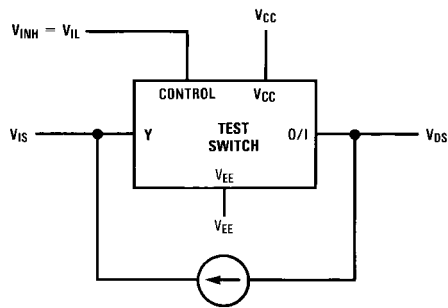


FIGURE 1. "ON" Resistance

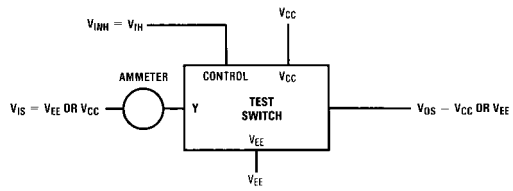


FIGURE 2. "OFF" Channel Leakage Current

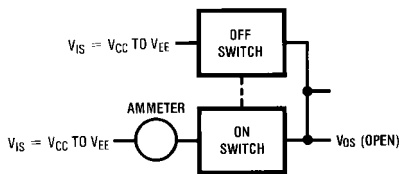


FIGURE 3. "ON" Channel Leakage Current

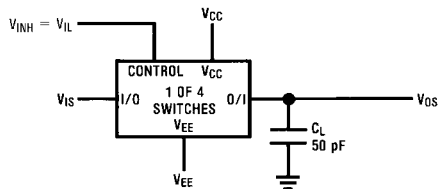


FIGURE 4. t_{PHL} , t_{PLH} Propagation Delay Time Signal Input to Signal Output

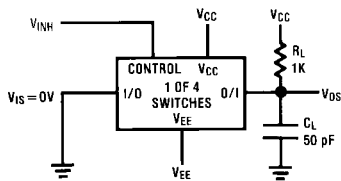
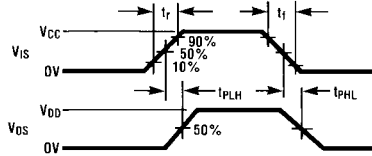


FIGURE 5. t_{PZL} , t_{PLZ} Propagation Delay Time Control to Signal Output

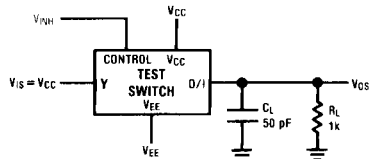
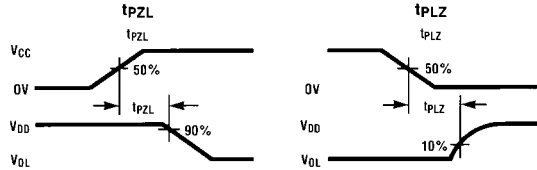
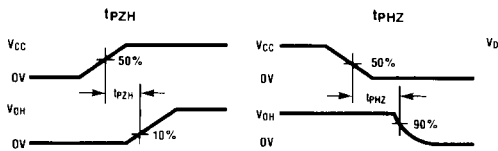


FIGURE 6. t_{PZH} , t_{PHZ} Propagation Delay Time Control to Signal Output



AC Test Circuits and Switching Time Waveforms (Continued)

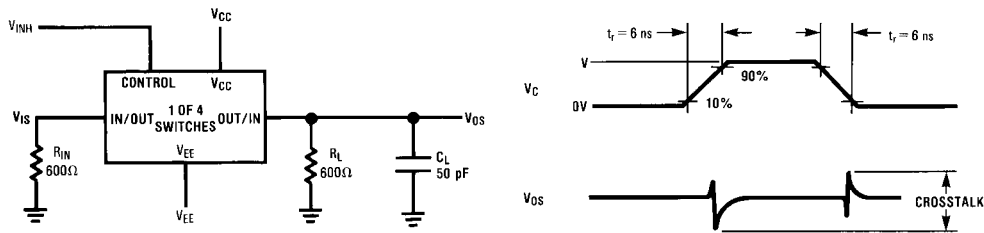


FIGURE 7. Crosstalk: Control Input to Signal Output

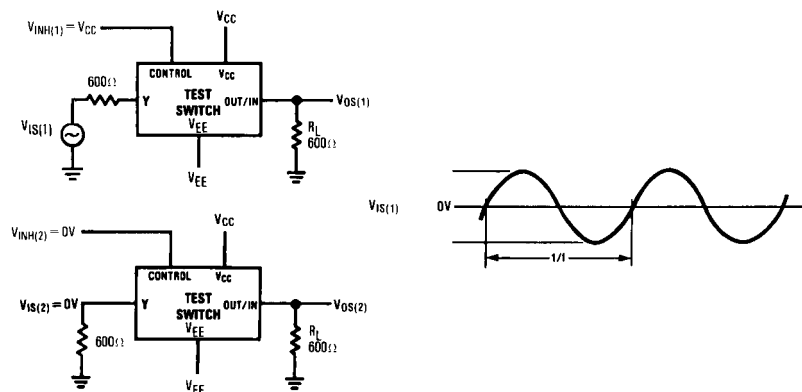
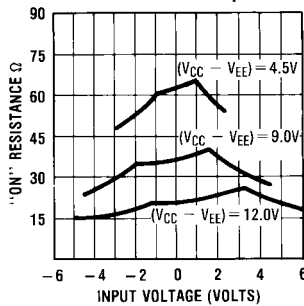


FIGURE 8. Crosstalk Between Any Two Switches

Typical Performance Characteristics

Typical "On" Resistance vs Input Voltage



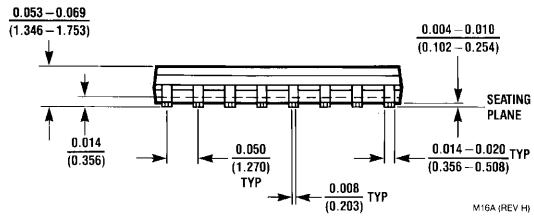
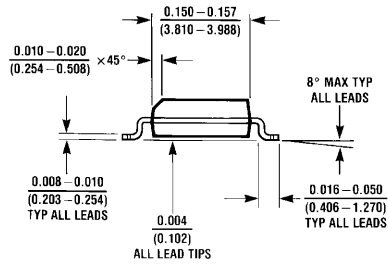
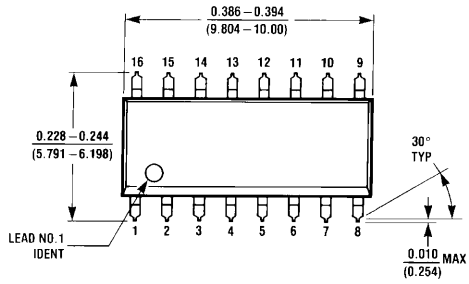
$V_{CC} = -V_{EE}$

Special Considerations

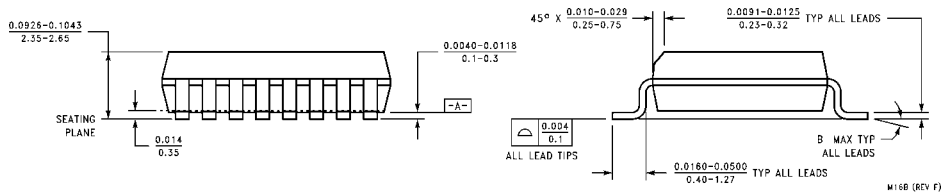
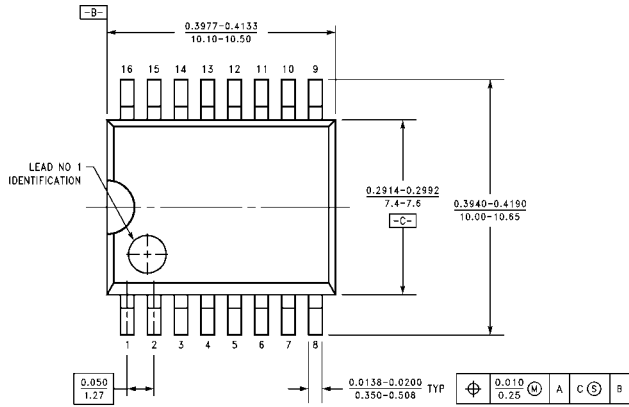
In certain applications the external load-resistor current may include both V_{CC} and signal line components. To

avoid drawing V_{CC} current when switch current flows into the analog switch pins, the voltage drop across the switch must not exceed 1.2V (calculated from the ON resistance).

Physical Dimensions inches (millimeters) unless otherwise noted

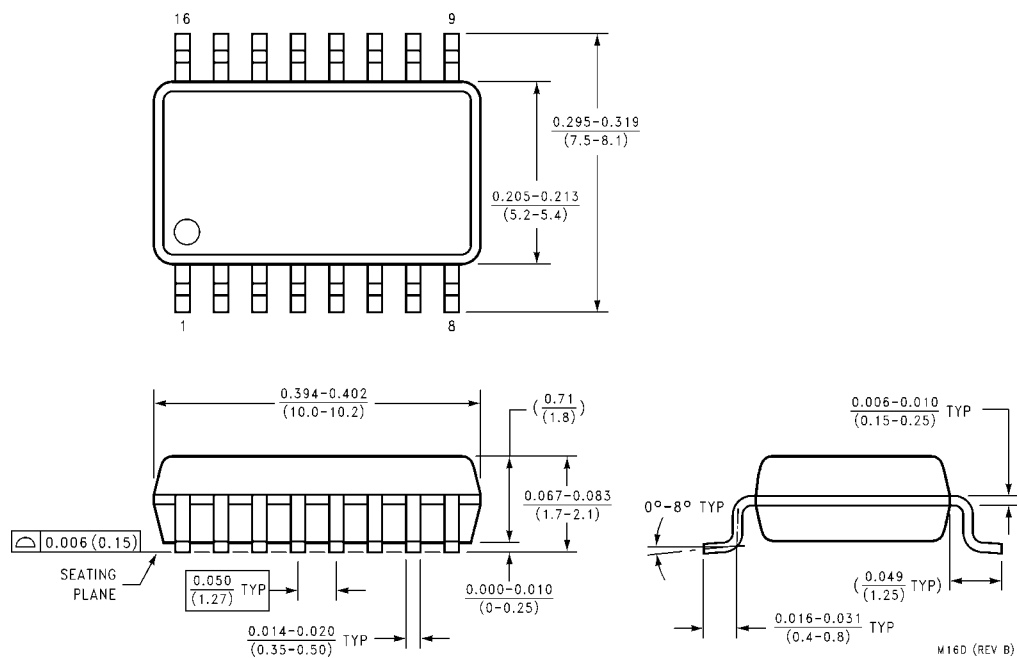


16-Lead Small Outline Integrated Circuit (SOIC), JEDEC MS-012, 0.150" Narrow Package Number M16A



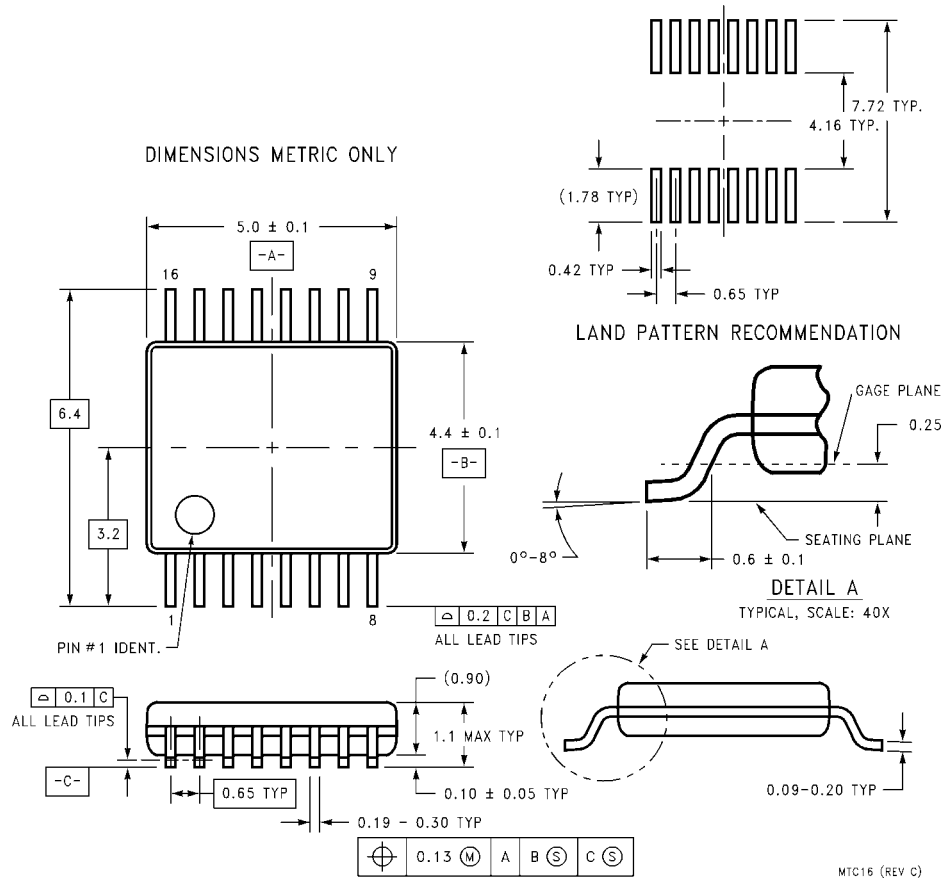
16-Lead Small Outline Integrated Circuit (SOIC), JEDEC MS-013, 0.300" Wide Package Number M16B

Physical Dimensions inches (millimeters) unless otherwise noted (Continued)



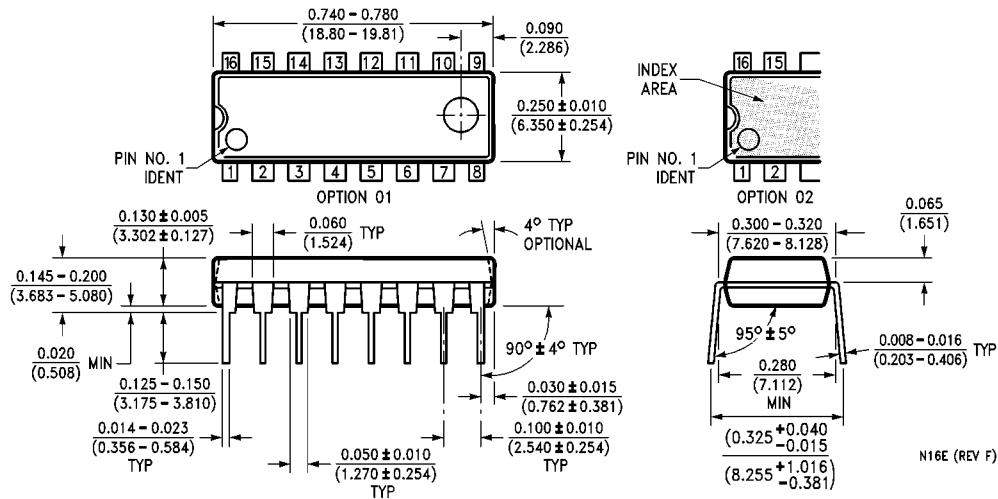
**16-Lead Small Outline Package (SOP), EIAJ TYPE II, 5.3mm Wide
Package Number M16D**

Physical Dimensions inches (millimeters) unless otherwise noted (Continued)



**16-Lead Thin Shrink Small Outline Package (TSSOP), JEDEC MO-153, 4.4mm Wide
Package Number MTC16**

Physical Dimensions inches (millimeters) unless otherwise noted (Continued)



16-Lead Plastic Dual-In-Line Package (PDIP), JEDEC MS-001, 0.300" Wide Package Number N16E

LIFE SUPPORT POLICY

FAIRCHILD'S PRODUCTS ARE NOT AUTHORIZED FOR USE AS CRITICAL COMPONENTS IN LIFE SUPPORT DEVICES OR SYSTEMS WITHOUT THE EXPRESS WRITTEN APPROVAL OF THE PRESIDENT OF FAIRCHILD SEMICONDUCTOR CORPORATION. As used herein:

1. Life support devices or systems are devices or systems which, (a) are intended for surgical implant into the body, or (b) support or sustain life, and (c) whose failure to perform when properly used in accordance with instructions for use provided in the labeling, can be reasonably expected to result in a significant injury to the user.
2. A critical component in any component of a life support device or system whose failure to perform can be reasonably expected to cause the failure of the life support device or system, or to affect its safety or effectiveness.

www.fairchildsemi.com

Fairchild does not assume any responsibility for use of any circuitry described, no circuit patent licenses are implied and Fairchild reserves the right at any time without notice to change said circuitry and specifications.

ON Semiconductor and  are trademarks of Semiconductor Components Industries, LLC dba ON Semiconductor or its subsidiaries in the United States and/or other countries. ON Semiconductor owns the rights to a number of patents, trademarks, copyrights, trade secrets, and other intellectual property. A listing of ON Semiconductor's product/patent coverage may be accessed at www.onsemi.com/site/pdf/Patent-Marking.pdf. ON Semiconductor reserves the right to make changes without further notice to any products herein. ON Semiconductor makes no warranty, representation or guarantee regarding the suitability of its products for any particular purpose, nor does ON Semiconductor assume any liability arising out of the application or use of any product or circuit, and specifically disclaims any and all liability, including without limitation special, consequential or incidental damages. Buyer is responsible for its products and applications using ON Semiconductor products, including compliance with all laws, regulations and safety requirements or standards, regardless of any support or applications information provided by ON Semiconductor. "Typical" parameters which may be provided in ON Semiconductor data sheets and/or specifications can and do vary in different applications and actual performance may vary over time. All operating parameters, including "Typicals" must be validated for each customer application by customer's technical experts. ON Semiconductor does not convey any license under its patent rights nor the rights of others. ON Semiconductor products are not designed, intended, or authorized for use as a critical component in life support systems or any FDA Class 3 medical devices or medical devices with a same or similar classification in a foreign jurisdiction or any devices intended for implantation in the human body. Should Buyer purchase or use ON Semiconductor products for any such unintended or unauthorized application, Buyer shall indemnify and hold ON Semiconductor and its officers, employees, subsidiaries, affiliates, and distributors harmless against all claims, costs, damages, and expenses, and reasonable attorney fees arising out of, directly or indirectly, any claim of personal injury or death associated with such unintended or unauthorized use, even if such claim alleges that ON Semiconductor was negligent regarding the design or manufacture of the part. ON Semiconductor is an Equal Opportunity/Affirmative Action Employer. This literature is subject to all applicable copyright laws and is not for resale in any manner.

PUBLICATION ORDERING INFORMATION

LITERATURE FULFILLMENT:

Literature Distribution Center for ON Semiconductor
19521 E. 32nd Pkwy, Aurora, Colorado 80011 USA
Phone: 303-675-2175 or 800-344-3860 Toll Free USA/Canada
Fax: 303-675-2176 or 800-344-3867 Toll Free USA/Canada
Email: orderlit@onsemi.com

N. American Technical Support: 800-282-9855 Toll Free
USA/Canada
Europe, Middle East and Africa Technical Support:
Phone: 421 33 790 2910
Japan Customer Focus Center
Phone: 81-3-5817-1050

ON Semiconductor Website: www.onsemi.com
Order Literature: <http://www.onsemi.com/orderlit>
For additional information, please contact your local
Sales Representative