

PCS2I2309NZ

3.3 V 1:9 Clock Buffer

Functional Description

PCS2I2309NZ is a low-cost high-speed buffer designed to accept one clock input and distribute up to nine clocks in mobile PC systems and desktop PC systems. The device operates at 3.3 V and outputs can run up to 133.33 MHz.

PCS2I2309NZ is designed for low EMI and power optimization and consumes less than 32 mA at 66.6 MHz, making it ideal for the low-power requirements of mobile systems. It is available in a 16-pin SOIC Package.

Features

- One-Input to Nine-Output Buffer/Driver
- Buffers all Frequencies from DC to 133.33 MHz
- Low Power Consumption for Mobile Applications
Less than 32 mA at 66.6 MHz with Unloaded Outputs
- Input-Output Delay: 6 nS (max)
- Output-Output Skew Less than 250 pS
- 16-pin SOIC Package
- Supply Voltage: 3.3 V \pm 0.3 V
- These Devices are Pb-Free and are RoHS Compliant

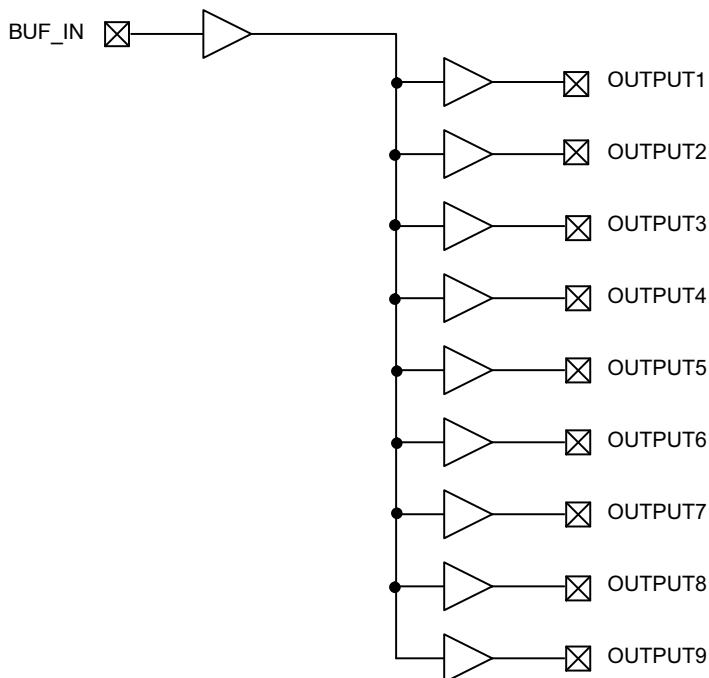
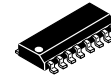


Figure 1. Block Diagram



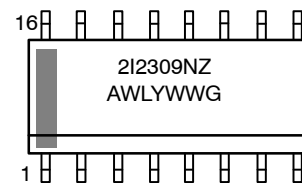
ON Semiconductor®

www.onsemi.com



SOIC-16
CASE 751B-05

MARKING DIAGRAM



2I2309NZ= Specific Device Code

A = Assembly Location

WL = Wafer Lot

Y = Year

WW = Work Week

G = Pb-Free Package

ORDERING INFORMATION

See detailed ordering and shipping information in the package dimensions section on page 5 of this data sheet.

PCS2I2309NZ

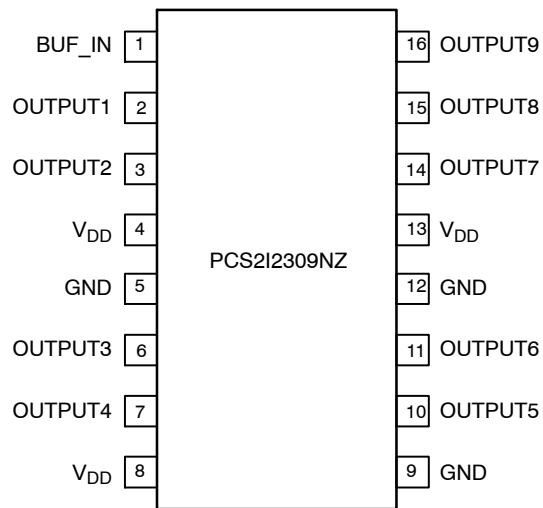


Figure 2. Pin Configuration

Table 1. PIN DESCRIPTION

| Pin # | Pin Name | Description |
|--------------------------------|-----------------|------------------------------|
| 4, 8, 13 | V _{DD} | 3.3 V Digital Supply Voltage |
| 5, 9, 12 | GND | Ground |
| 1 | BUF_IN | Input Clock |
| 2, 3, 6, 7, 10, 11, 14, 15, 16 | OUTPUT [1:9] | Outputs |

Table 2. ABSOLUTE MAXIMUM RATINGS

| Parameter | Min | Max | Unit |
|---|------|-----------------------|------|
| Supply Voltage to Ground Potential | -0.5 | +4.6 | V |
| DC Input Voltage (Except REF) | -0.5 | V _{DD} + 0.5 | V |
| DC Input Voltage (REF) | -0.5 | 7 | V |
| Storage temperature | -65 | +150 | °C |
| Max. Soldering Temperature (10 sec) | | 260 | °C |
| Junction Temperature | | 150 | °C |
| Static Discharge Voltage (As per JEDEC STD22- A114-B) | | 2000 | V |

Stresses exceeding those listed in the Maximum Ratings table may damage the device. If any of these limits are exceeded, device functionality should not be assumed, damage may occur and reliability may be affected.

Table 3. OPERATING CONDITIONS

| Parameter | Description | Min | Max | Unit |
|----------------------|---|------|--------|------|
| V _{DD} | Supply Voltage | 3.0 | 3.6 | V |
| T _A | Operating Temperature | -40 | +85 | °C |
| C _L | Load Capacitance, F _{out} < 100 MHz | | 30 | pF |
| | Load Capacitance, 100 MHz < F _{out} < 133.33 MHz | | 15 | pF |
| C _{IN} | Input Capacitance | | 7 | pF |
| BUF_IN, OUTPUT [1:9] | Operating Frequency | DC | 133.33 | MHz |
| t _{PU} | Power-up time for all V _{DD} 's to reach minimum specified voltage (power ramps must be monotonic) | 0.05 | 50 | mS |

PCS2I2309NZ

Table 4. ELECTRICAL CHARACTERISTICS

| Symbol | Parameter | Test Conditions | Min | Max | Units |
|----------|------------------------------|-------------------------|-------------------------------|-----|---------------|
| V_{IL} | Input LOW Voltage (Note 1) | | | 0.8 | V |
| V_{IH} | Input HIGH Voltage (Note 1) | | 2.2 | | V |
| I_{IL} | Input LOW Current | $V_{IN} = 0\text{ V}$ | | 50 | μA |
| I_{IH} | Input HIGH Current | $V_{IN} = V_{DD}$ | | 100 | μA |
| V_{OL} | Output LOW Voltage (Note 2) | $I_{OL} = 8\text{ mA}$ | | 0.4 | V |
| V_{OH} | Output HIGH Voltage (Note 2) | $I_{OH} = -8\text{ mA}$ | 2.4 | | V |
| I_{DD} | Supply Current | 0°C to +70°C | Unloaded outputs at 66.66 MHz | 30 | mA |
| | | -40°C to +85°C | | 32 | |

Product parametric performance is indicated in the Electrical Characteristics for the listed test conditions, unless otherwise noted. Product performance may not be indicated by the Electrical Characteristics if operated under different conditions.

1. BUF_IN input has a threshold voltage of $V_{DD}/2$

2. Parameter is guaranteed by design and characterization. It is not tested in production.

Table 5. SWITCHING CHARACTERISTICS (Note 3)

| Symbol | Parameter | Test Conditions | Min | Typ | Max | Units |
|--------|--|---|-----|-----|-----------|-------|
| t_3 | Rise Time (Note 4) | Measured between 0.8 V and 2.0 V | | 1.5 | 2 | nS |
| t_4 | Fall Time (Note 4) | Measured between 2.0 V and 0.8 V | | 1.5 | 2 | nS |
| t_D | Duty Cycle (Note 4) = $t_2 \div t_1$ | Measured at 1.4 V (For an Input Clock Duty Cycle 50%) | 45 | 50 | 55 | % |
| t_5 | Output to Output Skew (Note 4) | All outputs equally loaded | | | ± 250 | pS |
| t_6 | Propagation Delay, BUF_IN Rising Edge to OUTPUT Rising Edge (Note 4) | Measured at $V_{DD}/2$ | | 4 | 6 | nS |

3. All parameters specified with loaded outputs.

4. Parameter is guaranteed by design and characterization. It is not tested in production.

PCS2I2309NZ

Switching Waveforms

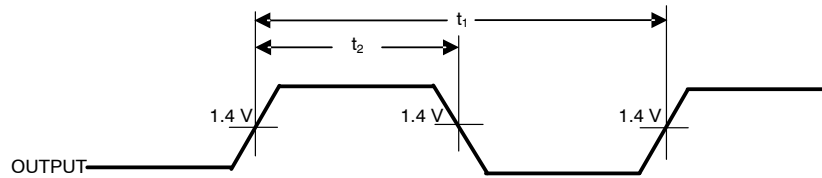


Figure 3. Duty Cycle Timing

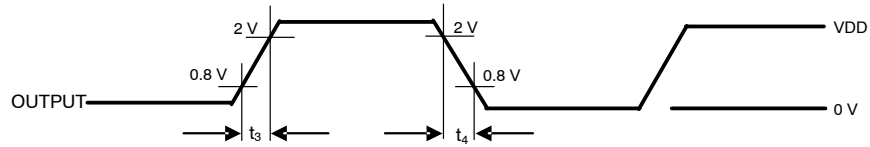


Figure 4. All Outputs Rise/Fall Time

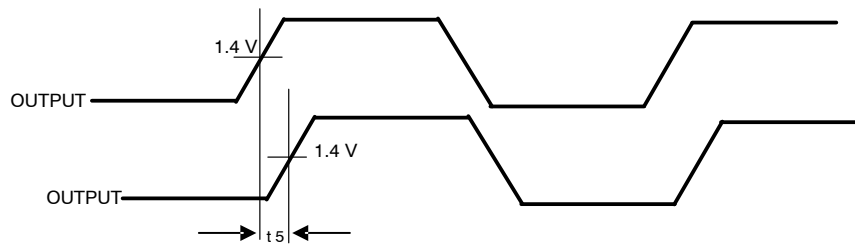


Figure 5. Output-Output Skew

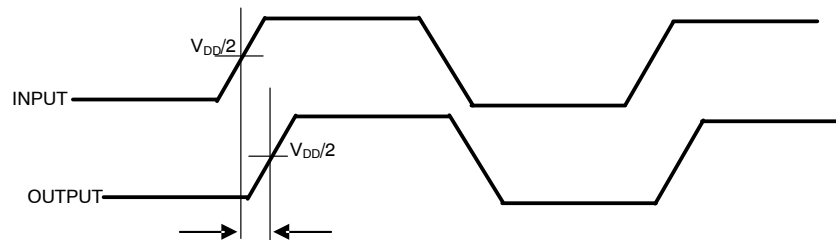


Figure 6. Input-Output Propagation Delay

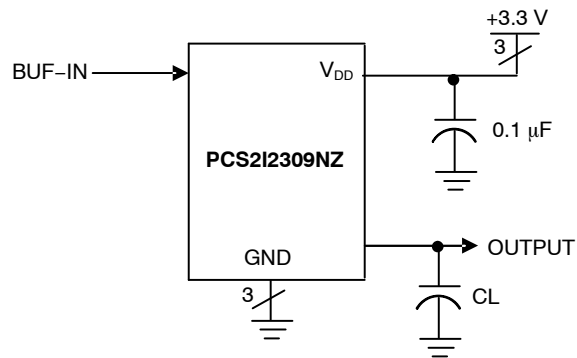


Figure 7. Test Circuit

PCS2I2309NZ

Table 6. ORDERING INFORMATION

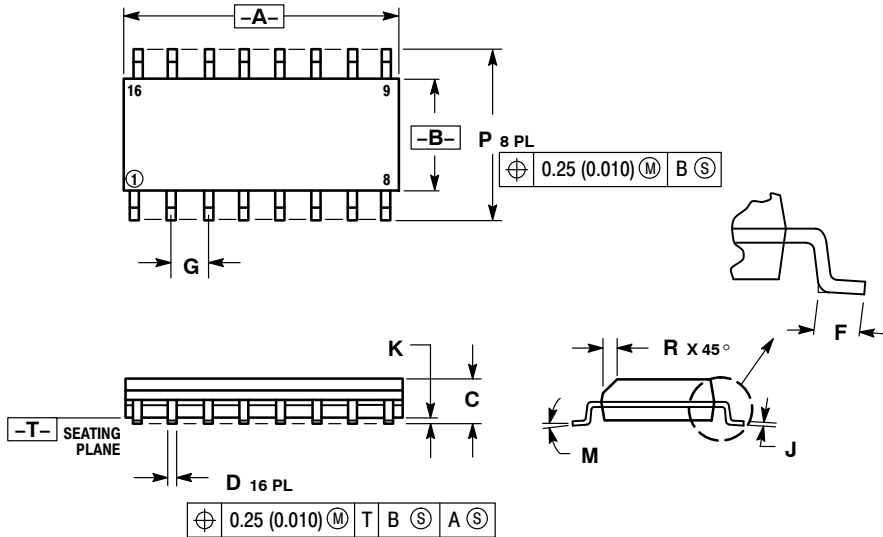
| Part Number | Marking | Package Type | Temperature |
|------------------|----------|---|----------------|
| P2I2309NZG-16-ST | 2I2309NZ | 16-pin 150-mil SOIC, Green | -40°C to +85°C |
| PCS2I2309NZG16SR | 2I2309NZ | 16-pin 150-mil SOIC, Tape and Reel, Green | -40°C to +85°C |

NOTE: A "G" placed at the end of last row of marking or just below the last row toward the center of package indicates Pb-free for 16 pin SOIC packages.

PCS2I2309NZ

PACKAGE DIMENSIONS

SOIC-16
CASE 751B-05
ISSUE K

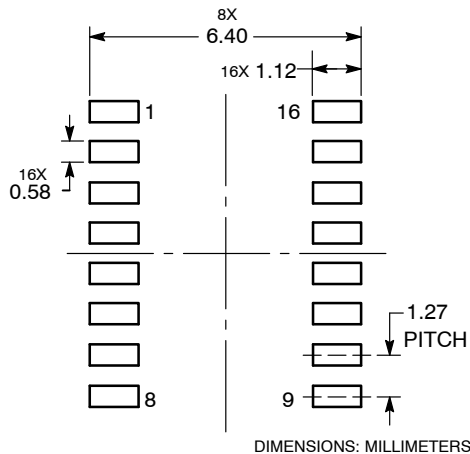


NOTES:

1. DIMENSIONING AND TOLERANCING PER ANSI Y14.5M, 1982.
2. CONTROLLING DIMENSION: MILLIMETER.
3. DIMENSIONS A AND B DO NOT INCLUDE MOLD PROTRUSION.
4. MAXIMUM MOLD PROTRUSION 0.15 (0.006) PER SIDE.
5. DIMENSION D DOES NOT INCLUDE DAMBAR PROTRUSION. ALLOWABLE DAMBAR PROTRUSION SHALL BE 0.127 (0.005) TOTAL IN EXCESS OF THE D DIMENSION AT MAXIMUM MATERIAL CONDITION.

| DIM | MILLIMETERS | | INCHES | |
|-----|-------------|-------|-----------|-------|
| | MIN | MAX | MIN | MAX |
| A | 9.80 | 10.00 | 0.386 | 0.393 |
| B | 3.80 | 4.00 | 0.150 | 0.157 |
| C | 1.35 | 1.75 | 0.054 | 0.068 |
| D | 0.35 | 0.49 | 0.014 | 0.019 |
| F | 0.40 | 1.25 | 0.016 | 0.049 |
| G | 1.27 BSC | | 0.050 BSC | |
| J | 0.19 | 0.25 | 0.008 | 0.009 |
| K | 0.10 | 0.25 | 0.004 | 0.009 |
| M | 0° | 7° | 0° | 7° |
| P | 5.80 | 6.20 | 0.229 | 0.244 |
| R | 0.25 | 0.50 | 0.010 | 0.019 |

SOLDERING FOOTPRINT



ON Semiconductor and the are registered trademarks of Semiconductor Components Industries, LLC (SCILLC) or its subsidiaries in the United States and/or other countries. SCILLC owns the rights to a number of patents, trademarks, copyrights, trade secrets, and other intellectual property. A listing of SCILLC's product/patent coverage may be accessed at www.onsemi.com/site/pdf/Patent-Marking.pdf. SCILLC reserves the right to make changes without further notice to any products herein. SCILLC makes no warranty, representation or guarantee regarding the suitability of its products for any particular purpose, nor does SCILLC assume any liability arising out of the application or use of any product or circuit, and specifically disclaims any and all liability, including without limitation special, consequential or incidental damages. "Typical" parameters which may be provided in SCILLC data sheets and/or specifications can and do vary in different applications and actual performance may vary over time. All operating parameters, including "Typicals" must be validated for each customer application by customer's technical experts. SCILLC does not convey any license under its patent rights nor the rights of others. SCILLC products are not designed, intended, or authorized for use as components in systems intended for surgical implant into the body, or other applications intended to support or sustain life, or for any other application in which the failure of the SCILLC product could create a situation where personal injury or death may occur. Should Buyer purchase or use SCILLC products for any such unintended or unauthorized application, Buyer shall indemnify and hold SCILLC and its officers, employees, subsidiaries, affiliates, and distributors harmless against all claims, costs, damages, and expenses, and reasonable attorney fees arising out of, directly or indirectly, any claim of personal injury or death associated with such unintended or unauthorized use, even if such claim alleges that SCILLC was negligent regarding the design or manufacture of the part. SCILLC is an Equal Opportunity/Affirmative Action Employer. This literature is subject to all applicable copyright laws and is not for resale in any manner.

PUBLICATION ORDERING INFORMATION

LITERATURE FULFILLMENT:
Literature Distribution Center for ON Semiconductor
P.O. Box 5163, Denver, Colorado 80217 USA
Phone: 303-675-2175 or 800-344-3860 Toll Free USA/Canada
Fax: 303-675-2176 or 800-344-3867 Toll Free USA/Canada
Email: orderlit@onsemi.com

N. American Technical Support: 800-282-9855 Toll Free
USA/Canada
Europe, Middle East and Africa Technical Support:
Phone: 421 33 790 2910
Japan Customer Focus Center
Phone: 81-3-5817-1050

ON Semiconductor Website: www.onsemi.com
Order Literature: <http://www.onsemi.com/orderlit>
For additional information, please contact your local Sales Representative

PCS2I2309NZ/D