

## Quick Start Guide

# MIMXRT685-EVK

Evaluation kit for the i.MX RT600 family of crossover MCUs

300 MHz Arm® Cortex®-M33 MCU

600 MHz Tensilica® Hi-Fi 4 DSP

4.5 MB SRAM, Dedicated 128KB/96KB DSP TCM/Cache

High-Speed Octal/QuadSPI for Execute-in-Place



### GET TO KNOW THE MIMXRT685-EVK BOARD

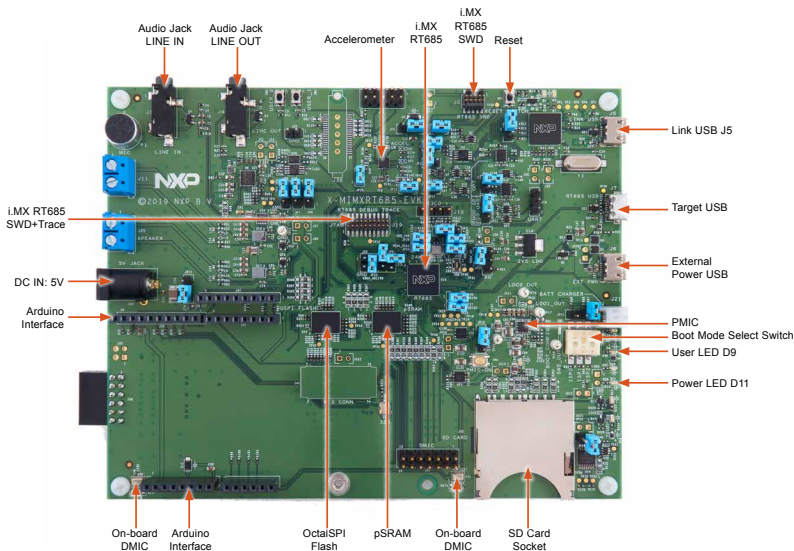
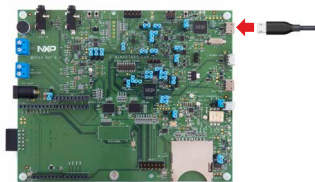


Figure 1: MIMXRT685-EVK Callouts

## HOW TO GET STARTED

1. Connect the MIMXRT685-EVK board to a PC using the included micro USB cable to Link USB J5. The power LED, D11, will illuminate.
2. The MIMXRT685-EVK board comes pre-programmed with a demo. To verify the demo is running, LED D9 will blink on/off. The demo exercises the Cortex-M33 and DSP.
3. For more information on running the demo, access to additional out of the box demos and to download software and tools, please visit: [www.nxp.com/MIMXRT685-EVK/startnow](http://www.nxp.com/MIMXRT685-EVK/startnow)



## SUPPORT

Visit [www.nxp.com/support](http://www.nxp.com/support) for a list of phone numbers within your region.

## WARRANTY

Visit [www.nxp.com/warranty](http://www.nxp.com/warranty) for complete warranty information.



## Get Started

Download installation software and documentation at [www.nxp.com/MIMXRT685-EVK](http://www.nxp.com/MIMXRT685-EVK).

[www.nxp.com](http://www.nxp.com)

NXP and the NXP logo are trademarks of NXP B.V. All other product or service names are the property of their respective owners. © 2020 NXP B.V.

Document Number: IMXRT685QSG REV 2  
Agile Number: 926-78989 Rev C