

74HCT221

Dual non-retriggerable monostable multivibrator with reset

Rev. 3 — 26 October 2016

Product data sheet

1. General description

The 74HCT221 is a dual non-retriggerable monostable multivibrator. Each multivibrator features edge-triggered inputs (\overline{nA} and nB), either of which can be used as an enable input. Pulse triggering occurs at a particular voltage level and is not directly related to the transition time of the input pulse. Schmitt-trigger input circuitry for the nB inputs allow jitter-free triggering from inputs with slow transition rates, providing the circuit with excellent noise immunity. Once triggered, the outputs (nQ , \overline{nQ}) are independent of further transitions of \overline{nA} and nB inputs. The output pulse width is defined by the following relationship: $t_W = 0.7 \times C_{EXT} \times R_{EXT}$. The output pulses can be terminated by the active LOW reset inputs (\overline{nRD}). Pulse width stability is achieved through internal compensation and is virtually independent of V_{CC} and temperature. In most applications pulse stability will only be limited by the accuracy of the external timing components. Inputs include clamp diodes. This enables the use of current limiting resistors to interface inputs to voltages in excess of V_{CC} .

2. Features and benefits

- Input levels:
 - ◆ For 74HCT221: TTL level
- Pulse width variance is typically less than $\pm 5\%$
- Direct reset terminates output pulse
- Schmitt-trigger action on nB inputs
- ESD protection:
 - ◆ HBM JESD22-A114F exceeds 2000 V
 - ◆ MM JESD22-A115-A exceeds 200 V
- Specified from $-40\text{ }^\circ\text{C}$ to $+85\text{ }^\circ\text{C}$ and from $-40\text{ }^\circ\text{C}$ to $+125\text{ }^\circ\text{C}$

3. Ordering information

Table 1. Ordering information

Type number	Package			
	Temperature range	Name	Description	Version
74HCT221D	$-40\text{ }^\circ\text{C}$ to $+125\text{ }^\circ\text{C}$	SO16	plastic small outline package; 16 leads; body width 3.9 mm	SOT109-1

nexperia

4. Functional diagram

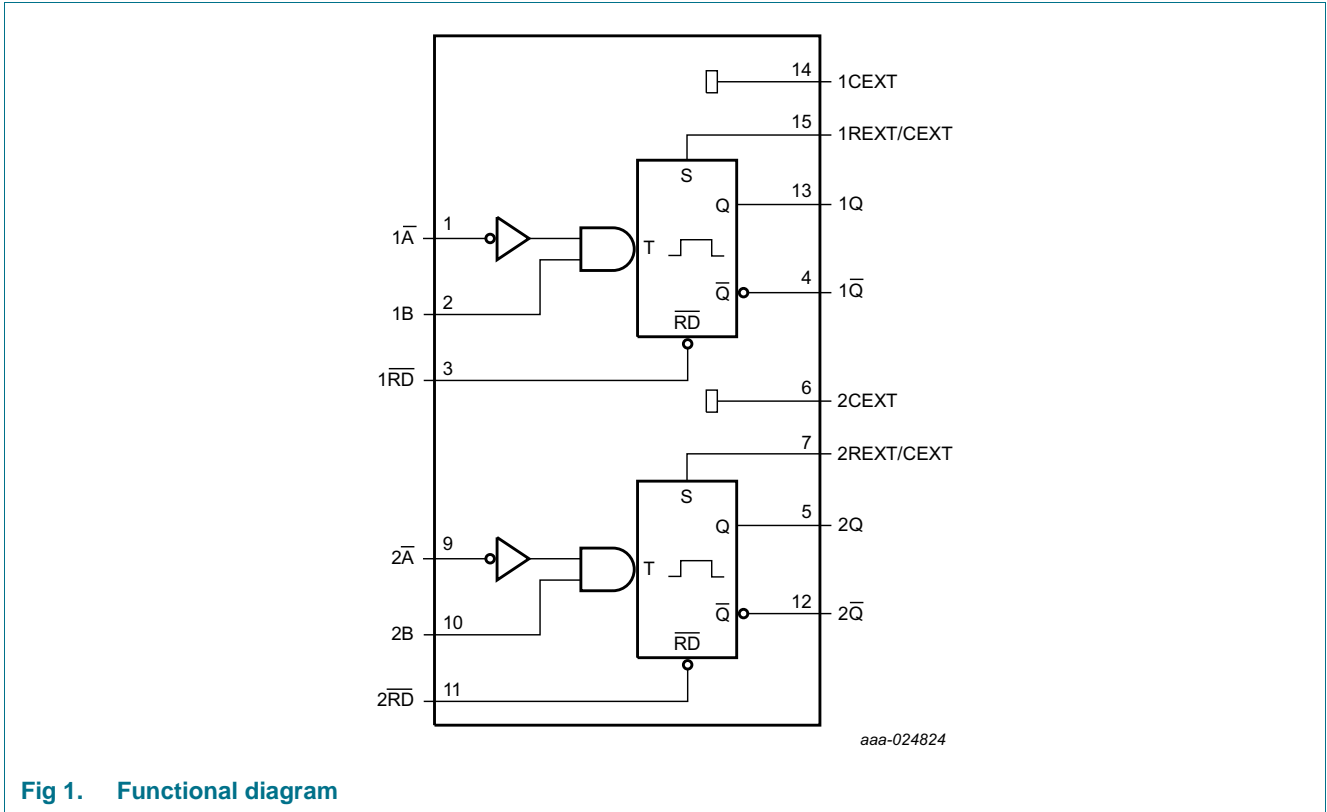


Fig 1. Functional diagram

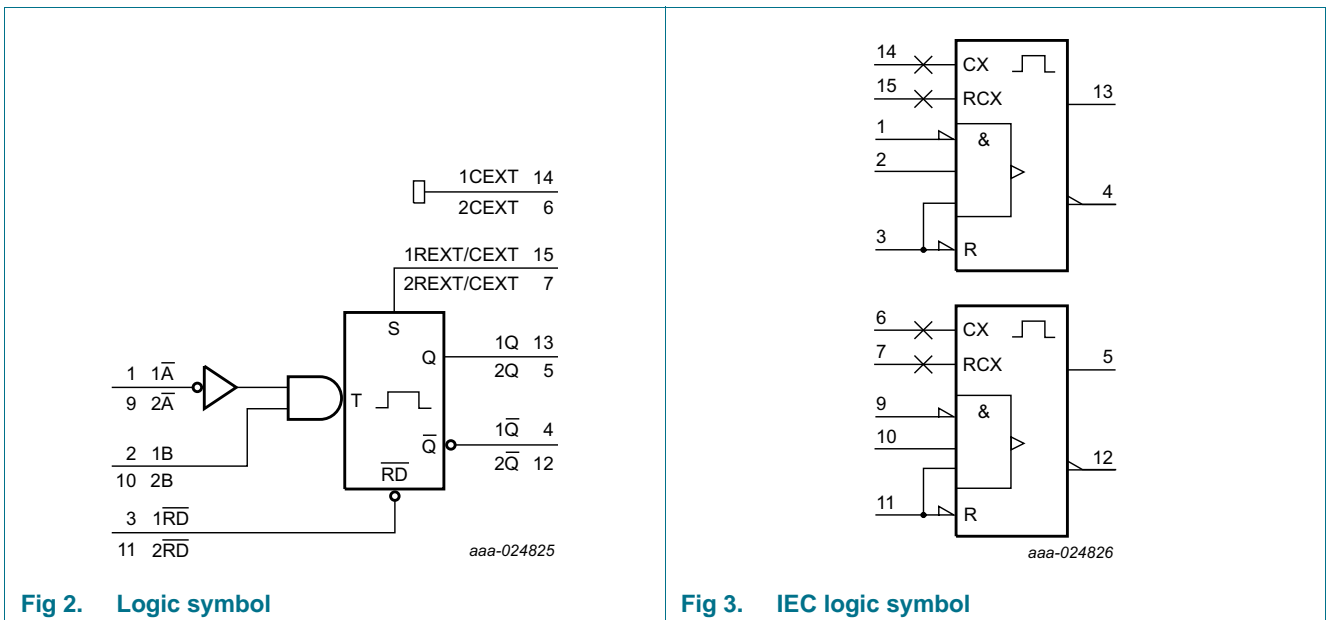


Fig 2. Logic symbol

Fig 3. IEC logic symbol

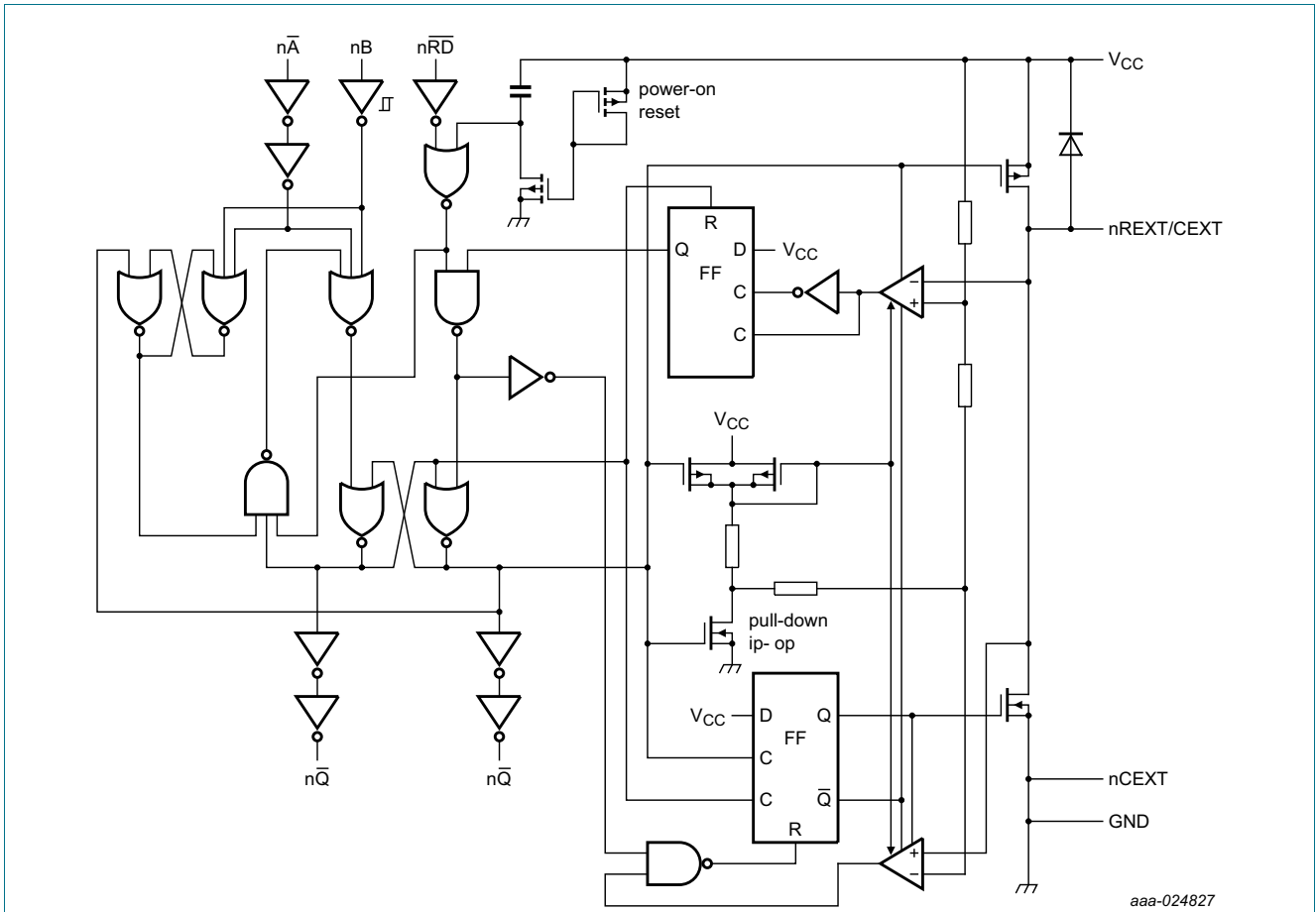
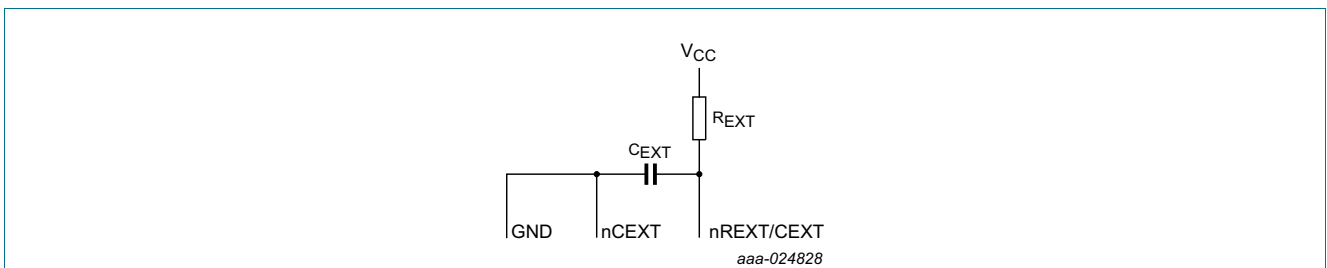


Fig 4. Logic diagram



It is recommended to connect pins nCEXT externally to the GND pin.

Fig 5. Timing component connections

5. Pinning information

5.1 Pinning

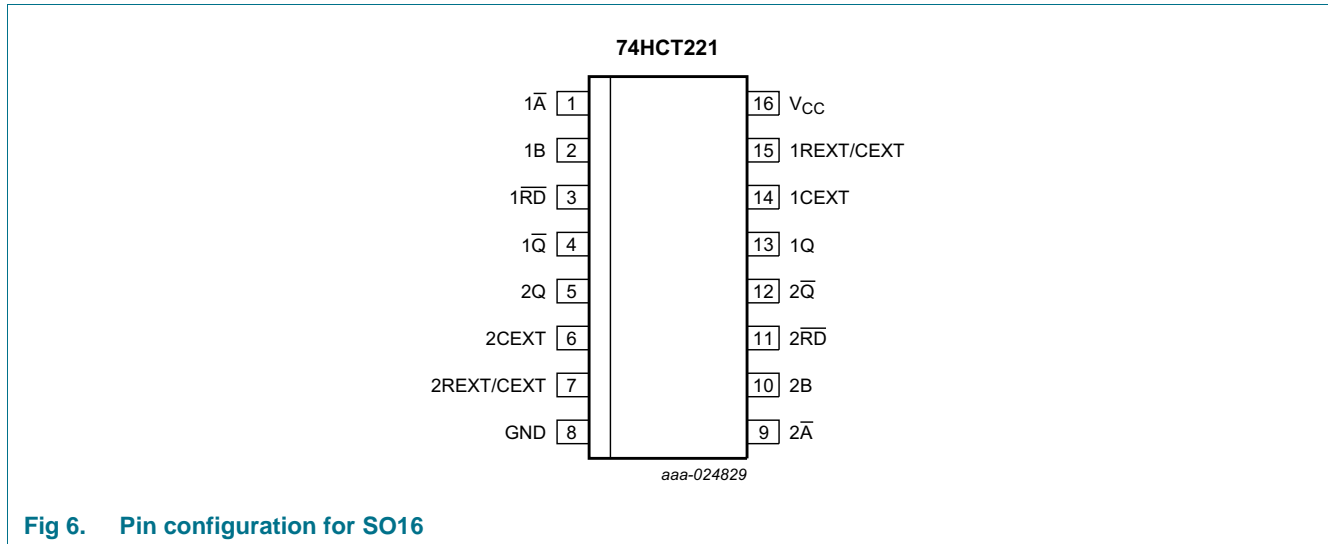


Fig 6. Pin configuration for SO16





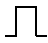

5.2 Pin description

Table 2. Pin description



Symbol	Pin	Description
1Ā	1	negative-edge triggered input 1
1B	2	positive-edge triggered input 1
1RD̄	3	direct reset LOW and positive-edge triggered input 1
1Q̄	4	active LOW output 1
2Q	5	active HIGH output 2
2CEXT	6	external capacitor connection 2
2REXT/CEXT	7	external resistor and capacitor connection 2
GND	8	ground (0 V)
2Ā	9	negative-edge triggered input 2
2B	10	positive-edge triggered input 2
2RD̄	11	direct reset LOW and positive-edge triggered input 2
2Q̄	12	active LOW output 2
1Q	13	active HIGH output 1
1CEXT	14	external capacitor connection 1
1REXT/CEXT	15	external resistor and capacitor connection 1
V _{CC}	16	supply voltage

6. Functional description

Table 3. Function table^[1]

Input			Output	
nRD	nA	nB	nQ	nQ
L	X	X	L	H
X	H	X	L ^[2]	H ^[2]
X	X	L	L ^[2]	H ^[2]
H	L	↑		
H	↓	H		
↑	L	H	 ^[3]	 ^[3]

[1] H = HIGH voltage level; L = LOW voltage level; X = don't care; ↑ = LOW-to-HIGH transition; ↓ = HIGH-to-LOW transition;

 = one HIGH level output pulse;  = one LOW level output pulse.

[2] If the monostable was triggered before this condition was established, the pulse will continue as programmed.

[3] For this combination the reset input must be LOW and the following sequence must be used:

pin nA must be set HIGH or pin nB set LOW; then pin nA must be LOW and pin nB set HIGH. Now the reset input goes from LOW-to-HIGH and the device will be triggered.

7. Limiting values

Table 4. Limiting values

In accordance with the Absolute Maximum Rating System (IEC 60134). Voltages are referenced to GND (ground = 0 V).

Symbol	Parameter	Conditions	Min	Max	Unit
V _{CC}	supply voltage		-0.5	+7	V
I _{IK}	input clamping current	V _I < -0.5 V or V _I > V _{CC} + 0.5 V	-	±20	mA
I _{OK}	output clamping current	V _O < -0.5 V or V _O > V _{CC} + 0.5 V	-	±20	mA
I _O	output current	except for pins nREXT/CEXT; V _O = -0.5 V to (V _{CC} + 0.5 V)	-	±25	mA
I _{CC}	supply current		-	50	mA
I _{GND}	ground current		-50	-	mA
T _{stg}	storage temperature		-65	+150	°C
P _{tot}	total power dissipation	SO16 package ^[1]	-	500	mW

[1] For SO16 package: P_{tot} derates linearly with 8 mW/K above 70 °C.

8. Recommended operating conditions

Table 5. Recommended operating conditions

Symbol	Parameter	Conditions	Min	Typ	Max	Unit
V_{CC}	supply voltage		4.5	5.0	5.5	V
V_I	input voltage		0	-	V_{CC}	V
V_O	output voltage		0	-	V_{CC}	V
$\Delta t/\Delta V$	input transition rise and fall rate	nA, \overline{nRD} input				
		$V_{CC} = 4.5\text{ V}$	-	1.67	139	ns/V
T_{amb}	ambient temperature		-40	+25	+125	°C

9. Static characteristics

Table 6. Static characteristics

At recommended operating conditions; voltages are referenced to GND (ground = 0 V).

Symbol	Parameter	Conditions	25 °C			-40 °C to +85 °C		-40 °C to +125 °C		Unit
			Min	Typ	Max	Min	Max	Min	Max	
V_{IH}	HIGH-level input voltage	$V_{CC} = 4.5\text{ V to }5.5\text{ V}$	2.0	1.6	-	2.0	-	2.0	-	V
V_{IL}	LOW-level input voltage	$V_{CC} = 4.5\text{ V to }5.5\text{ V}$	-	1.2	0.8	-	0.8	-	0.8	V
V_{OH}	HIGH-level output voltage	$V_I = V_{IH}$ or V_{IL} ; $V_{CC} = 4.5\text{ V}$								
		$I_O = -20\ \mu\text{A}$	4.4	4.5	-	4.4	-	4.4	-	V
		$I_O = -4\text{ mA}$	3.98	4.32	-	3.84	-	3.7	-	V
V_{OL}	LOW-level output voltage	$V_I = V_{IH}$ or V_{IL} ; $V_{CC} = 4.5\text{ V}$								
		$I_O = 20\ \mu\text{A}$	-	0	0.1	-	0.1	-	0.1	V
		$I_O = 4.0\text{ mA}$	-	0.15	0.26	-	0.33	-	0.4	V
I_I	input leakage current	$V_I = V_{CC}$ or GND; $V_{CC} = 5.5\text{ V}$	-	-	± 0.1	-	± 1.0	-	± 1.0	μA
I_{CC}	supply current	$V_I = V_{CC}$ or GND; $I_O = 0\text{ A}$; $V_{CC} = 5.5\text{ V}$	-	-	8.0	-	80	-	160	μA
ΔI_{CC}	additional supply current	per input pin; $I_O = 0\text{ A}$; $V_I = V_{CC} - 2.1\text{ V}$; other inputs at V_{CC} or GND; $V_{CC} = 4.5\text{ V to }5.5\text{ V}$								
		pin nB	-	30	108	-	135	-	147	μA
		pins \overline{nA} , \overline{nRD}	-	50	180	-	225	-	245	μA
C_I	input capacitance		-	3.5	-	-	-	-	-	pF

10. Dynamic characteristics

Table 7. Dynamic characteristics

Voltages are referenced to GND (ground = 0 V); $C_L = 50$ pF unless otherwise specified; for test circuit see [Figure 15](#).

Symbol	Parameter	Conditions	25 °C			-40 °C to +85 °C		-40 °C to +125 °C		Unit
			Min	Typ	Max	Min	Max	Min	Max	
t _{PLH}	LOW to HIGH propagation delay	C _{EXT} = 0 pF; R _{EXT} = 5 kΩ; see Figure 7 and Figure 8								
		n \bar{A} , n \bar{RD} to nQ (trigger)								
		V _{CC} = 4.5 V	-	30	50	-	63	-	75	ns
		V _{CC} = 5 V; C _L = 15 pF	-	36	-	-	-	-	-	ns
		nB to nQ (trigger)								
		V _{CC} = 4.5 V	-	24	42	-	53	-	63	ns
		V _{CC} = 5 V; C _L = 15 pF	-	36	-	-	-	-	-	ns
		n \bar{RD} to n \bar{Q} (reset)								
V _{CC} = 4.5 V	-	31	51	-	64	-	77	ns		
V _{CC} = 5 V; C _L = 15 pF	-	36	-	-	-	-	-	ns		
t _{PHL}	HIGH to LOW propagation delay	C _{EXT} = 0 pF; R _{EXT} = 5 kΩ; see Figure 7 and Figure 8								
		n \bar{A} to n \bar{Q} (trigger)								
		V _{CC} = 4.5 V	-	26	44	-	55	-	75	ns
		V _{CC} = 5 V; C _L = 15 pF	-	32	-	-	-	-	-	ns
		nB to n \bar{Q} (trigger)								
		V _{CC} = 4.5 V	-	21	35	-	44	-	53	ns
		V _{CC} = 5 V; C _L = 15 pF	-	32	-	-	-	-	-	ns
		n \bar{RD} to n \bar{Q} (trigger)								
		V _{CC} = 4.5 V	-	26	43	-	54	-	65	ns
		V _{CC} = 5 V; C _L = 15 pF	-	32	-	-	-	-	-	ns
		n \bar{RD} to nQ (reset)								
		V _{CC} = 4.5 V	-	26	43	-	54	-	65	ns
V _{CC} = 5 V; C _L = 15 pF	-	32	-	-	-	-	-	ns		
t _t	transition time	V _{CC} = 4.5 V; see Figure 7 ^[1]	-	7	15	-	19	-	22	ns

Table 7. Dynamic characteristics ...continued

Voltages are referenced to GND (ground = 0 V); $C_L = 50$ pF unless otherwise specified; for test circuit see [Figure 15](#).

Symbol	Parameter	Conditions	25 °C			-40 °C to +85 °C		-40 °C to +125 °C		Unit
			Min	Typ	Max	Min	Max	Min	Max	
t_w	pulse width	\overline{nA} LOW; nB HIGH; (trigger); see Figure 7								
		$V_{CC} = 4.5$ V	20	13	-	25	-	30	-	ns
		\overline{nRD} LOW; see Figure 10								
		$V_{CC} = 4.5$ V	22	13	-	28	-	33	-	ns
		nQ HIGH and \overline{nQ} LOW; see Figure 8								
		$V_{CC} = 5$ V; $C_{EXT} = 100$ nF; $R_{EXT} = 10$ k Ω	630	700	770	602	798	595	805	μ s
		nQ or \overline{nQ} (trigger); see Figure 8								
t_{rec}	recovery time	\overline{nRD} to \overline{nA} , nB; see Figure 11	20	12	-	25	-	30	-	ns
		$V_{CC} = 5.0$ V; see Figure 13	2	-	1000	-	-	-	-	k Ω
		$V_{CC} = 5.0$ V; see Figure 13	no limits							pF
R_{EXT}	external timing resistor	$V_{CC} = 5.0$ V; see Figure 13	2	-	1000	-	-	-	-	k Ω
C_{EXT}	external timing capacitor	$V_{CC} = 5.0$ V; see Figure 13	no limits							pF

Table 7. Dynamic characteristics ...continued

Voltages are referenced to GND (ground = 0 V); $C_L = 50 \text{ pF}$ unless otherwise specified; for test circuit see [Figure 15](#).

Symbol	Parameter	Conditions	25 °C			-40 °C to +85 °C		-40 °C to +125 °C		Unit
			Min	Typ	Max	Min	Max	Min	Max	
C_{PD}	power dissipation capacitance	per monostable; $V_I = \text{GND to } V_{CC} - 1.5 \text{ V}$	-	96	-	-	-	-	-	pF

[1] t_t is the same as t_{THL} and t_{TLH}

[2] C_{PD} is used to determine the dynamic power dissipation (P_D in μW).

$$P_D = C_{PD} \times V_{CC}^2 \times f_i + \sum(C_L \times V_{CC}^2 \times f_o) + 0.33 \times C_{EXT} \times V_{CC}^2 \times f_o + D \times 28 \times V_{CC}$$

f_i = input frequency in MHz;

f_o = output frequency in MHz;

D = duty factor in %;

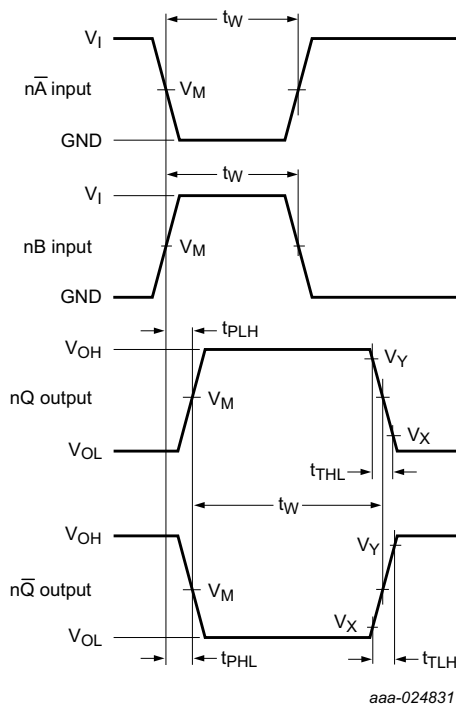
C_L = output load capacitance in pF;

V_{CC} = supply voltage in V;

C_{EXT} = timing capacitance in pF;

$\sum(C_L \times V_{CC}^2 \times f_o)$ sum of outputs.

11. Waveforms and graphs



aaa-024831

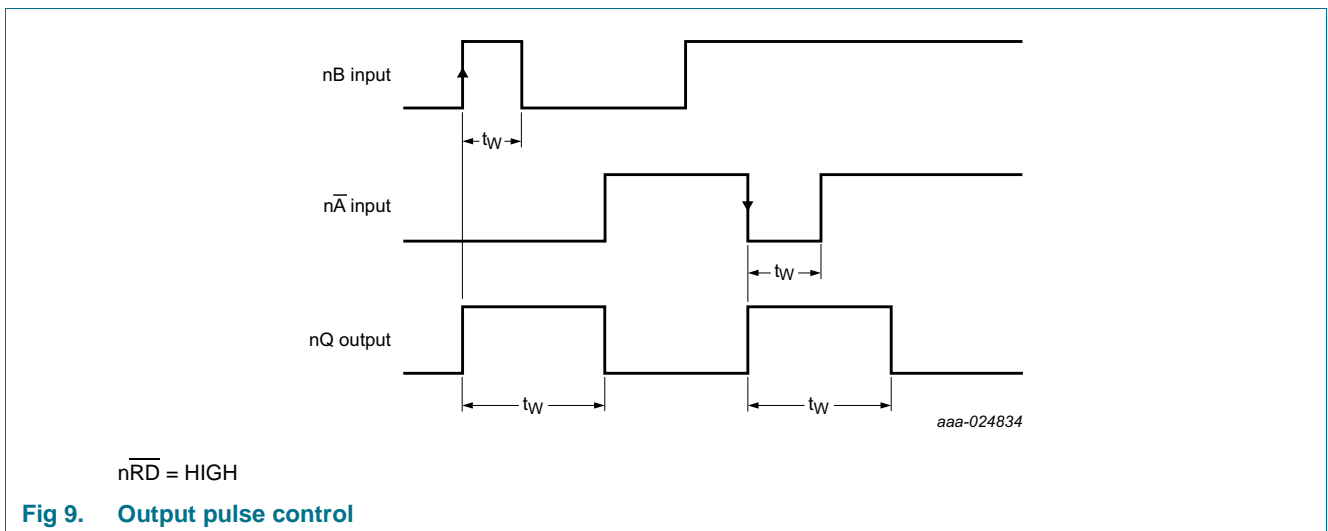
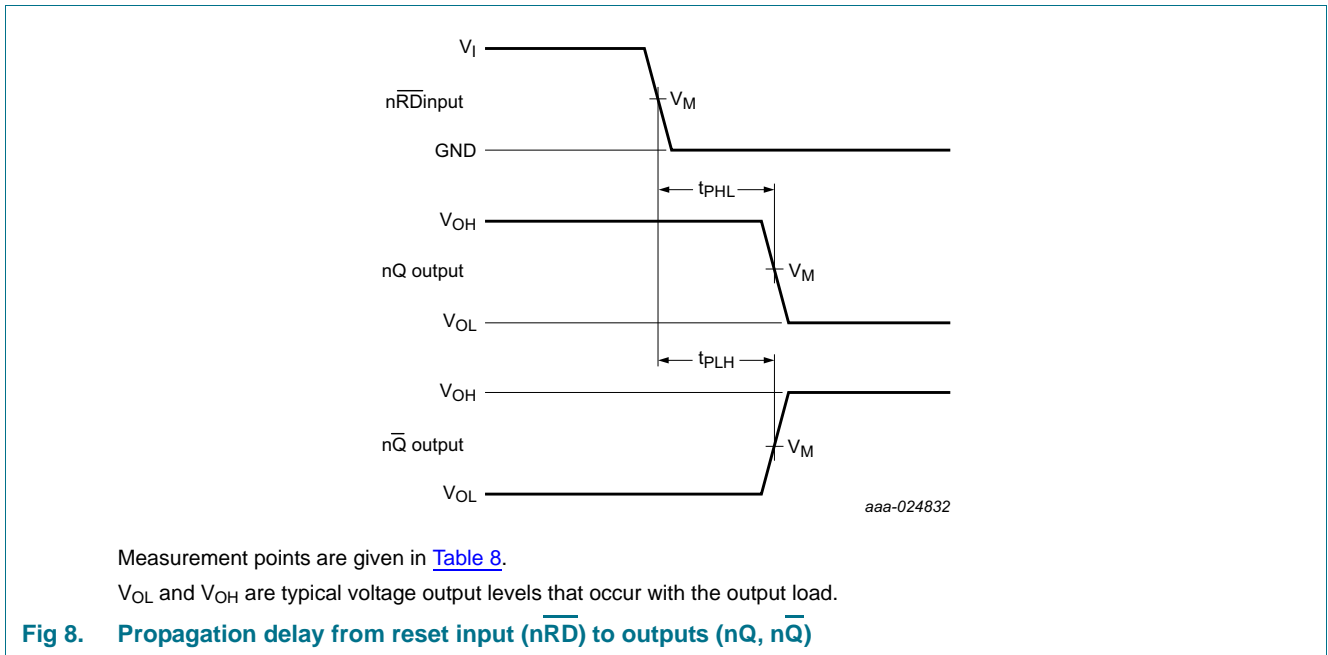
Measurement points are given in [Table 8](#).

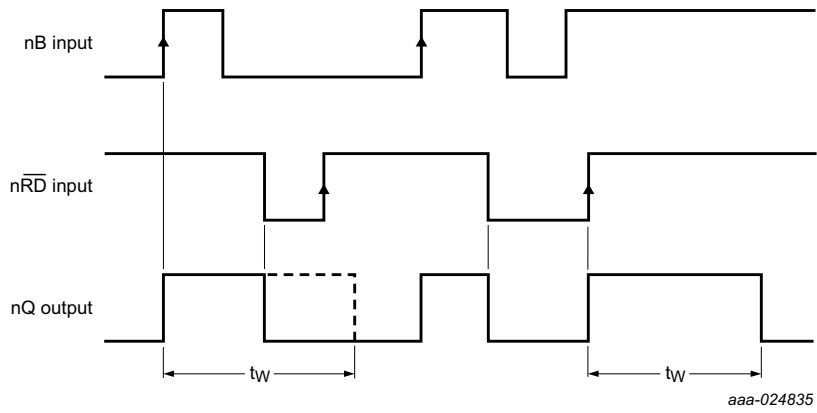
V_{OL} and V_{OH} are typical voltage output levels that occur with the output load.

Fig 7. Propagation delay from input (\overline{nA} , nB) to output (nQ , \overline{nQ}), \overline{nA} , nB pulse widths and output transition times

Table 8. Measurement points

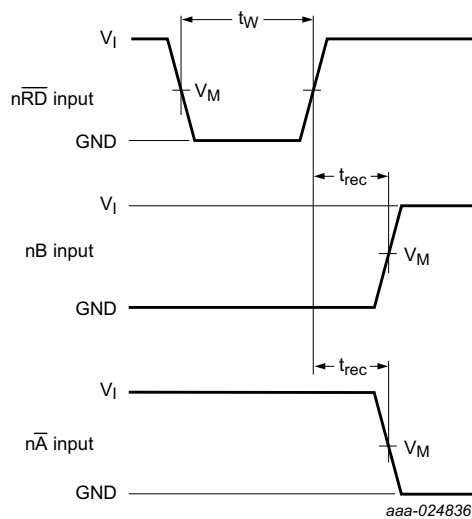
Input	Output		
V_M	V_M	V_X	V_Y
1.3 V	1.3 V	$0.1V_{CC}$	$0.9V_{CC}$





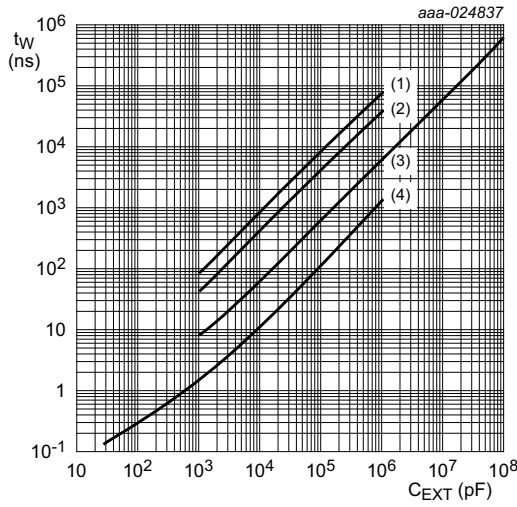
$\overline{nA} = \text{LOW}$

Fig 10. Output pulse control using reset input \overline{nRD}



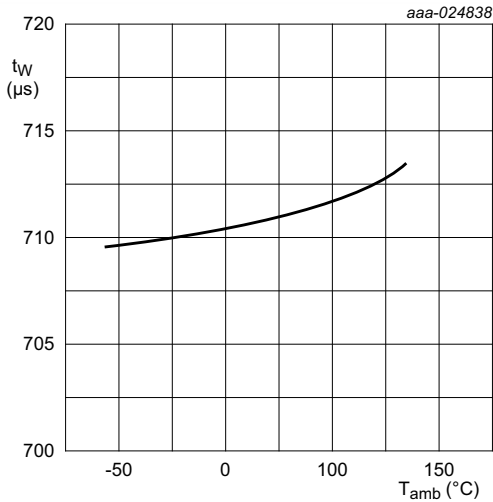
Measurement points are given in [Table 8](#).

Fig 11. Reset input (\overline{nRD}) to inputs \overline{nA} or nB recovery times



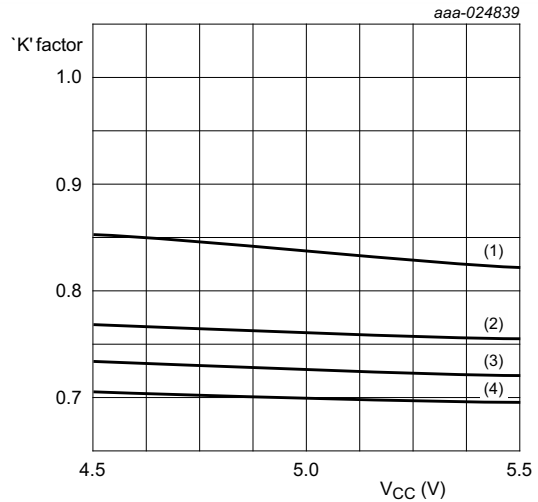
- $V_{CC} = 4.5\text{ V}; T_{amb} = 25\text{ }^{\circ}\text{C}.$
- (1) $R_{EXT} = 100\text{ k}\Omega$
 - (2) $R_{EXT} = 50\text{ k}\Omega$
 - (3) $R_{EXT} = 10\text{ k}\Omega$
 - (4) $R_{EXT} = 2\text{ k}\Omega$

Fig 12. Typical output pulse width as a function of the external capacitor



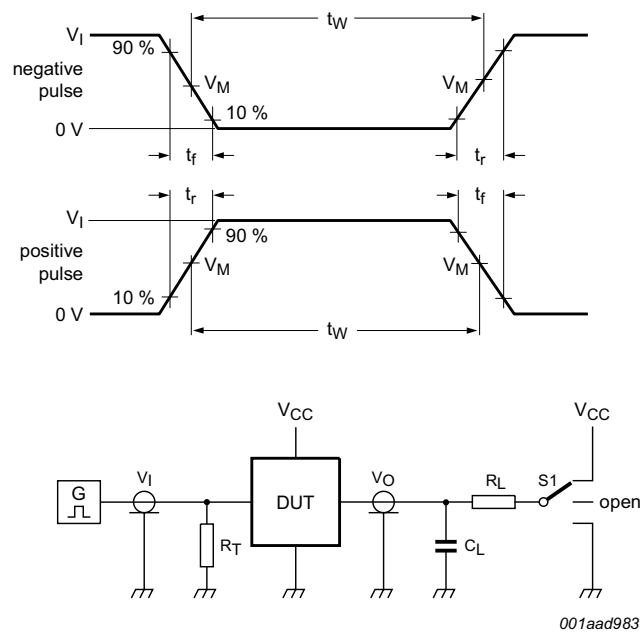
$C_{EXT} = 0.1\text{ }\mu\text{F}; R_{EXT} = 10\text{ k}\Omega.; V_{CC} = 5.0\text{ V}$

Fig 13. Typical output pulse width as a function of the ambient temperature



- $R_{EXT} = 10\text{ k}\Omega; T_{amb} = 25\text{ }^{\circ}\text{C}.$
- (1) $C_{EXT} = 0.001\text{ }\mu\text{F}$
 - (2) $C_{EXT} = 0.01\text{ }\mu\text{F}$
 - (3) $C_{EXT} = 0.1\text{ }\mu\text{F}$
 - (4) $C_{EXT} = 1\text{ }\mu\text{F}$

Fig 14. "K" factor as function of the supply voltage



Test data is given in [Table 9](#).

Definitions test circuit:

R_T = Termination resistance should be equal to output impedance Z_o of the pulse generator.

C_L = Load capacitance including jig and probe capacitance.

R_L = Load resistance.

S1 = Test selection switch.

Fig 15. Test circuit for measuring switching times

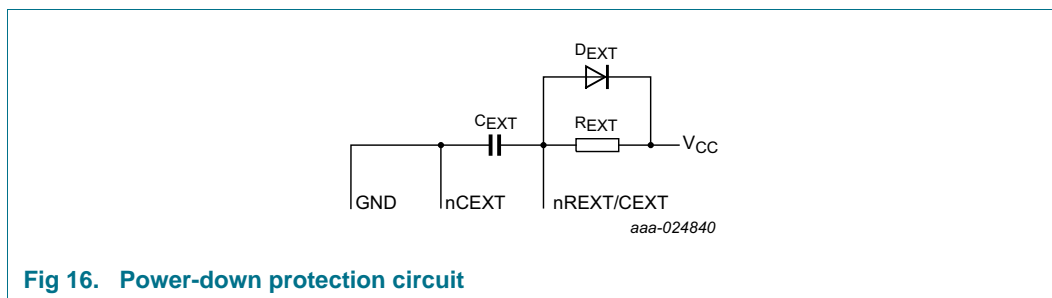
Table 9. Test data

Input		Load		S1 position
V_I	t_r, t_f	C_L	R_L	t_{PHL}, t_{PLH}
3 V	6 ns	15 pF, 50 pF	1 kΩ	open

12. Application information

12.1 Power-down considerations

A large capacitor C_{EXT} may cause problems when powering-down the monostable due to the energy stored in this capacitor. When a system containing this device is powered-down or a rapid decrease of V_{CC} to zero occurs, the monostable may sustain damage, due to the capacitor discharging through the input protection diodes. To avoid this possibility, use a damping diode (D_{EXT}) preferably a germanium or Schottky type diode able to withstand large current surges and connect as shown in [Figure 16](#).



13. Package outline

SO16: plastic small outline package; 16 leads; body width 3.9 mm

SOT109-1

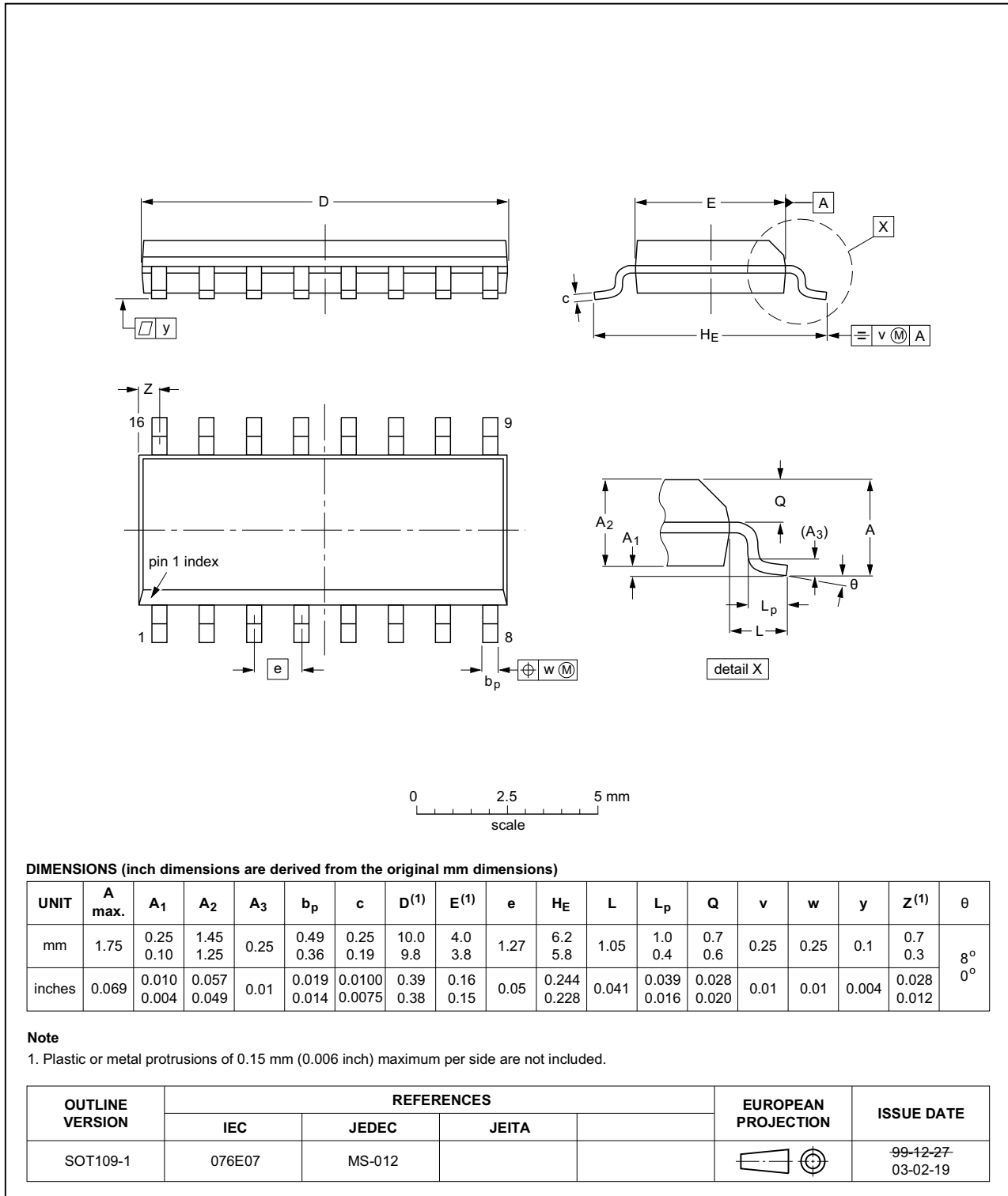


Fig 17. Package outline SOT109-1 (SO16)

14. Abbreviations

Table 10. Abbreviations

Acronym	Abbreviation
CMOS	Complementary Metal Oxide Semiconductor
DUT	Device Under Test
ESD	ElectroStatic Discharge
HBM	Human Body Model
MM	Machine Model

15. Revision history

Table 11. Revision history

Document ID	Release date	Data sheet status	Change notice	Supersedes
74HCT221 v.3	20161026	Product data sheet	-	74HC_HCT221 v.2
Modifications:	<ul style="list-style-type: none"> The format of this data sheet has been redesigned to comply with the new identity guidelines of NXP Semiconductors. Legal texts have been adapted to the new company name where appropriate. Type numbers 74HC221N, 74HC221D, 74HC221DB and 74HCT221N removed. 			
74HC_HCT221 v.2	19901201	Product specification	-	-

16. Legal information

16.1 Data sheet status

Document status ^{[1][2]}	Product status ^[3]	Definition
Objective [short] data sheet	Development	This document contains data from the objective specification for product development.
Preliminary [short] data sheet	Qualification	This document contains data from the preliminary specification.
Product [short] data sheet	Production	This document contains the product specification.

[1] Please consult the most recently issued document before initiating or completing a design.

[2] The term 'short data sheet' is explained in section "Definitions".

[3] The product status of device(s) described in this document may have changed since this document was published and may differ in case of multiple devices. The latest product status information is available on the Internet at URL <http://www.nexperia.com>.

16.2 Definitions

Draft — The document is a draft version only. The content is still under internal review and subject to formal approval, which may result in modifications or additions. Nexperia does not give any representations or warranties as to the accuracy or completeness of information included herein and shall have no liability for the consequences of use of such information.

Short data sheet — A short data sheet is an extract from a full data sheet with the same product type number(s) and title. A short data sheet is intended for quick reference only and should not be relied upon to contain detailed and full information. For detailed and full information see the relevant full data sheet, which is available on request via the local Nexperia sales office. In case of any inconsistency or conflict with the short data sheet, the full data sheet shall prevail.

Product specification — The information and data provided in a Product data sheet shall define the specification of the product as agreed between Nexperia and its customer, unless Nexperia and customer have explicitly agreed otherwise in writing. In no event however, shall an agreement be valid in which the Nexperia product is deemed to offer functions and qualities beyond those described in the Product data sheet.

16.3 Disclaimers

Limited warranty and liability — Information in this document is believed to be accurate and reliable. However, Nexperia does not give any representations or warranties, expressed or implied, as to the accuracy or completeness of such information and shall have no liability for the consequences of use of such information. Nexperia takes no responsibility for the content in this document if provided by an information source outside of Nexperia.

In no event shall Nexperia be liable for any indirect, incidental, punitive, special or consequential damages (including - without limitation - lost profits, lost savings, business interruption, costs related to the removal or replacement of any products or rework charges) whether or not such damages are based on tort (including negligence), warranty, breach of contract or any other legal theory.

Notwithstanding any damages that customer might incur for any reason whatsoever, Nexperia's aggregate and cumulative liability towards customer for the products described herein shall be limited in accordance with the *Terms and conditions of commercial sale* of Nexperia.

Right to make changes — Nexperia reserves the right to make changes to information published in this document, including without limitation specifications and product descriptions, at any time and without notice. This document supersedes and replaces all information supplied prior to the publication hereof.

Suitability for use — Nexperia products are not designed, authorized or warranted to be suitable for use in life support, life-critical or safety-critical systems or equipment, nor in applications where failure or malfunction of a Nexperia product can reasonably be expected to result in personal injury, death or severe property or environmental damage. Nexperia and its suppliers accept no liability for inclusion and/or use of Nexperia products in such equipment or applications and therefore such inclusion and/or use is at the customer's own risk.

Applications — Applications that are described herein for any of these products are for illustrative purposes only. Nexperia makes no representation or warranty that such applications will be suitable for the specified use without further testing or modification.

Customers are responsible for the design and operation of their applications and products using Nexperia products, and Nexperia accepts no liability for any assistance with applications or customer product design. It is customer's sole responsibility to determine whether the Nexperia product is suitable and fit for the customer's applications and products planned, as well as for the planned application and use of customer's third party customer(s). Customers should provide appropriate design and operating safeguards to minimize the risks associated with their applications and products.

Nexperia does not accept any liability related to any default, damage, costs or problem which is based on any weakness or default in the customer's applications or products, or the application or use by customer's third party customer(s). Customer is responsible for doing all necessary testing for the customer's applications and products using Nexperia products in order to avoid a default of the applications and the products or of the application or use by customer's third party customer(s). Nexperia does not accept any liability in this respect.

Limiting values — Stress above one or more limiting values (as defined in the Absolute Maximum Ratings System of IEC 60134) will cause permanent damage to the device. Limiting values are stress ratings only and (proper) operation of the device at these or any other conditions above those given in the Recommended operating conditions section (if present) or the Characteristics sections of this document is not warranted. Constant or repeated exposure to limiting values will permanently and irreversibly affect the quality and reliability of the device.

Terms and conditions of commercial sale — Nexperia products are sold subject to the general terms and conditions of commercial sale, as published at <http://www.nexperia.com/profile/terms>, unless otherwise agreed in a valid written individual agreement. In case an individual agreement is concluded only the terms and conditions of the respective agreement shall apply. Nexperia hereby expressly objects to applying the customer's general terms and conditions with regard to the purchase of Nexperia products by customer.

No offer to sell or license — Nothing in this document may be interpreted or construed as an offer to sell products that is open for acceptance or the grant, conveyance or implication of any license under any copyrights, patents or other industrial or intellectual property rights.

Export control — This document as well as the item(s) described herein may be subject to export control regulations. Export might require a prior authorization from competent authorities.

Non-automotive qualified products — Unless this data sheet expressly states that this specific Nexperia product is automotive qualified, the product is not suitable for automotive use. It is neither qualified nor tested in accordance with automotive testing or application requirements. Nexperia accepts no liability for inclusion and/or use of non-automotive qualified products in automotive equipment or applications.

In the event that customer uses the product for design-in and use in automotive applications to automotive specifications and standards, customer (a) shall use the product without Nexperia's warranty of the product for such automotive applications, use and specifications, and (b) whenever customer uses the product for automotive applications beyond

Nexperia's specifications such use shall be solely at customer's own risk, and (c) customer fully indemnifies Nexperia for any liability, damages or failed product claims resulting from customer design and use of the product for automotive applications beyond Nexperia's standard warranty and Nexperia's product specifications.

Translations — A non-English (translated) version of a document is for reference only. The English version shall prevail in case of any discrepancy between the translated and English versions.

16.4 Trademarks

Notice: All referenced brands, product names, service names and trademarks are the property of their respective owners.

17. Contact information

For more information, please visit: <http://www.nexperia.com>

For sales office addresses, please send an email to: salesaddresses@nexperia.com

18. Contents

1	General description	1
2	Features and benefits	1
3	Ordering information	1
4	Functional diagram	2
5	Pinning information	4
5.1	Pinning	4
5.2	Pin description	4
6	Functional description	5
7	Limiting values	5
8	Recommended operating conditions	6
9	Static characteristics	6
10	Dynamic characteristics	7
11	Waveforms and graphs	9
12	Application information	14
12.1	Power-down considerations	14
13	Package outline	15
14	Abbreviations	16
15	Revision history	16
16	Legal information	17
16.1	Data sheet status	17
16.2	Definitions	17
16.3	Disclaimers	17
16.4	Trademarks	18
17	Contact information	18
18	Contents	19