



FS5502

High voltage PMIC with multiple SMPS and LDO

Rev. 3 — 27 January 2020

Product data sheet

1 General description

This device family is part of a global platform including FS5502/VR5500 (Quality Management), FS84 (fit for ASIL B) and FS85 (fit for ASIL D), pin to pin and software compatible. This data sheet covers FS5502 device only.

The FS5502 is an automotive high voltage multi-output power supply integrated circuit, with focus on radio and radar applications. It includes multiple switch mode and linear voltage regulators. It offers external frequency synchronization input and output, for optimized system EMC performance and it is qualified in compliance with AEC-Q100 rev H (Grade1, MSL3).

Several device versions are available, offering choice in number of output rails, output voltage setting, operating frequency and power up sequencing, to address multiple applications.

2 Features and benefits

- 60 V DC maximum input voltage for 12 V and 24 V applications
- VPRE synchronous buck controller with external MOSFETs. Configurable output voltage, switching frequency, and current capability up to 10 A peak.
- Low voltage integrated synchronous BUCK1 converter, dedicated to MCU core supply with SVS capability. Configurable output voltage and current capability up to 3.6 A peak.
- Low voltage integrated synchronous BUCK3 converter. Configurable output voltage and current capability up to 3.6 A peak.
- EMC optimization techniques including SMPS frequency synchronization, spread spectrum, slew rate control, manual frequency tuning
- One linear voltage regulator for MCU IOs and ADC supply, external physical layer. Configurable output voltage and current capability up to 400 mA DC.
- OFF mode with very low sleep current (10 μ A typ)
- Two input pins for wake-up detection and battery voltage sensing
- Device control via I²C interface with CRC
- Power synchronization pin to operate two FS5502 devices or FS5502 plus an external PMIC
- Three voltage monitoring circuits, dedicated interface for MCU monitoring, power good, reset and interrupt outputs
- Configuration by OTP programming. Prototype enablement to support custom setting during project development in engineering mode.



3 Applications

- Radio
- V2x
- Infotainment

4 Simplified application diagram

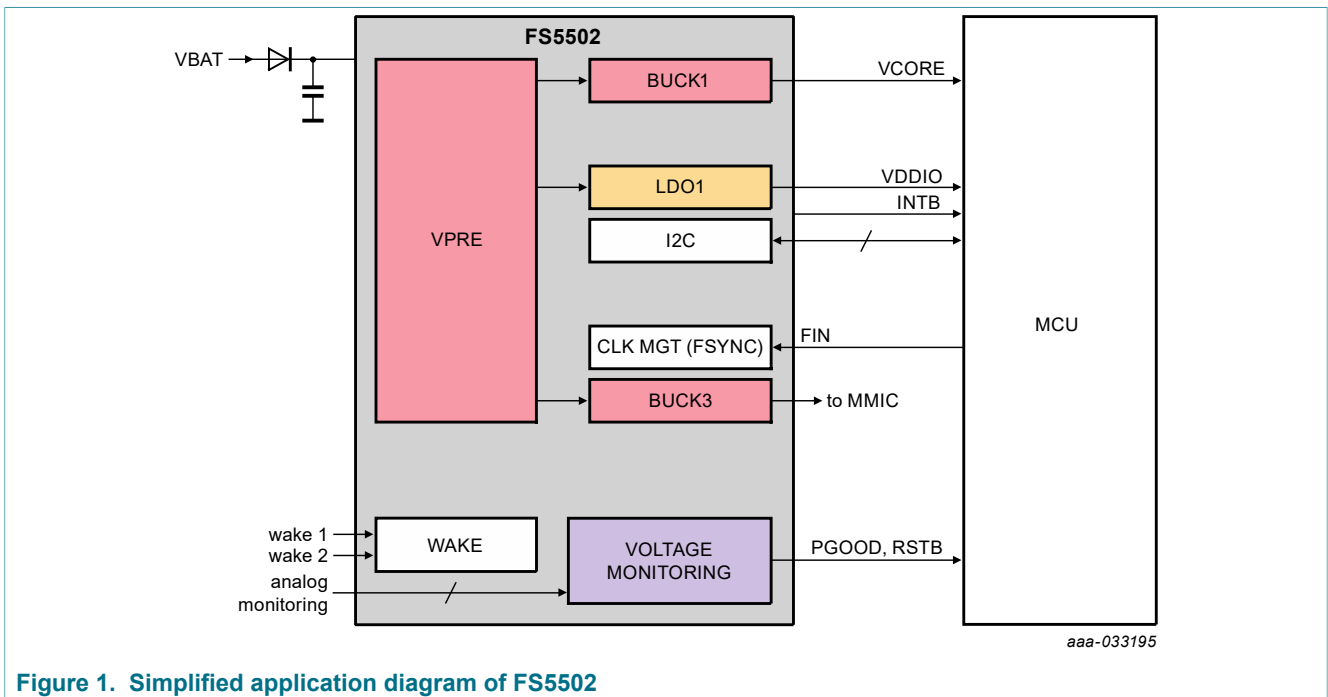


Figure 1. Simplified application diagram of FS5502

5 Ordering information

Table 1. Ordering information

| Part number ^[1] | Package | | | OTP ID |
|----------------------------|---------|--|-----------|---|
| | Name | Description | Version | |
| MC33FS5502Y0ES | HVQFN56 | HVQFN56, plastic, thermally enhanced very thin quad flat package, no lead, wettable flanks | SOT684-23 | — |
| MC33FS5502Y3ES | | | | http://www.nxp.com/MC33FS5502Y3ES-OTP-Report |

[1] To order parts in tape and reel, add the R2 suffix to the part number.

Y0 part is a non-programmed OTP configuration. Pre-programmed OTP configurations (other than BUCK regulators) will be managed through suffix Y1 to ZZ.

6 Block diagram

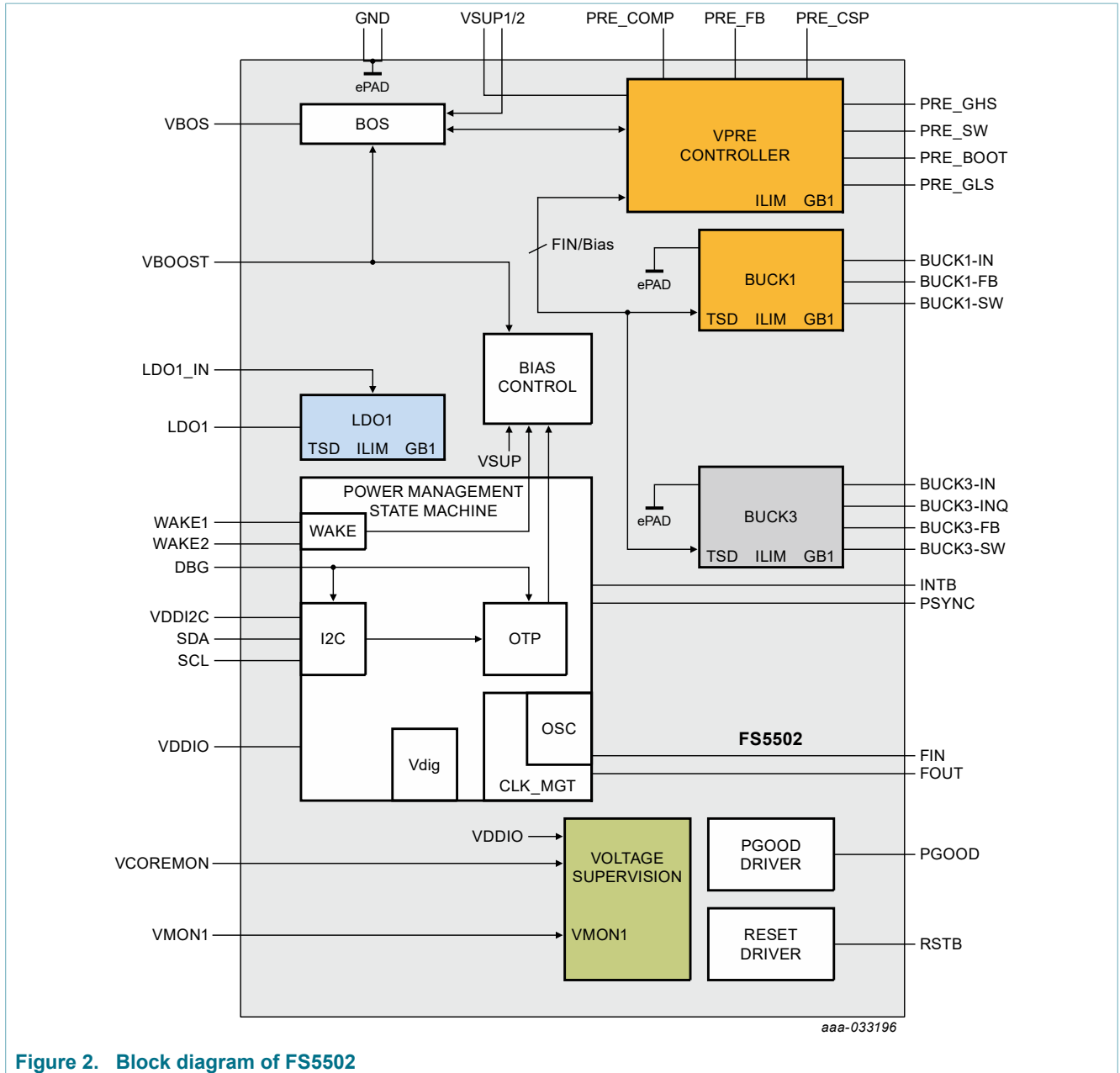


Figure 2. Block diagram of FS5502

7 Pinning information

7.1 Pinning

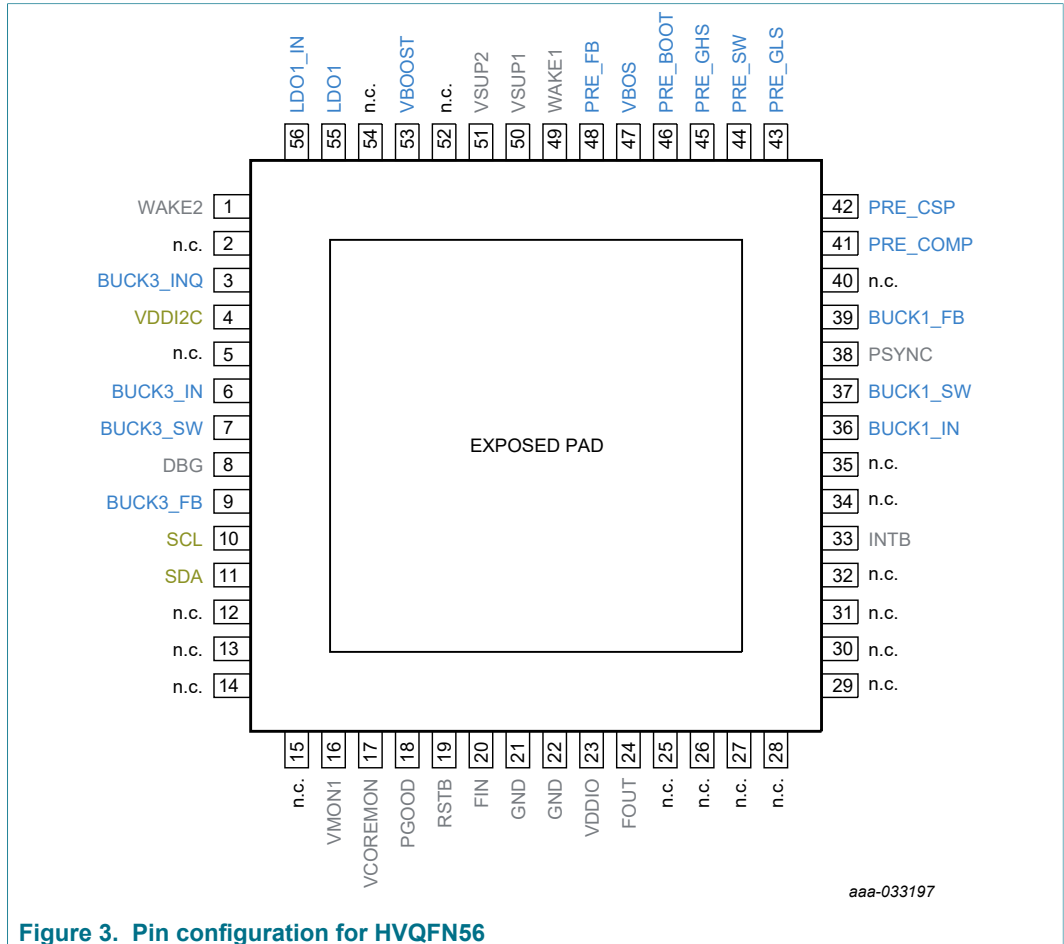


Figure 3. Pin configuration for HVQFN56

7.2 Pin description

See [Section 7.3](#) for connection of unused pins.

Table 2. Pin description

| Symbol | Pin | Type | Description |
|-----------|-----|-------------|---|
| WAKE2 | 1 | A_IN / D_IN | Wake-up input 2 An external serial resistor is required if WAKE2 is a global pin |
| n.c. | 2 | n.c. | Not connected pin |
| BUCK3_INQ | 3 | A_IN | Low voltage BUCK3 quiet input voltage |
| VDDI2C | 4 | A_IN | Input voltage for I ² C buffers |
| n.c. | 5 | n.c. | Not connected pin |
| BUCK3_IN | 6 | A_IN | Low voltage BUCK3 input voltage |
| BUCK3_SW | 7 | A_OUT | Low voltage BUCK3 switching node |
| DBG | 8 | A_IN | Debug mode entry |
| BUCK3_FB | 9 | A_IN | Low voltage BUCK3 voltage feedback |

| Symbol | Pin | Type | Description |
|----------|-----|----------|---|
| SCL | 10 | D_IN | I ² C bus Clock input |
| SDA | 11 | D_IN/OUT | I ² C bus Bidirectional data line |
| n.c. | 12 | n.c. | Not connected pin |
| n.c. | 13 | n.c. | Not connected pin |
| n.c. | 14 | n.c. | Not connected pin |
| n.c. | 15 | n.c. | Not connected pin |
| VMON1 | 16 | A_IN | Voltage monitoring input 1 |
| VCOREMON | 17 | A_IN | VCORE monitoring input: Must be connected to BUCK1 output voltage |
| PGOOD | 18 | D_OUT | Power good output Active low Pull up to VDDIO mandatory |
| RSTB | 19 | D_OUT | Reset output Active low The main function is to reset the MCU. Reset input voltage is monitored to detect external reset and fault condition. Pull up to VDDIO mandatory |
| FIN | 20 | D_IN | Frequency synchronization input |
| GND | 21 | GND | Ground |
| GND | 22 | GND | Ground |
| VDDIO | 23 | A_IN | Input voltage FOUT buffers Allow voltage compatibility with MCU I/Os |
| FOUT | 24 | D_OUT | Frequency synchronization output |
| n.c. | 25 | n.c. | Not connected pin |
| n.c. | 26 | n.c. | Not connected pin |
| n.c. | 27 | GND | External pull down to GND |
| n.c. | 28 | n.c. | Not connected pin |
| n.c. | 29 | n.c. | Not connected pin |
| n.c. | 30 | n.c. | Not connected pin |
| n.c. | 31 | n.c. | Not connected pin |
| n.c. | 32 | n.c. | Not connected pin |
| INTB | 33 | D_OUT | Interrupt output |
| n.c. | 34 | n.c. | Not connected pin |
| n.c. | 35 | n.c. | Not connected pin |
| BUCK1_IN | 36 | A_IN | Low voltage BUCK1 input voltage |
| BUCK1_SW | 37 | A_OUT | Low voltage BUCK1 switching node |
| PSYNC | 38 | D_IN/OUT | Power synchronization input/output |
| BUCK1_FB | 39 | A_IN | Low voltage BUCK1 voltage feedback |
| n.c. | 40 | GND | External pull down to GND |
| PRE_COMP | 41 | A_IN | VPRE compensation network |
| PRE_CSP | 42 | A_IN | VPRE positive current sense input |
| PRE_GLS | 43 | A_OUT | VPRE low-side gate driver for external MOSFET |

| Symbol | Pin | Type | Description |
|----------|-----|-------------|---|
| PRE_SW | 44 | A_OUT | VPRE switching node |
| PRE_GHS | 45 | A_OUT | VPRE high-side gate driver for external MOSFET |
| PRE_BOOT | 46 | A_IN/OUT | VPRE bootstrap capacitor |
| VBOS | 47 | A_OUT | Best of supply output voltage |
| PRE_FB | 48 | A_IN | VPRE voltage feedback and negative current sense input |
| WAKE1 | 49 | A_IN / D_IN | Wake up input 1 An external serial resistor is required if WAKE1 is a global pin |
| VSUP1 | 50 | A_IN | Power supply 1 of the device An external reverse battery protection diode in series is mandatory |
| VSUP2 | 51 | A_IN | Power supply 2 of the device An external reverse battery protection diode in series is mandatory |
| n.c. | 52 | n.c. | Not connected pin |
| VBOOST | 53 | A_IN | VBOOST voltage feedback Must be connected to PRE_FB |
| n.c. | 54 | n.c. | Not connected pin |
| LDO1 | 55 | A_OUT | Linear regulator 1 output voltage |
| LDO1_IN | 56 | A_IN | Linear regulator 1 input voltage |
| EP | 57 | GND | Exposed pad (BUCK1 and BUCK3 low-side GNDs are connected to the expose pad) |

7.3 Connection of unused pins

Table 3. Connection of unused pins

| Pin | Name | Type | Connection if not used |
|-----|-----------|-------------|---|
| 1 | WAKE2 | A_IN / D_IN | External pull down to GND |
| 2 | n.c. | n.c. | Open |
| 3 | BUCK3_INQ | A_IN | Open |
| 4 | VDDI2C | A_IN | Open |
| 5 | n.c. | n.c. | Open |
| 6 | BUCK3_IN | A_IN | Open |
| 7 | BUCK3_SW | A_OUT | Open |
| 8 | DBG | A_IN | Connection mandatory |
| 9 | BUCK3_FB | A_IN | Open |
| 10 | SCL | D_IN | External pull down to GND |
| 11 | SDA | D_IN/OUT | External pull down to GND |
| 12 | n.c. | n.c. | Open |
| 13 | n.c. | n.c. | Open |
| 14 | n.c. | n.c. | Open |
| 15 | n.c. | n.c. | Open |
| 16 | VMON1 | A_IN | Open – 2 MΩ internal pull down to GND, OTP_VMON1_EN=0 |
| 17 | VCOREMON | A_IN | Connection mandatory |
| 18 | PGOOD | D_OUT | Connection mandatory |

| Pin | Name | Type | Connection if not used |
|-----|----------|-------------|---|
| 19 | RSTB | D_OUT | Connection mandatory |
| 20 | FIN | D_IN | External pull down to GND |
| 21 | GND | GND | Connection mandatory |
| 22 | GND | GND | Connection mandatory |
| 23 | VDDIO | A_IN | Connection mandatory |
| 24 | FOUT | D_OUT | Open – push pull structure |
| 25 | n.c. | n.c. | Open |
| 26 | n.c. | n.c. | Open |
| 27 | n.c. | GND | External pull down to GND |
| 28 | n.c. | n.c. | Open |
| 29 | n.c. | n.c. | Open |
| 30 | n.c. | n.c. | Open |
| 31 | n.c. | n.c. | Open |
| 32 | n.c. | n.c. | Open |
| 33 | INTB | D_OUT | Open – 10 kΩ internal pull up to VDDIO |
| 34 | n.c. | n.c. | Open |
| 35 | n.c. | n.c. | Open |
| 36 | BUCK1_IN | A_IN | Connection mandatory |
| 37 | BUCK1_SW | A_OUT | Connection mandatory |
| 38 | PSYNC | D_IN/OUT | External pull up to VBOS |
| 39 | BUCK1_FB | A_IN | Connection mandatory |
| 40 | n.c. | n.c. | External pull down to GND |
| 41 | PRE_COMP | A_IN | See Section 14.7 "VPRE not populated" |
| 42 | PRE_CSP | A_IN | See Section 14.7 "VPRE not populated" |
| 43 | PRE_GLS | A_OUT | See Section 14.7 "VPRE not populated" |
| 44 | PRE_SW | A_OUT | See Section 14.7 "VPRE not populated" |
| 45 | PRE_GHS | A_OUT | See Section 14.7 "VPRE not populated" |
| 46 | PRE_BOOT | A_IN/OUT | See Section 14.7 "VPRE not populated" |
| 47 | VBOS | A_OUT | Connection mandatory |
| 48 | PRE_FB | A_IN | See Section 14.7 "VPRE not populated" |
| 49 | WAKE1 | A_IN / D_IN | External pull down to GND |
| 50 | VSUP1 | A_IN | Connection mandatory |
| 51 | VSUP2 | A_IN | Connection mandatory |
| 52 | n.c. | n.c. | Open |
| 53 | VBOOST | A_IN | Connection mandatory |
| 54 | n.c. | n.c. | Open |
| 55 | LDO1 | A_OUT | Open |
| 56 | LDO1_IN | A_IN | Open |
| 57 | EP | GND | Connection mandatory |

8 Functional description

The FS5502 device has two independent logic blocks. The main state machine manages the power management, the Standby mode and the wake-up sources. The fail-safe state machine manages the voltage monitoring of the power management.

8.1 Simplified functional state diagram

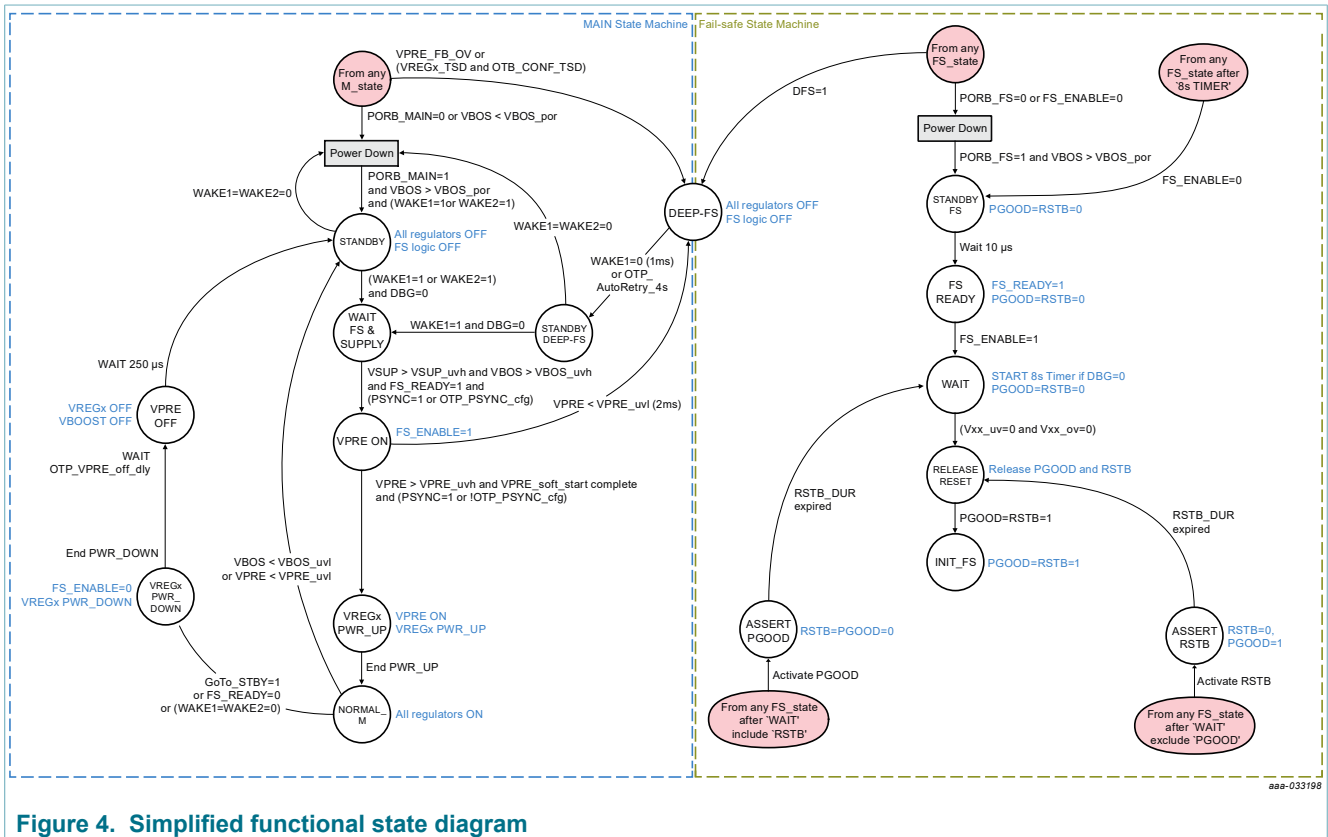


Figure 4. Simplified functional state diagram

8.2 Main state machine

The FS5502 start when $V_{SUP} > V_{SUP_UVH}$ and $WAKE1$ or $WAKE2 > WAKE12_{VIH}$ with $VBOS$ first, followed by $VPRE$, and the power-up sequencing from the OTP programming for the remaining regulators if $PSYNC$ pin is pulled up to $VBOS$. If during the power-up sequence $V_{SUP} < V_{SUP_UVL}$, the device goes back to Standby mode. When the power-up is finished, the main state machine is in Normal_M mode, which is the application running mode with all the regulators ON and V_{SUP_UVL} has no effect even if $V_{SUP} < V_{SUP_UVL}$. See Figure 29 for the minimum operating voltage.

The power up sequence can be synchronized with another PMIC using the $PSYNC$ pin in order to stop before or after $VPRE$ is ON and wait for the PMIC feedback on $PSYNC$ pin before allowing FS5502 to continue its power up sequence. If the power up sequence from $VPRE$ ON to $NORMAL_M$ is not completed within 1 second, the device goes back to Standby mode. $VPRE$ restarts when $V_{SUP} > V_{SUP_UVH}$ and $WAKE1$ or $WAKE2 > WAKE12_{VIH}$.

The device goes to Standby mode by an I²C command from the MCU. The device goes to Standby mode when both WAKE1 and WAKE 2 = 0. The device goes to Standby mode following the power down sequence to stop all the regulators in the reverse order of the power up sequence. VPRE shutdown can be delayed from 250 μ s to 32 ms by OTP_VPRE_off_dly bit in case VPRE is supplying an external PMIC to wait its power down sequence completion.

In case of loss of VPRE ($V_{PRE} < V_{PRE_UVL}$) or loss of VBOS ($V_{BOS} < V_{BOS_UVL}$), the device stops and goes directly to Standby mode without power down sequence. VPRE restarts when $V_{SUP} > V_{SUP_UVH}$ and WAKE1 or WAKE2 > WAKE12_{VIH}.

In case of VPRE_FB_OV detection, or TSD detection on a regulator depending on OTP_conf_tsd[5:0] bits configuration, or deep fail-safe request from the fail-safe state machine when DFS = 1, the device stops and goes directly to DEEP-FS mode without power down sequence.

Exit of DEEP-FS mode is only possible by WAKE1 = 0 or after 4 s if the autoretry feature is activated by OTP_Autoretry_en bit. The number of autoretry can be limited to 15 or infinite depending on OTP_Autoretry_infinite bit. VPRE restarts when $V_{SUP} > V_{SUP_UVH}$ and WAKE1 or WAKE2 > WAKE12_{VIH}.

8.3 Fail-safe state machine

The fail-safe state machine starts when $V_{BOS} > V_{BOS_POR}$. RSTB and PGOOD pins are released and the initialization of the device is opened.

When RSTB and PGOOD pins are released, the device is ready for application running mode with all the selected monitoring activated. From now on, the FS5502 reacts by asserting the pins (PGOOD, RSTB) according to its configuration when a fault is detected.

8.4 Power sequencing

VPRE is the first regulator to start automatically, before the SLOT_0. The other regulators are starting from the OTP power sequencing configuration. Seven slots are available to program the start-up sequence of BUCK1, BUCK 3 and LDO1 regulators. The delay between each slot is configurable to 250 μ s or 1 ms by OTP using OTP_Tslot bit to accommodate the different ramp up speed of BUCK1 and BUCK3.

The power up sequence starts at SLOT_0 and ends at SLOT_7 while the power down sequence is executed in reverse order. All the SLOTS are executed even if there is no regulator assigned to a SLOT. The regulators assigned to SLOT_7 are not started during the power up sequence. They can be started (or not) later in Normal_M mode with an I²C command to write in M_REG_CTRL1 register, if they are enabled by OTP.

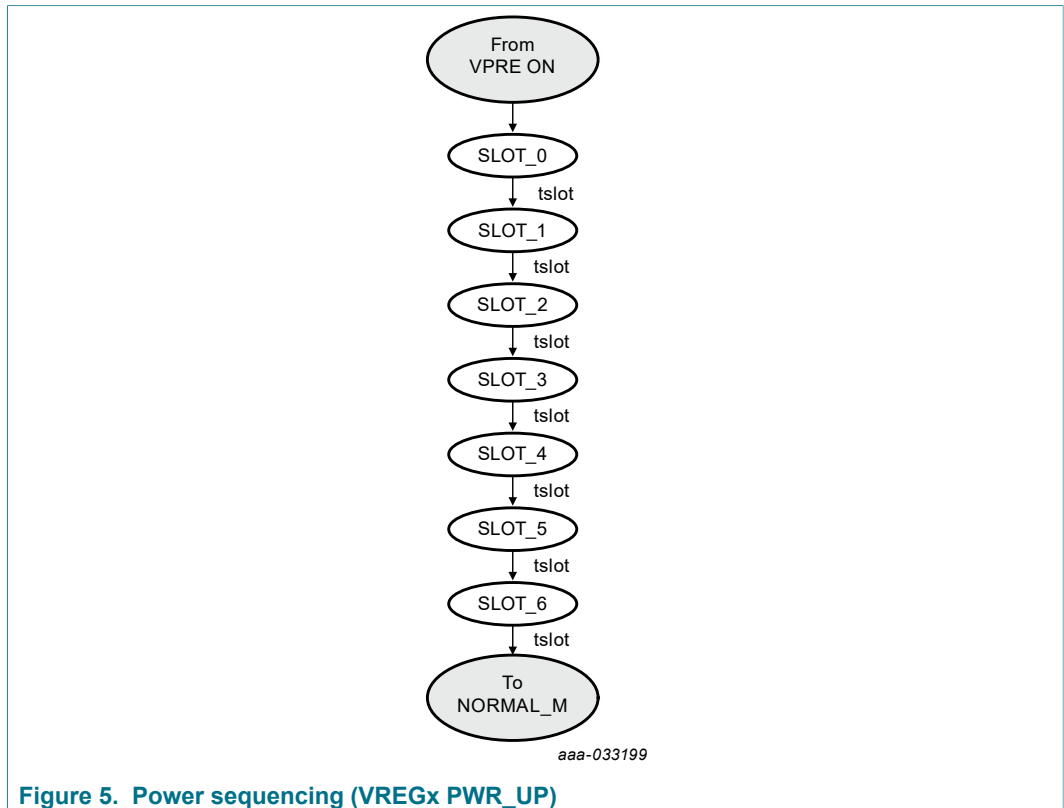


Figure 5. Power sequencing (VREGx PWR_UP)

Each regulator is assigned to a SLOT by OTP configuration using OTP_VB1S[2:0] for BUCK1, OTP_VB3S[2:0] for BUCK3, and OTP_LDO1S[2:0] for LDO1.

The different soft start duration of the BUCKs and the LDO should be considered in the SLOT assignment to achieve the correct sequence.

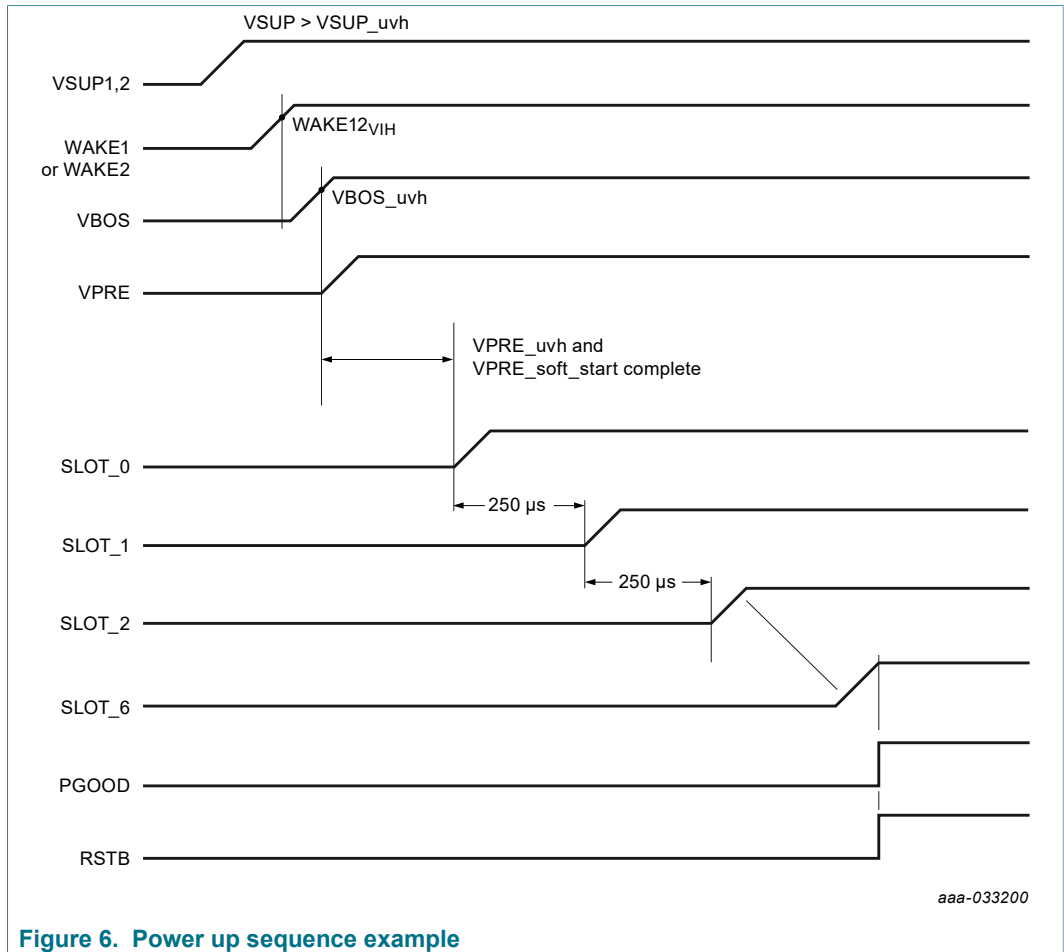


Figure 6. Power up sequence example

The FS5502_OTP_Mapping file used to generate the OTP configuration of the device draws the power up sequence of an OTP configuration in the OTP_conf_summary sheet.

8.5 Debug mode

The FS5502 enter in Debug mode with the sequence described in [Figure 7](#):

1. $DBG\ pin = V_{DBG}$ and $VSUP > V_{SUP_UVH}$
2. $WAKE1$ or $WAKE2 > WAKE12_{VIH}$

V_{DBG} and $VSUP$ can come up at the same time as long as $WAKE1$ or $WAKE2$ comes up the last.

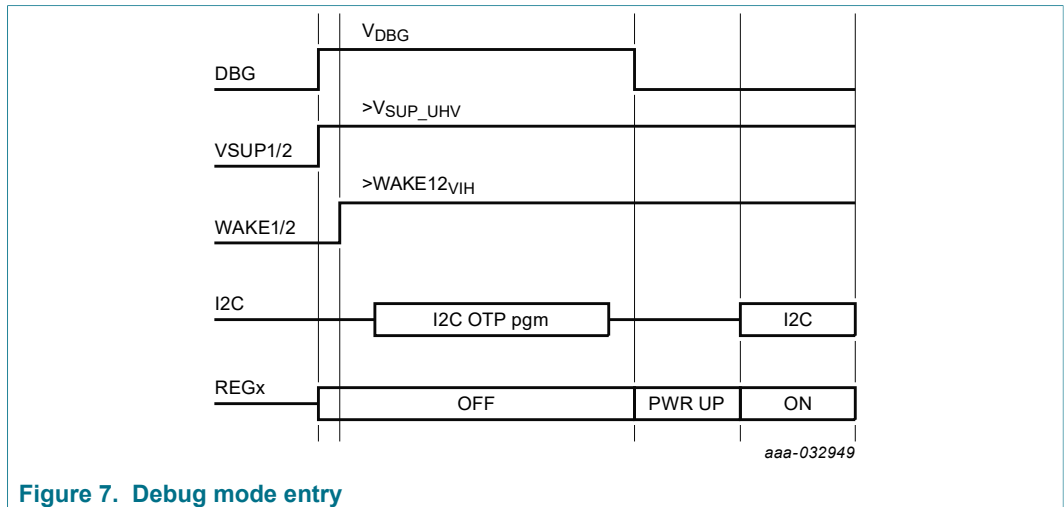


Figure 7. Debug mode entry

When the DBG pin is asserted low after T_{DBG} without I²C command access, the device starts with the internal OTP configuration.

If V_{DBG} voltage is maintained at DBG pin, a new OTP configuration can be emulated or programmed by I²C communication using NXP FlexGUI interface and NXP socket EVB. When the OTP process is completed, the device starts with the new OTP configuration when DBG pin is asserted low. The OTP emulation/programming is possible for during engineering development only. The OTP programming in production is done by NXP only.

In OTP Debug mode (DBG = 5.0 V), the I²C address is fixed to 0x20 for the main digital access and 0x21 for the fail-safe digital access.

Table 4. Electrical characteristics

$T_A = -40\text{ }^{\circ}\text{C}$ to $125\text{ }^{\circ}\text{C}$, unless otherwise specified. $VSUP = VSUP_UVH$ to 36 V, unless otherwise specified. All voltages referenced to ground.

| Symbol | Parameter | Min | Typ | Max | Unit |
|-----------|--|-----|-----|-----|------|
| V_{DBG} | Debug mode entry threshold | 4.5 | — | 5.5 | V |
| T_{DBG} | Debug mode entry filtering time (minimum duration of $DBG = V_{DBG}$ after $VSUP > V_{SUP_UVH}$ and $WAKE1$ or $WAKE2 > WAKE12_{VIH}$) | 7.0 | — | — | ms |

9 Register mapping

| Register | M/FS | Address | | | | | | R/W I ² C | Read / Write | Reference |
|------------------------------|------|---------|-------|-------|-------|-------|-------|-------------------------|----------------------------------|-------------------------------|
| | | Adr_5 | Adr_4 | Adr_3 | Adr_2 | Adr_1 | Adr_0 | | | |
| M_FLAG | 0 | 0 | 0 | 0 | 0 | 0 | 0 | 1/0 | Read / Write | Section 10.3 |
| M_MODE | 0 | 0 | 0 | 0 | 0 | 0 | 1 | 1/0 | Read / Write | Section 10.4 |
| M_REG_CTRL1 | 0 | 0 | 0 | 0 | 0 | 1 | 0 | 1/0 | Read / Write | Section 10.5 |
| M_REG_CTRL2 | 0 | 0 | 0 | 0 | 0 | 1 | 1 | 1/0 | Read / Write | Section 10.6 |
| M_CLOCK | 0 | 0 | 0 | 0 | 1 | 0 | 1 | 1/0 | Read / Write | Section 10.7 |
| M_INT_MASK1 | 0 | 0 | 0 | 0 | 1 | 1 | 0 | 1/0 | Read / Write | Section 10.8 |
| M_INT_MASK2 | 0 | 0 | 0 | 0 | 1 | 1 | 1 | 1/0 | Read / Write | Section 10.9 |
| M_FLAG1 | 0 | 0 | 0 | 1 | 0 | 0 | 0 | 1/0 | Read / Write | Section 10.10 |
| M_FLAG2 | 0 | 0 | 0 | 1 | 0 | 0 | 1 | 1/0 | Read / Write | Section 10.11 |
| M_VMON_REGX | 0 | 0 | 0 | 1 | 0 | 1 | 0 | 1/0 | Read / Write | Section 10.12 |
| M_LVB1_SVS | 0 | 0 | 0 | 1 | 0 | 1 | 1 | 1 | Read only | Section 10.13 |
| M_MEMORY0 | 0 | 1 | 0 | 0 | 0 | 1 | 1 | 1/0 | Read / Write | Section 10.14 |
| M_MEMORY1 | 0 | 1 | 0 | 0 | 1 | 0 | 0 | 1/0 | Read / Write | Section 10.15 |
| M_DEVICEID | 0 | 1 | 0 | 0 | 1 | 0 | 1 | 1 | Read only | Section 10.16 |
| FS_GRL_FLAGS | 1 | 0 | 0 | 0 | 0 | 0 | 0 | 1 | Read only | Section 11.3 |
| FS_I_OVUV_SAFE_REACTION1 | 1 | 0 | 0 | 0 | 0 | 0 | 1 | 1/0 | Write during INIT then Read only | Section 11.4 |
| FS_I_NOT_OVUV_SAFE_REACTION1 | 1 | 0 | 0 | 0 | 0 | 1 | 0 | 1/0 | Write during INIT then Read only | |
| FS_I_OVUV_SAFE_REACTION2 | 1 | 0 | 0 | 0 | 0 | 1 | 1 | 1/0 | Write during INIT then Read only | Section 11.5 |
| FS_I_NOT_OVUV_SAFE_REACTION2 | 1 | 0 | 0 | 0 | 1 | 0 | 0 | 1/0 | Write during INIT then Read only | |
| FS_I_FSSM | 1 | 0 | 0 | 1 | 0 | 0 | 1 | 1/0 | Write during INIT then Read only | |
| FS_I_NOT_FSSM | 1 | 0 | 0 | 1 | 0 | 1 | 0 | 1/0 | Write during INIT then Read only | |
| FS_I_SVS | 1 | 0 | 0 | 1 | 0 | 1 | 1 | 1/0 | Write during INIT then Read only | Section 11.7 |
| FS_I_NOT_SVS | 1 | 0 | 0 | 1 | 1 | 0 | 0 | 1/0 | Write during INIT then Read only | |
| FS_OVUVREG_STATUS | 1 | 0 | 1 | 0 | 0 | 0 | 1 | 1/0 | Read / Write | Section 11.8 |
| FS_SAFE_IOS | 1 | 0 | 1 | 0 | 0 | 1 | 1 | 1/0 | Read / Write | Section 11.9 |
| FS_DIAG | 1 | 0 | 1 | 0 | 1 | 0 | 0 | 1/0 | Read / Write | Section 11.10 |
| FS_INTB_MASK | 1 | 0 | 1 | 0 | 1 | 0 | 1 | 1/0 | Read / Write | Section 11.11 |
| FS_STATES | 1 | 0 | 1 | 0 | 1 | 1 | 0 | 1/0 | Read / Write | Section 11.12 |

10 Main register mapping

10.1 Main writing registers overview

Table 5. Main writing registers overview

| Logic | Register name | bit 23 | bit 22 | bit 21 | bit 20 | bit 19 | bit 18 | bit 17 | bit 16 |
|-------|---------------|---------------|-------------------|----------|---------------|-----------------|----------------|---------------|--------------|
| | | bit 15 | bit 14 | bit 13 | bit 12 | bit 11 | bit 10 | bit 9 | bit 8 |
| Main | M_FLAG | 0 | 0 | 0 | 0 | 0 | 0 | 0 | 0 |
| | | 0 | 0 | 0 | 0 | 0 | 0 | I2C_M_CRC | I2C_M_REQ |
| | M_MODE | 0 | 0 | 0 | 0 | 0 | 0 | 0 | 0 |
| | | 0 | EXT_FIN_DIS | 0 | 0 | 0 | 0 | W2DIS | W1DIS |
| | M_REG_CTRL1 | VPRE_PD_DIS | VPDIS | RESERVED | BUCK1DIS | RESERVED | BUCK3DIS | LDO1DIS | RESERVED |
| | | 0 | VPEN | RESERVED | BUCK1EN | RESERVED | BUCK3EN | LDO1EN | RESERVED |
| | M_REG_CTRL2 | RESERVED | | RESERVED | BUCK1TSDCFG | RESERVED | BUCK3TSDCFG | LDO1TSDCFG | RESERVED |
| | | 0 | 0 | 0 | VPRESRLS[1:0] | | 0 | VPRESRHS[1:0] | |
| | M_CLOCK | MOD_CONF | FOUT_MUX_SEL[3:0] | | | FOUT_PHASE[2:0] | | | |
| | | FOUT_CLK_SEL | EXT_FIN_SEL | FIN_DIV | MOD_EN | CLK_TUNE[3:0] | | | |
| | M_INT_MASK1 | 0 | VPREOC_M | 0 | BUCK1OC_M | RESERVED | BUCK3OC_M | LDO1OC_M | RESERVED |
| | | 0 | 0 | RESERVED | BUCK1TSD_M | RESERVED | BUCK3TSD_M | LDO1TSD_M | RESERVED |
| | M_INT_MASK2 | 0 | 0 | 0 | 0 | RESERVED | VBOSUVH_M | COM_M | VPRE_FB_OV_M |
| | | RESERVED | VSUPUV7 | 0 | VPREUVH | VSUPUVL_M | VSUPUVH_M | WAKE1_M | WAKE2_M |
| | M_FLAG1 | RESERVED | RESERVED | VPREOC | BUCK1OC | RESERVED | BUCK3OC | LDO1OC | RESERVED |
| | | 0 | RESERVED | RESERVED | BUCK1OT | RESERVED | BUCK3OT | LDO1OT | RESERVED |
| | M_FLAG2 | VPRE_FB_OV | VSUPUV7 | 0 | 0 | 0 | 0 | 0 | 0 |
| | | VPREUVL | VPREUVH | VSUPUVL | VSUPUVH | 0 | 0 | WK2FLG | WK1FLG |
| | M_VMON_REGX | 0 | 0 | 0 | 0 | 0 | 0 | 0 | 0 |
| | | 0 | 0 | 0 | 0 | 0 | VMON1_REG[2:0] | | |
| | M_MEMORY0 | MEMORY0[15:0] | | | | | | | |
| | M_MEMORY1 | MEMORY1[15:0] | | | | | | | |

10.2 Main reading registers overview

Table 6. Main reading registers overview

| Logic | Register name | bit 23 | bit 22 | bit 21 | bit 20 | bit 19 | bit 18 | bit 17 | bit 16 |
|-------|---------------|----------------|-------------------|-------------|---------------|-----------------|-------------|---------------|--------------|
| | | bit 15 | bit 14 | bit 13 | bit 12 | bit 11 | bit 10 | bit 9 | bit 8 |
| Main | M_FLAG | COM_ERR | WU_G | VPRE_G | RESERVED | VBUCK1_G | RESERVED | VBUCK3_G | VLDO1_G |
| | | RESERVED | 0 | 0 | 0 | 0 | 0 | I2C_M_CRC | I2C_M_REQ |
| | M_MODE | RESERVED | RESERVED | RESERVED | RESERVED | RESERVED | RESERVED | RESERVED | PLL_LOCK_RT |
| | | EXT_FIN_SEL_RT | RESERVED | MAIN_NORMAL | RESERVED | RESERVED | 0 | W2DIS | W1DIS |
| | M_REG_CTRL1 | VPRE_PD_DIS | VPDIS | RESERVED | BUCK1DIS | RESERVED | BUCK3DIS | LDO1DIS | RESERVED |
| | | 0 | VPEN | RESERVED | BUCK1EN | RESERVED | BUCK3EN | LDO1EN | RESERVED |
| | M_REG_CTRL2 | RESERVED | | RESERVED | BUCK1TSDCFG | RESERVED | BUCK3TSDCFG | LDO1TSDCFG | RESERVED |
| | | RESERVED | RESERVED | RESERVED | VPRESRLS[1:0] | | RESERVED | VPRESRHS[1:0] | |
| | M_CLOCK | MOD_CONF | FOUT_MUX_SEL[3:0] | | | FOUT_PHASE[2:0] | | | |
| | | FOUT_CLK_SEL | RESERVED | FIN_DIV | MOD_EN | CLK_TUNE[3:0] | | | |
| | M_INT_MASK1 | RESERVED | VPREOC_M | RESERVED | BUCK1OC_M | RESERVED | BUCK3OC_M | LDO1OC_M | RESERVED |
| | | RESERVED | RESERVED | RESERVED | BUCK1TSD_M | RESERVED | BUCK3TSD_M | LDO1TSD_M | RESERVED |
| | M_INT_MASK2 | RESERVED | RESERVED | RESERVED | RESERVED | RESERVED | VBOSUVH_M | COM_M | VPRE_FB_OV_M |
| | | RESERVED | VSUPUV7_M | RESERVED | VPREUVH_M | VSUPUV_M | VSUPUVH_M | WAKE1_M | WAKE2_M |

| Logic | Register name | bit 23 | bit 22 | bit 21 | bit 20 | bit 19 | bit 18 | bit 17 | bit 16 |
|-------|---------------|-----------------|----------|----------|---------------|-------------|----------------|----------|----------|
| | | bit 15 | bit 14 | bit 13 | bit 12 | bit 11 | bit 10 | bit 9 | bit 8 |
| | M_FLAG1 | VBOSUVH | RESERVED | VPREOC | BUCK10C | RESERVED | BUCK30C | LDO10C | RESERVED |
| | | CLK_FIN_DIV_OK | RESERVED | RESERVED | BUCK10T | RESERVED | BUCK30T | LDO10T | RESERVED |
| | M_FLAG2 | VPRE_FB_OV | VSUPUV7 | RESERVED | BUCK1_ST | RESERVED | BUCK3_ST | LDO1_ST | RESERVED |
| | | VPREUVL | VPREUVH | VSUPUVL | VSUPUVH | WK2RT | WK1RT | WK2FLG | WK1FLG |
| | M_VMON_REGX | RESERVED | RESERVED | RESERVED | RESERVED | RESERVED | RESERVED | RESERVED | RESERVED |
| | | RESERVED | RESERVED | RESERVED | RESERVED | RESERVED | VMON1_REG[2:0] | | |
| | M_LVB1_SVS | RESERVED | RESERVED | RESERVED | RESERVED | RESERVED | RESERVED | RESERVED | RESERVED |
| | | RESERVED | RESERVED | RESERVED | LVB1_SVS[4:0] | | | RESERVED | RESERVED |
| | M_MEMORY0 | MEMORY0[15:0] | | | | | | | |
| | M_MEMORY1 | MEMORY1[15:0] | | | | | | | |
| | M_DEVICEID | FM_REV[3:0] | | | | MM_REV[3:0] | | | |
| | | M_DEVICEID[7:0] | | | | | | | |

10.3 M_FLAG register

Table 7. M_FLAG register bit allocation

| Bit | 23 | 22 | 21 | 20 | 19 | 18 | 17 | 16 |
|-------|---------|------|--------|----------|----------|----------|----------|---------|
| Write | 0 | 0 | 0 | 0 | 0 | 0 | 0 | 0 |
| Read | COM_ERR | WU_G | VPRE_G | RESERVED | VBUCK1_G | RESERVED | VBUCK3_G | VLDO1_G |
| Reset | 0 | 1 | 1 | 0 | 0 | 0 | 0 | 0 |

| Bit | 15 | 14 | 13 | 12 | 11 | 10 | 9 | 8 |
|-------|----------|----|----|----|----|----|-----------|-----------|
| Write | 0 | 0 | 0 | 0 | 0 | 0 | I2C_M_CRC | I2C_M_REQ |
| Read | RESERVED | 0 | 0 | 0 | 0 | 0 | I2C_M_CRC | I2C_M_REQ |
| Reset | 0 | 0 | 0 | 0 | 0 | 0 | 0 | 0 |

Table 8. M_FLAG register bit description

| Bit | Symbol | Description |
|-----|---------|--|
| 23 | COM_ERR | Report an error in the Communication (I ² C) COM_ERR = I2C_M_CRC or I2C_M_REQ or FS_COM_G |
| | | 0 No failure |
| | | 1 Failure |
| | | Reset condition: Real time information - cleared when all individual bits are cleared |
| 22 | WU_G | Report a wake-up event by WAKE1 or WAKE2 WU_G = WK1FLG or WK2FLG |
| | | 0 No wake event |
| | | 1 Wake event |
| | | Reset condition: Real time information - cleared when all individual bits are cleared |
| 21 | VPRE_G | Report an event on VPRE (status change or failure) VPRE_G = VPREOC or VPREUVH or VPREUVL or VPRE_FB_OV |
| | | 0 No event |
| | | 1 Event occurred |
| | | Reset condition: Real time information - cleared when all individual bits are cleared |

| Bit | Symbol | Description |
|-----|-----------|--|
| 19 | VBUCK1_G | Report an event on BUCK1 (status change or failure) VBUCK1_G = BUCK10C or BUCK10T |
| | | 0 No event |
| | | 1 Event occurred |
| | | Reset condition: Real time information - cleared when all individual bits are cleared |
| 17 | VBUCK3_G | Report an event on BUCK3 (status change or failure) VBUCK3_G = BUCK30C or BUCK30T |
| | | 0 No event |
| | | 1 Event occurred |
| | | Reset condition: Real time information - cleared when all individual bits are cleared |
| 16 | VLDO1_G | Report an event on LDO1 (status change or failure) VLDO1_G = LDO10C or LDO10T |
| | | 0 No event |
| | | 1 Event occurred |
| | | Reset condition: Real time information |
| 9 | I2C_M_CRC | Main domain I ² C communication CRC issue |
| | | 0 No error |
| | | 1 Error detected in the I ² C CRC |
| | | Reset condition: POR / clear on write (write 1) |
| 8 | I2C_M_REQ | Invalid main domain I ² C access (wrong Write or Read, Write to INIT registers in normal mode, wrong address) |
| | | 0 No error |
| | | 1 I ² C violation |
| | | Reset condition: POR / clear on Write (write 1) |

10.4 M_MODE register

Table 9. M_MODE register bit allocation

| Bit | 23 | 22 | 21 | 20 | 19 | 18 | 17 | 16 |
|-------|----------|----------|----------|----------|----------|----------|----------|-------------|
| Write | 0 | 0 | 0 | 0 | 0 | 0 | 0 | 0 |
| Read | RESERVED | RESERVED | RESERVED | RESERVED | RESERVED | RESERVED | RESERVED | PLL_LOCK_RT |
| Reset | 0 | 0 | 0 | 0 | 0 | 0 | 0 | 0 |

| Bit | 15 | 14 | 13 | 12 | 11 | 10 | 9 | 8 |
|-------|----------------|-------------|-------------|----------|----------|-------|-------|----------|
| Write | 0 | EXT_FIN_DIS | 0 | 0 | 0 | W2DIS | W1DIS | GoToSTBY |
| Read | EXT_FIN_SEL_RT | RESERVED | MAIN_NORMAL | RESERVED | RESERVED | W2DIS | W1DIS | RESERVED |
| Reset | 0 | 0 | 1 | 0 | 0 | 0 | 0 | 0 |

Table 10. M_MODE register bit description

| Bit | Symbol | Description |
|-----|----------------|---|
| 16 | PLL_LOCK_RT | Real time status of the PPL |
| | | 0 PLL not locked |
| | | 1 PLL locked |
| | | Reset condition: POR |
| 15 | EXT_FIN_SEL_RT | Real time status of FIN clock selection |
| | | 0 Internal clock oscillator is selected |
| | | 1 External FIN clock is selected |
| | | Reset condition: POR |
| 14 | EXT_FIN_DIS | Disable request of EXT FIN selection at PLL input |
| | | 0 No effect |
| | | 1 Disable FIN selection |
| | | Reset condition: POR |
| 13 | MAIN_NORMAL | Main state machine status |
| | | 0 Main state machine is not in Normal mode |
| | | 1 Main state machine is in Normal mode |
| | | Reset condition: POR |
| 10 | W2DIS | WAKE2 wake up disable |
| | | 0 wake up enable |
| | | 1 wake up disable |
| | | Reset condition: POR |
| 9 | W1DIS | WAKE1 wake up disable |
| | | 0 Wake up enable |
| | | 1 Wake up disable |
| | | Reset condition: POR |
| 8 | GOTOSTBY | Standby mode request |
| | | 0 Device remains in current state |
| | | 1 Device enters in Standby mode |
| | | Reset condition: n.a. |

10.5 M_REG_CTRL1 register

Table 11. M_REG_CTRL1 register bit allocation

| Bit | 23 | 22 | 21 | 20 | 19 | 18 | 17 | 16 |
|--------------|-------------|----------|----------|----------|----------|----------|----------|----------|
| Write | VPRE_PD_DIS | VPDIS | 0 | BUCK1DIS | 0 | BUCK3DIS | LDO1DIS | 0 |
| Read | VPRE_PD_DIS | RESERVED | RESERVED | RESERVED | RESERVED | RESERVED | RESERVED | RESERVED |
| Reset | 0 | 0 | 0 | 0 | 0 | 0 | 0 | 0 |

| Bit | 15 | 14 | 13 | 12 | 11 | 10 | 9 | 8 |
|--------------|----------|----------|----------|----------|----------|----------|----------|----------|
| Write | 0 | VPEN | 0 | BUCK1EN | 0 | BUCK3EN | LDO1EN | 0 |
| Read | RESERVED | RESERVED | RESERVED | RESERVED | RESERVED | RESERVED | RESERVED | RESERVED |
| Reset | 0 | 0 | 0 | 0 | 0 | 0 | 0 | 0 |

Table 12. M_REG_CTRL1 register bit description

| Bit | Symbol | Description |
|-----|-------------|--|
| 23 | VPRE_PD_DIS | Force disable of VPRES pull down |
| | | 0 No effect (VPRES pull down is automatically controlled by the logic) |
| | | 1 VPRES pull down disable request |
| | | Reset condition: POR |
| 22 | VPDIS | Disable request of VPRES |
| | | 0 No effect (regulator remains in existing state) |
| | | 1 VPRES disable request |
| | | Reset condition: POR |
| 20 | BUCK1DIS | Disable request of BUCK1 |
| | | 0 No effect (regulator remains in existing state) |
| | | 1 BUCK1 disable request |
| | | Reset condition: POR |
| 18 | BUCK3DIS | Disable request of BUCK3 |
| | | 0 No effect (regulator remains in existing state) |
| | | 1 BUCK3 disable request |
| | | Reset condition: POR |
| 17 | LDO1DIS | Disable request of LDO1 |
| | | 0 No effect (regulator remains in existing state) |
| | | 1 LDO1 disable request |
| | | Reset condition: POR |
| 14 | VPEN | Enable request of VPRES |
| | | 0 No effect (regulator remains in existing state) |
| | | 1 VPRES enable request (after a VPDIS request) |
| | | Reset condition: POR |
| 12 | BUCK1EN | Enable request of BUCK1 |
| | | 0 No effect (regulator remains in existing state) |
| | | 1 BUCK1 enable request |
| | | Reset condition: POR |
| 10 | BUCK3EN | Enable request of BUCK3 |
| | | 0 No effect (regulator remains in existing state) |
| | | 1 BUCK3 enable request |
| | | Reset condition: POR |
| 9 | LDO1EN | Enable request of LDO1 |
| | | 0 No effect (regulator remains in existing state) |
| | | 1 LDO1 enable request |
| | | Reset condition: POR |

10.6 M_REG_CTRL2 register

Table 13. M_REG_CTRL2 register bit allocation

| Bit | 23 | 22 | 21 | 20 | 19 | 18 | 17 | 16 |
|-------|----------|----------|----------|--------------|----------|--------------|-------------|----------|
| Write | 0 | 0 | 0 | BUCK1T SDCFG | 0 | BUCK3T SDCFG | LDO1T SDCFG | 0 |
| Read | RESERVED | RESERVED | RESERVED | BUCK1T SDCFG | RESERVED | BUCK3T SDCFG | LDO1T SDCFG | RESERVED |
| Reset | OTP | OTP | OTP | OTP | OTP | OTP | OTP | OTP |

| Bit | 15 | 14 | 13 | 12 | 11 | 10 | 9 | 8 |
|-------|----------|----------|----------|---------------|----|----------|---------------|-----|
| Write | 0 | 0 | 0 | VPRESRLS[1:0] | | 0 | VPRESRHS[1:0] | |
| Read | RESERVED | RESERVED | RESERVED | VPRESRLS[1:0] | | RESERVED | VPRESRHS[1:0] | |
| Reset | 0 | 0 | 0 | 1 | 1 | 0 | OTP | OTP |

Table 14. M_REG_CTRL2 register bit description

| Bit | Symbol | Description |
|----------|---------------|--|
| 20 | BUCK1TSDCFG | BUCK1 behavior in case of TSD |
| | | 0 Regulator shutdown |
| | | 1 Regulator shutdown and state machine transition to DEEP-FS |
| | | Reset condition: POR |
| 18 | BUCK3TSDCFG | BUCK3 behavior in case of TSD |
| | | 0 Regulator shutdown |
| | | 1 Regulator shutdown and state machine transition to DEEP-FS |
| | | Reset condition: POR |
| 17 | LDO1TSDCFG | LDO1 behavior in case of TSD |
| | | 0 Regulator shutdown |
| | | 1 Regulator shutdown and state machine transition to DEEP-FS |
| | | Reset condition: POR |
| 12 to 11 | VPRESRLS[1:0] | VPRE low-side slew rate control |
| | | 00 130 mA typical drive capability - slow |
| | | 01 260 mA typical drive capability - medium |
| | | 10 520 mA typical drive capability - fast |
| | | 11 900 mA typical drive capability - ultra fast |
| | | Reset condition: POR |
| 9 to 8 | VPRESRHS[1:0] | VPRE high-side slew rate control |
| | | 00 130 mA typical drive capability - slow |
| | | 01 260 mA typical drive capability - medium |
| | | 10 520 mA typical drive capability - fast |
| | | 11 900 mA typical drive capability - ultra fast |
| | | Reset condition: POR |

10.7 M_CLOCK register

Table 15. M_CLOCK register bit allocation

| Bit | 23 | 22 | 21 | 20 | 19 | 18 | 17 | 16 |
|-------|----------|-------------------|----|----|----|-----------------|----|----|
| Write | MOD_CONF | FOUT_MUX_SEL[3:0] | | | | FOUT_PHASE[2:0] | | |
| Read | MOD_CONF | FOUT_MUX_SEL[3:0] | | | | FOUT_PHASE[2:0] | | |
| Reset | 0 | 0 | 0 | 0 | 0 | 0 | 0 | 0 |

| Bit | 15 | 14 | 13 | 12 | 11 | 10 | 9 | 8 |
|-------|--------------|-------------|---------|--------|---------------|----|---|---|
| Write | FOUT_CLK_SEL | EXT_FIN_SEL | FIN_DIV | MOD_EN | CLK_TUNE[3:0] | | | |
| Read | FOUT_CLK_SEL | RESERVED | FIN_DIV | MOD_EN | CLK_TUNE[3:0] | | | |
| Reset | 0 | 0 | 0 | 0 | 0 | 0 | 0 | 0 |

Table 16. M_CLOCK register bit description

| Bit | Symbol | Description |
|----------------------|-------------------|--|
| 23 | MOD_CONF | Modulation configuration of main oscillator |
| | | 0 range $\pm 5\%$ 23 kHz |
| | | 1 range $\pm 5\%$ 94 kHz |
| | | Reset condition: POR |
| 22 to 19 | FOUT_MUX_SEL[3:0] | See Table 68 |
| 18 to 16 | FOUT_PHASE[2:0] | FOUT phase shifting configuration (see Section 18.2 "Phase shifting") |
| | | 000 No shift |
| | | 001 Shifted by 1 clock cycle of CLK running at 20 MHz |
| | | 010 Shifted by 2 clock cycle of CLK running at 20 MHz |
| | | 011 Shifted by 3 clock cycle of CLK running at 20 MHz |
| | | 100 Shifted by 4 clock cycle of CLK running at 20 MHz |
| | | 101 Shifted by 5 clock cycle of CLK running at 20 MHz |
| | | 110 Shifted by 6 clock cycle of CLK running at 20 MHz |
| | | 111 Shifted by 7 clock cycle of CLK running at 20 MHz |
| Reset condition: POR | | |
| 15 | FOUT_CLK_SEL | FOUT_clk frequency selection (CLK1 or CLK2) |
| | | 0 FOUT_clk = CLK1 |
| | | 1 FOUT_clk = CLK2 |
| | | Reset condition: POR |
| 14 | EXT_FIN_SEL | Enable request of EXT FIN selection at PLL input |
| | | 0 No effect |
| | | 1 FIN selection request |
| | | Reset condition: POR |

| Bit | Symbol | Description |
|---------|---------------|--|
| 13 | FIN_DIV | FIN input signal divider selection |
| | | 0 Divider by 1 |
| | | 1 Divider by 6 |
| | | Reset condition: POR |
| 12 | MOD_EN | Modulation activation of main oscillator |
| | | 0 Modulation disabled |
| | | 1 Modulation enabled |
| | | Reset condition: POR |
| 11 to 8 | CLK_TUNE[3:0] | See Table 67 |

10.8 M_INT_MASK1 register

Table 17. M_INT_MASK1 register bit allocation

| Bit | 23 | 22 | 21 | 20 | 19 | 18 | 17 | 16 |
|--------------|----------|----------|----------|-----------|----------|-----------|----------|----------|
| Write | 0 | VPREOC_M | 0 | BUCK1OC_M | 0 | BUCK3OC_M | LDO1OC_M | 0 |
| Read | RESERVED | VPREOC_M | RESERVED | BUCK1OC_M | RESERVED | BUCK3OC_M | LDO1OC_M | RESERVED |
| Reset | 0 | 0 | 0 | 0 | 0 | 0 | 0 | 0 |

| Bit | 15 | 14 | 13 | 12 | 11 | 10 | 9 | 8 |
|--------------|----------|----------|----------|------------|----------|------------|-----------|----------|
| Write | 0 | 0 | 0 | BUCK1TSD_M | 0 | BUCK3TSD_M | LDO1TSD_M | 0 |
| Read | RESERVED | RESERVED | RESERVED | BUCK1TSD_M | RESERVED | BUCK3TSD_M | LDO1TSD_M | RESERVED |
| Reset | 0 | 0 | 0 | 0 | 0 | 0 | 0 | 0 |

Table 18. M_INT_MASK1 register bit description

| Bit | Symbol | Description |
|-----|-----------|---|
| 22 | VPREOC_M | Inhibit INTERRUPT for VPRE overcurrent |
| | | 0 INT not masked |
| | | 1 INT masked |
| | | Reset condition: POR |
| 20 | BUCK1OC_M | Inhibit INTERRUPT for BUCK1 overcurrent |
| | | 0 INT not masked |
| | | 1 INT masked |
| | | Reset condition: POR |
| 18 | BUCK3OC_M | Inhibit INTERRUPT for BUCK3 overcurrent |
| | | 0 INT not masked |
| | | 1 INT masked |
| | | Reset condition: POR |

| Bit | Symbol | Description |
|-----|------------|--|
| 17 | LDO1OC_M | Inhibit INTERRUPT for LDO1 overcurrent |
| | | 0 INT not masked |
| | | 1 INT masked |
| | | Reset condition: POR |
| 12 | BUCK1TSD_M | Inhibit INTERRUPT for BUCK1 overtemperature shutdown event |
| | | 0 INT not masked |
| | | 1 INT masked |
| | | Reset condition: POR |
| 10 | BUCK3TSD_M | Inhibit INTERRUPT for BUCK3 overtemperature shutdown event |
| | | 0 INT not masked |
| | | 1 INT masked |
| | | Reset condition: POR |
| 9 | LDO1TSD_M | Inhibit INTERRUPT for LDO1 overtemperature shutdown event |
| | | 0 INT not masked |
| | | 1 INT masked |
| | | Reset condition: POR |

10.9 M_INT_MASK2 register

Table 19. M_INT_MASK2 register bit allocation

| Bit | 23 | 22 | 21 | 20 | 19 | 18 | 17 | 16 |
|-------|----------|----------|----------|----------|----------|-----------|-------|--------------|
| Write | 0 | 0 | 0 | 0 | 0 | VBOSUVH_M | COM_M | VPRE_FB_OV_M |
| Read | RESERVED | RESERVED | RESERVED | RESERVED | RESERVED | VBOSUVH_M | COM_M | VPRE_FB_OV_M |
| Reset | 0 | 0 | 0 | 0 | 0 | 0 | 0 | 0 |

| Bit | 15 | 14 | 13 | 12 | 11 | 10 | 9 | 8 |
|-------|----------|-----------|----------|-----------|-----------|-----------|---------|---------|
| Write | 0 | VSUPUV7_M | 0 | VPREUVH_M | VSUPUVL_M | VSUPUVH_M | WAKE1_M | WAKE2_M |
| Read | RESERVED | VSUPUV7_M | RESERVED | VPREUVH_M | VSUPUVL_M | VSUPUVH_M | WAKE1_M | WAKE2_M |
| Reset | 0 | 0 | 0 | 0 | 0 | 0 | 0 | 0 |

Table 20. M_INT_MASK2 register bit description

| Bit | Symbol | Description |
|-----|-----------|---|
| 18 | VBOSUVH_M | Inhibit INTERRUPT for VBOS_UVH any transition |
| | | 0 INT not masked |
| | | 1 INT masked |
| | | Reset condition: POR |

| Bit | Symbol | Description |
|-----|--------------|--|
| 17 | COM_M | Inhibit INTERRUPT for COM any transition |
| | | 0 INT not masked |
| | | 1 INT masked |
| | | Reset condition: POR |
| 16 | VPRE_FB_OV_M | Inhibit INTERRUPT for VPRE_FB_OV |
| | | 0 INT not masked |
| | | 1 INT masked |
| | | Reset condition: POR |
| 14 | VSUPUV7_M | Inhibit INTERRUPT for VSUP_UV7 |
| | | 0 INT not masked |
| | | 1 INT masked |
| | | Reset condition: POR |
| 12 | VREUVH_M | Inhibit INTERRUPT for VSUP_UVH |
| | | 0 INT not masked |
| | | 1 INT masked |
| | | Reset condition: POR |
| 11 | VSUPUVL_M | Inhibit INTERRUPT for VSUP_UVL |
| | | 0 INT not masked |
| | | 1 INT masked |
| | | Reset condition: POR |
| 10 | VSUPUVH_M | Inhibit INTERRUPT for VPRE_UVH |
| | | 0 INT not masked |
| | | 1 INT masked |
| | | Reset condition: POR |
| 9 | WAKE1_M | Inhibit INTERRUPT for WAKE1 any transition |
| | | 0 INT not masked |
| | | 1 INT masked |
| | | Reset condition: POR |
| 8 | WAKE2_M | Inhibit INTERRUPT for WAKE2 any transition |
| | | 0 INT not masked |
| | | 1 INT masked |
| | | Reset condition: POR |

10.10 M_FLAG1 register

Table 21. M_FLAG1 register bit allocation

| Bit | 23 | 22 | 21 | 20 | 19 | 18 | 17 | 16 |
|-------|---------|----------|--------|---------|----------|---------|--------|----------|
| Write | VBOSUVH | 0 | VPREOC | BUCK1OC | 0 | BUCK3OC | LDO1OC | 0 |
| Read | VBOSUVH | RESERVED | VPREOC | BUCK1OC | RESERVED | BUCK3OC | LDO1OC | RESERVED |
| Reset | 1 | 1 | 0 | 0 | 0 | 0 | 0 | 0 |

| Bit | 15 | 14 | 13 | 12 | 11 | 10 | 9 | 8 |
|-------|----------------|----------|----------|---------|----------|---------|--------|----------|
| Write | 0 | 0 | 0 | BUCK1OT | 0 | BUCK3OT | LDO1OT | 0 |
| Read | CLK_FIN_DIV_OK | RESERVED | RESERVED | BUCK1OT | RESERVED | BUCK3OT | LDO1OT | RESERVED |
| Reset | 0 | 0 | 0 | 0 | 0 | 0 | 0 | 0 |

Table 22. M_FLAG1 register bit description

| Bit | Symbol | Description |
|-----|----------------|--|
| 23 | VBOSUVH | VBOS undervoltage high event (falling) |
| | | 0 No event |
| | | 1 Event occurred |
| | | Reset condition: POR / Clear on Write (write 1) |
| 21 | VPREOC | VPRE overcurrent event |
| | | 0 No event |
| | | 1 Event occurred |
| | | Reset condition: POR / Clear on Write (write 1) |
| 20 | BUCK1OC | BUCK1 overcurrent event |
| | | 0 No event |
| | | 1 Event occurred |
| | | Reset condition: POR / Clear on Write (write 1) |
| 18 | BUCK3OC | BUCK3 overcurrent |
| | | 0 No event |
| | | 1 Event occurred |
| | | Reset condition: POR / Clear on Write (write 1) |
| 17 | LDO1OC | LDO1 overcurrent |
| | | 0 No event |
| | | 1 Event occurred |
| | | Reset condition: POR / Clear on Write (write 1) |
| 15 | CLK_FIN_DIV_OK | CLK_FIN_DIV monitoring |
| | | 0 Not OK: $FIN_{ERR_LONG} < CLK_FIN_DIV \text{ deviation} < FIN_{ERR_SHORT}$ |
| | | 1 OK: $FIN_{ERR_SHORT} < CLK_FIN_DIV \text{ deviation} < FIN_{ERR_LONG}$ |
| | | Reset condition: Real time information |
| 12 | BUCK1OT | BUCK1 overtemperature shutdown event |
| | | 0 No event |
| | | 1 Event occurred |
| | | Reset condition: POR / Clear on Write (write 1) |
| 10 | BUCK3OT | BUCK3 overtemperature shutdown event |
| | | 0 No event |
| | | 1 Event occurred |
| | | Reset condition: POR / Clear on Write (write 1) |

| Bit | Symbol | Description |
|-----|--------|---|
| 9 | LDO1OT | LDO1 overtemperature shutdown event |
| | | 0 No event |
| | | 1 Event occurred |
| | | Reset condition: POR / Clear on Write (write 1) |

10.11 M_FLAG2 register

Table 23. M_FLAG2 register bit allocation

| Bit | 23 | 22 | 21 | 20 | 19 | 18 | 17 | 16 |
|-------|------------|---------|----------|----------|----------|----------|---------|----------|
| Write | VPRE_FB_OV | VSUPUV7 | 0 | 0 | 0 | 0 | 0 | 0 |
| Read | VPRE_FB_OV | VSUPUV7 | RESERVED | BUCK1_ST | RESERVED | BUCK3_ST | LDO1_ST | RESERVED |
| Reset | 0 | 1 | 1 | 1 | 1 | 1 | 1 | 1 |

| Bit | 15 | 14 | 13 | 12 | 11 | 10 | 9 | 8 |
|-------|---------|---------|---------|---------|-------|-------|--------|--------|
| Write | VPREUVL | VPREUVH | VSUPUVL | VSUPUVH | 0 | 0 | WK2FLG | WK1FLG |
| Read | VPREUVL | VPREUVH | VSUPUVL | VSUPUVH | WK2RT | WK1RT | WK2FLG | WK1FLG |
| Reset | 1 | 1 | 1 | 1 | 0 | 1 | 0 | 1 |

Note: Reset value for FS5502, wake up by Wake1, all regulators started by default during power up sequence.

Table 24. M_FLAG2 register bit description

| Bit | Symbol | Description |
|-----|------------|---|
| 23 | VPRE_FB_OV | VPRE_FB_OV event |
| | | 0 No event |
| | | 1 Event occurred |
| | | Reset condition: POR / Clear on Write (write 1) |
| 22 | VSUPUV7 | VSUP_UV7 event |
| | | 0 No event |
| | | 1 Event occurred |
| | | Reset condition: POR / Clear on Write (write 1) |
| 20 | BUCK1_ST | BUCK1 state |
| | | 0 Regulator OFF |
| | | 1 Regulator ON |
| | | Reset condition: Real time information |
| 18 | BUCK3_ST | BUCK3 state |
| | | 0 Regulator OFF |
| | | 1 Regulator ON |
| | | Reset condition: Real time information |

| Bit | Symbol | Description |
|-----|---------|---|
| 17 | LDO1_ST | LDO1 state |
| | | 0 regulator OFF |
| | | 1 regulator ON |
| | | Reset condition: Real time information |
| 15 | VPREUVL | VPRE_UVL event |
| | | 0 No event |
| | | 1 Event occurred |
| | | Reset condition: POR / Clear on Write (write 1) |
| 14 | VPREUVH | VPRE_UVH event |
| | | 0 No event |
| | | 1 Event occurred |
| | | Reset condition: POR / Clear on Write (write 1) |
| 13 | VSUPUVL | VSUP_UVL event |
| | | 0 No event |
| | | 1 Event occurred |
| | | Reset condition: POR / Clear on Write (write 1) |
| 12 | VSUPUVH | VSUP_UVH event |
| | | 0 No event |
| | | 1 Event occurred |
| | | Reset condition: POR / Clear on Write (write 1) |
| 11 | WK2RT | Report event: WAKE2 real time state |
| | | 0 WAKE2 is low level |
| | | 1 WAKE2 is high |
| | | Reset condition: Real time information |
| 10 | WK1RT | Report event: WAKE1 real time state |
| | | 0 WAKE1 is low level |
| | | 1 WAKE1 is high |
| | | Reset condition: Real time information |
| 9 | WK2FLG | WAKE2 wake up source flag |
| | | 0 No event |
| | | 1 Event occurred |
| | | Reset condition: POR / Clear on Write (write 1) |
| 8 | WK1FLG | WAKE1 wake up source flag |
| | | 0 No event |
| | | 1 Event occurred |
| | | Reset condition: POR / Clear on Write (write 1) |

10.12 M_VMON_REGx register

Table 25. M_VMON_REGx register bit allocation

| Bit | 23 | 22 | 21 | 20 | 19 | 18 | 17 | 16 |
|-------|----------|----------|----------|----------|----------|----------|----------|----------|
| Write | 0 | 0 | 0 | 0 | 0 | 0 | 0 | 0 |
| Read | RESERVED | RESERVED | RESERVED | RESERVED | RESERVED | RESERVED | RESERVED | RESERVED |
| Reset | 0 | 0 | 0 | 0 | 0 | 0 | 0 | 0 |

| Bit | 15 | 14 | 13 | 12 | 11 | 10 | 9 | 8 |
|-------|----------|----------|----------|----------|----------|----------------|---|---|
| Write | 0 | 0 | 0 | 0 | 0 | VMON1_REG[2:0] | | |
| Read | RESERVED | RESERVED | RESERVED | RESERVED | RESERVED | VMON1_REG[2:0] | | |
| Reset | 0 | 0 | 0 | 0 | 0 | 0 | 0 | 0 |

Table 26. M_VMON_REGx register bit description

| Bit | Symbol | Description |
|---------|----------------|-------------------------------|
| 10 to 8 | VMON1_REG[2:0] | Regulator assignment to VMON1 |
| | | 000 External regulator |
| | | 001 VPRE |
| | | 010 LDO1 |
| | | 011 RESERVED |
| | | 100 RESERVED |
| | | 101 BUCK3 |
| | | 11x External regulator |
| | | Reset condition: POR |

10.13 M_LVB1_SVS register

Table 27. M_LVB1_SVS register bit allocation

| Bit | 23 | 22 | 21 | 20 | 19 | 18 | 17 | 16 |
|-------|----------|----------|----------|----------|----------|----------|----------|----------|
| Read | RESERVED | RESERVED | RESERVED | RESERVED | RESERVED | RESERVED | RESERVED | RESERVED |
| Reset | 0 | 0 | 0 | 0 | 0 | 0 | 0 | 0 |

| Bit | 15 | 14 | 13 | 12 | 11 | 10 | 9 | 8 |
|-------|----------|----------|----------|---------------|----|----|---|---|
| Read | RESERVED | RESERVED | RESERVED | LVB1_SVS[4:0] | | | | |
| Reset | 0 | 0 | 0 | 0 | 0 | 0 | 0 | 0 |

Table 28. M_LVB1_SVS register bit description

| Bit | Symbol | Description |
|---------------|---------------|--|
| 12 to 8 | LVB1_SVS[4:0] | Static voltage scaling negative offset |
| | | 00000 0 mV |
| | | 00001 -6.25 mV |
| | | 00010 -12.50 mV |
| | | 00011 -18.75 mV |
| | | 00100 -25 mV |
| | | 00101 -31.25 mV |
| | | 00110 -37.5 mV |
| | | 00111 -43.75 mV |
| | | 01000 -50 mV |
| | | 01001 -56.25 mV |
| | | 01010 -62.5 mV |
| | | 01011 -68.75 mV |
| | | 01100 -75 mV |
| | | 01101 -81.25 mV |
| | | 01110 -87.5 mV |
| | | 01111 -93.75 mV |
| 10000 -100 mV | | |
| | | Reset condition: POR |

10.14 M_MEMORY0 register

Table 29. M_MEMORY0 register bit allocation

| Bit | 23 | 22 | 21 | 20 | 19 | 18 | 17 | 16 |
|-------|---------------|----|----|----|----|----|----|----|
| Write | MEMORY0[15:8] | | | | | | | |
| Read | MEMORY0[15:8] | | | | | | | |
| Reset | 0 | 0 | 0 | 0 | 0 | 0 | 0 | 0 |

| Bit | 15 | 14 | 13 | 12 | 11 | 10 | 9 | 8 |
|-------|--------------|----|----|----|----|----|---|---|
| Write | MEMORY0[7:0] | | | | | | | |
| Read | MEMORY0[7:0] | | | | | | | |
| Reset | 0 | 0 | 0 | 0 | 0 | 0 | 0 | 0 |

Table 30. M_MEMORY0 register bit description

| Bit | Symbol | Description |
|---------|---------------|------------------------------------|
| 23 to 8 | MEMORY0[15:0] | Free memory field for data storage |
| | | 0... 16 bits free memory |
| | | ...1 |
| | | Reset condition: POR |

10.15 M_MEMORY1 register

Table 31. M_MEMORY1 register bit allocation

| Bit | 23 | 22 | 21 | 20 | 19 | 18 | 17 | 16 |
|-------|---------------|----|----|----|----|----|----|----|
| Write | MEMORY1[15:0] | | | | | | | |
| Read | MEMORY1[15:0] | | | | | | | |
| Reset | 0 | 0 | 0 | 0 | 0 | 0 | 0 | 0 |

| Bit | 15 | 14 | 13 | 12 | 11 | 10 | 9 | 8 |
|-------|---------------|----|----|----|----|----|---|---|
| Write | MEMORY1[15:0] | | | | | | | |
| Read | MEMORY1[15:0] | | | | | | | |
| Reset | 0 | 0 | 0 | 0 | 0 | 0 | 0 | 0 |

Table 32. M_MEMORY1 register bit description

| Bit | Symbol | Description |
|---------|---------------|--|
| 23 to 8 | MEMORY1[15:0] | Free memory field for data storage 0... 16 bits free memory ...1 Reset condition: POR |

10.16 M_DEVICEID register

Table 33. M_DEVICEID register bit allocation

| Bit | 23 | 22 | 21 | 20 | 19 | 18 | 17 | 16 |
|-------|------------|----|----|----|------------|----|----|----|
| Read | FMREV[3:0] | | | | MMREV[3:0] | | | |
| Reset | 0 | 0 | 1 | 1 | 0 | 0 | 0 | 0 |

| Bit | 15 | 14 | 13 | 12 | 11 | 10 | 9 | 8 |
|-------|---------------|----|----|----|----|----|---|---|
| Read | DEVICEID[7:0] | | | | | | | |
| Reset | 0 | 0 | 0 | 0 | 0 | 0 | 0 | 0 |

Table 34. M_DEVICEID register bit description

| Bit | Symbol | Description |
|----------|---------------|--|
| 23 to 20 | FMREV[3:0] | Full mask revision Full mask revision configured by metal connection Reset condition: POR |
| 19 to 16 | MMREV[3:0] | Metal mask revision Full mask revision configured by metal connection Reset condition: POR |
| 15 to 8 | DEVICEID[7:0] | Device ID x...x Device ID from OTP_DEVICEID[7:0] bits Reset condition: POR |

11 Fail-safe register mapping

11.1 Fail-safe writing registers overview

Table 35. Fail-safe writing registers overview

| Logic | Register name | bit 23 | bit 22 | bit 21 | bit 20 | bit 19 | bit 18 | bit 17 | bit 16 |
|--------------|--------------------------|----------------------------|---------------------|----------------------------|-------------|-------------------------|---------------|-------------------------|-----------|
| | | bit 15 | bit 14 | bit 13 | bit 12 | bit 11 | bit 10 | bit 9 | bit 8 |
| Fail-safe | FS_I_OVUV_SAFE_REACTION1 | VCOREMON_OV_FS_IMPACT[1:0] | | VCOREMON_UV_FS_IMPACT[1:0] | | 0 | RESERVED | RESERVED | RESERVED |
| | | RESERVED | RESERVED | RESERVED | 0 | VDDIO_OV_FS_IMPACT[1:0] | | VDDIO_UV_FS_IMPACT[1:0] | |
| | FS_I_OVUV_SAFE_REACTION2 | RESERVED | RESERVED | RESERVED | RESERVED | RESERVED | RESERVED | RESERVED | RESERVED |
| | | RESERVED | RESERVED | RESERVED | RESERVED | VMON1_OV_FS_IMPACT[1:0] | | VMON1_UV_FS_IMPACT[1:0] | |
| | FS_I_FSSM | FLT_ERR_CNT_LIMIT[1:0] | | 0 | RESERVED | RESERVED | 0 | RSTB_DUR | 0 |
| | | RESERVED | 0 | RESERVED | DIS_8s | 0 | 0 | 0 | 0 |
| | FS_I_SVS | SVS_OFFSET[4:0] | | | | | 0 | 0 | 0 |
| | | 0 | 0 | 0 | 0 | 0 | 0 | 0 | 0 |
| | FS_OVUVREG_STATUS | VCOREMON_OV | VCOREMON_UV | VDDIO_OV | VDDIO_UV | RESERVED | RESERVED | RESERVED | RESERVED |
| | | RESERVED | RESERVED | VMON1_OV | VMON1_UV | 0 | FS_DIG_REF_OV | FS_OSC_DRIFT | 0 |
| | FS_RELEASE_FS0B | RELEASE_FS0B[15:8] | | | | | | | |
| | | RELEASE_FS0B[7:0] | | | | | | | |
| | FS_SAFE_IOS | PGOOD_DIAG | PGOOD_EVENT | 0 | EXT_RSTB | 0 | 0 | RSTB_EVENT | RSTB_DIAG |
| | | RSTB_REQ | 0 | 0 | 0 | 0 | 0 | 0 | 0 |
| | FS_DIAG | RESERVED | RESERVED | RESERVED | RESERVED | RESERVED | RESERVED | RESERVED | RESERVED |
| | | RESERVED | RESERVED | RESERVED | RESERVED | RESERVED | I2C_FS_CRC | I2C_FS_REQ | RESERVED |
| FS_INTB_MASK | 0 | 0 | 0 | 0 | 0 | 0 | RESERVED | RESERVED | |
| | RESERVED | INT_INH_VMON1_OV_UV | INT_INH_VDDIO_OV_UV | INT_INH_VCOREMON_OV_UV | RESERVED | RESERVED | RESERVED | RESERVED | |
| FS_STATES | 0 | DBG_EXIT | 0 | 0 | OTP_CORRUPT | 0 | REG_CORRUPT | 0 | |
| | 0 | 0 | 0 | 0 | 0 | 0 | 0 | 0 | |

11.2 Fail-safe reading registers overview

Table 36. Fail-safe reading registers overview

| Logic | Register name | bit 23 | bit 22 | bit 21 | bit 20 | bit 19 | bit 18 | bit 17 | bit 16 |
|-----------|--------------------------|----------------------------|---------------------|----------------------------|------------------------|-------------------------|---------------|-------------------------|-----------|
| | | bit 15 | bit 14 | bit 13 | bit 12 | bit 11 | bit 10 | bit 9 | bit 8 |
| Fail-safe | FS_GRL_FLAGS | FS_COM_G | RESERVED | FS_IO_G | FS_REG_OVUV_G | RESERVED | RESERVED | RESERVED | RESERVED |
| | | RESERVED | RESERVED | RESERVED | RESERVED | RESERVED | RESERVED | RESERVED | RESERVED |
| | FS_I_OVUV_SAFE_REACTION1 | VCOREMON_OV_FS_IMPACT[1:0] | | VCOREMON_UV_FS_IMPACT[1:0] | | RESERVED | RESERVED | RESERVED | RESERVED |
| | | RESERVED | RESERVED | RESERVED | RESERVED | VDDIO_OV_FS_IMPACT[1:0] | | VDDIO_UV_FS_IMPACT[1:0] | |
| | FS_I_OVUV_SAFE_REACTION2 | RESERVED | RESERVED | RESERVED | RESERVED | RESERVED | RESERVED | RESERVED | RESERVED |
| | | RESERVED | RESERVED | RESERVED | RESERVED | VMON1_OV_FS_IMPACT[1:0] | | VMON1_UV_FS_IMPACT[1:0] | |
| | FS_I_FSSM | FLT_ERR_CNT_LIMIT[1:0] | | RESERVED | RESERVED | RESERVED | RESERVED | RSTB_DUR | RESERVED |
| | | RESERVED | RESERVED | RESERVED | DIS_8s | FLT_ERR_CNT[3:0] | | | |
| | FS_I_SVS | SVS_OFFSET[4:0] | | | | | RESERVED | RESERVED | RESERVED |
| | | RESERVED | RESERVED | RESERVED | RESERVED | RESERVED | RESERVED | RESERVED | RESERVED |
| | FS_OVUVREG_STATUS | VCOREMON_OV | VCOREMON_UV | VDDIO_OV | VDDIO_UV | RESERVED | RESERVED | RESERVED | RESERVED |
| | | RESERVED | RESERVED | VMON1_OV | VMON1_UV | RESERVED | FS_DIG_REF_OV | FS_OSC_DRIFT | RESERVED |
| | FS_SAFE_IOS | PGOOD_DIAG | PGOOD_EVENT | PGOOD_SNS | EXT_RSTB | RSTB_DRV | RSTB_SNS | RSTB_EVENT | RSTB_DIAG |
| | | RESERVED | RESERVED | RESERVED | RESERVED | RESERVED | RESERVED | RESERVED | RESERVED |
| | FS_DIAG | RESERVED | RESERVED | RESERVED | RESERVED | ERRMON | RESERVED | RESERVED | RESERVED |
| | | RESERVED | RESERVED | RESERVED | RESERVED | RESERVED | I2C_FS_CRC | I2C_FS_REQ | RESERVED |
| | FS_INTB_MASK | RESERVED | RESERVED | RESERVED | RESERVED | RESERVED | RESERVED | RESERVED | RESERVED |
| | | RESERVED | INT_INH_VMON1_OV_UV | INT_INH_VDDIO_OV_UV | INT_INH_VCOREMON_OV_UV | RESERVED | RESERVED | RESERVED | RESERVED |
| | FS_STATES | RESERVED | RESERVED | DBG_MODE | RESERVED | OTP_CORRUPT | RESERVED | REG_CORRUPT | RESERVED |
| | | RESERVED | RESERVED | RESERVED | FSM_STATE[4:0] | | | | |

11.3 FS_GRL_FLAGS register

Table 37. FS_GRL_FLAGS register bit allocation

| Bit | 23 | 22 | 21 | 20 | 19 | 18 | 17 | 16 |
|-------|----------|----------|---------|---------------|----------|----------|----------|----------|
| Read | FS_COM_G | RESERVED | FS_IO_G | FS_REG_OVUV_G | RESERVED | RESERVED | RESERVED | RESERVED |
| Reset | 0 | 0 | 0 | 1 | 0 | 0 | 0 | 0 |

| Bit | 15 | 14 | 13 | 12 | 11 | 10 | 9 | 8 |
|-------|----------|----------|----------|----------|----------|----------|----------|----------|
| Read | RESERVED | RESERVED | RESERVED | RESERVED | RESERVED | RESERVED | RESERVED | RESERVED |
| Reset | 0 | 0 | 0 | 0 | 0 | 0 | 0 | 0 |

Table 38. FS_GRL_FLAGS register bit description

| Bit | Symbol | Description |
|-----|---------------|--|
| 23 | FS_COM_G | Report an issue in the communication (I2C) FS_COM_G = I2C_FS_CRC or I2C_FS_REQ |
| | | 0 No failure |
| | | 1 Failure |
| | | Reset condition: Real time information - cleared when all individual bits are cleared |
| 21 | FS_IO_G | Report an issue in one of the fail-safe IOs FS_IO_G = PGOOD_DIAG or RSTB_DIAG |
| | | 0 No failure |
| | | 1 Failure |
| | | Reset condition: real time information - cleared when all individual bits are cleared |
| 20 | FS_REG_OVUV_G | Report an issue in one of the voltage monitoring (OV or UV) FS_REG_OVUV_G = VCOREMON_OV or VCOREMON_UV or VDDIO_OV or VDDIO_UV or VMON1_OV or VMON1_UV |
| | | 0 No failure |
| | | 1 Failure |
| | | Reset condition: real time information - cleared when all individual bits are cleared |

11.4 FS_I_OVUV_SAFE_REACTION1 register

Table 39. FS_I_OVUV_SAFE_REACTION1 register bit allocation

| Bit | 23 | 22 | 21 | 20 | 19 | 18 | 17 | 16 |
|-------|----------------------------|----|----------------------------|----|----------|----------|----------|----------|
| Write | VCOREMON_OV_FS_IMPACT[1:0] | | VCOREMON_UV_FS_IMPACT[1:0] | | 0 | RESERVED | RESERVED | RESERVED |
| Read | VCOREMON_OV_FS_IMPACT[1:0] | | VCOREMON_UV_FS_IMPACT[1:0] | | RESERVED | RESERVED | RESERVED | RESERVED |
| Reset | 1 | 1 | 0 | 1 | 0 | 0 | 0 | 0 |

| Bit | 15 | 14 | 13 | 12 | 11 | 10 | 9 | 8 |
|-------|----------|----------|----------|----------|-------------------------|----|-------------------------|---|
| Write | RESERVED | RESERVED | RESERVED | 0 | VDDIO_OV_FS_IMPACT[1:0] | | VDDIO_UV_FS_IMPACT[1:0] | |
| Read | RESERVED | RESERVED | RESERVED | RESERVED | VDDIO_OV_FS_IMPACT[1:0] | | VDDIO_UV_FS_IMPACT[1:0] | |
| Reset | 0 | 0 | 0 | 0 | 1 | 1 | 0 | 1 |

Table 40. FS_I_OVUV_SAFE_REACTION1 register bit description

| Bit | Symbol | Description |
|----------|----------------------------|--------------------------|
| 23 to 22 | VCOREMON_OV_FS_IMPACT[1:0] | Table 81 |
| 21 to 20 | VCOREMON_UV_FS_IMPACT[1:0] | Table 81 |
| 11 to 10 | VDDIO_OV_FS_IMPACT[1:0] | Table 84 |
| 9 to 8 | VDDIO_UV_FS_IMPACT[1:0] | Table 84 |

11.5 FS_I_OVUV_SAFE_REACTION2 register

Table 41. FS_I_OVUV_SAFE_REACTION2 register bit allocation

| Bit | 23 | 22 | 21 | 20 | 19 | 18 | 17 | 16 |
|-------|----------|----------|----------|----------|----------|----------|----------|----------|
| Write | RESERVED | RESERVED | RESERVED | RESERVED | RESERVED | RESERVED | RESERVED | RESERVED |
| Read | RESERVED | RESERVED | RESERVED | RESERVED | RESERVED | RESERVED | RESERVED | RESERVED |
| Reset | 1 | 1 | 0 | 1 | 1 | 1 | 0 | 1 |

| Bit | 15 | 14 | 13 | 12 | 11 | 10 | 9 | 8 |
|-------|----------|----------|----------|----------|-------------------------|----|-------------------------|---|
| Write | RESERVED | RESERVED | RESERVED | RESERVED | VMON1_OV_FS_IMPACT[1:0] | | VMON1_UV_FS_IMPACT[1:0] | |
| Read | RESERVED | RESERVED | RESERVED | RESERVED | VMON1_OV_FS_IMPACT[1:0] | | VMON1_UV_FS_IMPACT[1:0] | |
| Reset | 1 | 1 | 0 | 1 | 1 | 1 | 0 | 1 |

Table 42. FS_I_OVUV_SAFE_REACTION2 register bit description

| Bit | Symbol | Description |
|----------|-------------------------|------------------------------|
| 11 to 10 | VMON1_OV_FS_IMPACT[1:0] | See Table 86 |
| 9 to 8 | VMON1_UV_FS_IMPACT[1:0] | |

11.6 FS_I_FSSM register

Table 43. FS_I_FSSM register bit allocation

| Bit | 23 | 22 | 21 | 20 | 19 | 18 | 17 | 16 |
|-------|------------------------|----|----------|----------|----------|----------|----------|----------|
| Write | FLT_ERR_CNT_LIMIT[1:0] | | 0 | RESERVED | RESERVED | 0 | RSTB_DUR | 0 |
| Read | FLT_ERR_CNT_LIMIT[1:0] | | RESERVED | RESERVED | RESERVED | RESERVED | RSTB_DUR | RESERVED |
| Reset | 0 | 1 | 0 | 1 | 0 | 0 | 0 | 0 |

| Bit | 15 | 14 | 13 | 12 | 11 | 10 | 9 | 8 |
|-------|----------|----------|----------|--------|------------------|----|---|---|
| Write | RESERVED | 0 | RESERVED | DIS_8s | 0 | 0 | 0 | 0 |
| Read | RESERVED | RESERVED | RESERVED | DIS_8s | FLT_ERR_CNT[3:0] | | | |
| Reset | 1 | 0 | 0 | 0 | 0 | 0 | 0 | 1 |

Table 44. FS_I_FSSM register bit description

| Bit | Symbol | Description |
|----------|------------------------|-----------------------------------|
| 23 to 22 | FLT_ERR_CNT_LIMIT[1:0] | See Table 89 |
| 17 | RSTB_DUR | RSTB pulse duration configuration |
| | | 0 10 ms |
| | | 1 1.0 ms |
| | | Reset condition: POR |

| Bit | Symbol | Description |
|--|------------------|--|
| 12 | DIS_8s | Disable 8 s timer |
| | | 0 RSTB low 8 s counter enabled |
| | | 1 RSTB low 8 s counter disabled |
| | | Reset condition: POR |
| 11 to 8 | FLT_ERR_CNT[3:0] | Reflect the value of the fault error counter |
| | | 0000 0 |
| | | 0001 1 |
| | | 0010 2 |
| | | 0011 3 |
| | | 0100 4 |
| | | 0101 5 |
| | | 0110 6 |
| | | 0111 7 |
| | | 1000 8 |
| | | 1001 9 |
| | | 1010 10 |
| | | 1011 11 |
| | | 1100 12 |
| Reset condition: Real time information | | |

11.7 FS_I_SVS register

Table 45. FS_I_SVS register bit allocation

| Bit | 23 | 22 | 21 | 20 | 19 | 18 | 17 | 16 |
|-------|-----------------|----|----|----|----|----------|----------|----------|
| Write | SVS_OFFSET[4:0] | | | | | 0 | 0 | 0 |
| Read | SVS_OFFSET[4:0] | | | | | RESERVED | RESERVED | RESERVED |
| Reset | 0 | 0 | 0 | 0 | 0 | 0 | 0 | 0 |

| Bit | 15 | 14 | 13 | 12 | 11 | 10 | 9 | 8 |
|-------|----------|----------|----------|----------|----------|----------|----------|----------|
| Write | 0 | 0 | 0 | 0 | 0 | 0 | 0 | 0 |
| Read | RESERVED | RESERVED | RESERVED | RESERVED | RESERVED | RESERVED | RESERVED | RESERVED |
| Reset | 0 | 0 | 0 | 0 | 0 | 0 | 0 | 0 |

Table 46. FS_I_SVS register bit description

| Bit | Symbol | Description |
|----------------|-----------------|--|
| 23 to 19 | SVS_OFFSET[4:0] | Static voltage scaling negative offset |
| | | 0 0000 0 mV |
| | | 0 0001 -6.25 mV |
| | | 0 0010 -12.50 mV |
| | | 0 0011 -18.75 mV |
| | | 0 0100 -25 mV |
| | | 0 0101 -31.25 mV |
| | | 0 0110 -37.5 mV |
| | | 0 0111 -43.75 mV |
| | | 0 1000 -50 mV |
| | | 0 1001 -56.25 mV |
| | | 0 1010 -62.5 mV |
| | | 0 1011 -68.75 mV |
| | | 0 1100 -75 mV |
| | | 0 1101 -81.25 mV |
| | | 0 1110 -87.5 mV |
| | | 0 1111 -93.75 mV |
| 1 0000 -100 mV | | |
| | | Reset condition: POR |

11.8 FS_OVUVREG_STATUS register

Table 47. FS_OVUVREG_STATUS register bit allocation

| Bit | 23 | 22 | 21 | 20 | 19 | 18 | 17 | 16 |
|--------------|-------------|-------------|----------|----------|----------|----------|----------|----------|
| Write | VCOREMON_OV | VCOREMON_UV | VDDIO_OV | VDDIO_UV | RESERVED | RESERVED | RESERVED | RESERVED |
| Read | VCOREMON_OV | VCOREMON_UV | VDDIO_OV | VDDIO_UV | RESERVED | RESERVED | RESERVED | RESERVED |
| Reset | 0 | 1 | 0 | 1 | 0 | 1 | 0 | 1 |

| Bit | 15 | 14 | 13 | 12 | 11 | 10 | 9 | 8 |
|--------------|----------|----------|----------|----------|----------|---------------|--------------|----------|
| Write | RESERVED | RESERVED | VMON1_OV | VMON1_UV | 0 | FS_DIG_REF_OV | FS_OSC_DRIFT | 0 |
| Read | RESERVED | RESERVED | VMON1_OV | VMON1_UV | RESERVED | FS_DIG_REF_OV | FS_OSC_DRIFT | RESERVED |
| Reset | 0 | 1 | 0 | 1 | 0 | 0 | 0 | 0 |

Table 48. FS_OVUVREG_STATUS register bit description

| Bit | Symbol | Description |
|-----|---------------|--|
| 23 | VCOREMON_OV | Overvoltage monitoring on VCOREMON |
| | | 0 No overvoltage |
| | | 1 Overvoltage reported on VCOREMON |
| | | Reset condition: POR / clear on write (write 1) |
| 22 | VCOREMON_UV | Undervoltage monitoring on VCOREMON |
| | | 0 No undervoltage |
| | | 1 Undervoltage reported on VCOREMON |
| | | Reset condition: POR / clear on write (write 1) |
| 21 | VDDIO_OV | Overvoltage monitoring on VDDIO |
| | | 0 No overvoltage |
| | | 1 Overvoltage reported on VDDIO |
| | | Reset POR / clear on write (write 1) condition |
| 20 | VDDIO_UV | Undervoltage monitoring on VDDIO |
| | | 0 No undervoltage |
| | | 1 Undervoltage reported on VDDIO |
| | | Reset condition: POR / clear on write (write 1) |
| 13 | VMON1_OV | Overvoltage monitoring on VMON1 |
| | | 0 No overvoltage |
| | | 1 Overvoltage reported on VMON1 |
| | | Reset condition: POR / clear on write (write 1) |
| 12 | VMON1_UV | Undervoltage monitoring on VMON1 |
| | | 0 No undervoltage |
| | | 1 Undervoltage reported on VMON1 |
| | | Reset condition: POR / clear on write (write 1) |
| 9 | FS_DIG_REF_OV | Overvoltage of the internal digital fail-safe reference voltage |
| | | 0 No overvoltage |
| | | 1 Overvoltage reported of the internal digital fail-safe reference voltage |
| | | Reset condition: POR / clear on write (write 1) |
| 8 | FS_OSC_DRIFT | Drift of the fail-safe OSC |
| | | 0 No drift |
| | | 1 Oscillator drift |
| | | Reset condition: POR / clear on write (write 1) |

11.9 FS_SAFE_IOS register

Table 49. FS_SAFE_IOS register bit allocation

| Bit | 23 | 22 | 21 | 20 | 19 | 18 | 17 | 16 |
|-------|------------|-------------|-----------|----------|----------|----------|------------|-----------|
| Write | PGOOD_DIAG | PGOOD_EVENT | 0 | EXT_RSTB | 0 | 0 | RSTB_EVENT | RSTB_DIAG |
| Read | PGOOD_DIAG | PGOOD_EVENT | PGOOD_SNS | EXT_RSTB | RSTB_DRV | RSTB_SNS | RSTB_EVENT | RSTB_DIAG |
| Reset | 0 | 1 | 0 | 0 | 0 | 0 | 1 | 0 |

| Bit | 15 | 14 | 13 | 12 | 11 | 10 | 9 | 8 |
|-------|----------|----------|----------|----------|----------|----------|----------|----------|
| Write | RSTB_REQ | 0 | 0 | 0 | 0 | 0 | 0 | 0 |
| Read | RESERVED | RESERVED | RESERVED | RESERVED | RESERVED | RESERVED | RESERVED | RESERVED |
| Reset | 0 | 0 | 0 | 0 | 0 | 0 | 0 | 0 |

Table 50. FS_SAFE_IOS register bit description

| Bit | Symbol | Description |
|-----|-------------|---|
| 23 | PGOOD_DIAG | Report a PGOOD Short to High |
| | | 0 No failure |
| | | 1 Short circuit HIGH |
| | | Reset condition: POR / clear on write (write 1) |
| 22 | PGOOD_EVENT | Report a Power GOOD event |
| | | 0 No Power GOOD |
| | | 1 Power GOOD event occurred |
| | | Reset condition: POR / clear on write (write 1) |
| 21 | PGOOD_SNS | Sense of PGOOD pad |
| | | 0 PGOOD pad sensed low |
| | | 1 PGOOD pad sensed high |
| | | Reset condition: Real time information |
| 20 | EXT_RSTB | Report an external RESET |
| | | 0 No external RESET |
| | | 1 External RESET |
| | | Reset condition: POR / clear on write (write 1) |
| 19 | RSTB_DRV | RSTB driver – digital command |
| | | 0 RSTB driver command sensed low |
| | | 1 RSTB driver command sensed high |
| | | Reset condition: Real time information |
| 18 | RSTB_SNS | Sense of RSTB pad |
| | | 0 RSTB pad sensed low |
| | | 1 RSTB pad sensed high |
| | | Reset condition: Real time information |

| Bit | Symbol | Description |
|-----|------------|---|
| 17 | RSTB_EVENT | Report a RSTB event |
| | | 0 No RESET |
| | | 1 RESET occurred |
| | | Reset condition: POR / clear on write (write 1) |
| 16 | RSTB_DIAG | Report a RSTB short to high |
| | | 0 No failure |
| | | 1 Short circuit high |
| | | Reset condition: POR / clear on write (write 1) |
| 15 | RSTB_REQ | Request assertion of RSTB (Pulse) |
| | | 0 No assertion |
| | | 1 RSTB assertion (pulse) |
| | | Reset condition: POR |

11.10 FS_DIAG register

Table 51. FS_DIAG register bit allocation

| Bit | 23 | 22 | 21 | 20 | 19 | 18 | 17 | 16 |
|-------|----------|----------|----------|----------|----------|----------|----------|----------|
| Write | RESERVED | RESERVED | RESERVED | RESERVED | RESERVED | RESERVED | RESERVED | RESERVED |
| Read | RESERVED | RESERVED | RESERVED | RESERVED | RESERVED | RESERVED | RESERVED | RESERVED |
| Reset | 0 | 0 | 0 | 0 | 0 | 0 | 0 | 0 |

| Bit | 15 | 14 | 13 | 12 | 11 | 10 | 9 | 8 |
|-------|----------|----------|----------|----------|----------|------------|------------|----------|
| Write | RESERVED | RESERVED | RESERVED | RESERVED | RESERVED | I2C_FS_CRC | I2C_FS_REQ | RESERVED |
| Read | RESERVED | RESERVED | RESERVED | RESERVED | RESERVED | I2C_FS_CRC | I2C_FS_REQ | RESERVED |
| Reset | 1 | 0 | 0 | 0 | 0 | 0 | 0 | 1 |

Table 52. FS_DIAG register bit description

| Bit | Symbol | Description |
|-----|------------|--|
| 10 | I2C_FS_CRC | Fail-safe I ² C communication CRC issue |
| | | 0 No error |
| | | 1 Error detected in the CRC |
| | | Reset condition: POR / clear on write (write 1) |
| 9 | I2C_FS_REQ | Invalid fail-safe I ² C access (wrong write or read, write to INIT registers in normal mode, wrong address) |
| | | 0 No error |
| | | 1 I ² C violation |
| | | Reset condition: POR / clear on write (write 1) |

11.11 FS_INTB_MASK register

Table 53. FS_INTB_MASK register bit allocation

| Bit | 23 | 22 | 21 | 20 | 19 | 18 | 17 | 16 |
|-------|----------|----------|----------|----------|----------|----------|----------|----------|
| Write | 0 | 0 | 0 | 0 | 0 | 0 | RESERVED | RESERVED |
| Read | RESERVED | RESERVED | RESERVED | RESERVED | RESERVED | RESERVED | RESERVED | RESERVED |
| Reset | 0 | 0 | 0 | 0 | 0 | 0 | 0 | 0 |

| Bit | 15 | 14 | 13 | 12 | 11 | 10 | 9 | 8 |
|-------|----------|---------------------|---------------------|------------------------|----------|----------|----------|----------|
| Write | RESERVED | INT_INH_VMON1_OV_UV | INT_INH_VDDIO_OV_UV | INT_INH_VCOREMON_OV_UV | RESERVED | RESERVED | RESERVED | RESERVED |
| Read | RESERVED | INT_INH_VMON1_OV_UV | INT_INH_VDDIO_OV_UV | INT_INH_VCOREMON_OV_UV | RESERVED | RESERVED | RESERVED | RESERVED |
| Reset | 0 | 0 | 0 | 0 | 0 | 0 | 0 | 0 |

Table 54. FS_INTB_MASK register bit description

| Bit | Symbol | Description |
|-----|------------------------|---|
| 14 | INT_INH_VMON1_OV_UV | Inhibit INTERRUPT on VMON1 OV and UV event |
| | | 0 Interrupt NOT MASKED |
| | | 1 Interrupt MASKED |
| | | Reset condition: POR |
| 13 | INT_INH_VDDIO_OV_UV | Inhibit INTERRUPT on VDDIO OV and UV event |
| | | 0 Interrupt NOT MASKED |
| | | 1 Interrupt MASKED |
| | | Reset condition: POR |
| 12 | INT_INH_VCOREMON_OV_UV | Inhibit INTERRUPT on VCOREMON OV and UV event |
| | | 0 Interrupt NOT MASKED |
| | | 1 Interrupt MASKED |
| | | Reset condition: POR |

11.12 FS_STATES register

Table 55. FS_STATES register bit allocation

| Bit | 23 | 22 | 21 | 20 | 19 | 18 | 17 | 16 |
|-------|----------|----------|----------|----------|-------------|----------|-------------|----------|
| Write | 0 | DBG_EXIT | 0 | 0 | OTP_CORRUPT | 0 | REG_CORRUPT | 0 |
| Read | RESERVED | RESERVED | DBG_MODE | RESERVED | OTP_CORRUPT | RESERVED | REG_CORRUPT | RESERVED |
| Reset | 0 | 0 | 0 | 0 | 0 | 0 | 0 | 0 |

| Bit | 15 | 14 | 13 | 12 | 11 | 10 | 9 | 8 |
|-------|----------|----------|----------|----------------|----|----|---|---|
| Write | 0 | 0 | 0 | 0 | 0 | 0 | 0 | 0 |
| Read | RESERVED | RESERVED | RESERVED | FSM_STATE[4:0] | | | | |
| Reset | 0 | 0 | 0 | 0 | 0 | 1 | 1 | 0 |

Table 56. FS_STATES register bit description

| Bit | Symbol | Description |
|---------|----------------|---|
| 22 | DBG_EXIT | Leave DEBUG mode |
| | | 0 No action |
| | | 1 Leave DEBUG mode |
| | | Reset condition: POR |
| 21 | DBG_MODE | DEBUG mode status |
| | | 0 NOT in DEBUG mode |
| | | 1 In DEBUG mode |
| | | Reset condition: Real time information |
| 19 | OTP_CORRUPT | OTP bits corruption detection (5 ms cyclic check) |
| | | 0 No error |
| | | 1 OTP CRC error detected |
| | | Reset condition: POR / clear on write (write 1) |
| 16 7 | REG_CORRUPT | INIT register corruption detection (real time comparison) |
| | | 0 No error |
| | | 1 INIT register content error detected (mismatch between FS_I_Register / FS_I_NOT_Register) |
| | | Reset condition: POR / clear on write (write 1) |
| 12 to 8 | FSM_STATE[4:0] | Report fail-safe state machine current state |
| | | 0 0110 INIT_FS |
| | | Reset condition: Real time information |

12 OTP bits configuration

12.1 Overview

Table 57. Main OTP_REGISTERS

Legend: **bold** — Regulator behavior in case of TSD and VPRES slew rate parameters can be changed later by I²C.

| Name | Address | BIT7 | BIT6 | BIT5 | BIT4 | BIT3 | BIT2 | BIT1 | BIT0 |
|-----------------|---------|----------------|----------------|----------------------|----------------|-------------------|-----------------------|----------------------|----------|
| OTP_CFG_VPRE_1 | 14 | 0 | 0 | VPREV[5:0] | | | | | |
| OTP_CFG_VPRE_2 | 15 | 0 | 0 | VPRESC[5:0] | | | | | |
| OTP_CFG_VPRE_3 | 16 | VPREILIM[1:0] | | 1 | 0 | 1 | 1 | VPRESRHS[1:0] | |
| OTP_CFG_BOOST_1 | 17 | 0 | 0 | 0 | 0 | 0000 | | | |
| OTP_CFG_BOOST_2 | 18 | 0 | 00 | | 00000 | | | | |
| OTP_CFG_BOOST_3 | 19 | 0 | 0 | 0 | 0 | 0 | 1 | 00 | |
| OTP_CFG_BUCK1_1 | 1A | VB1V[7:0] | | | | | | | |
| OTP_CFG_BUCK1_2 | 1B | 0 | 0 | 0 | VB1INDOPT[1:0] | | VB1SWILIM[1:0] | | 0 |
| OTP_CFG_BUCK1_3 | 1C | 00000000 | | | | | | | |
| OTP_CFG_BUCK1_4 | 1D | 0 | 00 | | 0 | 00 | | 0 | 0 |
| OTP_CFG_BUCK3_1 | 1E | BUCK3EN | VB3INDOPT[1:0] | | VB3V[4:0] | | | | |
| OTP_CFG_BUCK3_2 | 1F | 000 | | | VB1GMCOMP[2:0] | | | VB3SWILIM[1:0] | |
| OTP_CFG_LDO | 20 | 0 | 000 | | | LDO1ILIM | | LDO1V[2:0] | |
| OTP_CFG_SEQ_1 | 21 | 0 | 0 | 111 | | | | VB1S[2:0] | |
| OTP_CFG_SEQ_2 | 22 | 0 | 0 | 111 | | | | LDO1S[2:0] | |
| OTP_CFG_SEQ_3 | 23 | DVS_BUCK1[1:0] | | DVS_BUCK3[1:0] | | Tslot | | VB3S[2:0] | |
| OTP_CFG_CLOCK_1 | 24 | 0 | 0 | VPRE_ph[2:0] | | | 1 | 0 | 0 |
| OTP_CFG_CLOCK_2 | 25 | 0 | 0 | BUCK1_ph[2:0] | | | 000 | | |
| OTP_CFG_CLOCK_3 | 26 | 0 | 0 | BUCK3_ph[2:0] | | | 000 | | |
| OTP_CFG_CLOCK_4 | 27 | BUCK3_clk_sel | 0 | BUCK1_clk_sel | 0 | VPRE_clk_sel | PLL_sel | 0 | 1 |
| OTP_CFG_SM_1 | 28 | 0 | 0 | conf_TSD[5:0] | | | | | |
| OTP_CFG_SM_2 | 29 | 0 | 0 | 0 | VPRE_off_dly | 1 | 1 | PSYNC_CFG | PSYNC_EN |
| OTP_CFG_VSUP_UV | 2A | 0 | 0 | 0 | 0 | 0 | 0 | 0 | VSUPCFG |
| OTP_CFG_I2C | 2B | 0 | 0 | 0 | 0 | M_I2CDEVADDR[3:0] | | | |
| OTP_CFG_OV | 2C | 0 | 0 | 0 | 0 | 0 | VDDIO_REG_ASSIGN[2:0] | | |
| OTP_CFG_DEVID | 2D | DeviceID[7:0] | | | | | | | |

Table 58. Fail-safe OTP_REGISTERS

| Name | Address | BIT7 | BIT6 | BIT5 | BIT4 | BIT3 | BIT2 | BIT1 | BIT0 | |
|--------------------|---------|----------------|------------|--------------------|----------------------|--------------------|--------------------|-------------|---------------|--|
| OTP_CFG_UVOV_1 | 0A | VCORE_V[7:0] | | | | | | | | |
| OTP_CFG_UVOV_2 | 0B | VDDIOOVTH[3:0] | | | | VCOREOVTH[3:0] | | | | |
| OTP_CFG_UVOV_3 | 0C | 0 | 0 | VDDIO_V | VCORE_SVS_CLAMP[4:0] | | | | | |
| OTP_CFG_UVOV_4 | 0D | 0 | 0 | 0 | 0 | VMON1OVTH[3:0] | | | | |
| OTP_CFG_UVOV_5 | 0E | 0 | 0 | 0 | 0 | 0 | 0 | 0 | 0 | |
| OTP_CFG_UVOV_6 | 0F | VDDIOUVTH[3:0] | | | | VCOREUVTH[3:0] | | | | |
| OTP_CFG_UVOV_7 | 10 | 0 | 0 | 0 | 0 | VMON1UVTH[3:0] | | | | |
| OTP_CFG_UVOV_8 | 11 | 0 | 0 | 0 | 0 | 0 | 0 | 0 | 0 | |
| OTP_CFG_PGOOD | 12 | 0 | PGOOD_RSTB | 0 | 0 | 0 | PGOOD_VMON1 | PGOOD_VDDIO | PGOOD_VCORE | |
| OTP_CFG_ABIST1 | 13 | 0 | 0 | 0 | 0 | 0 | 0 | 0 | 0 | |
| OTP_CFG_ASIL | 14 | 1 | 0 | 0 | 0 | 0 | 0 | 0 | VMON1_EN | |
| OTP_CFG_I2C | 15 | 0 | 0 | 0 | 0 | FS_I2CDEVADDR[3:0] | | | | |
| OTP_CFG_DGLT_DUR_1 | 16 | 0 | 0 | VCORE_UV_DGLT[1:0] | | VCORE_OV_DGLT | VDDIO_UV_DGLT[1:0] | | VDDIO_OV_DGLT | |
| OTP_CFG_DGLT_DUR_2 | 17 | 0 | 0 | 0 | 0 | 0 | VMON1_UV_DGLT[1:0] | | VMON1_OV_DGLT | |

12.2 Main OTP bit description

Table 59. Main OTP bit description

| Address | Register | Bit | Symbol | Value | Description |
|---------|----------------|--------|---------------|---------|-----------------------------------|
| 14 | OTP_CFG_VPRE_1 | 5 to 0 | VPREV[5:0] | | VPRE output voltage |
| | | | | 01 0111 | 4.1 V |
| | | | | 10 0000 | 5.0 V |
| 15 | OTP_CFG_VPRE_2 | 5 to 0 | VPRESC[5:0] | | VPRE slope compensation |
| | | | | 00 0100 | 40 mV/μs |
| | | | | 00 0101 | 50 mV/μs |
| | | | | 00 0110 | 60 mV/μs |
| | | | | 00 0111 | 70 mV/μs |
| | | | | 00 1000 | 80 mV/μs |
| | | | | 00 1001 | 90 mV/μs |
| | | | | 00 1010 | 100 mV/μs |
| | | | | 00 1110 | 140 mV/μs |
| | | | | 01 0001 | 170 mV/μs |
| | | | | 01 0100 | 200 mV/μs |
| | | | | 01 1000 | 240 mV/μs |
| 16 | OTP_CFG_VPRE_3 | 7 to 6 | VPREILIM[1:0] | | VPRE current limitation threshold |
| | | | | 00 | 50 mV |
| | | | | 01 | 80 mV |
| | | | | 10 | 120 mV |
| | | | | 11 | 150 mV |
| | | 3 to 2 | VPRESRLS[1:0] | | VPRE low-side slew rate control |
| | | | | 11 | PU/PD/900 mA |
| | | 1 to 0 | VPRESRHS[1:0] | | VPRE high-side slew rate control |
| | | | | 00 | PU/PD/130 mA |
| | | | | 01 | PU/PD/260 mA |
| | | | | 10 | PU/PD/520 mA |
| | | 11 | PU/PD/900 mA | | |

| Address | Register | Bit | Symbol | Value | Description |
|-----------|-----------------|--------|----------------|-----------|--------------------------|
| 1A | OTP_CFG_BUCK1_1 | 7 to 0 | VB1V[7:0] | | VBUCK1 output voltage |
| | | | | 0100 0000 | 0.8 V |
| | | | | 0100 0100 | 0.825 V |
| | | | | 0101 0000 | 0.9 V |
| | | | | 0101 1000 | 0.95 V |
| | | | | 0110 0000 | 1.0 V |
| | | | | 01100100 | 1.025 V |
| | | | | 0110 0101 | 1.03125 V |
| | | | | 0111 0000 | 1.1 V |
| | | | | 1000 0000 | 1.2 V |
| | | | | 1000 1000 | 1.25 V |
| | | | | 1001 0000 | 1.3 V |
| | | | | 1001 1000 | 1.35 V |
| | | | | 1010 0000 | 1.4 V |
| | | | | 1011 0000 | 1.5 V |
| 1011 0001 | 1.8 V | | | | |
| 1B | OTP_CFG_BUCK1_2 | 4 to 3 | VB1INDOPT[1:0] | | BUCK1 inductor selection |
| | | | | 00 | 1 μH |
| | | | | 01 | 0.47 μH |
| | | 2 to 1 | VB1SWILIM{1:0} | 10 | 1.5 μH |
| | | | | 01 | Reserved |
| | | | | 11 | 4.5 A |
| 1E | OTP_CFG_BUCK3_1 | 7 | BUCK3EN | | BUCK3 enable |
| | | | | 0 | Disabled |
| | | | | 1 | Enabled |
| | | 6 to 5 | VB3INDOPT[1:0] | 00 | 1 μH |
| | | | | 01 | 0.47 μH |
| | | | | 10 | 1.5 μH |
| | | 4 to 0 | VB3V[4:0] | | VBUCK3 output voltage |
| | | | | 0 0000 | 1.0 V |
| | | | | 0 0001 | 1.1 V |
| | | | | 0 0010 | 1.2 V |
| | | | | 0 0011 | 1.25 V |
| | | | | 0 0100 | 1.3 V |
| 0 0101 | 1.35 V | | | | |
| 0 0110 | 1.5 V | | | | |
| 0 0111 | 1.6 V | | | | |
| 0 1000 | 1.8 V | | | | |
| 0 1110 | 2.3 V | | | | |
| 1 0000 | 2.5 V | | | | |
| 1 0001 | 2.8 V | | | | |
| 1 0101 | 3.3 V | | | | |

| Address | Register | Bit | Symbol | Value | Description |
|---------|-----------------|--------|----------------|-------|--|
| 1F | OTP_CFG_BUCK3_2 | 4 to 2 | VB1GMCOMP[2:0] | | BUCK1 compensation network |
| | | | | 001 | 16.25 GM |
| | | | | 010 | 32.5 GM |
| | | | | 011 | 48.75 GM |
| | | | | 100 | 65 GM |
| | | | | 101 | 81.25 GM |
| | | 1 to 0 | VB3SWILIM[1:0] | | BUCK3 current limitation |
| | | | | 01 | 2.6 A |
| | | | | 11 | 4.5 A |
| | | | | | |
| 20 | OTP_CFG_LDO | 3 | LDO1ILIM | | VLDO1 current limitation |
| | | | | 0 | 400 mA |
| | | | | 1 | 150 mA |
| | | 2 to 0 | LDO1V[2:0] | | VLDO1 output voltage |
| | | | | 000 | 1.1 V |
| | | | | 001 | 1.2 V |
| | | | | 010 | 1.6 V |
| | | | | 011 | 1.8 V |
| | | | | 100 | 2.5 V |
| | | | | 101 | 2.8 V |
| | | | | 110 | 3.3 V |
| | | | | 111 | 5.0 V |
| | | | | | |
| | | | | | |
| 21 | OTP_CFG_SEQ_1 | 2 to 0 | VB1S[2:0] | | BUCK1 sequencing slot |
| | | | | 000 | Regulator start and stop in Slot 0 |
| | | | | 001 | Regulator start and stop in Slot 1 |
| | | | | 010 | Regulator start and stop in Slot 2 |
| | | | | 011 | Regulator start and stop in Slot 3 |
| | | | | 100 | Regulator start and stop in Slot 4 |
| | | | | 101 | Regulator start and stop in Slot 5 |
| | | | | 110 | Regulator start and stop in Slot 6 |
| | | | | 111 | Regulator does not start (enabled by I ² C) |
| | | | | | |
| 22 | OTP_CFG_SEQ_2 | 2 to 0 | LDO1S[2:0] | | LDO1 sequencing slot |
| | | | | 000 | Regulator start and stop in Slot 0 |
| | | | | 001 | Regulator start and stop in Slot 1 |
| | | | | 010 | Regulator start and stop in Slot 2 |
| | | | | 011 | Regulator start and stop in Slot 3 |
| | | | | 100 | Regulator start and stop in Slot 4 |
| | | | | 101 | Regulator start and stop in Slot 5 |
| | | | | 110 | Regulator start and stop in Slot 6 |
| | | | | 111 | Regulator does not start (enabled by I ² C) |
| | | | | | |
| 23 | OTP_CFG_SEQ_3 | 7 to 6 | DVS_BUCK1[1:0] | | BUCK1 soft start/stop configurability |
| | | | | 00 | 7.81 mV/μs |
| | | | | 01 | 3.13 mV/μs |
| | | | | 10 | 2.6 mV/μs |

| Address | Register | Bit | Symbol | Value | Description |
|---------|-----------------|--------|----------------|-------|---|
| | | | | 11 | 2.23 mV/μs |
| | | 5 to 4 | DVS_BUCK3[1:0] | | BUCK3 soft start/stop configurability |
| | | | | 00 | 10.41 mV/μs |
| | | | | 01 | 3.47 mV/μs |
| | | | | 10 | 2.6 mV/μs |
| | | | | 11 | 2.08 mV/μs |
| | | 3 | Tslot | | Power up/down slot duration |
| | | | | 0 | 250 μs |
| | | | | 1 | 1.0 ms |
| | | 2 to 0 | VB3S[2:0] | | BUCK3 sequencing slot |
| | | | | 000 | Regulator start and stop in Slot 0 |
| | | | | 001 | Regulator start and stop in Slot 1 |
| | | | | 010 | Regulator start and stop in Slot 2 |
| | | | | 011 | Regulator start and stop in Slot 3 |
| | | | | 100 | Regulator start and stop in Slot 4 |
| | | | | 101 | Regulator start and stop in Slot 5 |
| | | | | 110 | Regulator start and stop in Slot 6 |
| | | | | 111 | Regulator does not start (enabled by I2C) |
| 24 | OTP_CFG_CLOCK_1 | 5 to 3 | VPRE_ph[2:0] | | VPRE phase (delay) selection |
| | | | | 000 | no delay |
| | | | | 001 | delay 1 |
| | | | | 010 | delay 2 |
| | | | | 011 | delay 3 |
| | | | | 100 | delay 4 |
| | | | | 101 | delay 5 |
| | | | | 110 | delay 6 |
| | | | | 111 | delay 7 |
| 25 | OTP_CFG_CLOCK_2 | 5 to 3 | BUCK1_ph[2:0] | | VBUCK1 phase (delay) selection |
| | | | | 000 | no delay |
| | | | | 001 | delay 1 |
| | | | | 010 | delay 2 |
| | | | | 011 | delay 3 |
| | | | | 100 | delay 4 |
| | | | | 101 | delay 5 |
| | | | | 110 | delay 6 |
| | | | | 111 | delay 7 |
| 26 | OTP_CFG_CLOCK_3 | 5 to 3 | BUCK3_ph[2:0] | | VBUCK3 phase (delay) selection |
| | | | | 000 | no delay |
| | | | | 001 | delay 1 |
| | | | | 010 | delay 2 |
| | | | | 011 | delay 3 |
| | | | | 100 | delay 4 |
| | | | | 101 | delay 5 |
| | | | | 110 | delay 6 |
| | | | | 111 | delay 7 |

| Address | Register | Bit | Symbol | Value | Description |
|-------------|---------------------|--------|-------------------|----------|---|
| 27 | OTP_CFG_CLOCK_4 | 7 | BUCK3_clk_sel | | BUCK3 clock selection |
| | | | | 0 | CLK_DIV1 = 2.22 MHz |
| | | 6 | BUCK2_clk_sel | | BUCK2 clock selection |
| | | | | 0 | CLK_DIV1 = 2.22 MHz |
| | | 5 | BUCK1_clk_sel | | BUCK1 clock selection |
| | | | | 0 | CLK_DIV1 = 2.22 MHz |
| | | 4 | VBST_clk_sel | | VBOOST clock selection |
| | | | | 0 | CLK_DIV1 = 2.22 MHz |
| | | 3 | VPRE_clk_sel | | VPRE clock selection |
| | | | | 0 | CLK_DIV1 = 2.22 MHz |
| 1 | CLK_DIV2 = 455 kHz | | | | |
| 2 | PLL_sel | | PLL enable | | |
| | | 0 | Disabled | | |
| 1 | | | 1 | Enabled | |
| 28 | OTP_CFG_SM_1 | 5 to 0 | conf_TSD[5] | RESERVED | |
| | | | conf_TSD[4] | | BUCK1 behavior in case of TSD |
| | | | | 0 | BUCK1 shutdown |
| | | | | 1 | BUCK1 shutdown + DFS |
| | | | conf_TSD[3] | RESERVED | |
| | | | conf_TSD[2] | | BUCK3 behavior in case of TSD |
| | | | | 0 | BUCK3 shutdown |
| | | | | 1 | BUCK3 Shutdown + DFS |
| | | | conf_TSD[1] | | LDO1 behavior in case of TSD |
| | | | | 0 | LDO1 shutdown |
| 1 | LDO1 shutdown + DFS | | | | |
| conf_TSD[0] | RESERVED | | | | |
| 29 | OTP_CFG_SM_2 | 4 | VPRE_off_dly | | Delay to turn OFF VPRE at device power down |
| | | | | 0 | 250 μ s |
| | | | | 1 | 32 ms |
| | | 1 | PSYNC_CFG | | Synchronization with 1x FS5502 or 1x PF82 |
| | | | | 0 | 2x FS5502 |
| | | | | 1 | 1x FS5502 and 1x PF82 |
| | | 0 | PSYNC_EN | | Synchronization with two devices |
| | | | | 0 | Disabled |
| | | | | 1 | Enabled |
| | | | | | |
| 2A | OTP_CFG_VSUP_UV | 0 | VSUP_CFG | | VSUP undervoltage threshold configuration |
| | | | | 0 | 4.9 V for Vpre < 4.5 V |
| | | | | 1 | 6.2 V for Vpre > 4.5 V |
| 2B | OTP_CFG_I2C | 3 to 0 | M_I2CDEVADDR[3:0] | | Device I ² C address |
| | | | | 0000 | Address D0 |
| | | | | ... | ... |
| | | | | 1111 | Address D15 |

| Address | Register | Bit | Symbol | Value | Description |
|---------|--------------------|--------|-----------------------|-------|-----------------------------|
| 2C | OTP_CFG_OV | 2 to 0 | VDDIO_REG_ASSIGN[2:0] | | Regulator assigned to VDDIO |
| | | | | 000 | External regulator |
| | | | | 001 | VPRE |
| | | | | 010 | RESERVED |
| | | | | 011 | LDO2 |
| | | | | 100 | BUCK3 |
| | | | | 101 | External regulator |
| | | | | 110 | External regulator |
| 111 | External regulator | | | | |
| 2D | OTP_CFG_DEVID | 7 to 0 | DeviceID[7:0] | | Device ID |

12.3 Fail-safe OTP bit description

Table 60. Fail-safe OTP bit description

| Address | Register | Bit | Symbol | Value | Description |
|---------|----------------|--------|--------------|-----------|-----------------------------------|
| 0A | OTP_CFG_UVOV_1 | 7 to 0 | VCORE_V[7:0] | | VCORE (VBUCK1) monitoring voltage |
| | | | | 0100 0000 | 0.8 V |
| | | | | 0100 0100 | 0.825 V |
| | | | | 0101 0000 | 0.9 V |
| | | | | 0101 1000 | 0.95 V |
| | | | | 0110 0000 | 1 V |
| | | | | 01100100 | 1.025 V |
| | | | | 0110 0101 | 1.03125 V |
| | | | | 0110 0000 | 1.1 V |
| | | | | 1000 0000 | 1.2 V |
| | | | | 1000 1000 | 1.25 V |
| | | | | 1001 0000 | 1.3 V |
| | | | | 1001 1000 | 1.35 V |
| | | | | 1010 0000 | 1.4 V |
| | | | | 1011 0000 | 1.5 V |
| | | | | 1011 0001 | 1.8 V |

| Address | Register | Bit | Symbol | Value | Description |
|---------|----------------|--------|----------------------|-------|--|
| 0B | OTP_CFG_UVOV_2 | 7 to 4 | VDDIOOVTH[3:0] | | VDDIO overvoltage threshold configuration |
| | | | | 0000 | 104.5 % |
| | | | | 0001 | 105 % |
| | | | | 0010 | 105.5 % |
| | | | | 0011 | 106 % |
| | | | | 0100 | 106.5 % |
| | | | | 0101 | 107 % |
| | | | | 0110 | 107.5 |
| | | | | 0111 | 108 % |
| | | | | 1000 | 108.5 % |
| | | | | 1001 | 109 % |
| | | | | 1010 | 109.5 % |
| | | 1011 | 110 % | | |
| | | 1100 | 110.5 % | | |
| | | 1101 | 111 % | | |
| | | 1110 | 111.5 % | | |
| | | 1111 | 112 % | | |
| | | 3 to 0 | VCOREOVTH[3:0] | | VCOREMON overvoltage threshold configuration |
| | | | | 0000 | 104.5 % |
| | | | | 0001 | 105 % |
| | | | | 0010 | 105.5 % |
| | | | | 0011 | 106 % |
| | | | | 0100 | 106.5 % |
| | | | | 0101 | 107 % |
| 0110 | 107.5 | | | | |
| 0111 | 108 % | | | | |
| 1000 | 108.5 % | | | | |
| 1001 | 109 % | | | | |
| 1010 | 109.5 % | | | | |
| 1011 | 110 % | | | | |
| 1100 | 110.5 % | | | | |
| 1101 | 111 % | | | | |
| 1110 | 111.5 % | | | | |
| 1111 | 112 % | | | | |
| 0C | OTP_CFG_UVOV_3 | 5 | VDDIO_V | | VDDIO voltage selection |
| | | | | 0 | 3.3 V |
| | | | | 1 | 5 V |
| 0C | OTP_CFG_UVOV_3 | 4 to 0 | VCORE_SVS_CLAMP[4:0] | | SVS max value allowed (mask) |
| | | | | 00000 | 2 steps available (-12.5 mV) |
| | | | | 00001 | 4 steps available (-25 mV) |
| | | | | 00011 | 8 steps available (-50 mV) |
| | | | | 00100 | 16 steps available (-100 mV) |

| Address | Register | Bit | Symbol | Value | Description |
|---------|----------------|--------|----------------|-------|---|
| 0D | OTP_CFG_UVOV_4 | 3 to 0 | VMON1OVTH[3:0] | | VMON1 overvoltage threshold configuration |
| | | | | 0000 | 104.5 % |
| | | | | 0001 | 105 % |
| | | | | 0010 | 105.5 % |
| | | | | 0011 | 106 % |
| | | | | 0100 | 106.5 % |
| | | | | 0101 | 107 % |
| | | | | 0110 | 107.5 |
| | | | | 0111 | 108 % |
| | | | | 1000 | 108.5 % |
| | | | | 1001 | 109 % |
| | | | | 1010 | 109.5 % |
| | | | | 1011 | 110 % |
| | | | | 1100 | 110.5 % |
| | | | | 1101 | 111 % |
| | | | | 1110 | 111.5 % |
| 1111 | 112 % | | | | |

| Address | Register | Bit | Symbol | Value | Description | | |
|---------|----------------|--------|----------------|-------|--|------|---|
| 0F | OTP_CFG_UVOV_6 | 7 to 4 | VDDIOUVTH[3:0] | | VDDIO undervoltage threshold configuration | | |
| | | | | 0000 | 95.5 % | | |
| | | | | 0001 | 95 % | | |
| | | | | 0010 | 94.5 % | | |
| | | | | 0011 | 94 % | | |
| | | | | 0100 | 93.5 % | | |
| | | | | 0101 | 93 % | | |
| | | | | 0110 | 92.5 % | | |
| | | | | 0111 | 92 % | | |
| | | | | 1000 | 91.5 % | | |
| | | | | 1001 | 91 % | | |
| | | | | 1010 | 90.5 % | | |
| | | | | 1011 | 90 % | | |
| | | | | 1100 | 89.5 % | | |
| | | 1101 | 89 % | | | | |
| | | 1110 | 88.5 % | | | | |
| | | 1111 | 88 % | | | | |
| | | 3 to 0 | VCOREUVTH[3:0] | | | | VCOREMON undervoltage threshold configuration |
| | | | | | | 0000 | 95.5 % |
| | | | | | | 0001 | 95 % |
| | | | | | | 0010 | 94.5 % |
| | | | | | | 0011 | 94 % |
| | | | | | | 0100 | 93.5 % |
| | | | | | | 0101 | 93 % |
| | | | | | | 0110 | 92.5 % |
| | | | | | | 0111 | 92 % |
| 1000 | 91.5 % | | | | | | |
| 1001 | 91 % | | | | | | |
| 1010 | 90.5 % | | | | | | |

| Address | Register | Bit | Symbol | Value | Description |
|---------|----------------|--------|--------------------|-------|--|
| 10 | OTP_CFG_UVOV_7 | 3 to 0 | VMON1UVTH[3:0] | | VMON1 undervoltage threshold configuration |
| | | | | 0000 | 95.5 % |
| | | | | 0001 | 95 % |
| | | | | 0010 | 94.5 % |
| | | | | 0011 | 94 % |
| | | | | 0100 | 93.5 % |
| | | | | 0101 | 93 % |
| | | | | 0110 | 92.5 % |
| | | | | 0111 | 92 % |
| | | | | 1000 | 91.5 % |
| | | | | 1001 | 91 % |
| | | | | 1010 | 90.5 % |
| | | | | 1011 | 90 % |
| | | | | 1100 | 89.5 % |
| | | | | 1101 | 89 % |
| 12 | OTP_CFG_PGOOD | 6 | PGOOD_RSTB | | RSTB assignment to PGOOD |
| | | | | 0 | Not assigned |
| | | | | 1 | Assigned |
| | | 2 | PGOOD_VMON1 | | VMON1 assignment to PGOOD |
| | | | | 0 | Not assigned |
| | | 1 | PGOOD_VDDIO | | VDDIO assignment to PGOOD |
| | | | | 0 | Not assigned |
| | | 1 | PGOOD_VDDIO | 0 | Not assigned |
| | | | | 1 | Assigned |
| | | 0 | PGOOD_VCORE | | VCORE (BUCK1) assignment to PGOOD |
| | | | | 0 | Not assigned |
| | | 1 | PGOOD_VCORE | 0 | Not assigned |
| 1 | Assigned | | | | |
| 14 | OTP_CFG_ASIL | 0 | VMON1_EN | | VMON1 monitoring enable |
| | | | | 0 | Disabled |
| | | | | 1 | Enabled |
| 15 | OTP_CFG_I2C | 3 to 0 | FS_I2CDEVADDR[3:0] | | Device I ² C address |
| | | | | 0000 | Address D0 |
| | | | | ... | ... |
| | | | | 1111 | Address D15 |

| Address | Register | Bit | Symbol | Value | Description | | |
|---------|--------------------|--------|--------------------|-------|-----------------------------------|----|-----------------------------------|
| 16 | OTP_CFG_DGLT_DUR_1 | 5 to 4 | VCORE_UV_DGLT[1:0] | | VCORE undervoltage filtering time | | |
| | | | | 00 | 5 μ s | | |
| | | | | 01 | 15 μ s | | |
| | | | | 10 | 25 μ s | | |
| | | | | | | 11 | 40 μ s |
| | | 3 | VCORE_OV_DGLT | | | | VCORE overvoltage filtering time |
| | | | | 0 | 25 μ s | | |
| | | | | 1 | 45 μ s | | |
| | | 2 to 1 | VDDIO_UV_DGLT[1:0] | | | | VDDIO undervoltage filtering time |
| | | | | 00 | 5 μ s | | |
| | | | | 01 | 15 μ s | | |
| | | | | 10 | 25 μ s | | |
| | | 11 | 40 μ s | | | | |
| 0 | VDDIO_OV_DGLT | | | | VDDIO overvoltage filtering time | | |
| | | 0 | 25 μ s | | | | |
| | | 1 | 45 μ s | | | | |
| 17 | OTP_CFG_DGLT_DUR_2 | 2 to 1 | VMON1_UV_DGLT[1:0] | | VMON1 undervoltage filtering time | | |
| | | | | 00 | 5 μ s | | |
| | | | | 01 | 15 μ s | | |
| | | | | 10 | 25 μ s | | |
| | | | | 11 | 40 μ s | | |
| | | 0 | VMON1_OV_DGLT | | | | VMON1 overvoltage filtering time |
| | | | | 0 | 25 μ s | | |
| | | 1 | 45 μ s | | | | |

13 Best of supply

13.1 Functional description

VBOS regulator manages the best of supply from VSUP and VPRES to efficiently generate 5.0 V output to supply the internal biasing of the device. VBOS is also the supply of VPRES high side.

VBOS undervoltage might not guarantee the full functionality of the device. Consequently, VBOS_UVL detection powers down the device.

V_{SUP_UV7} undervoltage threshold is used to enable the path from VSUP to VBOS when $VSUP < V_{SUP_UV7}$ to have a low drop path from VSUP, while VPRES is going low and to power up the device when VPRES is not started. When $VSUP > V_{SUP_UV7}$, VBOS is forced to use VPRES to optimize the efficiency.

13.2 Best of supply electrical characteristics

Table 61. Best of supply electrical characteristics

$T_A = -40\text{ }^{\circ}\text{C}$ to $125\text{ }^{\circ}\text{C}$, unless otherwise specified. $V_{SUP} = V_{SUP_UVH}$ to 36 V, unless otherwise specified. All voltages referenced to ground.

| Symbol | Parameter | Min | Typ | Max | Unit |
|----------------|--|-----|-----|------|---------------|
| V_{BOS} | Best of supply output voltage | 3.3 | 5.0 | 5.25 | V |
| V_{BOS_UVH} | VBOS undervoltage threshold high (VBOS rising) | 4.1 | — | 4.5 | V |
| V_{BOS_UVL} | VBOS undervoltage threshold low (VBOS falling) | 3.2 | — | 3.4 | V |
| T_{BOS_UV} | V_{BOS_UVH} and V_{BOS_UVL} filtering time | 6.0 | 10 | 15 | μs |
| V_{BOS_POR} | VBOS power on reset threshold | — | — | 2.5 | V |
| T_{BOS_POR} | V_{BOS_POR} filtering time | 0.5 | — | 1.5 | μs |
| I_{BOS} | Best of supply current capability | — | — | 60 | mA |
| C_{OUT_BOS} | Effective output capacitor | 4.7 | — | 10 | μF |
| | Output decoupling capacitor | — | 0.1 | — | μF |

14 High voltage buck: VPRES

14.1 Functional description

VPRES block is a high voltage, synchronous, peak current mode buck controller. VPRES is working with external logical level NMOS in force PWM mode at 455 kHz and in Automatic Pulse Skipping (APS) mode at 2.22 MHz. The APS mode helps to maintain the correct output voltage at high input voltage by skipping some turn ON cycles of the HS FET below the minimum duty cycle. VPRES input voltage is naturally limited to $V_{SUP} = L_{PI_DCR} \times I_{PRE} + V_{PRE_UVL} / D_{MAX}$ with $D_{MAX} = 1 - (F_{PRE_SW} \times T_{PRE_OFF_MIN})$. A bootstrap capacitor is required to supply the gate drive circuit of the high-side NMOS. The output voltage is configurable by OTP from 3.3 V to 5.0 V, and the switching frequency is configurable by OTP at 455 kHz for 12 V and 24 V transportation applications or 2.22 MHz for 12 V automotive applications. The stability is ensured by an external Type 2 compensation network with slope compensation.

The output current is sensed via an external shunt in series with the inductor and the maximum current capability is defined by the external components (NMOS gate charge, inductor, shunt resistor), the gate driver current capability and the switching frequency. An overcurrent detection is implemented to protect the external MOSFETs. If an overcurrent is detected after the HS minimum TON time, the HS is turned OFF and will be turned ON again at the next rising edge of the switching clock. The overcurrent induces a duty cycle reduction that could lead to the output voltage gradually dropping, causing an undervoltage condition on VPRES and/or one of the cascaded regulators.

The maximum input voltage is 60 V and allows operation in 24 V truck applications without external protection to sustain ISO 16750-2:2012 load dump pulse 5b. VPRES must be the input supply of the BUCK1. VPRES can be the input supply of BUCK3 and LDO1. VPRES can be the supply of local loads remaining inside the ECU.

By default, VPRES switching frequency is derived from the internal oscillator, and can be synchronized with an external frequency signal applied at FIN input pin. The change from internal oscillator to external clock or vice versa is controlled by I²C.

V_{PRE_UVH} , V_{PRE_UVL} and $V_{PRE_FB_OV}$ thresholds are monitored from PRE_FB pin and manage some transitions of the main state machine described in [Section 8.1 "Simplified functional state diagram"](#).

14.2 Application schematic

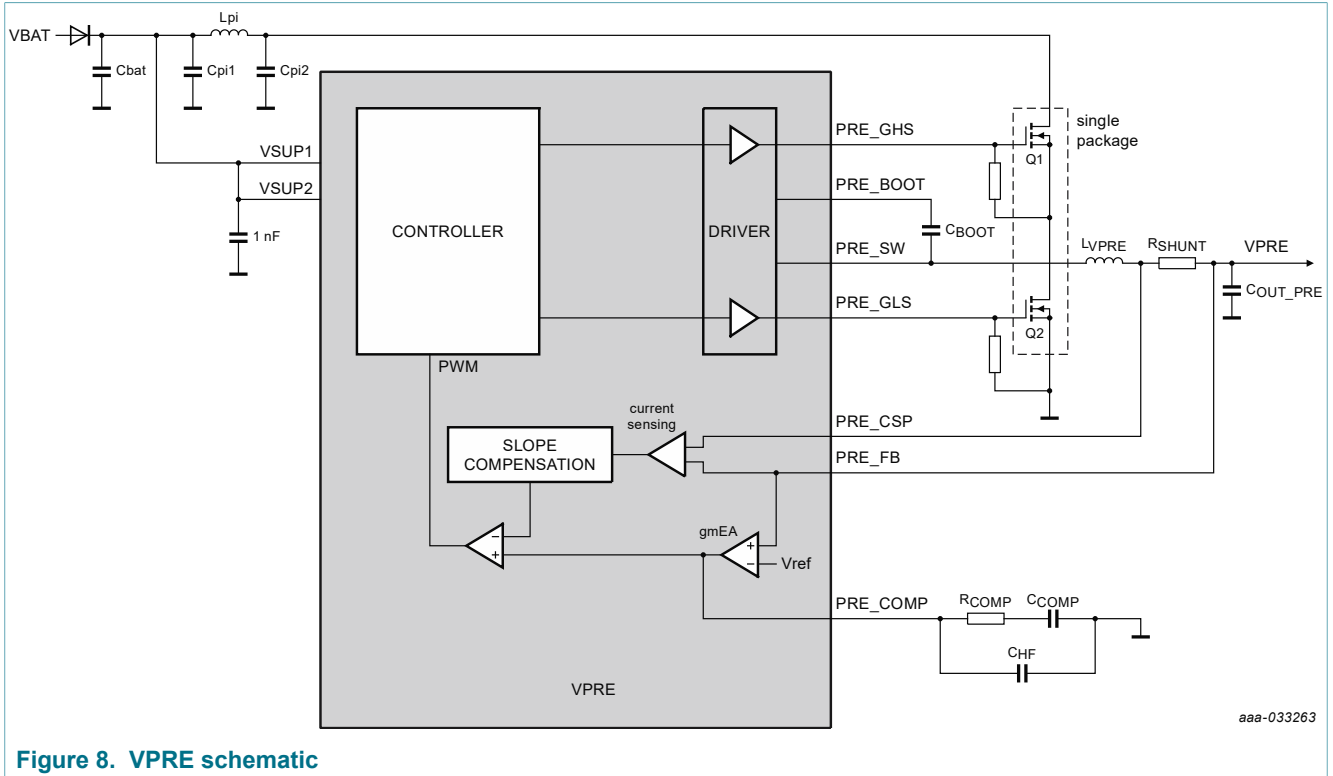


Figure 8. VPRES schematic

A PI filter, with $F_{RES} = 1 / [2\pi \times \sqrt{LC_{pi1}}]$ and calculated for $F_{res} < F_{PRE_SW} / 10$, is required to filter VPRES switching frequency on the Battery line. VSUP1,2 pins must be connected before the PI filter for a clean biasing of the device. Cpi1 capacitor shall be implemented close to VSUP1,2 pins. Cpi2 capacitor shall be implemented close to Q1. The bootstrap capacitor value should be sized to be >10 times the gate source capacitor of Q1. Gate to source resistor on Q1 and Q2 is recommended in case of pin disconnection to guarantee a passive switch OFF of the transistors.

14.3 Compensation network and stability

The external compensation network, made with RCOMP, CCOMP and CHF shall be calculated for best compromise between stability and transient response, based on below conceptual plot of Type 2 compensation network transfer function.

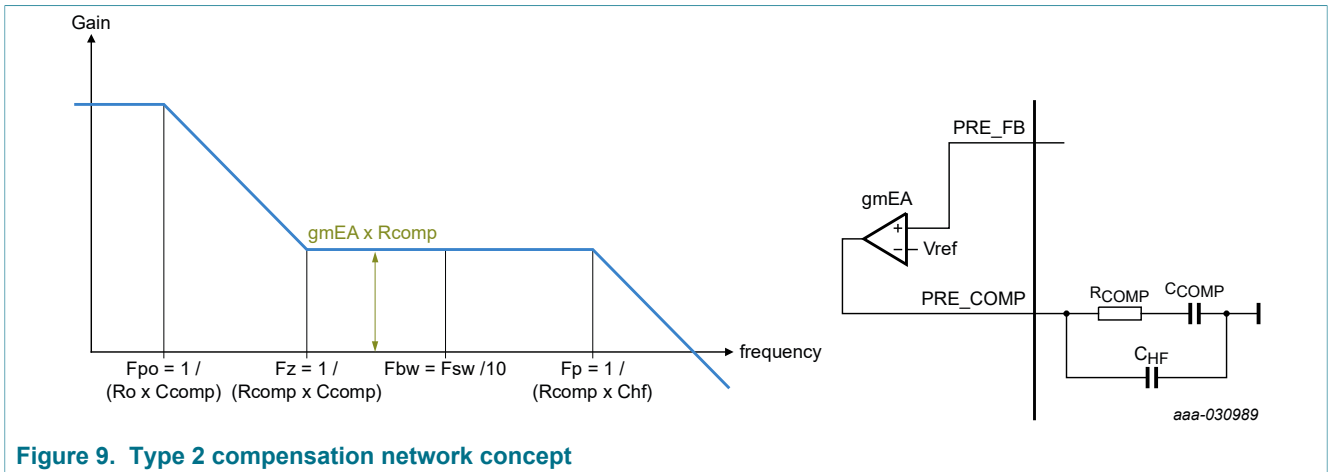


Figure 9. Type 2 compensation network concept

Calculation guideline

- System bandwidth for VPRE = 455 kHz: $F_{bw} = F_{PRE_SW} / 10$
System bandwidth for VPRE = 2.22 MHz: $F_{bw} = F_{PRE_SW} / 15$
- Compensation zero: $Fz = F_{bw} / 10$
- Compensation pole for VPRE = 455 kHz: $Fp = F_{PRE_SW} / 2$
- Compensation pole for VPRE = 2.22 MHz: $Fp = F_{PRE_SW} / 4$
- $F_{GBW} = 1 / (2\pi \times R_{SHUNT} \times V_{PRE_LIM_GAIN} \times C_{OUT_PRE})$
- Error amplifier gain: $EA_gain = (V_{REF} / V_{PRE}) \times gmEA_{PRE} \times R_{COMP} = 10^{LOG(F_{BW} / F_{GBW})}$
- $V_{REF} = 1.0\text{ V}$, $R_{COMP} = V_{PRE} \times (EA_gain / gmEA_{PRE})$
- $C_{COMP} = 1 / (2\pi \times Fz \times R_{COMP})$
- $C_{HF} = 1 / (2\pi \times Fp \times R_{COMP})$
- Slope compensation: $Se > (V_{PRE} / L_{VPRE}) \times R_{SHUNT} \times V_{PRE_LIM_GAIN}$

The compensation network can be automatically calculated in the FS5502_OTP_Config.xlsm file which is using the same formulas. A Simplis simulation is recommended to verify the Phase and Gain Margin with normalized components.

Use case calculation with VPRE = 4.1 V, LVPRE = 6.8 μH, FPRE_SW = 455 kHz, COUT_PRE = 66 μF, RSHUNT = 10.0 mΩ

- System bandwidth: $F_{bw} = 45\text{ kHz}$
- Compensation zero: $Fz = 4.5\text{ kHz}$
- Compensation pole: $Fp = 227.5\text{ kHz}$
- $F_{GBW} = 53\text{ kHz}$
- Error amplifier gain: $EA_gain = 10^{LOG(F_{BW} / F_{GBW})} = 0.86$
- $R_{COMP} = 2.34\text{ k}\Omega = 2.2\text{ k}\Omega$
- $C_{COMP} = 15.9\text{ nF} = 16\text{ nF}$
- $C_{HF} = 318\text{ pF} = 330\text{ pF}$
- Slope compensation: $Se > 30\text{ mV}/\mu\text{s}$

Use case stability verification

- Phase margin target $PM > 45^\circ$ and gain margin target $GM > 6\text{ dB}$.

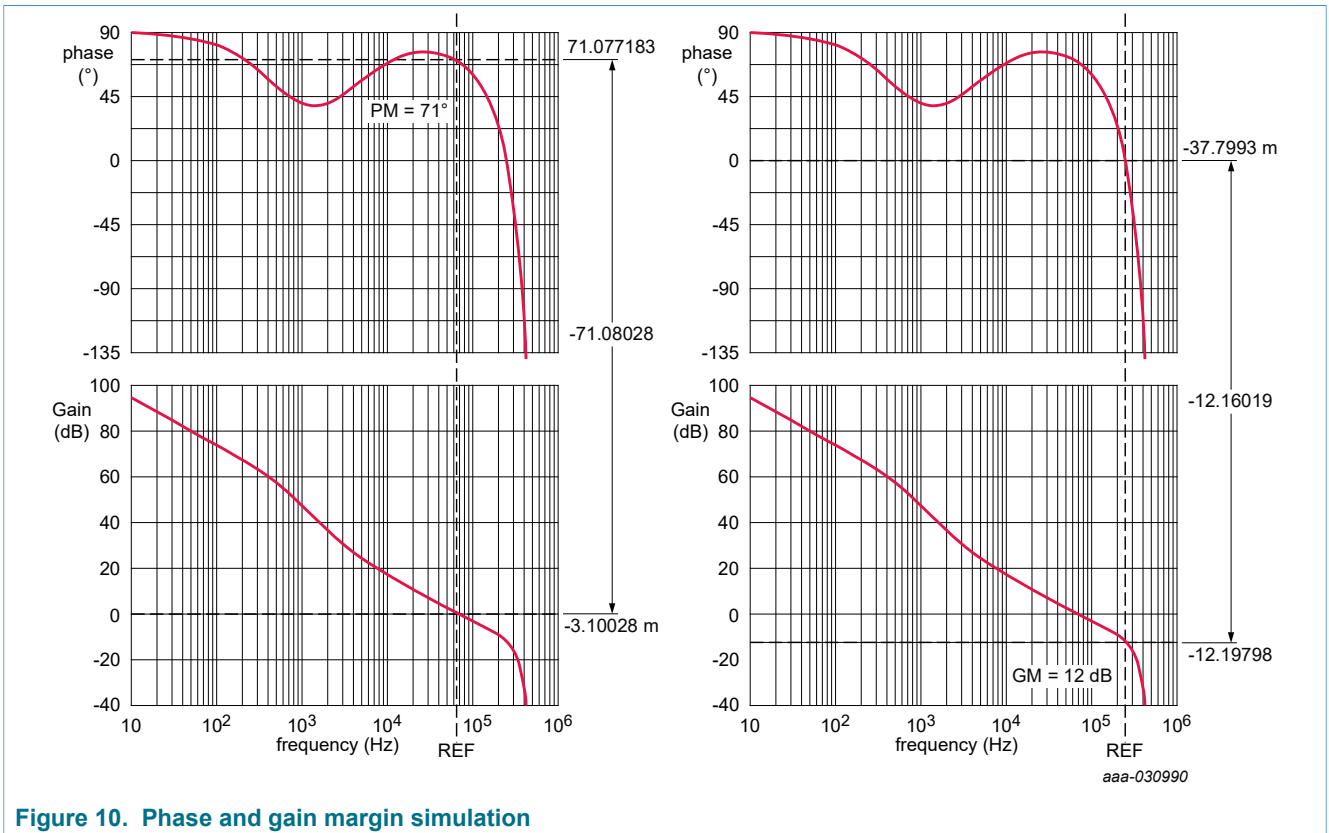


Figure 10. Phase and gain margin simulation

Use case transient response verification

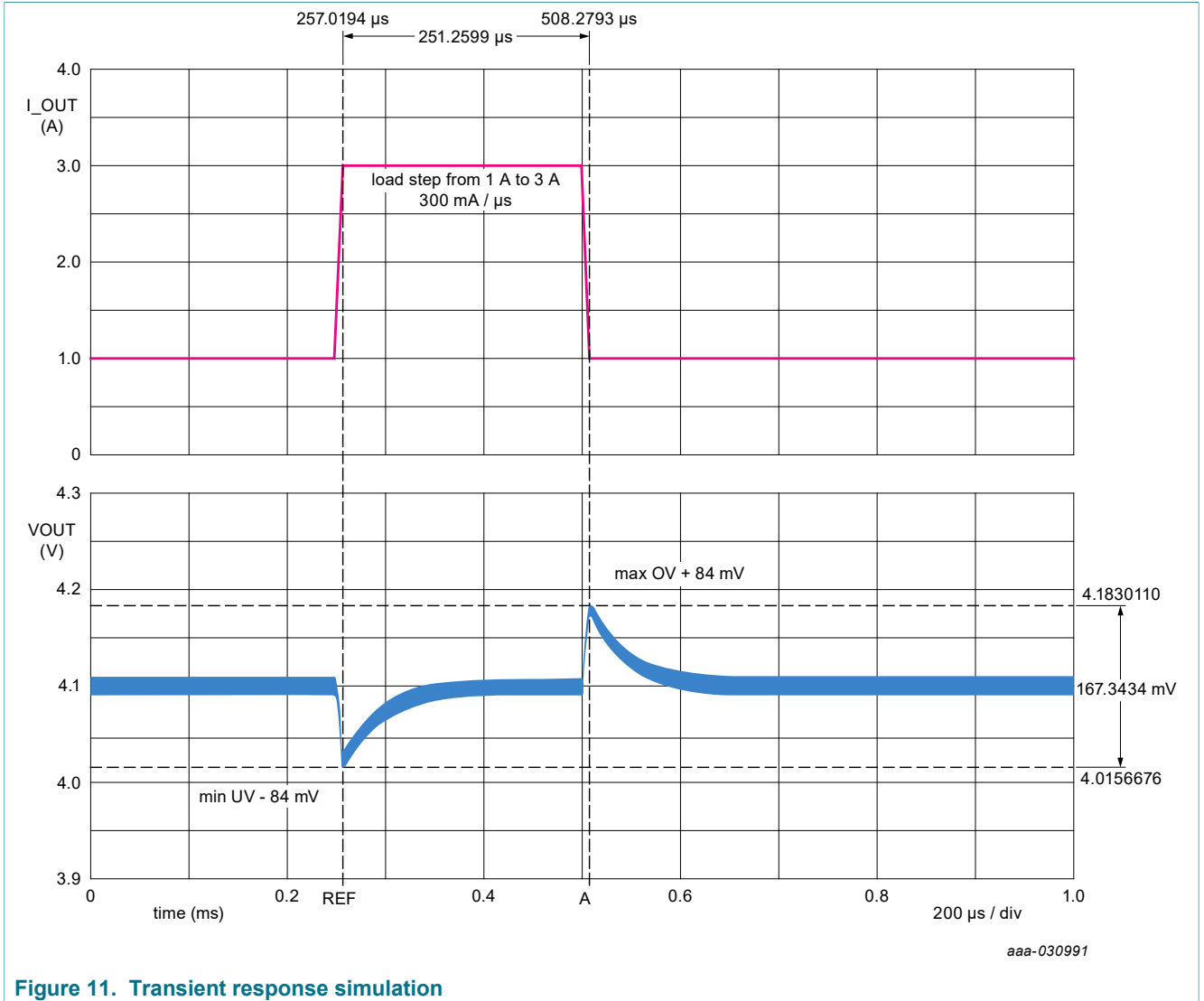


Figure 11. Transient response simulation

14.4 VPRE electrical characteristics

Table 62. VPRE electrical characteristics

$T_A = -40\text{ }^{\circ}\text{C}$ to $125\text{ }^{\circ}\text{C}$, unless otherwise specified. $VSUP = VSUP_UVH$ to 36 V, unless otherwise specified. All voltages referenced to ground.

| Symbol | Parameter | Min | Typ | Max | Unit |
|-----------------------------|--|------|-----|------|------|
| V _{PRE} | Output voltage (OTP_VPREV[5:0] bits) | 3.98 | 4.1 | 4.22 | V |
| | | 4.85 | 5.0 | 5.15 | V |
| V _{PRE_SOFT_START} | Output voltage from 10 % to 90 % | 250 | 450 | 650 | μs |
| | Digital DAC soft start completion | — | — | 1.35 | ms |
| V _{PRE_STARTUP} | Overshoot at startup | — | — | 3 | % |
| V _{PRE_FB_OV} | Overvoltage threshold protection | 5.5 | 6.0 | 6.5 | V |
| T _{PRE_FB_OV} | V _{PRE_FB_OV} filtering time | 1 | 2 | 3 | μs |
| V _{PRE_UVH} | Undervoltage threshold high | 2.9 | — | 3.1 | V |
| V _{PRE_UVL} | Undervoltage threshold low | 2.5 | — | 2.7 | V |
| T _{PRE_UV} | V _{PRE_UVH} and V _{PRE_UVL} filtering time | 6.0 | 10 | 15 | μs |
| F _{PRE_SW} | Switching frequency range (OTP_VPRE_clk_sel bit) | 430 | 455 | 480 | kHz |

| Symbol | Parameter | Min | Typ | Max | Unit |
|--------------------------------|--|------|------|-------|------|
| | | 2.1 | 2.22 | 2.35 | MHz |
| L _{VPRE} | Inductor for F _{PRE_SW} = 455 kHz | 4.7 | 6.8 | 10 | μH |
| | Inductor for F _{PRE_SW} = 2.55 MHz | 1.5 | 2.2 | 4.7 | μH |
| V _{PRE_LOAD_REG_455k} | Transient load regulation at 455 kHz VSUP = 6.0 V to 36 V (L _{VPRE} = 6.8 μH, C _{OUT_PRE} = 66 μF, from 1.0 A to 3.0 A, di/dt = 300 mA/μs) | -3 | — | 3 | % |
| V _{PRE_LOAD_REG_2.2M} | Transient load regulation at 2.22 MHz VSUP = 6.0 V to 18 V (L _{VPRE} = 2.2 μH, C _{OUT_PRE} = 44 μF, from 1.0 A to 3.0 A, di/dt = 300 mA/μs) | -3 | — | 3 | % |
| V _{PRE_LINE_REG_455k} | Transient line regulation at 455 kHz VSUP = 6.0 V to 18 V and VSUP = 12 V to 36 V (C _{in} = 47 μF + PI filter, L _{VPRE} = 6.8 μH, C _{OUT_PRE} = 66 μF, dv/dt = 100 mV/μs) | -3 | — | 3 | % |
| V _{PRE_LINE_REG_2.2M} | Transient line regulation at 2.2 MHz VSUP = 6.0 V to 18 V (C _{in} = 47 μF + PI filter, L _{VPRE} = 6.8 μH, C _{OUT_PRE} = 44 μF, dv/dt = 100 mV/μs) | -3 | — | 3 | % |
| V _{PRE_RIPPLE_455k} | Ripple at 455 kHz VSUP = 12 V and VSUP = 24 V (L _{VPRE} = 6.8 μH, C _{OUT_PRE} = 66 μF, V _{PRE} = 3.3 V and 5.0 V, I _{PRE} = 4.0 A) | 1 | — | 1 | % |
| V _{PRE_RIPPLE_2.2M} | Ripple at 2.22 MHz VSUP = 12 V (L _{VPRE} = 2.2 μH, C _{OUT_PRE} = 44 μF, V _{PRE} = 3.3 V and 5.0 V, I _{PRE} = 2.0 A) | -0.5 | — | 0.5 | % |
| T _{PRE_ON_MIN} | HS minimum ON time | 15 | 25 | 35 | ns |
| T _{PRE_OFF_MIN} | HS minimum OFF time | 20 | 40 | 60 | ns |
| R _{SHUNT} | Current sense resistor (±1 %) | 10 | — | 20 | mΩ |
| V _{PRE_LIM_GAIN} | Current sense amplifier gain | 4.5 | 5 | 5.5 | |
| V _{PRE_LIM_TH1} | Current sense amplifier peak detection threshold (OTP_VPREILIM[1:0] bits) | 37 | 50 | 63 | mV |
| | | 60.8 | 80 | 99.2 | mV |
| | | 93.6 | 120 | 146.4 | mV |
| | | 117 | 150 | 183 | mV |
| I _{LIM_PRE} | I _{LIM_PRE} = V _{PRE_LIM_TH} / R _{SHUNT} Inductor peak current limitation range (R _{SHUNT} = 10 mΩ, V _{PRE_LIM_TH1} = 50 mV) | 3.75 | 5.0 | 6.25 | A |
| | Inductor peak current limitation range (R _{SHUNT} = 10 mΩ, V _{PRE_LIM_TH1} = 150 mV) To be recalculated for different R _{SHUNT} and different V _{PRE_LIM_TH} | 12 | 15 | 18 | A |
| V _{PRE_DRV} | HS and LS gate driver output voltage | — | VBOS | — | V |
| I _{PRE_GATE_DRV} | HS and LS gate driver pull up and pull down current capability (OTP_VPRESRHS[1:0] and OTP_VPRESRLS[1:0] bits by default + VPRESRHS[1:0] and VPRESRLS[1:0] bits by I ² C) | 60 | 130 | 220 | mA |
| | | 120 | 260 | 430 | mA |
| | | 220 | 520 | 860 | mA |
| | | 420 | 900 | 1490 | mA |
| C _{OUT_PRE} | Effective output capacitor for F _{PRE_SW} = 455 kHz | 44 | 66 | 220 | μF |
| | Effective output capacitor for F _{PRE_SW} = 2.22 MHz | 22 | 44 | 110 | μF |
| | Output decoupling capacitor | — | 0.1 | — | μF |
| C _{IN_PRE} | Input capacitor (C _{pi2}) | 20 | — | — | μF |
| | Input decoupling capacitor | — | 0.1 | — | μF |
| I _{PRE_DRV} | Combined HS + LS gate driver average current capability I _{PRE_DRV} < V _{PRE_SW} × (QC _{HS} + QC _{LS}) with QC _{HS} = gate charge of Q2 at VBOS with QC _{LS} = gate charge of Q1 at VBOS | — | — | 30 | mA |
| gmEA | Error amplifier transconductance | 1.0 | 1.5 | 2.1 | mS |

| Symbol | Parameter | Min | Typ | Max | Unit |
|-------------------------|---|-----|-------|------|-------|
| V _{PRE_SLOPE} | Slope compensation (OTP_VPRESC[5:0] bits) | 29 | 40 | 51 | mV/μs |
| | | 36 | 50 | 64 | mV/μs |
| | | 43 | 60 | 77 | mV/μs |
| | | 51 | 70 | 89 | mV/μs |
| | | 58 | 80 | 102 | mV/μs |
| | | 65 | 90 | 115 | mV/μs |
| | | 73 | 100 | 127 | mV/μs |
| | | 102 | 140 | 178 | mV/μs |
| | | 124 | 170 | 216 | mV/μs |
| | | 146 | 200 | 254 | mV/μs |
| 175 | 240 | 305 | mV/μs | | |
| T _{PRE_UV_DFS} | V _{PRE_UVL} filtering time to go to DEEP-FS during VP _{RE} start up | 1.8 | 2 | 2.2 | ms |
| T _{PRE_DT} | Dead time to avoid cross conduction (this timing does not take into account the external FET turn ON/OFF times) | 20 | 30 | 40 | ns |
| R _{PRE_DIS} | Discharge resistor (when VP _{RE} is disabled) | 250 | 500 | 1000 | Ω |
| I _{PRE_SW_LKG} | PRE_SW leakage | — | — | 10 | μA |
| R _{DRV_OFF} | HS and LS gate driver pull-down resistor when VP _{RE} is disabled | 5 | — | 35 | kΩ |
| R _{BOOT_OFF} | PRE_BOOT pull-down resistor when VP _{RE} is disabled | 1.2 | — | 2.6 | kΩ |
| I _{BOOT_LKG} | PRE_BOOT leakage | — | — | 10 | μA |

14.5 VP_{RE} external MOSFETs

MOSFETs selection:

- Logical level NMOS, gate drive comes from VBOS (5.0 V)
- VDS > 60 V for 24 V truck, bus applications
- VDS > 40 V for 12 V automotive applications
- Qg < 15 nC at Vgs = 5.0 V is recommended for 455 kHz
- Qg < 7 nC at Vgs = 5.0 V is recommended for 2.22 MHz
- Recommended references

Table 63. VP_{RE} external MOSFETs recommendation

| Applications | F _{pre} | I _{pre} < 2.0 A | I _{pre} < 4.0 A | I _{pre} < 6.0 A | I _{pre} < 10 A |
|--------------|------------------|-----------------------------|-----------------------------|-----------------------------|---|
| 12 V | 455 kHz | BUK9K25-40E, BUK9K18-40E | BUK9K25-40E, BUK9K18-40E | BUK9K18-40E | BUK9K18-40E, NVTFS5C471NLWFTAG, HS = BUK9M9R5-40H, LS = BUK9M3R3-40H |
| | 2.22 MHz | BUK9K25-40E, BUK9Y29-40E | BUK9K25-40E, BUK9Y29-40E | BUK9K25-40E, BUK9Y29-40E | na |
| 24 V | 455 kHz | BUK9K35-60E, BUK9K52-60E | BUK9K35-60E, BUK9K52-60E | BUK9K35-60E | BUK9K12-60E |

Other MOSFETs are possible but should have similar performances as compared to the recommended references. The maximum current at 2.22 MHz is limited to 6.0 A for which the efficiency is equivalent to 10 A at 455 kHz. The power dissipation in the external MOSFETs is important and the junction temperature may rise above 175 °C.

VP_{RE} switching slew rate can be configured by I²C to align with external MOSFET selection, VP_{RE} switching frequency, and to optimize power dissipation and EMC performance. It is recommended to configure the maximum slew rate by OTP and reduce it later by I²C if needed. FS5502 is using current source to drive the external MOSFET so adding an external serial resistor with the gate does not affect the slew rate. It is recommended to change the current source selection by I²C to change the slew rate.

VPRE MOSFET switching time can be estimated to $T_{SW} = (Q_{GD} + Q_{GS} / 2) / I_{PRE_GATE_DRV}$ using the gate charge definition from Figure 12. Q_{GD} and Q_{GS} can be extracted from the MOSFET data sheet.

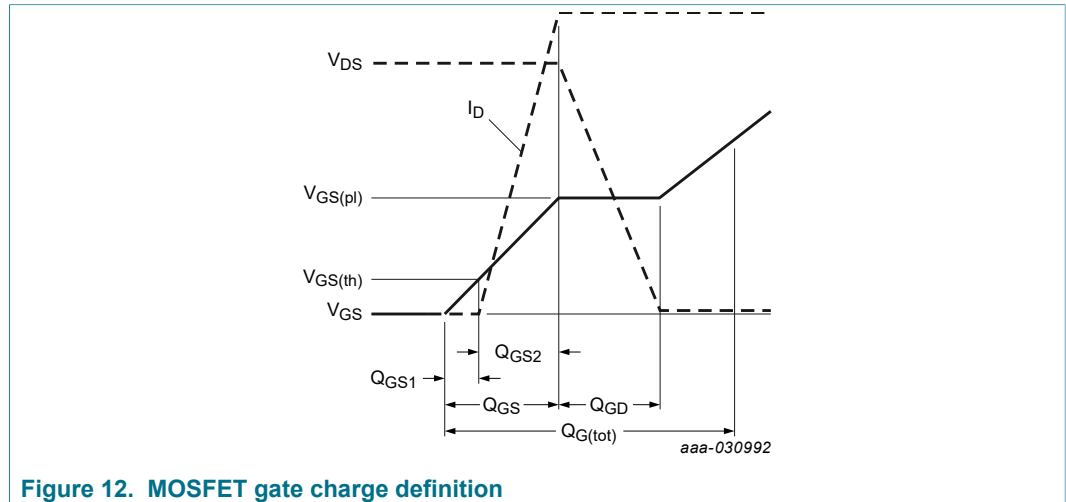


Figure 12. MOSFET gate charge definition

14.6 VPRE efficiency

VPRE efficiency versus current load is given for information based on external component criteria provided and VSUP voltage 14 V. If the conditions change, it has to be recalculated with the FS5502_PDTCAL tool. The real efficiency has to be verified by measurement at the application level.

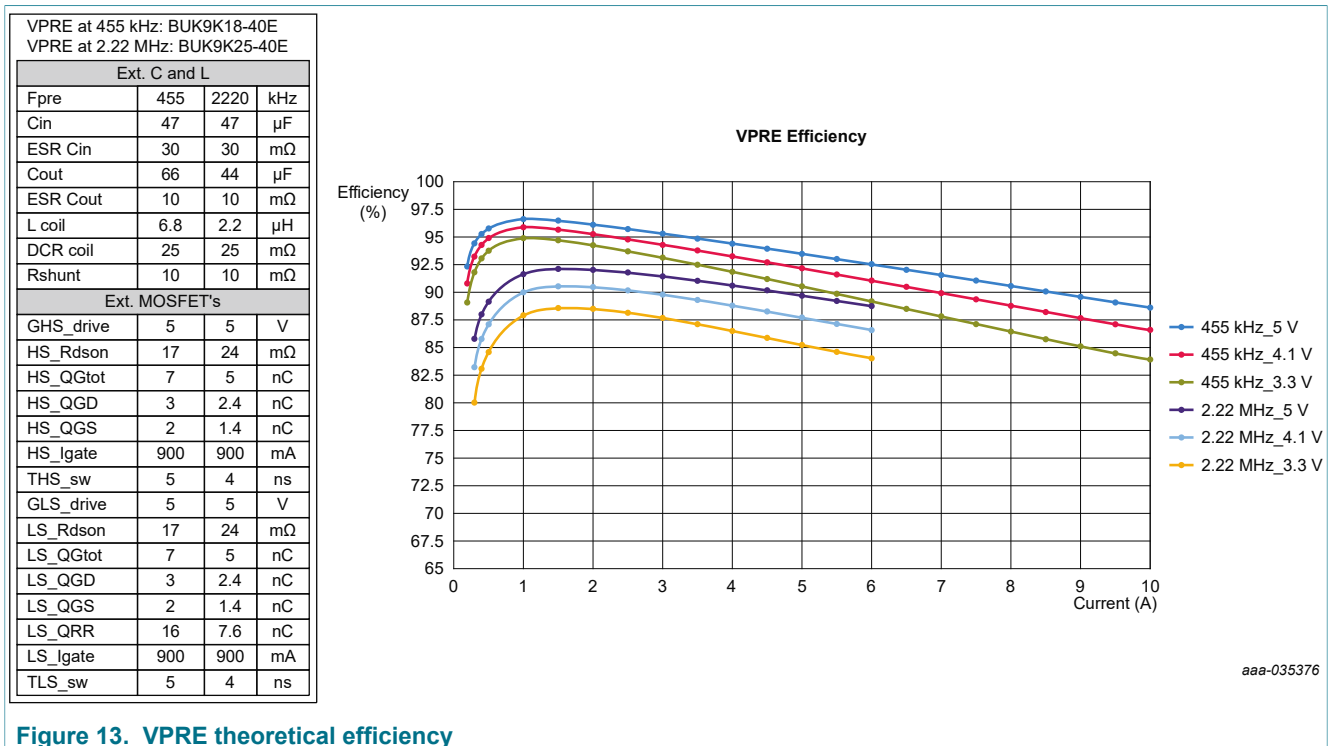


Figure 13. VPRE theoretical efficiency

14.7 VPRES not populated

When two FS5502 are used, only one VPRES may be required. It is possible to not populate the external components of the second VPRES to optimize the bill of material.

In that case, specific connection of the VPRES2 pins is required:

- PRE_FB2 must be connected to PRE_FB1
- PRE_CSP2 must be connected to PRE_FB1
- PRE_COMP2 must be left open
- PRE_SW2 must be connected to GND
- PRE_BOOT2 must be connected to VBOS2
- PRE_GHS2 and PRE_GLS2 must be left open

After the startup phase, VPRES2 shall be disabled by I²C with VPRE2 bit.

15 Low voltage buck: BUCK1

15.1 Functional description

BUCK1 block is low voltage, synchronous, valley current mode buck converters with integrated HS PMOS and LS NMOS. BUCK1 works in force with PWM. The output voltage is configurable by OTP from 0.8 V to 1.8 V, the switching frequency is 2.22 MHz and the output current is limited to 3.6 A peak. The input of these blocks must be connected to the output of VPRES. The stability is ensured by an internal Type 2 compensation network with slope compensation.

By default, BUCK1 switching frequency is derived from the internal oscillator and can be synchronized with an external frequency signal applied on FIN input pin. The change from internal oscillator to external clock or vice versa is controlled by I²C.

An overcurrent detection and a thermal shutdown are implemented on BUCK1 to protect the internal MOSFETs. The overcurrent induces a duty cycle reduction that could lead to the output voltage gradually dropping, causing an undervoltage condition.

The ramp up and ramp down of BUCK1 when they are enabled and disabled is configurable with OTP_DVS_BUCK1[1:0] bits to accommodate multiple MCU soft start requirements. Static Voltage Scaling (SVS) feature is available to decrease the output voltage after power up during INIT_FS. Programmable phase shift control is implemented, see [Section 18 "Clock management"](#).

15.2 Application schematic: Single phase mode

In this configuration, BUCK1 output is configured and controlled independently by I²C.

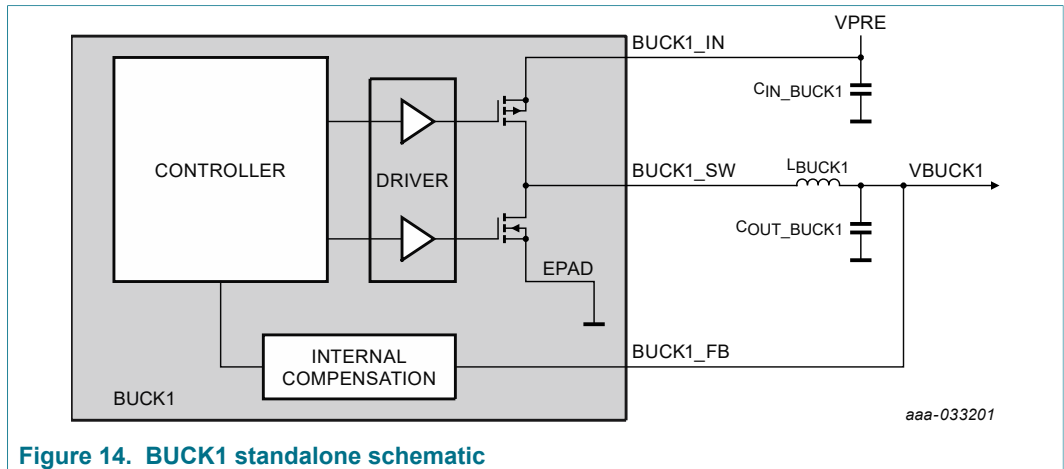


Figure 14. BUCK1 standalone schematic

15.3 Compensation network and stability

The internal compensation network ensures the stability and the transient response performance of the buck converter. The error amplifier gain is configurable with OTP_VB1GMCOMP[2:0] bits for BUCK 1 regulator. It is recommended to use the default value that covers most of the use cases.

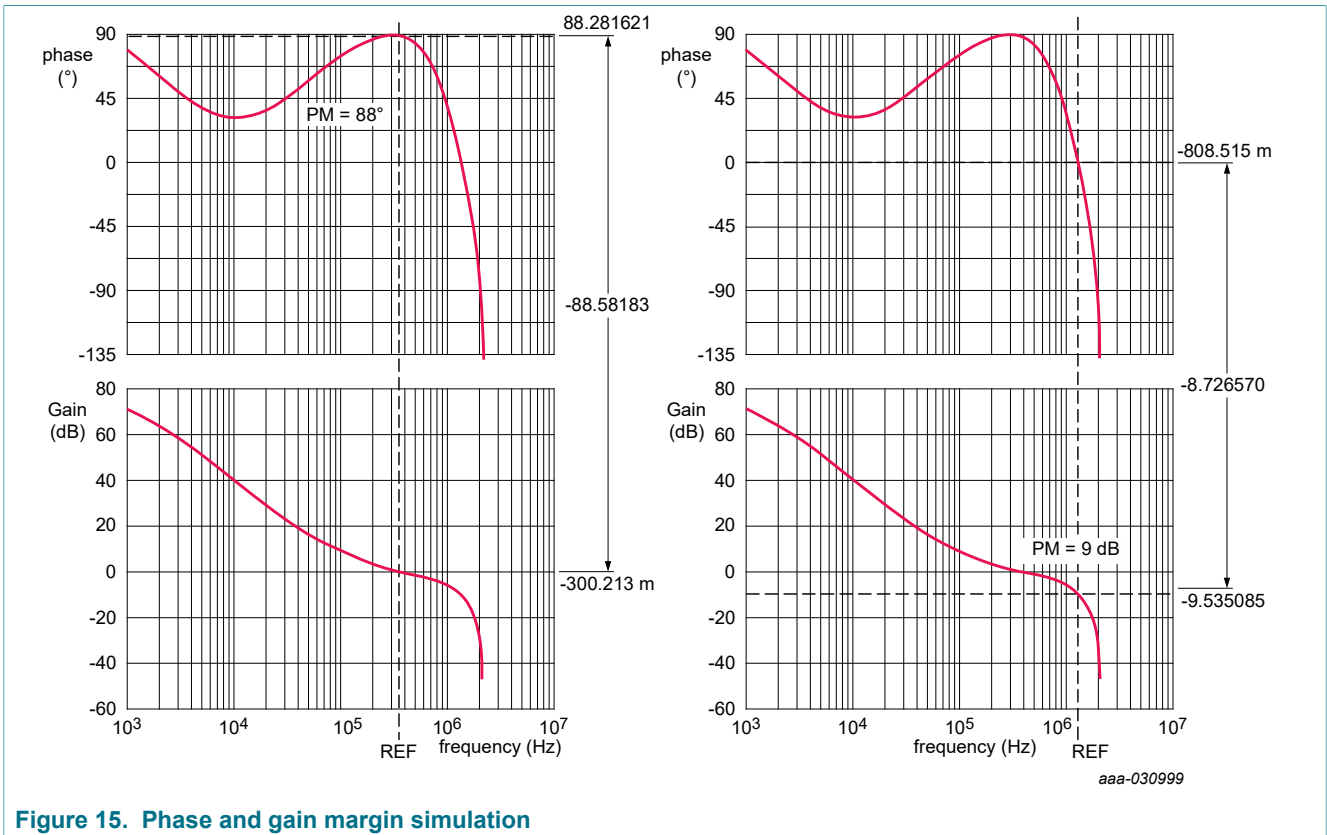
Decreasing the gain reduces the regulation bandwidth and increase the phase and gain margin but transient performance is degraded. Increasing the gain enlarges the regulation bandwidth and improves the transient performance but the phase and gain margin is degraded.

OTP_VB1INDOPT[1:0] scales the slope compensation and the zero cross detection according to the inductor value. 1.0 μH is the recommended inductor value for BUCK1.

Use case with $V_{\text{PRE}} = 4.1 \text{ V}$, $V_{\text{BUCK1}} = 1.0 \text{ V}$, $L_{\text{BUCK1}} = 1.0 \mu\text{H}$, $V_{\text{BUCK1_SW}} = 2.22 \text{ MHz}$, $C_{\text{OUT_BUCK1}} = 44 \mu\text{F}$, default Err Amp gain

Use case stability verification

- Phase margin target $\text{PM} > 45^\circ$ and gain margin target $\text{GM} > 6 \text{ dB}$.



Use case transient response verification

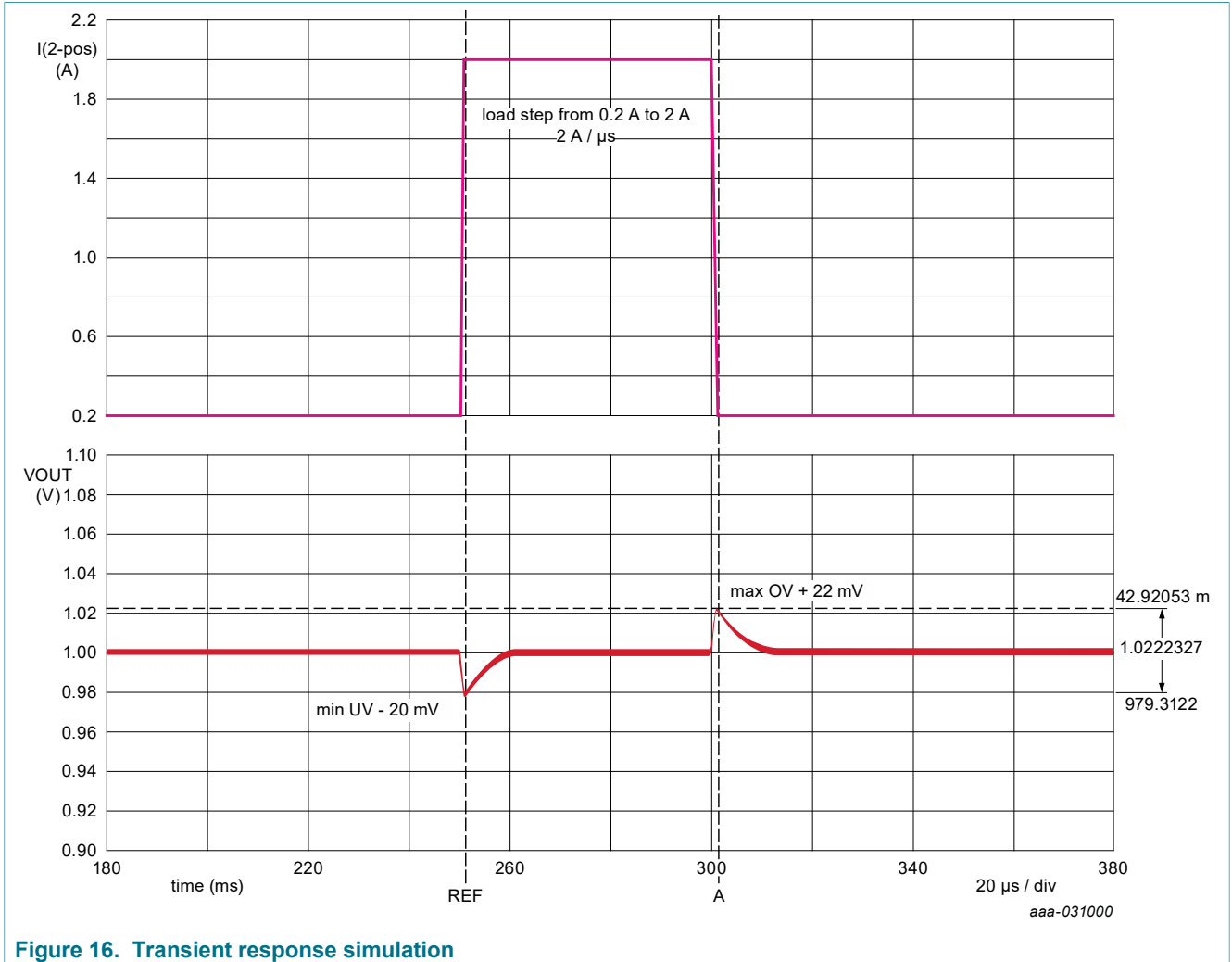


Figure 16. Transient response simulation

15.4 BUCK1 electrical characteristics

Table 64. BUCK1 electrical characteristics

$T_A = -40\text{ }^{\circ}\text{C}$ to $125\text{ }^{\circ}\text{C}$, unless otherwise specified. $VSUP = VSUP_UVH$ to 36 V, unless otherwise specified. All voltages referenced to ground.

| Symbol | Parameter | Min | Typ | Max | Unit |
|------------------|--|------|------|------|---------------|
| V_{BUCK1_IN} | Input voltage range | 2.5 | — | 5.5 | V |
| V_{BUCK1} | Output voltage (OTP_VB1V[7:0]) 0.8 V, 0.9 V, 0.95 V, 1.0 V, 1.025 V, 1.03125 V, 1.1 V, 1.2 V, 1.25 V, 1.3 V, 1.35 V, 1.4 V, 1.5 V, 1.8 V | 0.8 | — | 1.8 | V |
| I_{BUCK1} | DC output current capability (one phase) | — | — | 2.5 | A |
| V_{BUCK1_ACC} | Output voltage accuracy ($I_{OUT} < 2.5\text{ A}$) | -2 | — | +2 | % |
| V_{BUCK1_SW} | Switching frequency range | 2.1 | 2.22 | 2.35 | MHz |
| L_{BUCK1} | Inductor for $V_{BUCK1_SW} = 2.22\text{ MHz}$ (OTP_VB1INDOPT[1:0]) | 0.47 | 1.0 | 1.5 | μH |
| C_{OUT_BUCK1} | Effective output capacitor | 40 | — | 160 | μF |
| | Output decoupling capacitor | — | 0.1 | — | μF |
| C_{IN_BUCK1} | Input capacitor (close to BUCK1_IN) | 4.7 | — | — | μF |
| | Input decoupling capacitor (close to BUCK1_IN) | — | 0.1 | — | μF |
| V_{BUCK1_TLR} | Transient load regulation for $V_{BUCK1} < 1.2\text{ V}$ ($C_{out} = 44\text{ }\mu\text{F}$, from 200 mA to 1.0 A, $di/dt = 2.0\text{ A}/\mu\text{s}$) ($C_{out} = 44\text{ }\mu\text{F}$, from 400 mA to 2.0 A, $di/dt = 4.0\text{ A}/\mu\text{s}$) | -25 | — | +25 | mV |

| Symbol | Parameter | Min | Typ | Max | Unit |
|---|---|-------|-------|-------|-------------|
| V_{BUCK1_TLR} | Transient load regulation for $V_{BUCK1} > 1.2$ V ($C_{out} = 44 \mu F$, from 200 mA to 1.0 A, $di/dt = 2.0$ A/ μs) ($C_{out} = 44 \mu F$, from 400 mA to 2.0 A, $di/dt = 4.0$ A/ μs) | -3 | — | +3 | % |
| I_{LIM_BUCK1} | Inductor peak current limitation range for one phase (OTP_VB1SWILIM[1:0]) | 3.6 | 4.5 | 5.45 | A |
| $V_{BUCK1_DVS_UP}$ (for V_{BUCK1} up to 1.5 V) | Ramp up speed, OTP_DVS_BUCK1[1:0] = 00 | 5.86 | 7.81 | 9.77 | mV/ μs |
| | Ramp up speed, OTP_DVS_BUCK1[1:0] = 01 | 2.34 | 3.13 | 3.91 | mV/ μs |
| | Ramp up speed, OTP_DVS_BUCK1[1:0] = 10 | 1.95 | 2.60 | 3.26 | mV/ μs |
| | Ramp up speed, OTP_DVS_BUCK1[1:0] = 11 | 1.67 | 2.23 | 2.79 | mV/ μs |
| $V_{BUCK1_DVS_UP}$ (for $V_{BUCK1} = 1.8$ V) | Ramp up speed, OTP_DVS_BUCK1[1:0] = 00 | 7.33 | 9.763 | 12.21 | mV/ μs |
| | Ramp up speed, OTP_DVS_BUCK1[1:0] = 01 | 2.93 | 3.91 | 4.89 | mV/ μs |
| | Ramp up speed, OTP_DVS_BUCK1[1:0] = 10 | 2.44 | 3.25 | 4.08 | mV/ μs |
| | Ramp up speed, OTP_DVS_BUCK1[1:0] = 11 | 2.09 | 2.79 | 3.49 | mV/ μs |
| $V_{BUCK1_DVS_DOWN}$ (for V_{BUCK1} up to 1.5 V) | Ramp down speed, OTP_DVS_BUCK1[1:0] = 00 | 3.91 | 5.21 | 6.51 | mV/ μs |
| | Ramp down speed, OTP_DVS_BUCK1[1:0] = 01 | 2.34 | 3.13 | 3.91 | mV/ μs |
| | Ramp down speed, OTP_DVS_BUCK1[1:0] = 10 | 1.95 | 2.6 | 3.26 | mV/ μs |
| | Ramp down speed, OTP_DVS_BUCK1[1:0] = 11 | 1.67 | 2.23 | 2.79 | mV/ μs |
| $V_{BUCK1_DVS_DOWN}$ (for $V_{BUCK1} = 1.8$ V) | Ramp down speed, OTP_DVS_BUCK1[1:0] = 00 | 4.89 | 6.51 | 8.14 | mV/ μs |
| | Ramp down speed, OTP_DVS_BUCK1[1:0] = 01 | 2.93 | 3.91 | 4.89 | mV/ μs |
| | Ramp down speed, OTP_DVS_BUCK1[1:0] = 10 | 2.44 | 3.25 | 4.08 | mV/ μs |
| | Ramp down speed, OTP_DVS_BUCK1[1:0] = 11 | 2.09 | 2.79 | 3.49 | mV/ μs |
| $T_{BUCK1_SOFT_START}$ | $V_{BUCK1_SOFT_START} = V_{BUCK1} / V_{BUCK1_DVS_UP}$ Soft start for $V_{BUCK1} = 1.2$ V and OTP_DVS_BUCK1[1:0] = 00 | 122.9 | 153.6 | 204.8 | μs |
| | Soft start for $V_{BUCK1} = 1.2$ V and OTP_DVS_BUCK1[1:0] = 11 To be recalculated for different V_{BUCK1} and different $V_{BUCK1_DVS_UP}$ | 430.1 | 538.1 | 718.5 | μs |
| $V_{BUCK1_STARTUP}$ | Overshoot at startup | — | — | 50 | mV |
| $T_{BUCK1_OFF_MIN}$ | HS minimum OFF time | 9 | 30 | 54 | ns |
| T_{BUCK1_DT} | Dead time to avoid cross conduction | 0.01 | 3 | 20 | ns |
| $R_{BUCK1_HS_RON}$ | HS PMOS R_{DSon} | — | — | 135 | m Ω |
| $R_{BUCK1_LS_RON}$ | LS NMOS R_{DSon} | — | — | 80 | m Ω |
| R_{BUCK1_DISch} | Discharge resistance (when BUCK1 is disabled) | 250 | 500 | 1000 | Ω |
| TSD_{BUCK1} | Thermal shutdown threshold | 160 | — | — | $^{\circ}C$ |
| TSD_{BUCK1_HYST} | Thermal shutdown threshold hysteresis | — | 9 | — | $^{\circ}C$ |
| T_{BUCK1_TSD} | Thermal shutdown filtering time | 3 | 5 | 8 | μs |

15.5 BUCK1 efficiency

BUCK1 efficiency versus current load is given for information based on external component criteria provided and VPRE voltage 4.1 V. If the conditions change, it has to be recalculated with the VR5502_PDTICAL tool. The real efficiency has to be verified by measurement at the application level.

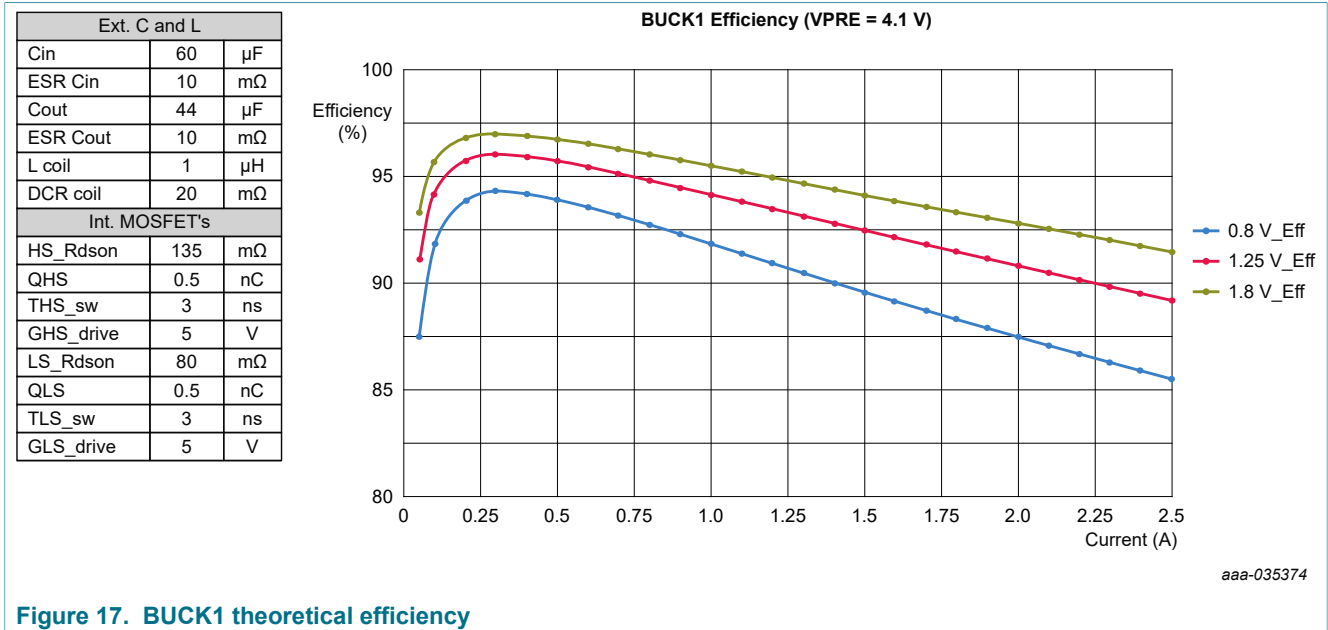


Figure 17. BUCK1 theoretical efficiency

16 Low voltage buck: BUCK3

16.1 Functional description

BUCK3 block is a low voltage, synchronous, peak current mode buck converter with integrated HS PMOS and LS NMOS. BUCK3 works in force PWM and the output voltage is configurable by OTP from 1.0 V to 3.3 V, the switching frequency is 2.22 MHz and the output current is limited to 3.6 A peak. The input of this block can be connected to the output of VPRE. The stability is ensured by an internal Type 2 compensation network with slope compensation.

By default, BUCK3 switching frequency is derived from the internal oscillator, and can be synchronized with an external frequency signal applied on FIN input pin. The change from internal oscillator to external clock or vice versa is controlled by I²C.

An overcurrent detection and a thermal shutdown are implemented on BUCK3 to protect the internal MOSFETs. The overcurrent induces a duty cycle reduction that could lead to the output voltage gradually dropping, causing an undervoltage condition.

BUCK3 is part number dependent according to OTP_BUCK3EN bit. BUCK3_INQ pin, used to bias internal BUCK3 driver, and must be connected to the same source pin as BUCK3_IN pin. The ramp up and ramp down of BUCK3 when it is enabled and disabled is configurable with OTP_DVS_BUCK3[1:0] bits to accommodate multiple MCU soft start requirements.

Programmable phase shift control is implemented, see [Section 18 "Clock management"](#).

16.2 Application schematic

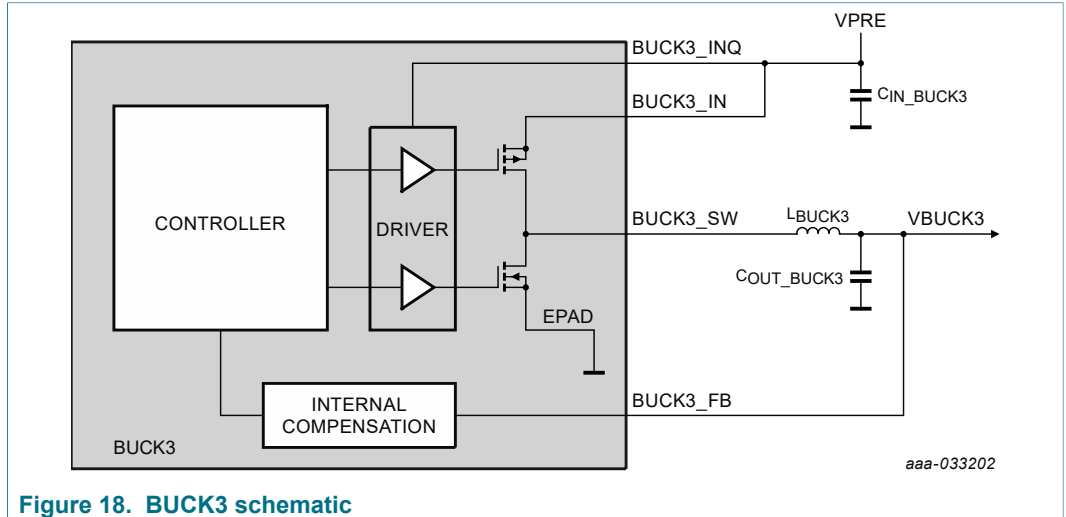


Figure 18. BUCK3 schematic

16.3 Compensation network and stability

The internal compensation network ensures the stability and the transient response performance of the buck converter. OTP_VB3INDOPT[1:0] scales the slope compensation and the zero cross detection according to inductor value. 1.0 μH is the recommended inductor value for BUCK3.

Use case with $V_{PRE} = 4.1\text{ V}$, $V_{BUCK3} = 2.3\text{ V}$, $L_{VBUCK3} = 1.0\text{ }\mu\text{H}$, $V_{BUCK3_SW} = 2.22\text{ MHz}$, $C_{OUT_BUCK3} = 44\text{ }\mu\text{F}$

Use case stability verification

- Phase margin target $PM > 45^\circ$ and gain margin target $GM > 6\text{ dB}$.

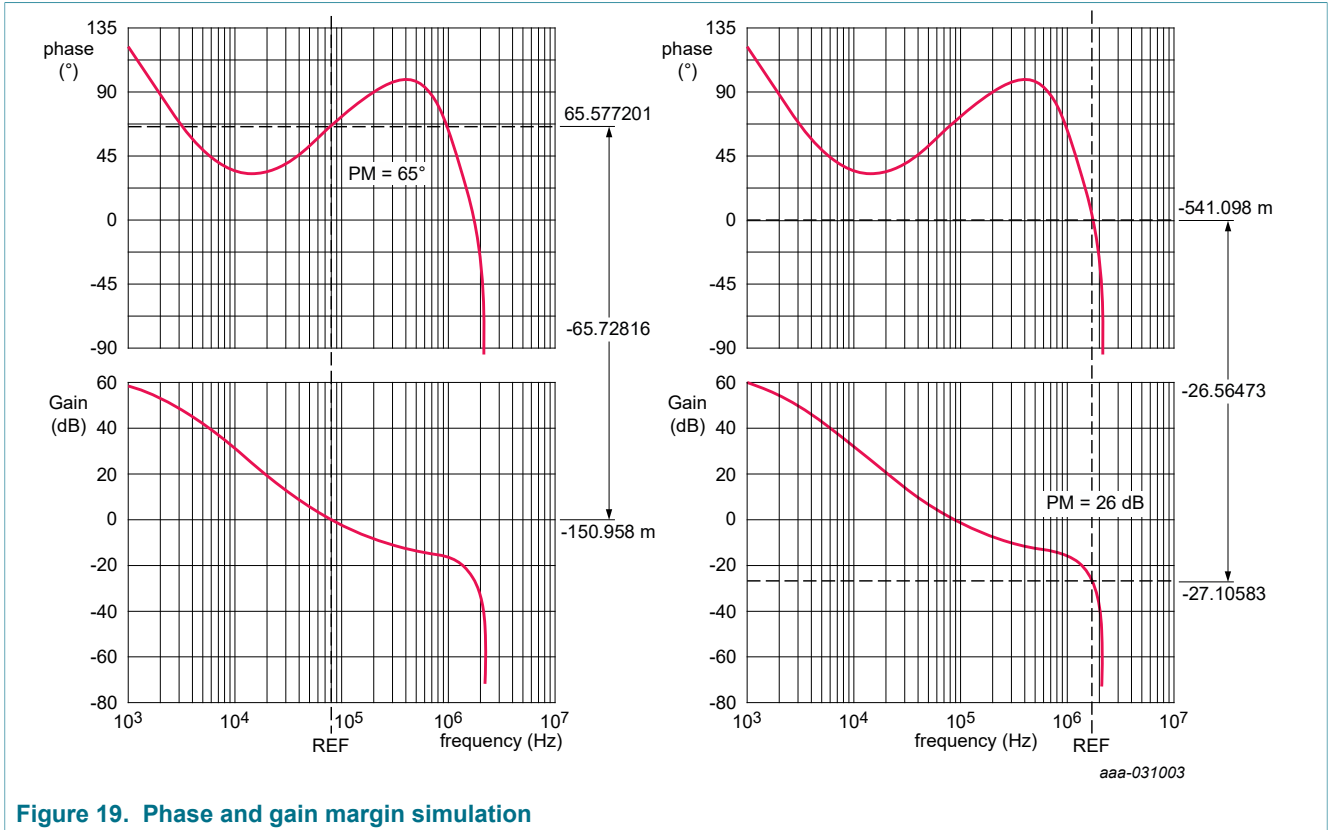
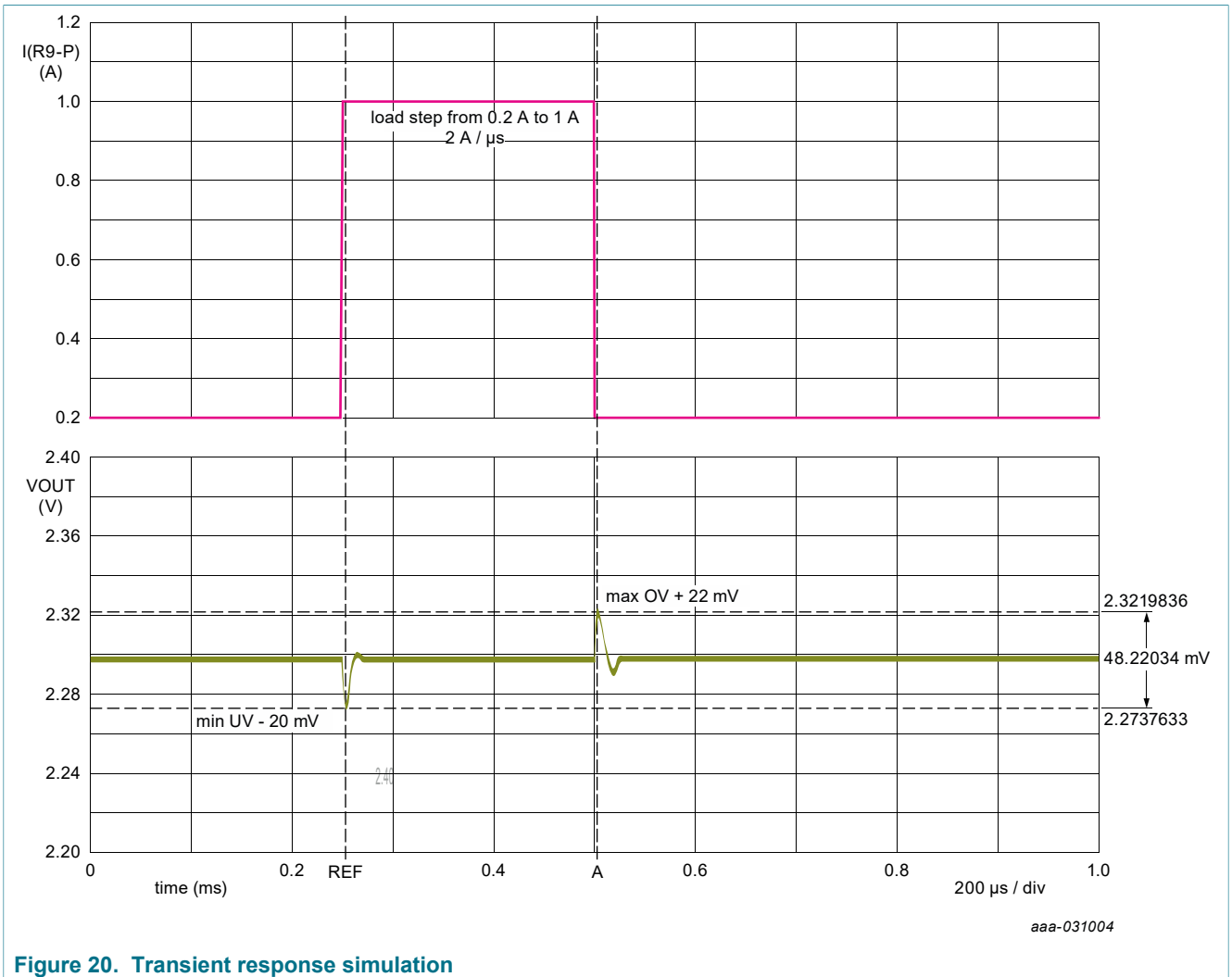


Figure 19. Phase and gain margin simulation

Use case transient response verification



16.4 BUCK3 electrical characteristics

Table 65. BUCK3 electrical characteristics

$T_A = -40\text{ }^{\circ}\text{C}$ to $125\text{ }^{\circ}\text{C}$, unless otherwise specified. $VSUP = VSUP_UVH$ to 36 V , unless otherwise specified. All voltages referenced to ground.

| Symbol | Parameter | Min | Typ | Max | Unit |
|----------------------------|--|-------|-------|--------|--------------------|
| V_{BUCK3_IN} | Input voltage range | 2.5 | — | 5.5 | V |
| V_{BUCK3} | Output voltage (OTP_VB3V[4:0] bits) 1.0 V, 1.1 V, 1.2 V, 1.25 V, 1.3 V, 1.35 V, 1.5 V, 1.6 V, 1.8 V, 2.3 V, 2.5 V, 2.8 V, 3.3 V | 1.0 | — | 3.3 | V |
| I_{BUCK12} | DC output current capability | — | 2.5 | — | A |
| V_{BUCK3_ACC} | Output voltage accuracy (Iout < 2.5 A) | -2 | — | +2 | % |
| V_{BUCK3_SW} | Switching frequency range | 2.1 | 2.22 | 2.35 | MHz |
| L_{BUCK3} | Inductor for $V_{BUCK3_SW} = 2.22\text{ MHz}$ (OTP_VB3INDOPT[1:0] bits) | 0.47 | 1.0 | 1.5 | μH |
| C_{OUT_BUCK3} | Effective output capacitor | 40 | — | 120 | μF |
| | Output decoupling capacitor | — | 0.1 | — | μF |
| C_{IN_BUCK3} | Effective input capacitor (close to BUCK3_IN pin) | 4.7 | — | — | μF |
| | Input decoupling capacitor (close to BUCK3_IN pin) | — | 0.1 | — | μF |
| V_{BUCK3_TLR} | Transient load regulation (Cout = 44 μF , from 200 mA to 1.0 A, di/dt = 2.0 A/ μs) | -50 | — | +50 | mV |
| I_{LIM_BUCK3} | Inductor peak current limitation range (OTP_VB3SWILIM[1:0] bits) | 2.0 | 2.6 | 3.1 | A |
| | | 3.6 | 4.5 | 5.45 | A |
| $T_{BUCK3_ON_MIN}$ | HS minimum ON time | 5 | 50 | 80 | ns |
| $V_{BUCK3_DVS_UP_DOWN}$ | Ramp up and ramp down speed, OTP_DVS_BUCK3[1:0] = 00 | 7.81 | 10.42 | 13.02 | mV/ μs |
| | Ramp up and ramp down speed, OTP_DVS_BUCK3[1:0] = 01 | 2.6 | 3.47 | 4.34 | mV/ μs |
| | Ramp up and ramp down speed, OTP_DVS_BUCK3[1:0] = 10 | 1.95 | 2.6 | 3.26 | mV/ μs |
| | Ramp up and ramp down speed, OTP_DVS_BUCK3[1:0] = 11 | 1.56 | 2.08 | 2.60 | mV/ μs |
| $T_{BUCK3_SOFT_START}$ | $V_{BUCK3_SOFT_START} = V_{BUCK3} / V_{BUCK3_DVS_UP}$ Soft start for $V_{BUCK3} = 1.8\text{ V}$ and OTP_DVS_BUCK3[1:0] = 00 | 84.8 | 105.6 | 140.08 | μs |
| | Soft start for $V_{BUCK3} = 1.8\text{ V}$ and OTP_DVS_BUCK3[1:0] = 11 To be recalculated for different V_{BUCK3} and different $V_{BUCK3_DVS_UP_DOWN}$ | 422.4 | 528 | 704 | μs |
| $V_{BUCK3_STARTUP}$ | Overshoot at startup | — | — | 50 | mV |
| T_{BUCK3_DT} | Dead time to avoid cross conduction | 0.01 | 3 | 20 | ns |
| $R_{BUCK3_HS_RON}$ | HS PMOS RDSon | — | — | 135 | m Ω |
| $R_{BUCK3_LS_RON}$ | LS NMOS RDSon | — | — | 80 | m Ω |
| R_{BUCK3_DISCH} | Discharge resistance (when BUCK3 is disabled) | 250 | 500 | 1000 | Ω |
| TSD_{BUCK3} | Thermal shutdown threshold | 160 | — | — | $^{\circ}\text{C}$ |
| TSD_{BUCK3_HYST} | Thermal shutdown threshold hysteresis | — | 9 | — | $^{\circ}\text{C}$ |
| T_{BUCK3_TSD} | Thermal shutdown filtering time | 3 | 5 | 8 | μs |

16.5 BUCK3 efficiency

BUCK3 efficiency versus current load is given for information based on external component criteria provided and VPRE voltage 4.1 V. If the conditions change, it has to be recalculated with the FS5502_PDTCAL tool. The real efficiency has to be verified by measurement at the application level.

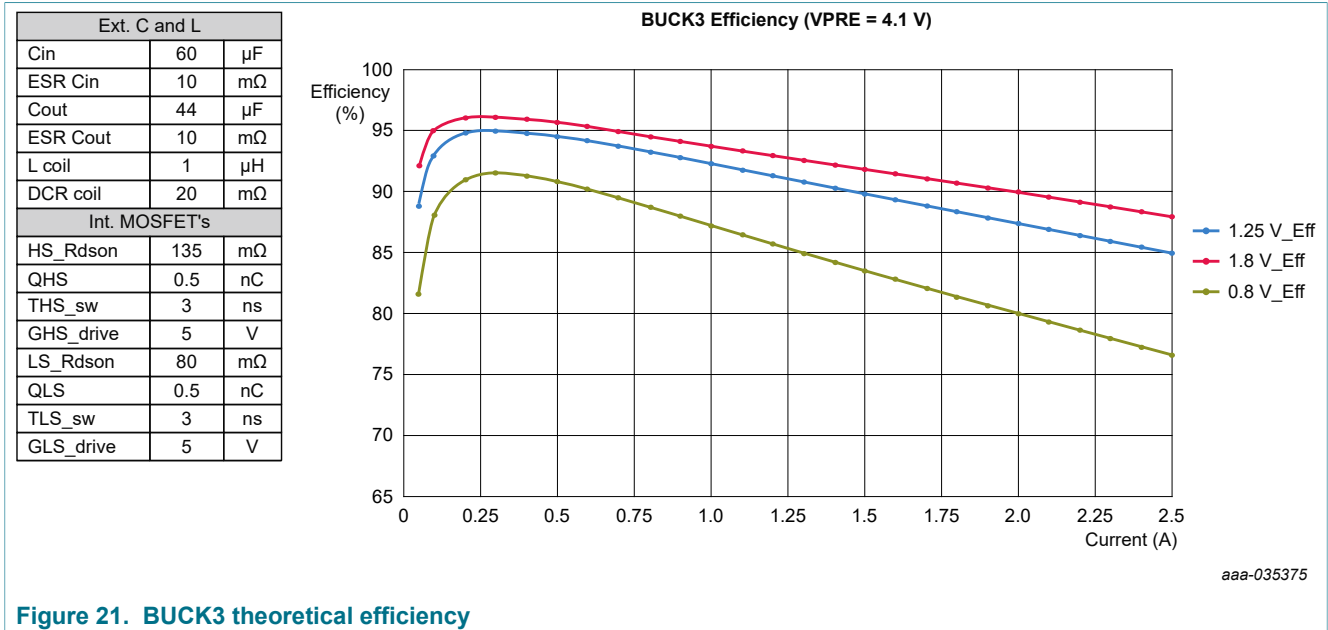


Figure 21. BUCK3 theoretical efficiency

17 Linear voltage regulator: LDO1

17.1 Functional description

An LDO1 block is a linear voltage regulator. The output voltage is configurable by OTP from 1.1 V to 5.0 V. A minimum voltage drop is required depending on the output current capability (0.5 V for 150 mA and 1.0 V for 400 mA). The LDO current capability is linear with the voltage drop and can be estimated to $I(\text{mA}) = 500 \times V_{\text{LDO1_DROP}} - 100$ for intermediate voltage drop between 0.5 V and 1.0 V.

LDO1 input supply is externally connected to VPRES or another supply. An overcurrent detection and a thermal shutdown are implemented on LDO1 to protect the internal pass device.

17.2 Application schematics

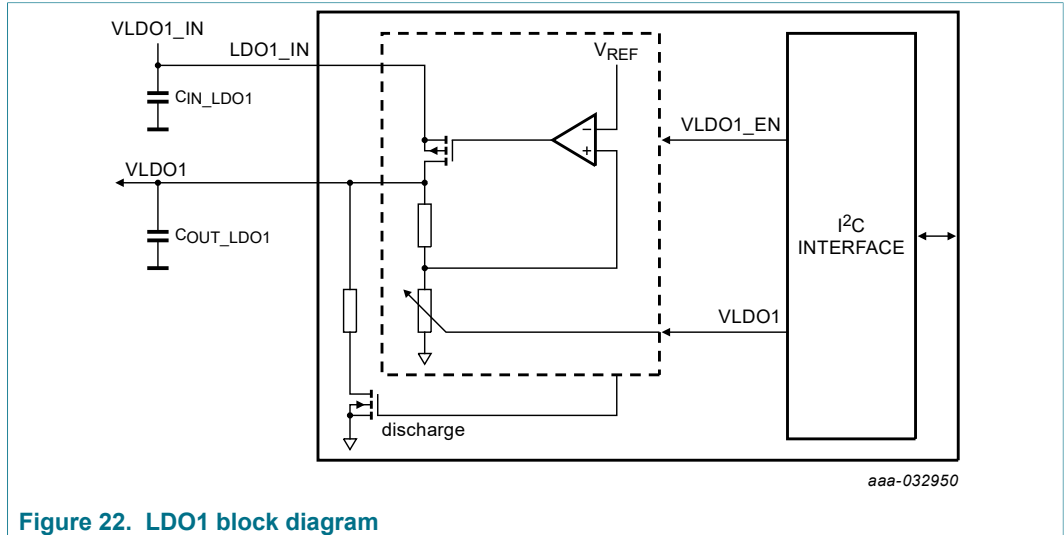


Figure 22. LDO1 block diagram

17.3 LDO1 electrical characteristics

Table 66. LDO1 electrical characteristics

$T_A = -40\text{ }^\circ\text{C}$ to $125\text{ }^\circ\text{C}$, unless otherwise specified. $V_{SUP} = V_{SUP_UVH}$ to 36 V, unless otherwise specified. All voltages referenced to ground.

| Symbol | Parameter | Min | Typ | Max | Unit |
|-------------------------|--|-----|-----|-----|------------------|
| V_{LDO1_IN} | Input voltage range | 2.5 | — | 6.5 | V |
| V_{LDO1} | Output voltage (OTP_VLDO1V[2:0]) 1.1 V, 1.2 V, 1.6 V, 1.8 V, 2.5 V, 2.8 V, 3.3 V, 5.0 V | 1.1 | — | 5.0 | V |
| $V_{LDO1_ACC_150}$ | Output voltage accuracy, 150 mA current capability | -2 | — | +2 | % |
| $V_{LDO1_ACC_400}$ | Output voltage accuracy, 400 mA current capability | -3 | — | +3 | % |
| $V_{LDO1_DROP_150}$ | Minimum voltage drop for 150 mA current capability | 0.5 | — | — | V |
| $V_{LDO1_DROP_400}$ | Minimum voltage drop for 400 mA current capability | 1.0 | — | — | V |
| C_{IN_LDO1} | Input capacitor (close to LDO1_IN pin) | 1.0 | — | — | μF |
| $C_{OUT_LDO1_150}$ | Output capacitor, 150 mA current capability | 4.7 | — | 10 | μF |
| $C_{OUT_LDO1_400}$ | Output capacitor, 400 mA current capability | 6.8 | — | 10 | μF |
| C_{OUT_LDO1} | Output decoupling capacitor | 0.1 | — | — | μF |
| $V_{LDO1_LTR_150}$ | Transient load regulation (from 10 mA to 150 mA in 2.0 μs) | -4 | — | +4 | % |
| $V_{LDO1_LTR_400}$ | Transient load regulation (from 10 mA to 400 mA in 4.0 μs) | -5 | — | +5 | % |
| V_{LDO1_LR} | Line regulation | — | — | 0.5 | % |
| $V_{LDO1_ILIM_150}$ | Current limitation, 150 mA current capability (OTP_LDO1ILIM) | 200 | 280 | 500 | mA |
| $V_{LDO1_ILIM_400}$ | Current limitation, 400 mA current capability (OTP_LDO1ILIM) | 430 | 560 | 800 | mA |
| $V_{LDO1_SOFT_START}$ | Soft start (enable to 90 %) | — | 1.0 | 1.3 | ms |
| $V_{LDO1_STARTUP}$ | Overshoot at startup | — | — | 2 | % |
| R_{LDO1_DISCH} | Discharge resistance (when LDO1 is disabled) | 10 | 20 | 60 | Ω |
| TSD_{LDO1} | Thermal shutdown threshold | 160 | — | — | $^\circ\text{C}$ |
| TSD_{LDO1_HYST} | Thermal shutdown threshold hysteresis | — | 9 | — | $^\circ\text{C}$ |
| T_{LDO1_TSD} | Thermal shutdown filtering time | 3 | 5 | 8 | μs |

18 Clock management

18.1 Clock description

The clock management block is made of the Internal oscillator, the Phase Locked Loop (PLL) and multiple dividers. This block manages the clock generation for the internal digital state machines, the switching regulators and the external clock synchronization.

The internal oscillator is running at 20 MHz by default after start up. The frequency is programmable by I²C and a spread spectrum feature can be activated by I²C to reduce the emission of the oscillator fundamental frequency.

VPRE switching frequency comes from CLK2 (455 kHz) or CLK1 (2.22 MHz). BUCK1 and BUCK3 switching frequency comes from CLK1 (2.22 MHz). The switching regulators can be synchronized with an external frequency coming from FIN pin. A dedicated watchdog monitoring is implemented to verify and report the correct FIN frequency range. Different clocks can be sent to FOUT pin to synchronize an external IC or for diagnostic.

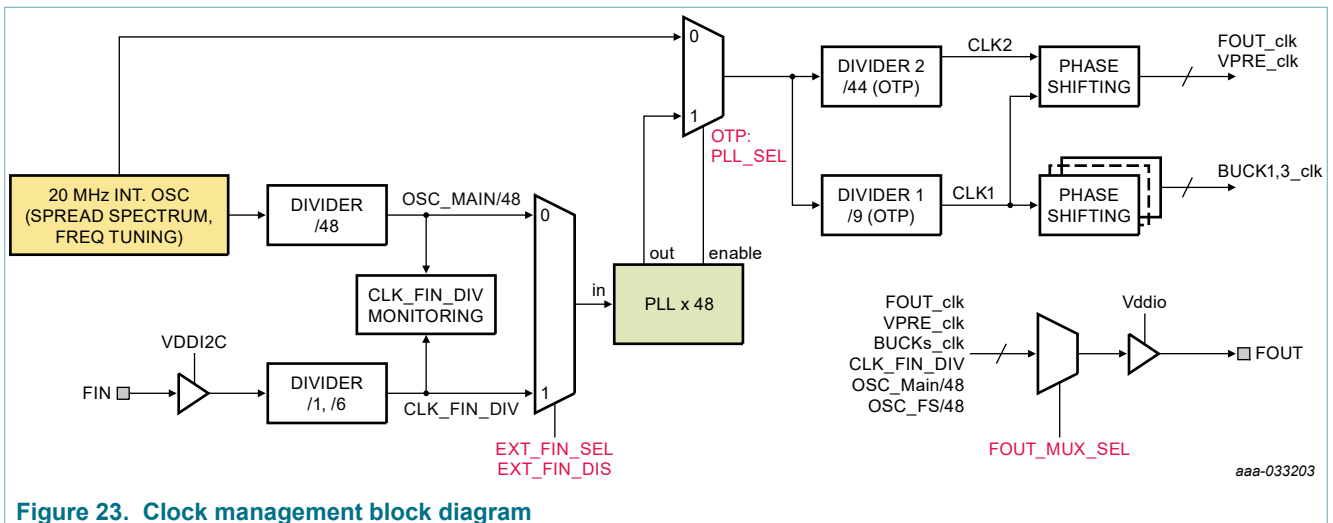


Figure 23. Clock management block diagram

18.2 Phase shifting

The clocks of the switching regulators (VPRE_clk, BUCK1_clk and BUCK3_clk) can be delayed in order to avoid all the regulators to turn ON at the same time to reduce peak current and improve EMC performance.

Each clock of each regulator can be shifted from 1 to 7 clock cycles of CLK running at 20 MHz what corresponds to 50 ns. The phase shift configuration is done by OTP configuration using OTP_VPRE_ph[2:0], OTP_BUCK1_ph[2:0] and OTP_BUCK3_ph[2:0].

VPRE and BUCK3 have a peak current detection architecture. The PWM synchronizes the turn ON of the high-side switch. BUCK1 has a valley current detection architecture. The PWM synchronizes the turn ON of the low-side switch.

18.3 Manual frequency tuning

The internal oscillator frequency, 20 MHz by default, can be programmed from 16 MHz to 24 MHz with 1.0 MHz frequency step by I²C. The oscillator functionality is guaranteed

for frequency increment of one step at a time in either direction, with a minimum of 10 μ s between two steps. For any unused code of the CLK_TUNE [3:0] bits, the internal oscillator is set at the default 20 MHz frequency.

To change the internal oscillator frequency from 20 MHz to 24 MHz, four I²C commands are required with 10 μ s wait time between each command (21 MHz – wait 10 μ s – 22 MHz – wait 10 μ s – 23 MHz – wait 10 μ s – 24 MHz). To change the internal oscillator frequency from 24 MHz to 16 MHz, eight I²C commands are required with 10 μ s wait time between each command (23 MHz – wait 10 μ s – 22 MHz – wait 10 μ s – 21 MHz – wait 10 μ s – 20 MHz – wait 10 μ s – 19 MHz – wait 10 μ s – 18 MHz – wait 10 μ s – 17 MHz – wait 10 μ s – 16MHz).

Table 67. Manual frequency tuning configuration

| CLK_TUNE [3:0] | Oscillator frequency [MHz] |
|-----------------------|----------------------------|
| 0000 (default) | 20 |
| 0001 | 21 |
| 0010 | 22 |
| 0011 | 23 |
| 0100 | 24 |
| 1001 | 16 |
| 1010 | 17 |
| 1011 | 18 |
| 1100 | 19 |
| Reset condition | POR |

18.4 Spread spectrum

The internal oscillator can be modulated with a triangular carrier frequency of 23 kHz or 94 kHz with ± 5 % deviation range around the oscillator frequency. The spread spectrum feature can be activated by I²C with the MOD_EN bit and the carrier frequency can be selected by I²C with the MOD_CONF bit. By default, the spread spectrum is disabled. The spread spectrum and the manual frequency tuning functions cannot be used at the same time.

The main purpose of the spread spectrum is to improve the EMC performance by spreading the energy of the internal oscillator and VPRE frequency on VBAT frequency spectrum. Consequently, it is recommended to select 23 kHz carrier frequency when VPRE is configured at 455 kHz and 94 kHz when VPRE is configured at 2.2 MHz for the best performance.

18.5 External clock synchronization

To synchronize the switching regulators with an external frequency coming from FIN pin, the PLL shall be enabled with OTP_PLL_SEL bit. The FIN pin accepts two ranges of frequency depending on the divider selection to always have CLK clock at the output of the PLL in the working range of the digital blocks from 16 MHz to 24 MHz. When FIN_DIV = 0, the input frequency range must be between 333 kHz and 500 kHz. When FIN_DIV = 1, the input frequency range must be between 2.0 MHz and 3.0 MHz.

After the FIN clock divider configuration with FIN_DIV bit, the FIN clock is routed to the PLL input with EXT_FIN_SEL bit. The CLK clock changes from the internal oscillator to FIN external clock with EXT_FIN_SEL bit. So, the configuration procedure is FIN_DIV first, then apply FIN and finally set EXT_FIN_SEL.

If FIN is out of range, CLK clock moves back to the internal oscillator and reports the error using the CLK_FIN_DIV_OK bit. When FIN comes back in the range, the configuration procedure described above is executed again.

The FOUT pin can be used to synchronize an external device with the FS5502. The frequency sent to FOUT is selected by I²C with the FOUT_MUX_SEL [3:0] bits.

Table 68. FOUT multiplexer selection

| FOUT_MUX_SEL [3:0] | FOUT multiplexer selection |
|--------------------|--|
| 0000 (default) | No signal, FOUT is low |
| 0001 | VPRE_clk |
| 0010 | RESERVED |
| 0011 | BUCK1_clk |
| 0100 | RESERVED |
| 0101 | BUCK3_clk |
| 0110 | FOUT_clk (CLK1 or CLK2 selected with FOUT_CLK_SEL bit) |
| 0111 | OSC_MAIN/48 (when PLL is enabled by OTP) |
| 1000 | OSC_FS/48 |
| 1001 | CLK_FIN_DIV |
| Others | No signal, FOUT is low |
| Reset condition | POR |

18.6 Electrical characteristics

Table 69. Electrical characteristics

T_A = -40 °C to 125 °C, unless otherwise specified. VSUP = VSUP_UVH to 36 V, unless otherwise specified. All voltages referenced to ground.

| Symbol | Parameter | Min | Typ | Max | Unit |
|----------------------------|--|-----|-----|-----|------|
| 20 MHz internal oscillator | | | | | |
| F _{20MHz} | Oscillator nominal frequency (programmable) | — | 20 | — | MHz |
| F _{20MHz_ACC} | Oscillator accuracy | -6 | — | +6 | % |
| T _{20MHz_step} | Oscillator frequency tuning step transition time | — | 10 | — | µs |
| Spread spectrum | | | | | |
| FSS _{MOD} | Spread spectrum frequency modulation (MOD_CONF I ² C configuration) | — | 23 | — | kHz |
| | | — | 94 | — | kHz |
| FSS _{RANGE} | Spread spectrum range (around the nominal frequency) | -5 | — | +5 | % |

| Symbol | Parameter | Min | Typ | Max | Unit |
|-------------------------------------|---|--------------------------|--------|--------------------------|------|
| Clock synchronization (FIN) | | | | | |
| V _{FIN_IN} | Input voltage range | — | VDDI2C | — | V |
| DC _{FIN_FOUT} | FIN and FOUT duty cycle | 40 | 50 | 60 | % |
| FIN _{RANGE} | FIN input frequency range (FIN_DIV I ² C configuration) | 333 | 417 | 500 | kHz |
| | | 2.25 | 2.5 | 2.75 | MHz |
| FIN _{VIL} | FIN low voltage threshold | 0.3 x V _{DDI2C} | — | — | V |
| FIN _{VIH} | FIN high voltage threshold | — | — | 0.7 x V _{DDI2C} | V |
| FIN _{HYST} | FIN hysteresis | 0.1 | — | — | V |
| FIN _{IPD} | FIN internal pull-down current source | 7 | 10 | 13 | μA |
| FIN _{DLY} | FIN input buffer propagation delay | — | — | 8 | ns |
| FIN _{ERR_LONG} | CLK_FIN_DIV monitoring, long deviation detection | 5 | — | — | μs |
| FIN _{ERR_SHORT} | CLK_FIN_DIV monitoring, short deviation detection | — | — | 1.5 | μs |
| FIN _{TLOST} | Time to switch to internal oscillator when FIN is lost | — | — | 3 | μs |
| Clock synchronization (FOUT) | | | | | |
| V _{FOUT_OUT} | Output voltage range | — | VDDIO | — | V |
| FOUT _{VOL} | FOUT low voltage threshold at 2.0 mA | — | — | 0.5 | V |
| FOUT _{VOH} | FOUT high voltage threshold at -2.0 mA | V _{DDIO} - 0.5 | — | — | V |
| I _{FOUT} | Tri-state leakage current (VDDIO = 5.0 V) | -1.0 | — | 1.0 | μA |
| FOUT _{TRISE} | FOUT rise time (from 20 % to 80 % of VDDIO, Cout = 30 pF) | — | — | 20 | ns |
| FOUT _{TFALL} | FOUT fall time (from 80 % to 20 % of VDDIO, Cout = 30 pF) | — | — | 20 | ns |
| PLL _{TLOCK} | PLL lock time | — | — | 90 | μs |
| PLL _{TSET} | PLL settling time (from EXT_FIN_DIS enable to ±1 % of output frequency) | — | — | 125 | μs |

19 I/O interface pins

19.1 WAKE1, WAKE2

WAKE pins are used to manage the internal biasing of the device and the main state machine transitions.

- When WAKE1 or WAKE2 is > WAKE12_{VIH}, the internal biasing is started and the equivalent digital state is 1
- When WAKE1 or WAKE2 is < WAKE12_{VIL}, the equivalent digital state is 0
- When WAKE1 and WAKE2 are < WAKE12_{AVIL}, the internal biasing is stopped if the device was in Standby mode

WAKE1 can be, for example, connected to VBAT and WAKE2 to the wake-up output of a CAN or FlexRay transceiver. When a WAKE pin is used as a global pin, a CRC protection is required (see [Section 26 "Application information"](#)).

Table 70. WAKE1, WAKE2 electrical characteristics

T_A = -40 °C to 125 °C, unless otherwise specified. VSUP = VSUP_UVH to 36 V, unless otherwise specified. All voltages referenced to ground.

| Symbol | Parameter | Min | Typ | Max | Unit |
|------------------------|--|-----|-----|-----|------|
| WAKE12 _{AVIL} | Analog low input voltage threshold | 1 | — | — | V |
| WAKE12 _{VIL} | Digital low input voltage threshold | 2 | — | — | V |
| WAKE12 _{VIH} | Digital high input voltage threshold | — | — | 4 | V |
| I _{WAKE12} | Input current leakage at WAKE12 = 36 V | — | — | 100 | μA |
| | Input current leakage at WAKE12 = 60 V | — | — | 300 | μA |
| T _{WAKE12} | Filtering time | 50 | 70 | 100 | μs |

19.2 INTB

INTB is an open drain output pin with internal pull up to VDDIO. This pin generates a pulse when an internal interrupt occurs to inform the MCU. Each interrupt can be masked by setting the corresponding inhibit interrupt bit in M_INT_MASK registers.

Table 71. INTB electrical characteristics

$T_A = -40\text{ }^\circ\text{C}$ to $125\text{ }^\circ\text{C}$, unless otherwise specified. $VSUP = VSUP_UVH$ to 36 V, unless otherwise specified. All voltages referenced to ground.

| Symbol | Parameter | Min | Typ | Max | Unit |
|-------------------------|--|-----|-----|-----|------|
| INTB _{PULL-up} | Internal pull-up resistor to VDDIO | 5.5 | 10 | 15 | kΩ |
| INTB _{VOL} | Low output level threshold (I = 2.0 mA) | — | — | 0.5 | V |
| INTB _{LKG} | Input leakage current | — | — | 1.0 | μA |
| INTB _{PULSE} | Pulse duration (without manual frequency tuning) | 90 | 100 | 110 | μs |

Table 72. List of interrupts from main logic

| Interrupt main | Description |
|----------------|--------------------------------------|
| VSUP_UV7 | VSUP undervoltage 7.0 V |
| VSUP_UVH | VSUP undervoltage high |
| VSUP_UVL | VSUP undervoltage low |
| VBOS_UVH | VBOS undervoltage high |
| VPRE_OC | VPRE overcurrent |
| VPRE_FB_OV | VPRE overvoltage protection |
| VPRE_UVH | VPRE undervoltage high |
| VPRE_UVL | VPRE undervoltage low |
| BUCK1_TSD | BUCK1 overtemperature shutdown event |
| BUCK1_OC | BUCK1 overcurrent |
| BUCK3_TSD | BUCK3 overtemperature shutdown event |
| BUCK3_OC | BUCK3 overcurrent |
| LDO1_TSD | LDO1 overtemperature shutdown event |
| LDO1_OC | LDO1 overcurrent |
| WAKE1 | WAKE1 transition |
| WAKE2 | WAKE2 transition |
| COM | I ² C communication error |

Table 73. List of interrupts from fail-safe logic

| Interrupt fail-safe | Description |
|---------------------|--------------------------------|
| VCOREMON_OV | VCOREMON overvoltage detected |
| VCOREMON_UV | VCOREMON undervoltage detected |
| VDDIO_OV | VDDIO overvoltage detected |

| Interrupt fail-safe | Description |
|---------------------|-----------------------------|
| VDDIO_UV | VDDIO undervoltage detected |
| VMON1_OV | VMON1 overvoltage detected |
| VMON1_UV | VMON1 undervoltage detected |

19.3 PSYNC for two FS5502

PSYNC function allows to manage complex start up sequence with multiple power management ICs like two FS5502 (OTP_PSYNC_CFG = 0) or one FS5502 plus one PF82 (OTP_PSYNC_CFG = 1). This function is enabled with the OTP_PSYNC_EN bit.

When PSYNC is used to synchronize two FS5502, PSYNC pin of each device shall be connected together and pulled up to VBOS pin of the FS5502 master device as shown in Figure 24. In this configuration, FS5502 #1 state machine stops before FS5502 #1_VPRE starts and waits for FS5502 #2 to synchronize FS5502#2_VPRE start.

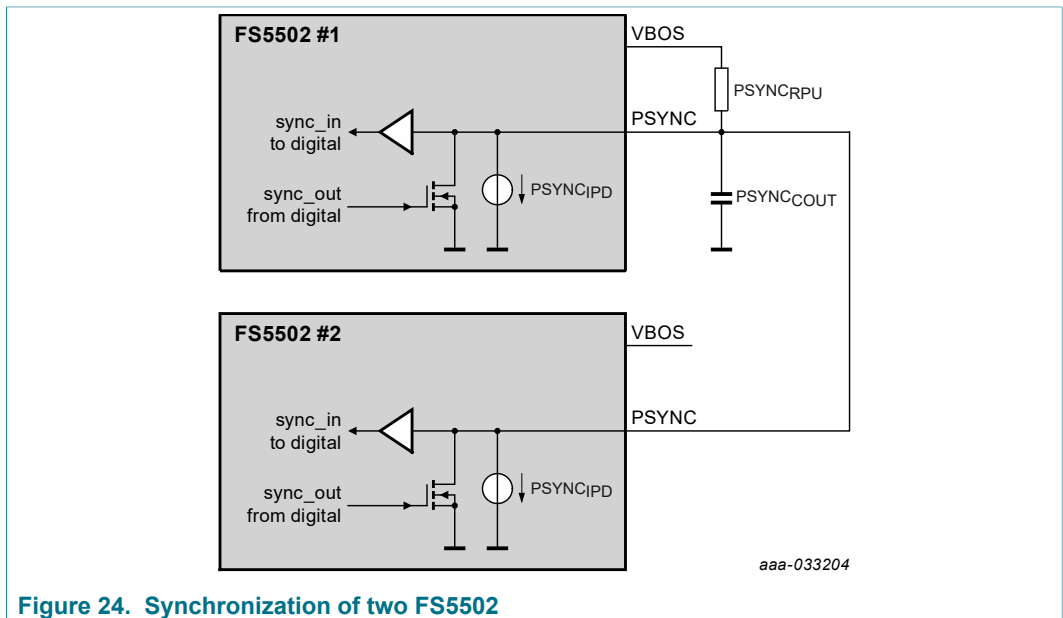
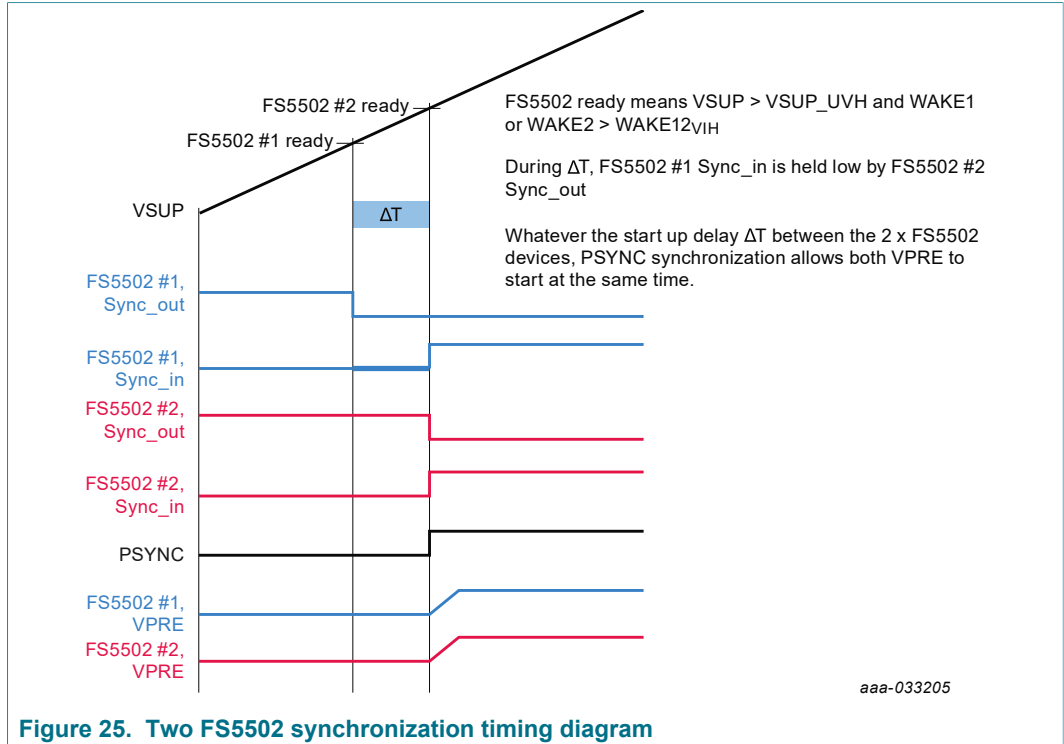


Figure 24. Synchronization of two FS5502

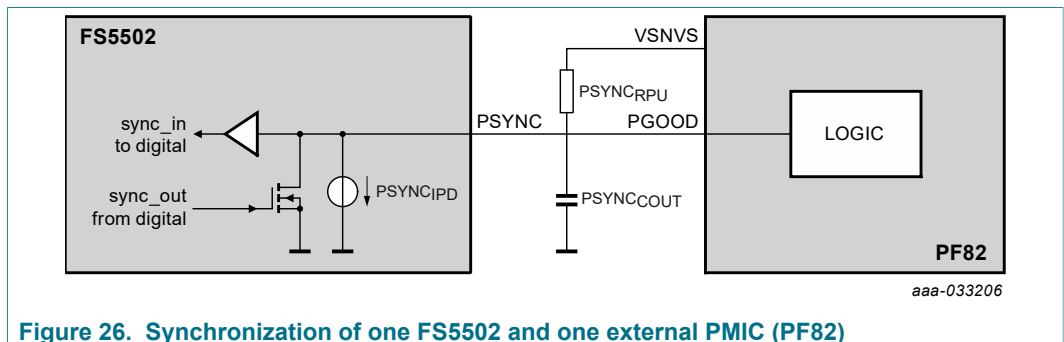


19.4 PSYNC for FS5502 and external PMIC

When PSYNC is used to synchronize one FS5502 and one external PMIC, PSYNC pin of FS5502 is connected to PGOOD pin of the external PMIC.

When the external PMIC is PF82 from NXP, it can be pulled up to VSNVS pin of PF82. In this configuration, FS5502 state machine stops after VPRE starts and waits for the PGOOD pin of the external PMIC to be released to continue its own power sequencing. It allows to synchronize the power up sequence of both devices.

During power-down sequence, FS5502 should wait for the external PMIC power-down sequence completion before turning OFF VPRE (VPRE is powering the external PMIC). OTP_VPRE_off_dly bit is configured to extend VPRE turn OFF delay from 250 μs default value to 32 ms.



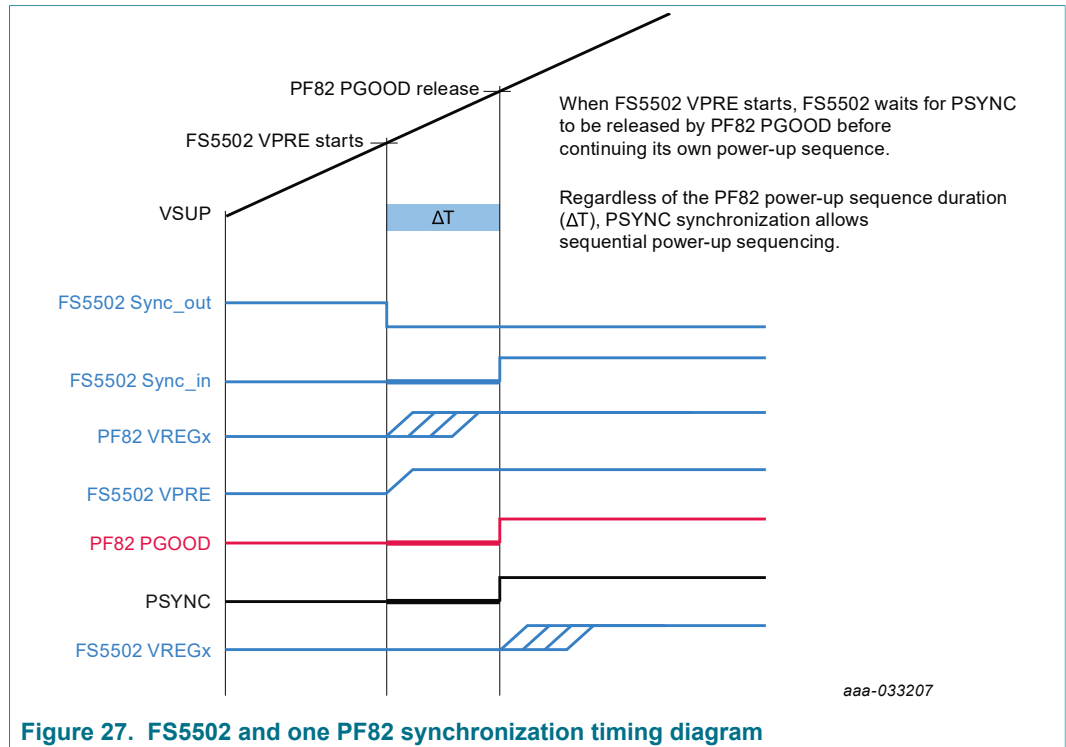


Figure 27. FS5502 and one PF82 synchronization timing diagram

Table 74. PSYNC electrical characteristics

$T_A = -40\text{ }^{\circ}\text{C}$ to $125\text{ }^{\circ}\text{C}$, unless otherwise specified. $VSUP = VSUP_UVH$ to 36 V , unless otherwise specified. All voltages referenced to ground.

| Symbol | Parameter | Min | Typ | Max | Unit |
|-----------------------|---|-----|-----|-----|------|
| PSYNC _{VIL} | Low level input voltage threshold | 1 | — | — | V |
| PSYNC _{VIH} | High level input voltage threshold | — | — | 2 | V |
| PSYNC _{HYST} | Hysteresis | 0.1 | — | — | V |
| PSYNC _{VOL} | Low level output threshold (I = 2.0 mA) | — | — | 0.5 | V |
| PSYNC _{IPD} | Internal pull-down current source | 7 | 10 | 13 | μA |
| PSYNC _{RPU} | External pull-up resistor to VBOS | — | 10 | — | kΩ |
| PSYNC _{COUT} | External decoupling capacitor | — | 0.1 | — | μF |
| PSYNC _{TFB} | Feedback filtering time | 6 | 10 | 15 | μs |

20 I²C interface

20.1 I²C interface overview

The FS5502 use an I²C interface following the high-speed mode definition up to 3.4 Mbit/s. I²C interface protocol requires a device address for addressing the target IC on a multi-device bus. The FS5502 has two device address: one to access the main logic and one to access the fail-safe logic. These two I²C addresses are set by OTP.

The I²C interface is using a dedicated power input pin VDDI2C and it's compatible with 1.8 V / 3.3 V input supply. Timing, diagrams, and further details can be found in the NXP I²C specification UM10204 rev6.

Table 75. I²C message arrangement

| | | | | | | | | | | | | | | | | |
|----------------|---------|---------|---------|---------|---------|--------|------------|------------------|--------|---------|--------|--------|--------|--------|--------|--|
| B39 | B38 | B37 | B36 | B35 | B34 | B33 | B32 | B31 | B30 | B29 | B28 | B27 | B26 | B25 | B24 | |
| ID_6-0 | | | | | | | 0 | 0 | 0 | Adr_5-0 | | | | | | |
| Device address | | | | | | | Read/Write | Register address | | | | | | | | |
| B23 | B22 | B21 | B20 | B19 | B18 | B17 | B16 | B15 | B14 | B13 | B12 | B11 | B10 | B9 | B8 | |
| Data_15 | Data_14 | Data_13 | Data_12 | Data_11 | Data_10 | Data_9 | Data_8 | Data_7 | Data_6 | Data_5 | Data_4 | Data_3 | Data_2 | Data_1 | Data_0 | |
| Data MSB | | | | | | | Data LSB | | | | | | | | | |
| | | | | | | | B7 | B6 | B5 | B4 | B3 | B2 | B1 | B0 | | |
| | | | | | | | CRC_7 | CRC_6 | CRC_5 | CRC_4 | CRC_3 | CRC_2 | CRC_1 | CRC_0 | | |
| | | | | | | | CRC_7 | CRC_6 | CRC_5 | CRC_4 | CRC_3 | CRC_2 | CRC_1 | CRC_0 | | |

20.2 Device address

The FS5502 has two device address: one to access the Main logic and one to access the Fail-safe logic.

| | | | | | | |
|-----|-----|-----|-----|-----|-----|------|
| B39 | B38 | B37 | B36 | B35 | B34 | B33 |
| 0 | 1 | OTP | OTP | OTP | OTP | M/FS |

The I²C addresses have the following arrangement:

- Bit 39: 0
- Bit 38: 1
- Bit 37 to 34: OTP value
- Bit 33: 0 to access the main logic, 1 to access the fail-safe logic

20.3 Cyclic redundant check

An 8 bit CRC is required for each Write and Read I2C command. Computation of a cyclic redundancy check is derived from the mathematics of polynomial division, modulo two.

The CRC polynomial used is $x^8+x^4+x^3+x^2+1$ (identified by 0x1D) with a SEED value of hexadecimal '0xFF'

The following table shows an example of CRC encoding HW implementation:

CRC calculation using XOR:

$$\begin{aligned}
 \text{CRC}_7 &= \text{XOR} (\text{B38}, \text{B35}, \text{B32}, \text{B31}, \text{B24}, \text{B23}, \text{B22}, \text{B20}, \text{B17}, \text{B13}, \text{B12}, \text{B11}, 1, 1, 1) \\
 \text{CRC}_6 &= \text{XOR} (\text{B37}, \text{B34}, \text{B23}, \text{B22}, \text{B21}, \text{B19}, \text{B16}, \text{B12}, \text{B11}, \text{B10}, 1, 1) \\
 \text{CRC}_5 &= \text{XOR} (\text{B39}, \text{B36}, \text{B33}, \text{B30}, \text{B29}, \text{B22}, \text{B21}, \text{B20}, \text{B18}, \text{B15}, \text{B11}, \text{B10}, \text{B9}, 1, 1, 1) \\
 \text{CRC}_4 &= \text{XOR} (\text{B39}, \text{B38}, \text{B35}, \text{B32}, \text{B29}, \text{B28}, \text{B21}, \text{B20}, \text{B19}, \text{B17}, \text{B14}, \text{B10}, \text{B9}, \text{B8}, 1, 1, 1, 1) \\
 \text{CRC}_3 &= \text{XOR} (\text{B37}, \text{B35}, \text{B34}, \text{B32}, \text{B28}, \text{B27}, \text{B24}, \text{B23}, \text{B22}, \text{B19}, \text{B18}, \text{B17}, \text{B16}, \text{B12}, \text{B11}, \text{B9}, \text{B8}, 1, 1, 1, 1) \\
 \text{CRC}_2 &= \text{XOR} (\text{B39}, \text{B38}, \text{B36}, \text{B35}, \text{B34}, \text{B33}, \text{B32}, \text{B27}, \text{B26}, \text{B24}, \text{B21}, \text{B20}, \text{B18}, \text{B16}, \text{B15}, \text{B13}, \text{B12}, \text{B10}, \text{B8}, 1, 1, 1, 1, 1, 1) \\
 \text{CRC}_1 &= \text{XOR} (\text{B37}, \text{B34}, \text{B33}, \text{B26}, \text{B25}, \text{B24}, \text{B22}, \text{B19}, \text{B15}, \text{B14}, \text{B13}, \text{B9}, 1, 1, 1) \\
 \text{CRC}_0 &= \text{XOR} (\text{B39}, \text{B36}, \text{B33}, \text{B32}, \text{B25}, \text{B24}, \text{B23}, \text{B21}, \text{B18}, \text{B14}, \text{B13}, \text{B12}, \text{B8}, 1, 1, 1, 1)
 \end{aligned}$$

CRC results examples:

- Main I2C device address: 0x20
- Fail-safe I2C device address: 0x21

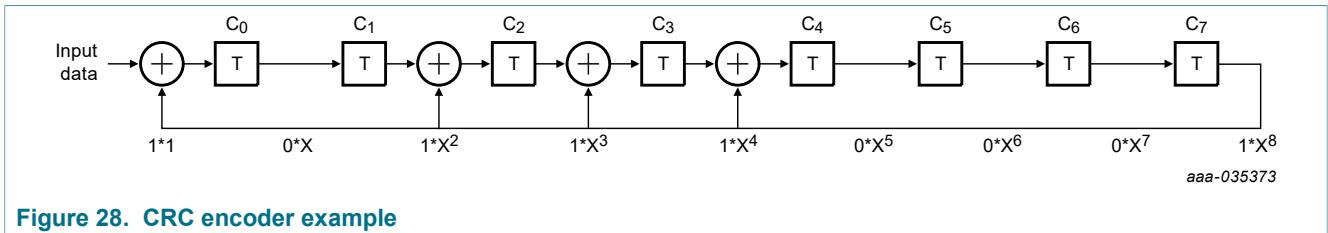


Figure 28. CRC encoder example

Table 76. CRC results example

| Device address, R/W, 8 bit (Hex) | 00, Register address, 8 bit (Hex) | Data MSB, 8 bit (Hex) | Data LSB, 8 bit (Hex) | CRC, 8 bit |
|----------------------------------|-----------------------------------|-----------------------|-----------------------|------------|
| 0x40 | 0x02 | 0x00 | 0x00 | 0x31 |
| 0x42 | 0x01 | 0xD0 | 0x0D | 0x8C |

20.4 I²C electrical characteristics

Table 77. I²C electrical characteristics

$T_A = -40\text{ }^\circ\text{C}$ to $125\text{ }^\circ\text{C}$, unless otherwise specified. $VSUP = VSUP_UVH$ to 36 V, unless otherwise specified. All voltages referenced to ground.

| Symbol | Parameter | Min | Typ | Max | Unit |
|---------------------|--|--------------------------|-----|--------------------------|------|
| VDDI2C | I ² C interface power input | 1.62 | 1.8 | 1.98 | V |
| | | 2.97 | 3.3 | 3.63 | V |
| F _{SCL} | SCL clock frequency | — | — | 3.4 | MHz |
| I2C _{VIL} | SCL, SDA low level input voltage threshold | 0.3 x V _{DDI2C} | — | — | V |
| I2C _{VIH} | SCL, SDA high level input voltage threshold | — | — | 0.7 x V _{DDI2C} | V |
| SDA _{VOL} | Low level output voltage at SDA pin (I = 20 mA) | — | — | 0.4 | V |
| C _{I2C} | Input capacitance at SCL / SDA | — | — | 10 | pF |
| t _{SPSCL} | SCL pulse width filtering time, when 50 ns filter selected (fast speed, fast speed plus) | 50 | — | 150 | ns |
| t _{SPSDA} | SDA pulse width filtering time, when 50 ns filter selected (fast speed, fast speed plus) | 50 | — | 150 | ns |
| t _{SPHSCL} | SCL pulse width filtering time, when 10 ns filter selected (high speed) | 10 | — | 25 | ns |
| t _{SPHSDA} | SDA pulse width filtering time, when 10 ns filter selected (high speed) | 10 | — | 25 | ns |

21 Maximum ratings

Table 78. Maximum ratings

All voltages are with respect to ground, unless otherwise noted. Exceeding these ratings could cause a malfunction or permanent damage to the device.

| Symbol | Parameter | Conditions | Min | Max | Unit |
|-------------------|-------------------------------|--|------|------|------|
| Voltage ratings | | | | | |
| VSUP1/2 | DC voltage | power supply VSUP1,2 pins | -0.3 | 60 | V |
| WAKE1/2 | DC voltage | WAKE1,2 pins; external serial resistor mandatory | -1.0 | 60 | V |
| PRE_SW | DC voltage | PRE_SW pin | -2.0 | 60 | V |
| VMON1, VCOREMON | DC voltage | VMON1, VCOREMON pins | -0.3 | 60 | V |
| PRE_GHS, PRE_BOOT | DC voltage | PRE_GHS, PRE_BOOT pins | -0.3 | 65.5 | V |
| DBG | DC voltage | DBG pin | -0.3 | 10 | V |
| LDO1_IN | DC voltage | LDO1_IN pin | -0.3 | 6.5 | V |
| BUCKx_IN | DC voltage | BUCK1_IN, BUCK3_IN, BUCK3_INQ | -1.0 | 5.5 | V |
| BUCKx_IN | Transient voltage < 3 μ s | BUCK1_IN, BUCK3_IN, BUCK3_INQ | -1.0 | 6.5 | V |
| BUCKx_SW | Transient voltage < 20 ns | BUCK1_SW, BUCK3_SW | -2.0 | 6.5 | V |
| All other pins | DC voltage | at all other pins | -0.3 | 5.5 | V |
| Current ratings | | | | | |
| I_WAKE | Maximum current capability | WAKE1,2 | -5.0 | 5.0 | mA |
| I_SUP | Maximum current capability | VSUP1,2 | -5.0 | — | mA |

22 Electrostatic discharge

22.1 Human body model (JESD22/A114)

The device is protected up to ± 2 kV, according to the human body model standard with 100 pF and 1.5 k Ω . This protection is ensured at all pins.

22.2 Charged device model

- The device is protected up to ± 500 V, according to AEC-Q100 - 011 charged device model standard. This protection is ensured at all pins.

22.3 Discharged contact test

The device is protected up to ± 8 kV, according to the following discharged contact tests.

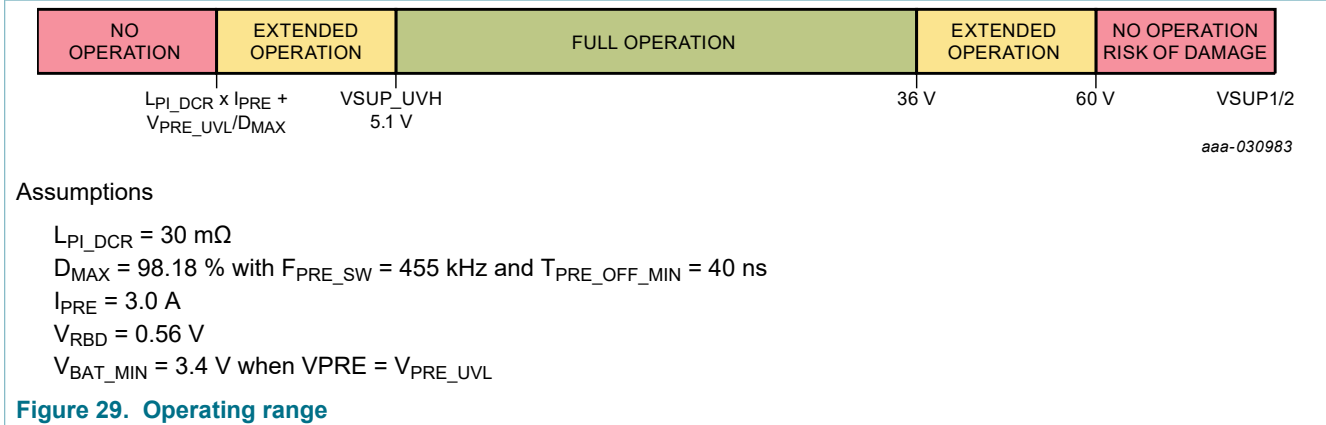
Discharged contact test (IEC61000-4-2) at 150 pF and 330 Ω

Discharged contact test (ISO10605.2008) at 150 pF and 2 k Ω

Discharged contact test (ISO10605.2008) at 330 pF and 2 k Ω

This protection is ensured at VSUP1, VSUP2, WAKE1, WAKE2 pins.

23 Operating conditions



- Below VSUP_UVH threshold, the extended operation range depends on VPRE output voltage configuration and external components.
 - When VPRE is configured at 5.0 V, VPRE may not remain in its regulation range
 - VSUP minimum voltage depends on external components (LPI_DCR) and application conditions (I_PRE, F_PRE_SW)
- The FS5502 maximum continuous operating voltage is 36 V when VPRE is switching at 455 kHz.
- The FS5502 maximum continuous operating voltage is 36 V when VPRE is switching at 455 kHz. It has been validated at 48 V for limited duration of 15 minutes at room temperature to satisfy the jump-start requirement of 24 V applications. It can sustain 58 V load dump without external protection.
- When VPRE is switching at 2.2 MHz, the FS5502 maximum continuous operating voltage is 18 V. It is validated at 26 V for limited duration of 2 minutes at room temperature to satisfy the jump-start requirement of 12 V applications and 35 V load dump.

24 Thermal characteristics

Table 79. Thermal ratings

| Symbol | Parameter | Conditions | Min | Max | Unit |
|----------------------|--|---|-----|-----|------|
| R _{θJA} | Thermal resistance junction to ambient | 2s2p circuit board [1] | — | 31 | °C/W |
| R _{θJA} | Thermal resistance junction to ambient | 2s6p circuit board [1] | — | 23 | °C/W |
| R _{θJB} | Thermal resistance junction to board | 2s2p circuit board [1] | — | 15 | °C/W |
| R _{θJB} | Thermal resistance junction to board | 2s6p circuit board [1] | — | 10 | °C/W |
| R _{θJC_BOT} | Thermal resistance junction to case bottom | between the die and the solder pad on the bottom of the package [1] | — | 1 | °C/W |
| R _{θJP_TOP} | Thermal resistance junction to package top | between package top and the junction temperature [1] | — | 3 | °C/W |
| T _A | Ambient temperature (Grade 1) | | -40 | 125 | °C |
| T _J | Junction temperature (Grade 1) | | -40 | 150 | °C |
| T _{STG} | Storage temperature | | -55 | 150 | °C |

[1] per JEDEC JESD51-2 and JESD51-8

25 Characteristics

Table 80. Electrical characteristics

$T_A = -40\text{ °C}$ to 125 °C , unless otherwise specified. $V_{SUP} = V_{SUP_UVH}$ to 36 V, unless otherwise specified. All voltages referenced to ground.

| Symbol | Parameter | Min | Typ | Max | Unit |
|--------------------|---|-----|-----|-----|---------------|
| Power supply | | | | | |
| I_{SUP_NORMAL} | Current in Normal mode, all regulators ON ($I_{OUT} = 0$) | — | 15 | 25 | mA |
| $I_{SUP_STANDBY}$ | Current in Standby mode, all regulators OFF except VBOS | — | 5 | 10 | mA |
| I_{SUP_OFF1} | Current in OFF mode (Power Down), $T_A < 85\text{ °C}$ | — | 10 | 15 | μA |
| I_{SUP_OFF2} | Current in OFF mode (Power Down), $T_A = 125\text{ °C}$ | — | — | 25 | μA |
| V_{SUP_UV7} | V_{SUP} undervoltage threshold (7.0 V) | 7.2 | 7.5 | 7.8 | V |
| V_{SUP_UVH} | V_{SUP} undervoltage threshold high (during power up and V_{sup} rising) OTP_VSUP_CFG = 0 | 4.7 | — | 5.1 | V |
| | V_{SUP} undervoltage threshold high (during power up and V_{sup} rising) OTP_VSUP_CFG = 1 | 6.0 | — | 6.4 | V |
| V_{SUP_UVL} | V_{SUP} undervoltage threshold low (during power up and V_{sup} falling) OTP_VSUP_CFG = 0 | 4.0 | — | 4.4 | V |
| | V_{SUP} undervoltage threshold low (during power up and V_{sup} falling) OTP_VSUP_CFG = 1 | 5.3 | — | 5.7 | V |
| T_{SUP_UV} | V_{SUP_UV7} , V_{SUP_UVH} and V_{SUP_UVL} filtering time | 6.0 | 10 | 15 | μs |

26 Application information

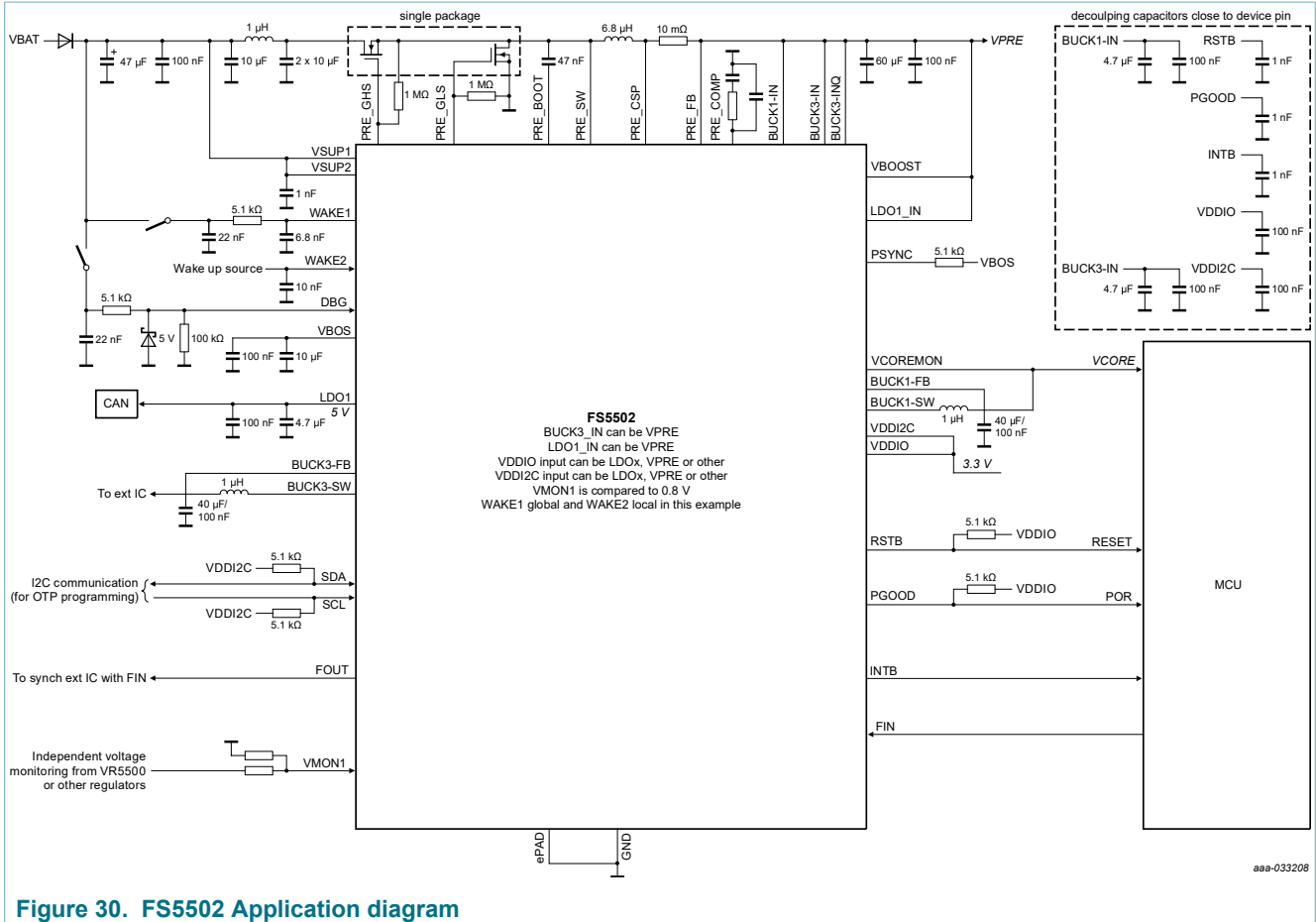


Figure 30. FS5502 Application diagram

27 Fail-safe domain description

27.1 Functional description

The fail-safe domain is electrically independent and physically isolated. The fail-safe domain is supplied by its own reference voltages and current, has its own oscillator.

The fail-safe domain and the dedicated pins are represented in [Figure 31](#):

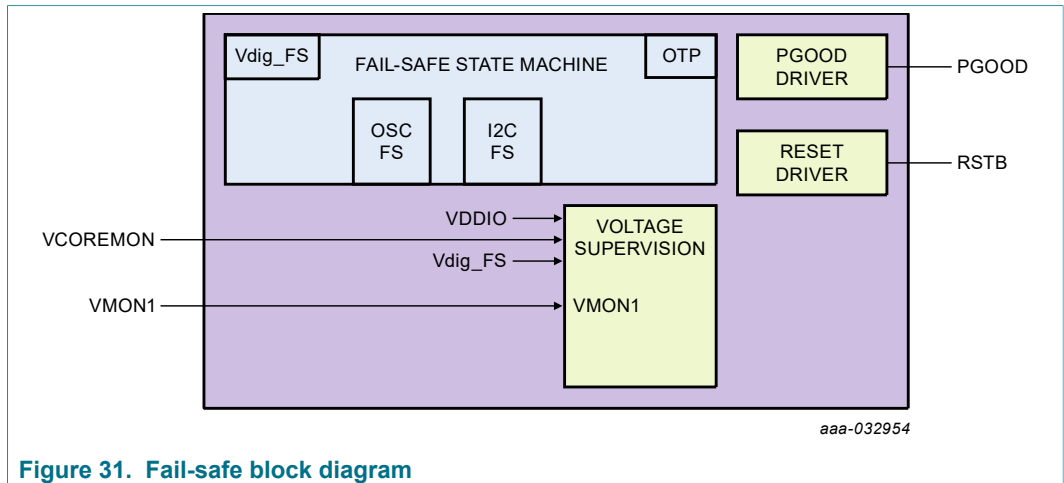


Figure 31. Fail-safe block diagram

27.2 Voltage supervisor

The voltage supervisor is in charge of overvoltage and undervoltage monitoring of VCOREMON, VDDIO and VMON1 input pins. When an overvoltage occurs on a FS5502 regulator monitored by one of these pins, the associated FS5502 regulator is switched off till the fault is removed. The voltage monitoring is active as soon as FS_ENABLE=1 and UV/OV flags are then reported accordingly.

27.2.1 VCOREMON monitoring

VCOREMON input pin is dedicated to BUCK1. When overvoltage or undervoltage fault is detected, the fail-safe reaction on RSTB is configurable with the VCOREMON_OV/UV_FS_IMPACT[1:0] bits during the INIT_FS phase.

Table 81. VCOREMON error impact configuration

| VCOREMON_OV_FS_IMPACT[1:0] | VCOREMON OV impact on RSTB |
|----------------------------|----------------------------|
| 00 | No effect on RSTB |
| 01 | Reserved |
| 1x (default) | RSTB is asserted |
| Reset condition | POR |

| VCOREMON_UV_FS_IMPACT[1:0] | VCOREMON UV impact on RSTB |
|----------------------------|----------------------------|
| 00 | No effect on RSTB |
| 01 (default) | No effect on RSTB |
| 1x | RSTB is asserted |
| Reset condition | POR |

Table 82. VCOREMON electrical characteristics

$T_A = -40\text{ }^{\circ}\text{C}$ to $125\text{ }^{\circ}\text{C}$, unless otherwise specified. $VSUP = VSUP_UVH$ to 36 V, unless otherwise specified. All voltages referenced to ground.

| Symbol | Parameter | Min | Typ | Max | Unit |
|------------------|---|-----|------|-----|---------------|
| VCOREMON_OV_min | Overvoltage threshold minimum | — | +4.5 | — | % |
| VCOREMON_OV_max | Overvoltage threshold maximum | — | +12 | — | % |
| VCOREMON_OV_step | Overvoltage threshold step (OTP_VCOREOVTH[7:0] bits) | — | +0.5 | — | % |
| VCOREMON_OV_acc | Overvoltage threshold accuracy | -2 | — | 2 | % |
| TCOREMON_OV | Overvoltage filtering time (OTP_VCORE_OV_DGLT bit) | 20 | 25 | 30 | μs |
| | | 40 | 45 | 50 | μs |
| VCOREMON_UV_min | Undervoltage threshold minimum | — | -4.5 | — | % |
| VCOREMON_UV_max | Undervoltage threshold maximum | — | -12 | — | % |
| VCOREMON_UV_step | Undervoltage threshold step (OTP_VCOREUVTH[7:0] bits) | — | -0.5 | — | % |
| VCOREMON_UV_acc | Undervoltage threshold accuracy | -2 | — | 2 | % |
| TCOREMON_UV | Undervoltage filtering time (OTP_VCORE_UV_DGLT[1:0] bits) | 2.5 | 5 | 7.5 | μs |
| | | 10 | 15 | 20 | μs |
| | | 20 | 25 | 30 | μs |
| | | 35 | 40 | 45 | μs |

27.2.2 Static voltage scaling (SVS)

A static voltage scaling function is implemented to allow the MCU to reduce the output voltage initially configured at start-up of BUCK1. The SVS configuration must be done in INIT_FS phase. The offset value is configurable by I²C with the SVS_OFFSET[4:0] bits and the exact complemented value shall be written in the NOT_SVS_OFFSET[4:0] bits.

Table 83. SVS offset configuration

| SVS_OFFSET[4:0] | NOT_SVS_OFFSET[4:0] | Offset applied to BUCK1 |
|-------------------------|---------------------|-------------------------|
| 0 0000 (default) | 1 1111 | 0 mV |
| 0 0001 | 1 1110 | -6.25 mV |
| ... | ... | -6.25 mV step per bit |
| 1 0000 | 0 1111 | -100 mV |
| Reset condition | POR | |

The BUCK1 output voltage transition starts when the NOT_SVS_OFFSET[4:0] I²C command is received and confirmed good. If the NOT_SVS_OFFSET[4:0] I²C command is not the exact opposite to the SVS_OFFSET[4:0] I²C command, the SVS procedure is not executed and the BUCK1 output voltage remains at its original value. The OV/UV threshold changes immediately when the NOT_SVS_OFFSET[4:0] I²C command is received and confirmed good. Therefore, the BUCK1 output voltage transition is done within TCOREMON_OV.

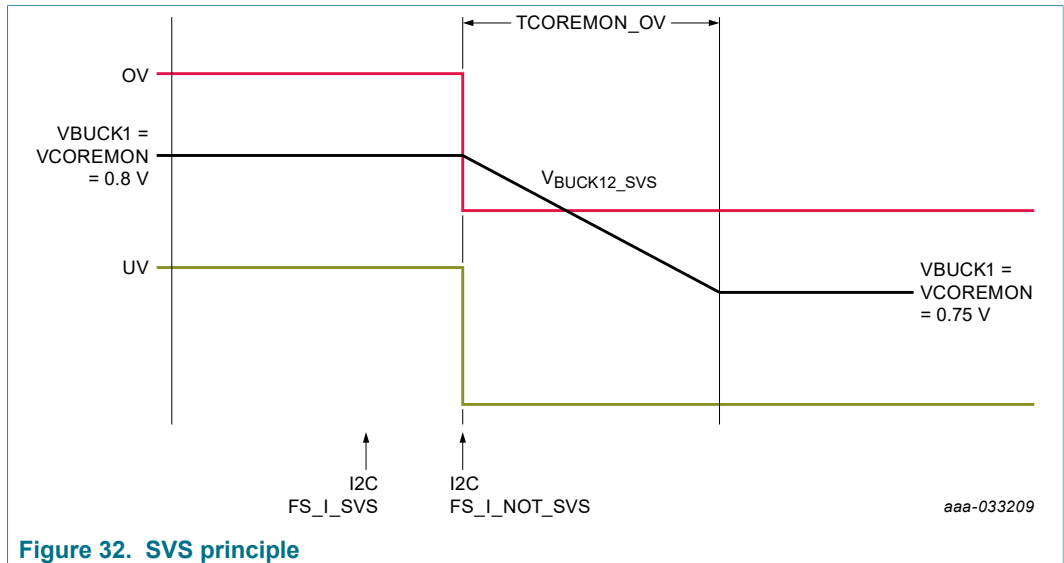


Figure 32. SVS principle

27.2.3 VDDIO monitoring

VDDIO input pin can be connected to VPRE, LDO1, BUCK3 or an external regulator. The regulator connected to VDDIO must be at 3.3 V or 5.0 V to be compatible with overvoltage and undervoltage monitoring thresholds. In order to turn OFF the regulator in case of overvoltage detection, the configuration of which regulator is connected to VDDIO is done with OTP_VDDIO_REG_ASSIGN[2:0] bits. If an external regulator (not delivered by the FS5502) is connected to VDDIO, this regulator cannot be turned OFF, but the overvoltage flag is reported to the MCU, which can take appropriate action. In all cases, the reaction on RSTB is configured with VDDIO_OV/UV_FS_IMPACT[1:0] bits.

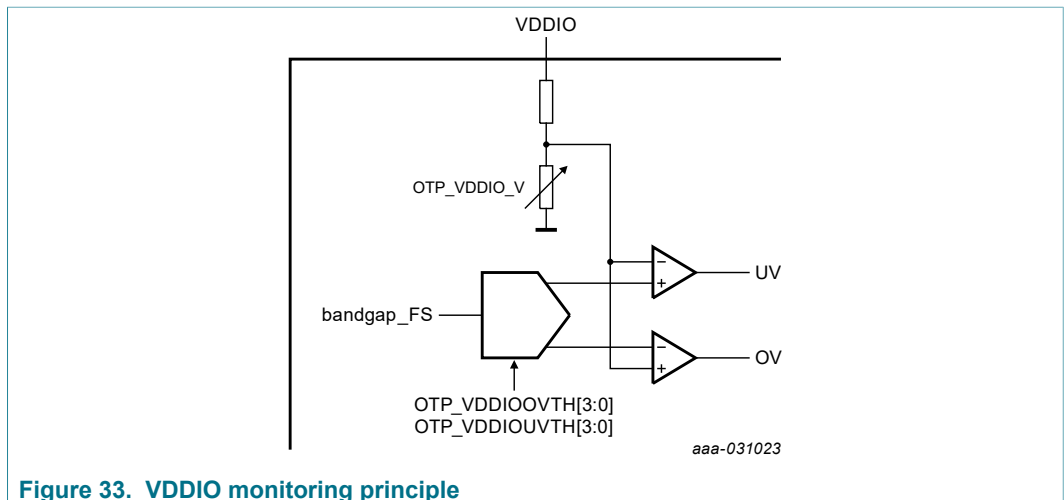


Figure 33. VDDIO monitoring principle

When overvoltage or undervoltage fault is detected, the fail-safe reaction on RSTB is configurable with the VDDIO_OV/UV_IMPACT[1:0] bits during the INIT_FS phase.

Table 84. VDDIO error impact configuration

| VDDIO_OV_FS_IMPACT[1:0] | VDDIO OV impact on RSTB |
|-------------------------|-------------------------|
| 00 | No effect on RSTB |
| 01 | Reserved |
| 1x (default) | RSTB is asserted |
| Reset condition | POR |

| VDDIO_UV_FS_IMPACT[1:0] | VDDIO UV impact on RSTB |
|-------------------------|-------------------------|
| 00 | No effect on RSTB |
| 01 (default) | No effect on RSTB |
| 1x | RSTB is asserted |
| Reset condition | POR |

Table 85. VDDIO electrical characteristics

$T_A = -40\text{ }^\circ\text{C}$ to $125\text{ }^\circ\text{C}$, unless otherwise specified. $VSUP = VSUP_UVH$ to 36 V, unless otherwise specified. All voltages referenced to ground.

| Symbol | Parameter | Min | Typ | Max | Unit |
|---------------|---|-----|------|-----|---------------|
| VDDIO_OV_min | Overvoltage threshold minimum | — | +4.5 | — | % |
| VDDIO_OV_max | Overvoltage threshold maximum | — | +12 | — | % |
| VDDIO_OV_step | Overvoltage threshold step (OTP_VDDIOOVTH[7:0] bits) | — | +0.5 | — | % |
| VDDIO_OV_acc | Overvoltage threshold accuracy | -2 | — | 2 | % |
| TVDDIO_OV | Overvoltage filtering time (OTP_VDDIO_OV_DGLT bit) | 20 | 25 | 30 | μs |
| | | 40 | 45 | 50 | μs |
| VDDIO_UV_min | Undervoltage threshold minimum | — | -4.5 | — | % |
| VDDIO_UV_max | Undervoltage threshold maximum | — | -12 | — | % |
| VDDIO_UV_step | Undervoltage threshold step (OTP_VDDIOUVTH[7:0] bits) | — | -0.5 | — | % |
| VDDIO_UV_acc | Undervoltage threshold accuracy | -2 | — | 2 | % |
| TVDDIO_UV | Undervoltage filtering time (OTP_VDDIO_UV_DGLT[1:0] bits) | 2.5 | 5 | 7.5 | μs |
| | | 10 | 15 | 20 | μs |
| | | 20 | 25 | 30 | μs |
| | | 35 | 40 | 45 | μs |

27.2.4 VMON1 monitoring

Each VMON1 monitoring feature is enabled by OTP. VMON1 input pin can be connected to VPRE, LDO1, BUCK3 or even an external regulator. In order to turn OFF the regulator in case of Overvoltage detection, the configuration of which regulator is connected to VMON1 is done by I²C in the register M_VMONE_REGx. If an external regulator (not delivered by the FS5502) is connected to VMON1, this regulator cannot be turned OFF, but the Overvoltage flag is reported to the MCU, which can take appropriate action. In all cases, the fail-safe reaction on RSTB is configured with VMON1_OV/UV_FS_IMPACT[1:0] bits.

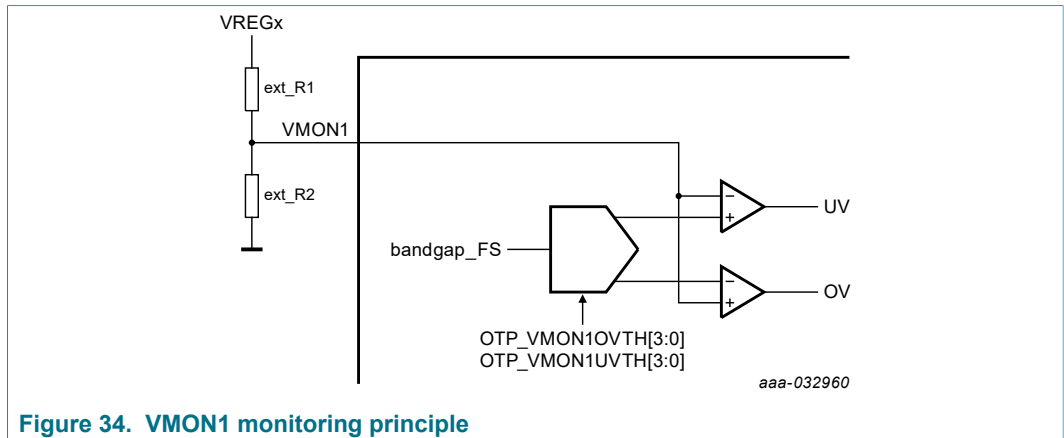


Figure 34. VMON1 monitoring principle

The external resistor bridge connected to VMON1 shall be calculated to deliver a middle point of 0.8V. It is recommended to use ±1 % or less resistor accuracy. When overvoltage or undervoltage fault is detected, the fail-safe reaction on RSTB is configurable with the VMON1_OV/UV_FS_IMPACT[1:0] bits during the INIT_FS phase.

Table 86. VMONx error impact configuration

| VMONx_OV_FS_IMPACT[1:0] | VMON1 OV impact on RSTB |
|-------------------------|-------------------------|
| 00 | No effect on RSTB |
| 01 | Reserved |
| 1x (default) | RSTB is asserted |
| Reset condition | POR |

| VMONx_UV_FS_IMPACT[1:0] | VMON1 UV impact on RSTB |
|-------------------------|-------------------------|
| 00 | No effect on RSTB |
| 01 (default) | No effect on RSTB |
| 1x | RSTB is asserted |
| Reset condition | POR |

Table 87. VMON1 (without ext resistor accuracy) electrical characteristics

T_A = -40 °C to 125 °C, unless otherwise specified. VSUP = VSUP_UVH to 36 V, unless otherwise specified. All voltages referenced to ground.

| Symbol | Parameter | Min | Typ | Max | Unit |
|---------------|--|-----|------|-----|------|
| VMON1_OV_min | Overvoltage threshold minimum | — | +4.5 | — | % |
| VMON1_OV_max | Overvoltage threshold maximum | — | +12 | — | % |
| VMON1_OV_step | Overvoltage threshold step (OTP_VMON1OVTH[7:0] bits) | — | +0.5 | — | % |
| VMON1_OV_acc | Overvoltage threshold accuracy | -2 | — | 2 | % |
| TMON1_OV | Overvoltage filtering time (OTP_VMON1_OV_DGLT bit) | 20 | 25 | 30 | µs |
| | | 40 | 45 | 50 | µs |
| VMON1_UV_min | Undervoltage threshold minimum | — | -4.5 | — | % |
| VMON1_UV_max | Undervoltage threshold maximum | — | -12 | — | % |

| Symbol | Parameter | Min | Typ | Max | Unit |
|---------------|---|-----|------|-----|------|
| VMON1_UV_step | Undervoltage threshold step (OTP_VMON1UVTH[7:0] bits) | — | -0.5 | — | % |
| VMON1_UV_acc | Undervoltage threshold accuracy | -2 | — | 2 | % |
| TMON1_UV | Undervoltage filtering time (OTP_VMON1_UV_DGLT[1:0] bits) | 2.5 | 5 | 7.5 | μs |
| | | 10 | 15 | 20 | μs |
| | | 20 | 25 | 30 | μs |
| | | 35 | 40 | 45 | μs |
| VMON1_PD | Internal passive pull down | 1 | 2 | 4 | MΩ |

27.3 Fault management

27.3.1 Fault source and reaction

In normal operation when RSTB is released, the fault error counter is incremented when a fault is detected by the FS5502 fail-safe state machine. [Table 88](#) lists the faults and their impact on PGOOD and RSTB pins according to the device configuration. The faults that are configured to not assert RSTB will not increment the fault error counter. In that case, only the flags are available for MCU diagnostic.

Table 88. Application related fail-safe fault list and reaction

In Orange, the reaction is not configurable.

In Green, the reaction is configurable by OTP for PGOOD and I²C for RSTB during INIT_FS.

| Apps related fail-safe faults | FLT_ERR_CNT increment | RSTB assertion | PGOOD assertion |
|---------------------------------------|-----------------------|--------------------------|-----------------|
| VCOREMON_OV | +1 | VCOREMON_OV_FS_IMPACT[1] | OTP config |
| VDDIO_OV | +1 | VDDIO_OV_FS_IMPACT[1] | OTP config |
| VMON1_OV | +1 | VMON1_OV_FS_IMPACT[1] | OTP config |
| VCOREMON_UV | +1 | VCOREMON_UV_FS_IMPACT[1] | OTP config |
| VDDIO_UV | +1 | VDDIO_UV_FS_IMPACT[1] | OTP config |
| VMON1_UV | +1 | VMON1_UV_FS_IMPACT[1] | OTP config |
| External RESET (out of extended RSTB) | +1 | Yes (low externally) | No |
| RSTB pulse request by MCU | No | Yes | No |
| RSTB short to high | +1 | No (high externally) | No |
| REG_CORRUPT = 1 | +1 | No | No |
| OTP_CORRUPT = 1 | +1 | No | No |

If OTP_PGOOD_RSTB = 0 (default configuration), RSTB and PGOOD pins work independently according to [Table 88](#). If OTP_PGOOD_RSTB = 1, RSTB and PGOOD pins work concurrently and all the faults asserting RSTB will also assert PGOOD.

27.3.2 Fault error counter

The FS5502 integrates a configurable fault error counter that counts the number of faults related to the device itself and also caused by external events. The fault error counter starts at level 1 after a POR or resuming from Standby. The final value of the fault error

counter is used to transition in DEEP-FS mode. The maximum value of this counter is configurable with the FLT_ERR_CNT_LIMIT[1:0] bits during the INIT_FS phase.

Table 89. Fault error counter configuration

| FLT_ERR_CNT_LIMIT[1:0] | Fault error counter max value configuration |
|------------------------|---|
| 00 | 2 |
| 01 (default) | 6 |
| 10 | 8 |
| 11 | 12 |
| Reset condition | POR |

27.4 PGOOD, RSTB

These two output pins have a hierarchical implementation in order to guarantee the safe state.

- PGOOD has the priority one. If PGOOD is asserted, RSTB is asserted.
- RSTB has the priority two. If RSTB is asserted, PGOOD may not be asserted.

27.4.1 PGOOD

PGOOD is an open-drain output that can be connected in the application to the PORB of the MCU. PGOOD requires an external pull-up resistor to VDDIO and a filtering capacitor to GND for immunity. An internal pull-down RPD ensures PGOOD low level in Standby and Power down mode. VCOREMON, VDDIO, VMON1 can be assigned to PGOOD by OTP.

PGOOD is asserted low by the FS_LOGIC when any of the assigned regulators are in undervoltage or overvoltage. When PGOOD is asserted low, RSTB is also asserted low. An internal pull up on the gate of the low-side MOS ensures PGOOD low level in case of FS_LOGIC failure.

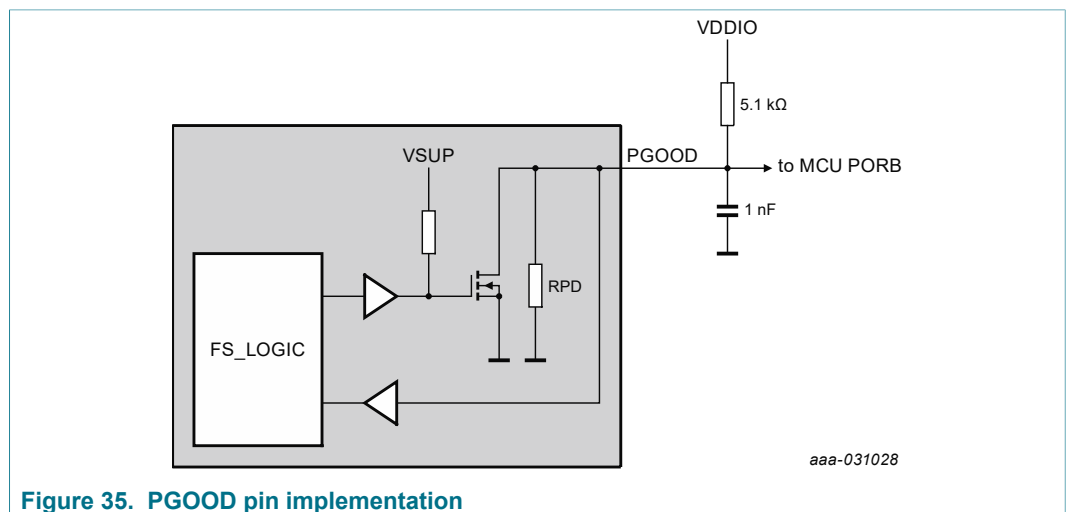


Figure 35. PGOOD pin implementation

Table 90. PGOOD electrical characteristics

$T_A = -40\text{ }^\circ\text{C}$ to $125\text{ }^\circ\text{C}$, unless otherwise specified. $VSUP = VSUP_UVH$ to 36 V , unless otherwise specified. All voltages referenced to ground.

| Symbol | Parameter | Min | Typ | Max | Unit |
|-----------------------|---------------------------------------|-----|-----|-----|------|
| PGOOD _{VIL} | Low level input voltage threshold | 1.0 | — | — | V |
| PGOOD _{VIH} | High level input voltage threshold | — | — | 2.0 | V |
| PGOOD _{HYST} | Input voltage hysteresis | 100 | — | — | mV |
| PGOOD _{VOL} | Low level output voltage (I = 2.0 mA) | — | — | 0.5 | V |
| PGOOD _{RPD} | Internal pull-down resistor | 200 | 400 | 800 | kΩ |
| PGOOD _{ILIM} | Current limitation | 4.0 | — | 20 | mA |
| PGOOD _{TFB} | Feedback filtering time | 8.0 | — | 15 | μs |

27.4.2 RSTB

RSTB is an open-drain output that can be connected in the application to the RESET of the MCU. RSTB requires an external pull-up resistor to VDDIO and a filtering capacitor to GND for immunity. An internal pull-down RPD ensure RSTB low level in Standby and Power down mode. RSTB assertion depends on the device configuration during INIT_FS phase. An internal pull up on the gate of the low-side MOS ensures RSTB low level in case of FS_LOGIC failure. When RSTB is stuck low for more than $RSTB_{T8S}$, the device transitions in DEEP-FS mode.

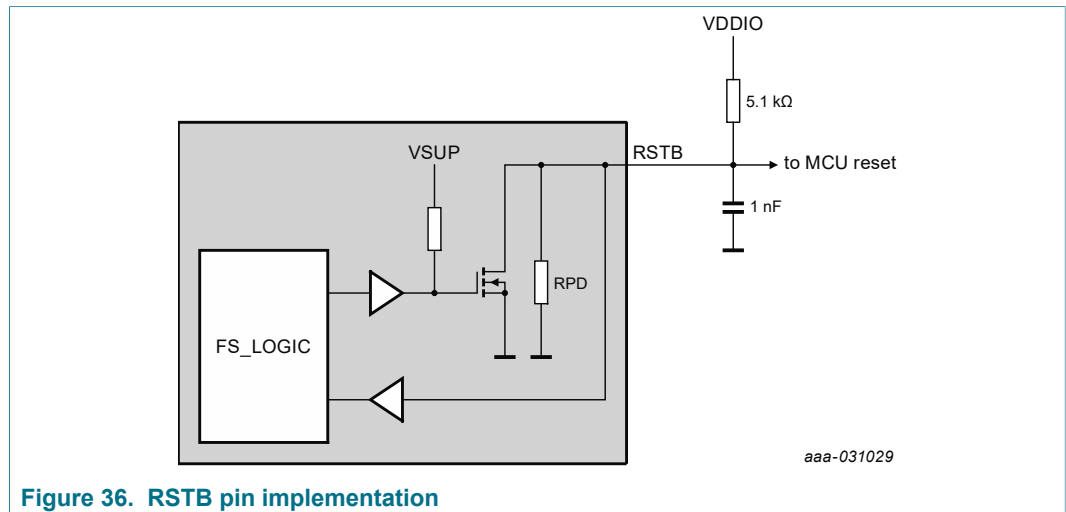


Figure 36. RSTB pin implementation

Table 91. RSTB electrical characteristics

$T_A = -40\text{ }^{\circ}\text{C}$ to $125\text{ }^{\circ}\text{C}$, unless otherwise specified. $VSUP = VSUP_UVH$ to 36 V, unless otherwise specified. All voltages referenced to ground.

| Symbol | Parameter | Min | Typ | Max | Unit |
|--------------------------|--|-----|-----|-----|------------|
| RSTB _{VIL} | Low level input voltage threshold | 1.0 | — | — | V |
| RSTB _{VIH} | High level input voltage threshold | — | — | 2.0 | V |
| RSTB _{HYST} | Input voltage hysteresis | 100 | — | — | mV |
| RSTB _{VOL} | Low level output voltage (I = 2.0 mA) | — | — | 0.5 | V |
| RSTB _{RPB} | Internal pull-down resistor | 200 | 400 | 800 | k Ω |
| RSTB _{ILIM} | Current limitation | 4.0 | — | 20 | mA |
| RSTB _{TFB} | Feedback filtering time | 8.0 | — | 15 | μ s |
| RSTB _{TSC} | Short to high filtering time | 500 | — | 800 | us |
| RSTB _{TLG} | Long pulse (configurable with RSTB_DUR bit) | 9.0 | — | 11 | ms |
| RSTB _{TST} | Short pulse (configurable with RSTB_DUR bit) | 0.9 | — | 1.1 | ms |
| RSTB _{T8S} | 8 second timer | 7.0 | 8.0 | 9.0 | s |
| RSTB _{TRELEASE} | Time to release RSTB from Wake-up or POR with all regulators started in Slot 0 | — | 8 | — | ms |

28 Package information

FS5502 package is a QFN (sawn), thermally enhanced wettable flanks, 8 x 8 x 0.85 mm, 0.5 mm pitch, 56 pins. The assembly can be done at two different NXP assembly sites with slight wettable flank difference but sharing the same PCB footprint.

29 Package outline

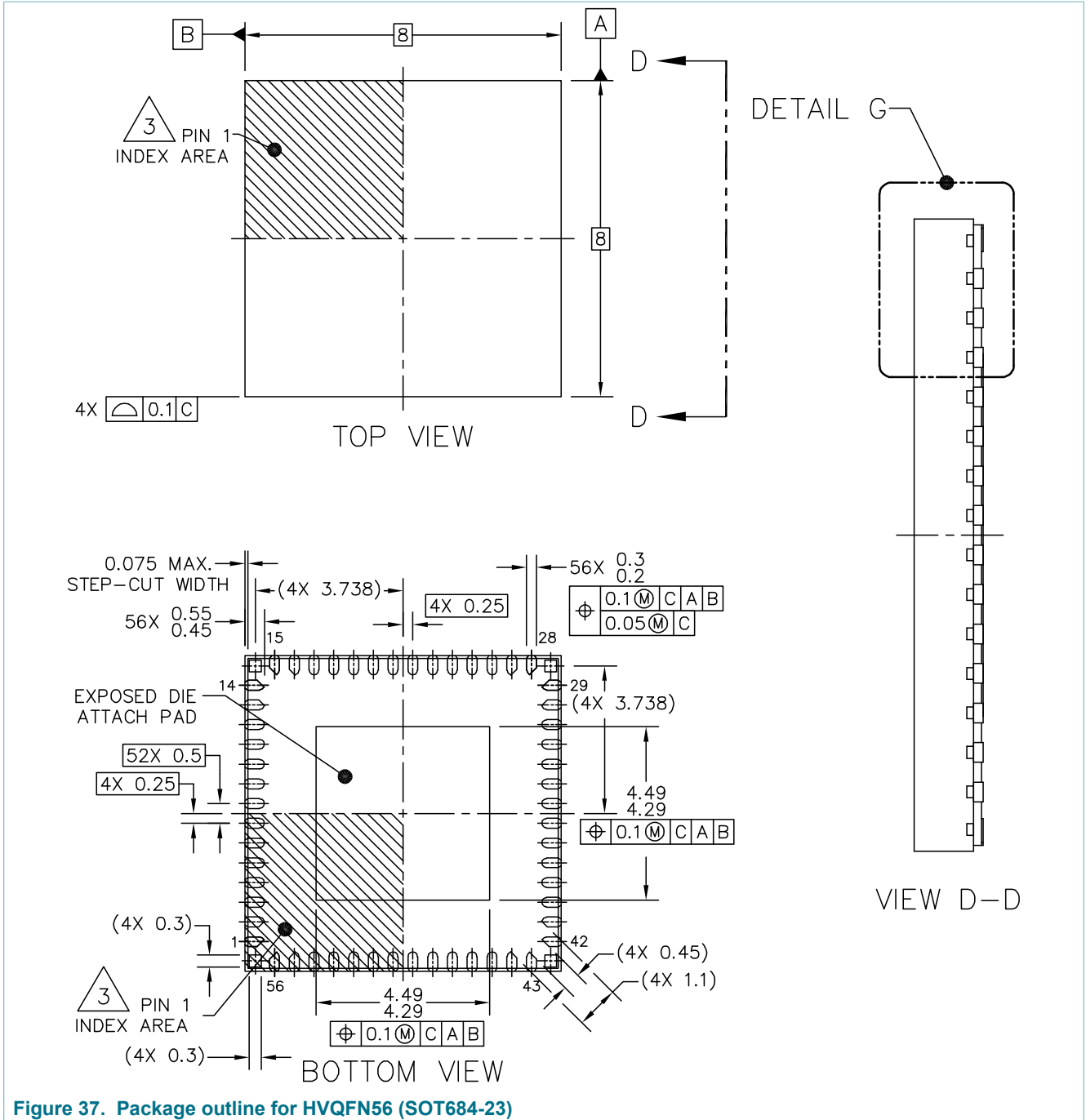


Figure 37. Package outline for HVQFN56 (SOT684-23)

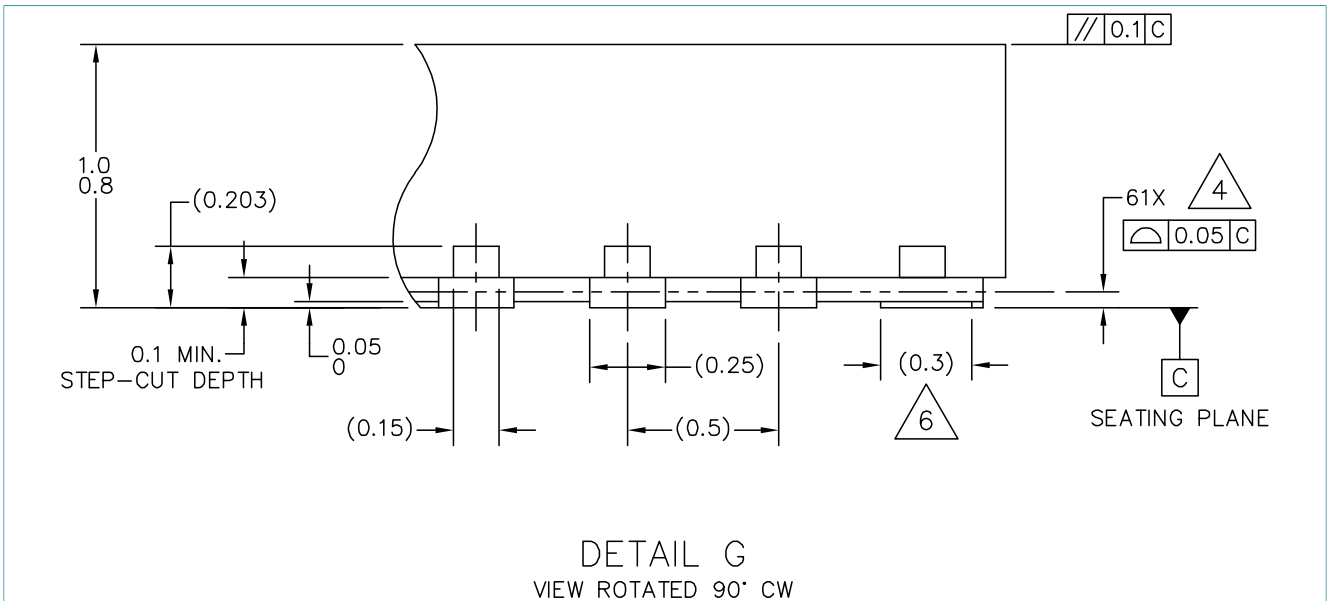


Figure 38. Package outline detail for HVQFN56 (SOT684-23)

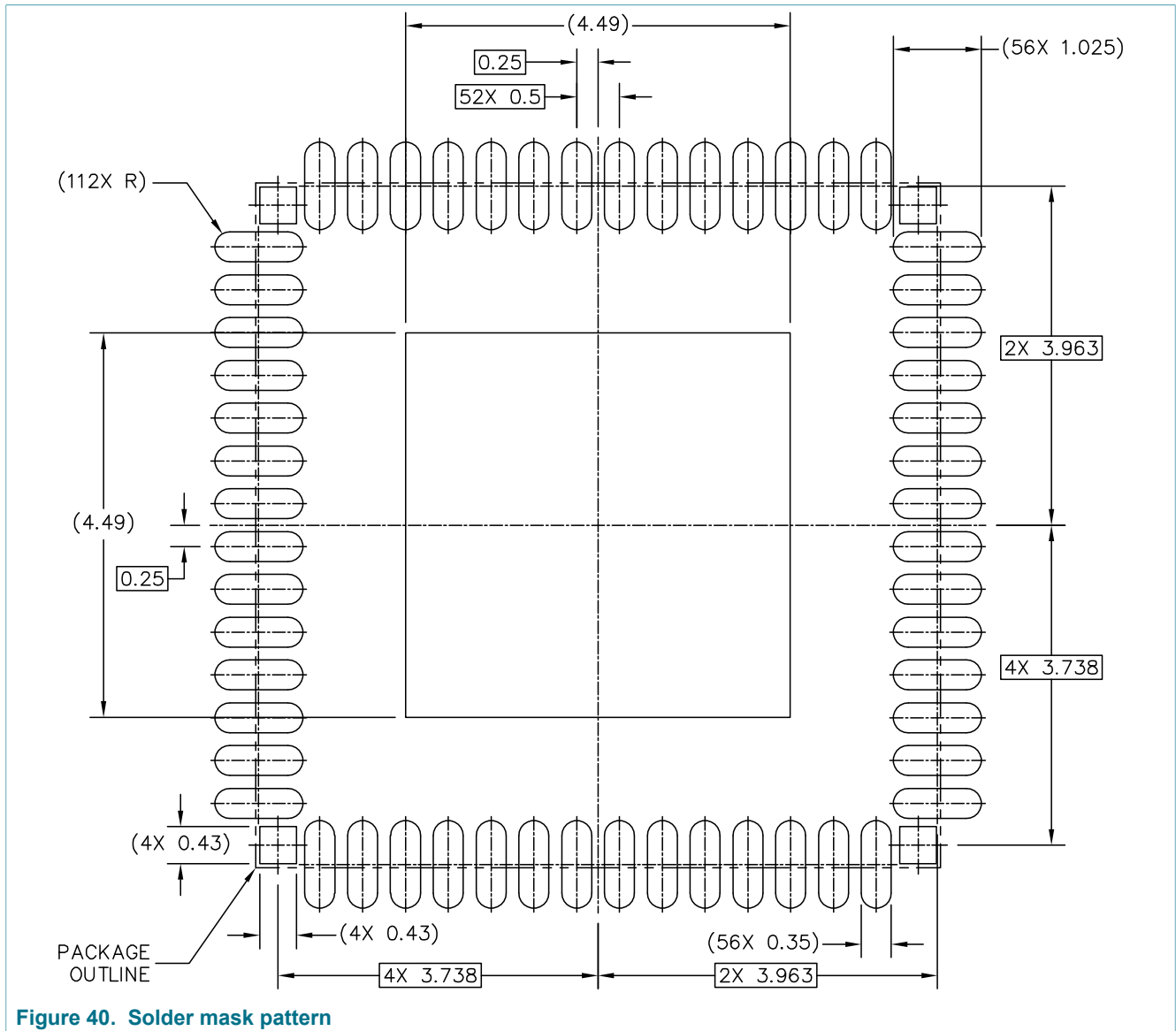
NOTES:

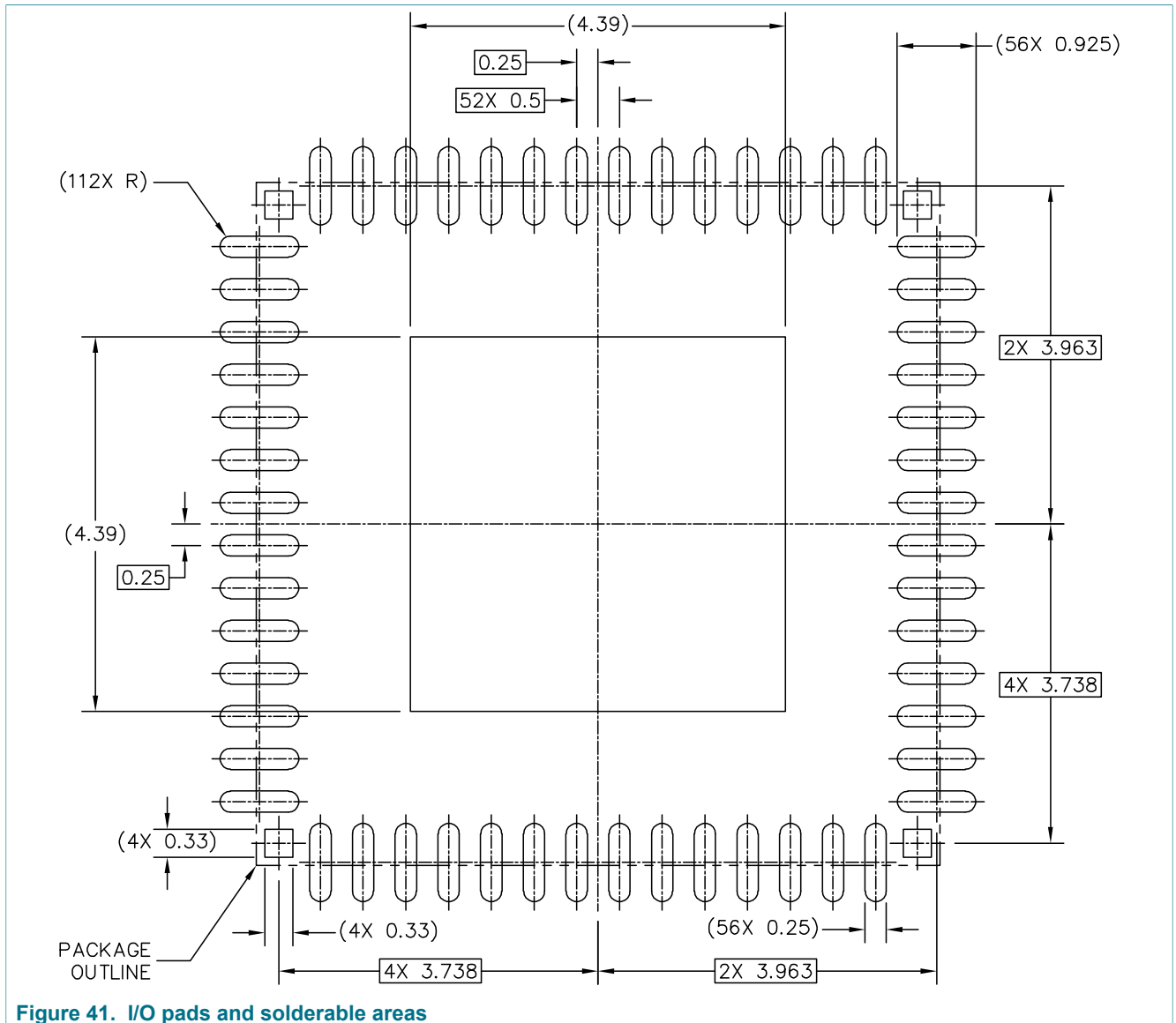
1. ALL DIMENSIONS ARE IN MILLIMETERS.
2. DIMENSIONING AND TOLERANCING PER ASME Y14.5M-1994.
3. PIN 1 FEATURE SHAPE, SIZE AND LOCATION MAY VARY.
4. COPLANARITY APPLIES TO LEADS, DIE ATTACH FLAG AND CORNER NON-FUNCTIONAL PADS.
5. MIN. METAL GAP SHOULD BE 0.25 MM.
6. ANCHORING PADS.

Figure 39. Package outline notes for HVQFN56 (SOT684-23)

30 Layout and PCB guidelines

30.1 Landing pad information





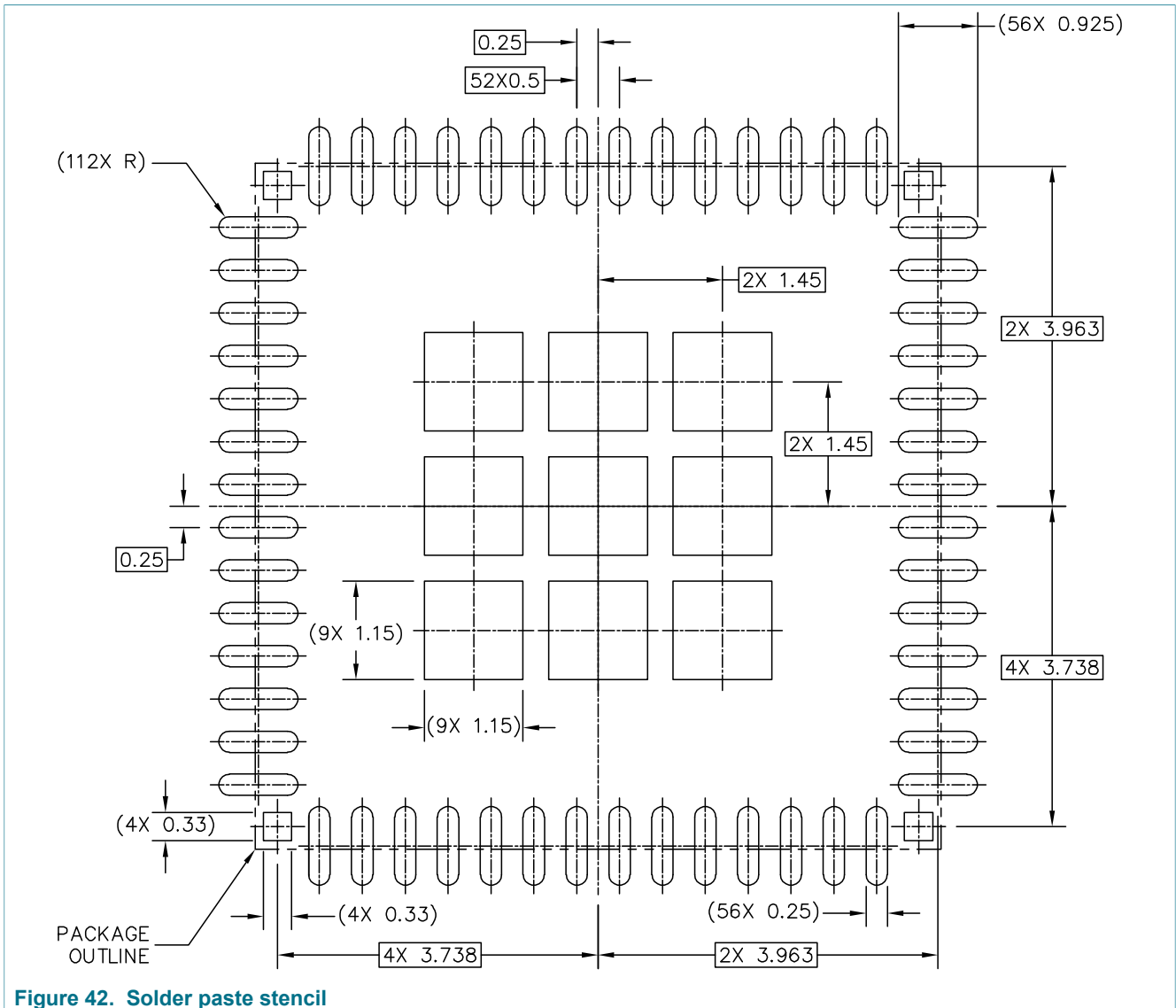


Figure 42. Solder paste stencil

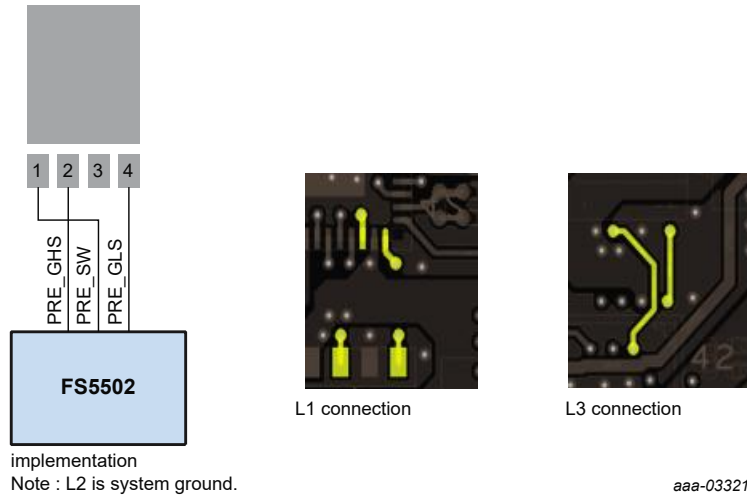
30.2 Component selection

- SMPS input and output capacitors shall be chosen with low ESR (ceramic or MLCC type of capacitors). X7R ceramic type is preferred. Input decoupling capacitors shall be placed as close as possible to the device pin. Output capacitor voltage rating shall be selected to be 3x the voltage output value to minimize the DC bias degradation.
- SMPS inductors shall be shielded with ISAT higher than maximum inductor peak current.

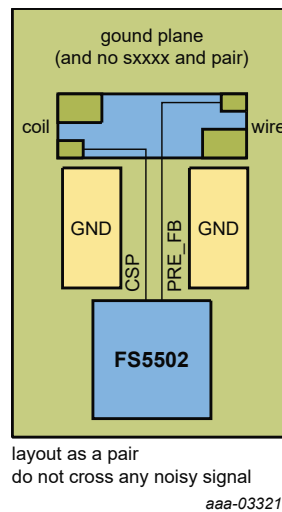
30.3 VPRE

- Inductor charging and discharging current loop is designed as small as possible.
- Input decoupling capacitors are placed close to the high-side drain transistor pin.
- The boot strap capacitor is placed close to the device pin using wide and short track to connect to the external low-side drain transistor.

- PRE_GLS, PRE_GHS and PRE_SW tracks are wide and short and should not cross any sensitive signal (current sensing, for example).



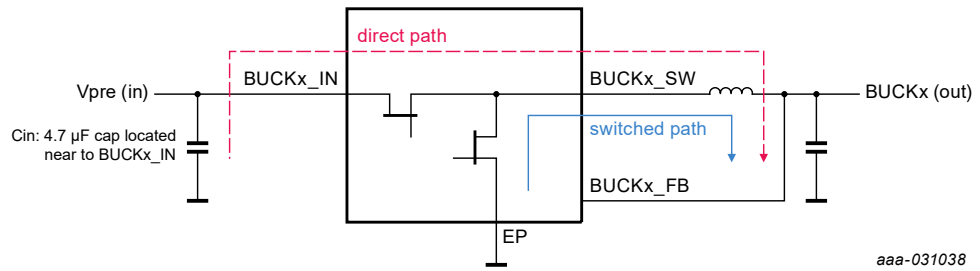
- PRE_FB used as voltage feedback and current sense shall be connected to R_{SHUNT} and routed as a pair with CSP.



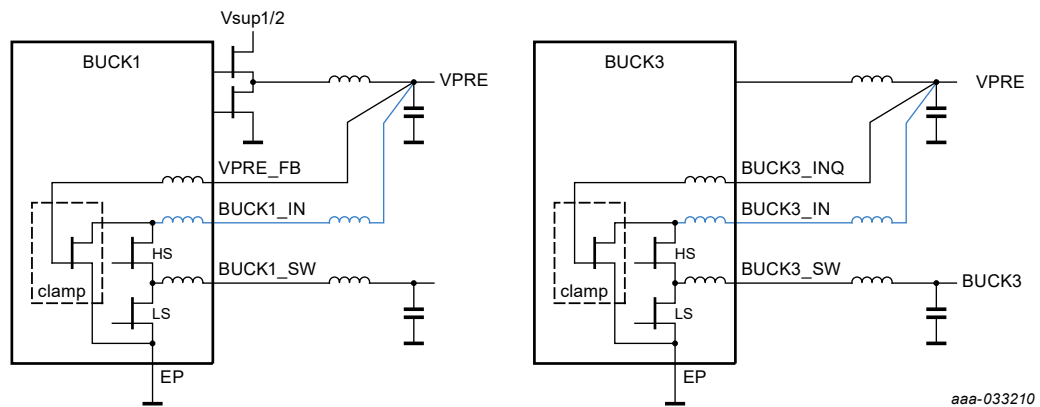
- The external transistor thermal shape should be in the range of 25 x 25 mm for optimum R_{th} .
- The LFPK56 application note can give better insight: <http://assets.nexperia.com/documents/application-note/AN10874.pdf>

30.4 VBUCKx

- Inductor charging and discharging current loop is designed as small as possible.



- Input decoupling capacitors is placed close to BUCKx_IN pins.
- BUCK3_FB and BUCK3_INQ pins shall be tied to the same capacitor, VPRE output capacitor depending on BUCK3_IN supply selected (in the blue path below, the coil is parasitic from tracks). In the package, the coil is parasitic from the bonding.



31 EMC compliance

The FS5502 EMC performance will be verified against BISS generic IC EMC test specification version 2.0 from 07.2012 and FMC1278 electromagnetic compatibility specification for electrical/electronic components and subsystems from 2016 with the following specific conditions:

- Conducted emission: IEC 61967-4
 - Global pins: VBAT (Vsup1 and Vsup2), WAKE1/2, 150 Ω method, 12-M level
 - Local pins: VPRE, BUCK1/3, LDO1, 150 Ω method, 10-K level
- Conducted immunity: IEC 62132-4
 - Global pins: VBAT (Vsup1 and Vsup2), 36 dBm, Class A (no state change on RSTB, PGOOD and all regulators in spec)
 - Global pins: WAKE1, WAKE2, 30 dBm, Class A (no state change on RSTB, PGOOD and all regulators in spec)
 - Local pins: RSTB, PGOOD, VDDIO, VDDI2C, VBOS, 12 dBm, Class A (no state change on RSTB, PGOOD and all regulators in spec)
 - Supply pins: VPRE, BUCK1/3, LDO1, 12 dBm, Class A (no state change on RSTB, PGOOD and all regulators in spec)
- Radiated emission: FMC1278 from July 2015
 - Compliance with FMC1278 RE310 Level 2 requirement in Normal mode
- Radiated immunity: FMC1278 from July 2015

- Injection level per FMC1278 RI112 Level 2 requirement in Normal mode,
- Injection level per FMC1278 RI112 Level 2 requirement in Normal mode,
- No wake up when injecting FMC1278 RI112 Level 2 requirement in Standby mode

32 References

- [1] **FS5502_PDTCALC**^[1] — VPRE compensation network calculation and power dissipation tool (Excel file)
- [2] **FS5502_OTP_Mapping**^[1] — OTP programming configuration (Excel file)
- [3] **FS5502_VPRE_Simplis_Model**^[1] — Simplis model for stability and transient simulations
- [4] **Schematic**^[1] — Reference schematic in Cadence and PDF formats
- [5] **Layout**^[1] — Reference layout in Cadence format
- [6] **EVB**^[1] — Evaluation board (EVB)
- [7] **FlexGUI**^[1] — Graphical user interface to be used with the EVB

[1] Contact NXP sales representative.

33 Revision history

Table 92. Revision history

| Document ID | Release date | Data sheet status | Change notice | Supersedes |
|---------------|--|------------------------|---------------|--------------|
| FS5502 v.3.0 | 2020127 | Product data sheet | 201912015I | FS5502 v.2.1 |
| Modifications | <ul style="list-style-type: none"> • Global: multiple formatting and wording updates, deleted "SPI" references • Global: changed data sheet status from Preliminary to Product • Section 5: replaced PC part by MC and added MC33FS5502Y3ES • Table 2: updated ground pin description • Table 78: added values for BUCKx_SW and updated min value for DC voltage (replaced -1.0 by -0.3) • Section 12.1: updated values in Table 57 • Table 79: updated T_A and T_J description (added "Grade1") • Figure 7: corrected typo (replaced WAKE1 by WAKE1/2) • Table 4: updated T_{DBG} values and unit • Table 21: updated reset value for Bit 22 and Bit 23 (replaced 0 by 1) • Table 49: updated reset value for Bit 17 and Bit 22 (replaced 0 by 1) • Table 57: corrected typo (replaced "OTP_CFG_BUCK2_1" by "OTP_CFG_BUCK1_3 and "OTP_CFG_BUCK2_2" by "OTP_CFG_BUCK1_4" • Table 59: updated OTP_CFG_BUCK1_2 register description (replaced 2.6 A by Reserved) • Table 59: updated OTP_CFG_CLOCK_4 register description • Section 14.1: updated description (first paragraph) • Section 14.3: updated calculation method • Section 18.5: updated description • Section 14.5: updated description and values in Table 63 • Section 23: updated assumptions and description (replaced "V_{FPRE_SW}" by "F_{PRE_SW}") • Table 91: updated min and max values for RSTB_{ILIM} (replaced 6.0 by 4.0 and 22 by 20) • Section 8.4: updated description and corrected typo in Figure 5 • Section 8.5: updated T_{DBG} description • Section 20.3: enhanced description (added Figure 28 and Table 76) • Section 22.2: updated description for charged device model • Section 30.3, Section 30.4: updated description • Table 59: updated OTP description • Table 60: updated OTP_CFG_UVOV_3 register description • Table 61, Table 62, Table 64, Table 65: updated parameters • Section 14.6: updated Figure 13 • Table 13: updated reset value for Bit 12 and Bit 11 (replaced OTP by 1) • Section 10.16: updated read and rest values and register bit description • Table 90: updated min and max values for PGOOD_{ILIM} • Section 9: corrected typo (deleted R/W SPI column) | | | |
| FS5502 v.2.1 | 20190521 | Preliminary data sheet | — | FS5502 v.2 |
| Modifications | <ul style="list-style-type: none"> • Changed data sheet status from Objective to Preliminary • Section 8.3, last sentence, changed "...asserting the Safety pins (PGOOD, RSTB)..." to "...asserting the pins (PGOOD, RSTB)..." • Section 9, changed register name from "FS_DIAG_SAFETY" to "FS_DIAG" • Table 35, changed register name from "FS_DIAG_SAFETY" to "FS_DIAG" • Table 36, changed register name from "FS_DIAG_SAFETY" to "FS_DIAG" • Section 11.10 <ul style="list-style-type: none"> – Changed section title from "FS_DIAG_SAFETY register" to "FS_DIAG register" – Changed name of Table 51 from "FS_DIAG_SAFETY register bit allocation" to "FS_DIAG register bit allocation" – Changed name of Table 52 from "FS_DIAG_SAFETY register bit description" to "FS_DIAG register bit description" • Section 14.1, deleted last sentence: "These monitoring are not safety related." • Section 27, changed section title from "Functional safety" to "Fail Safe domain description" • Section 27.4, changed "These two safety output pins..." to "These two output pins..." | | | |

| Document ID | Release date | Data sheet status | Change notice | Supersedes |
|-------------|--------------|----------------------|---------------|------------|
| FS5502 v.2 | 20190416 | Objective data sheet | — | FS5502 v.1 |
| FS5502 v.1 | 20190228 | Objective data sheet | — | — |

34 Legal information

34.1 Data sheet status

| Document status ^{[1][2]} | Product status ^[3] | Definition |
|-----------------------------------|-------------------------------|---|
| Objective [short] data sheet | Development | This document contains data from the objective specification for product development. |
| Preliminary [short] data sheet | Qualification | This document contains data from the preliminary specification. |
| Product [short] data sheet | Production | This document contains the product specification. |

[1] Please consult the most recently issued document before initiating or completing a design.

[2] The term 'short data sheet' is explained in section "Definitions".

[3] The product status of device(s) described in this document may have changed since this document was published and may differ in case of multiple devices. The latest product status information is available on the Internet at URL <http://www.nxp.com>.

34.2 Definitions

Draft — The document is a draft version only. The content is still under internal review and subject to formal approval, which may result in modifications or additions. NXP Semiconductors does not give any representations or warranties as to the accuracy or completeness of information included herein and shall have no liability for the consequences of use of such information.

Short data sheet — A short data sheet is an extract from a full data sheet with the same product type number(s) and title. A short data sheet is intended for quick reference only and should not be relied upon to contain detailed and full information. For detailed and full information see the relevant full data sheet, which is available on request via the local NXP Semiconductors sales office. In case of any inconsistency or conflict with the short data sheet, the full data sheet shall prevail.

Product specification — The information and data provided in a Product data sheet shall define the specification of the product as agreed between NXP Semiconductors and its customer, unless NXP Semiconductors and customer have explicitly agreed otherwise in writing. In no event however, shall an agreement be valid in which the NXP Semiconductors product is deemed to offer functions and qualities beyond those described in the Product data sheet.

34.3 Disclaimers

Limited warranty and liability — Information in this document is believed to be accurate and reliable. However, NXP Semiconductors does not give any representations or warranties, expressed or implied, as to the accuracy or completeness of such information and shall have no liability for the consequences of use of such information. NXP Semiconductors takes no responsibility for the content in this document if provided by an information source outside of NXP Semiconductors. In no event shall NXP Semiconductors be liable for any indirect, incidental, punitive, special or consequential damages (including - without limitation - lost profits, lost savings, business interruption, costs related to the removal or replacement of any products or rework charges) whether or not such damages are based on tort (including negligence), warranty, breach of contract or any other legal theory. Notwithstanding any damages that customer might incur for any reason whatsoever, NXP Semiconductors' aggregate and cumulative liability towards customer for the products described herein shall be limited in accordance with the Terms and conditions of commercial sale of NXP Semiconductors.

Right to make changes — NXP Semiconductors reserves the right to make changes to information published in this document, including without limitation specifications and product descriptions, at any time and without

notice. This document supersedes and replaces all information supplied prior to the publication hereof.

Applications — Applications that are described herein for any of these products are for illustrative purposes only. NXP Semiconductors makes no representation or warranty that such applications will be suitable for the specified use without further testing or modification. Customers are responsible for the design and operation of their applications and products using NXP Semiconductors products, and NXP Semiconductors accepts no liability for any assistance with applications or customer product design. It is customer's sole responsibility to determine whether the NXP Semiconductors product is suitable and fit for the customer's applications and products planned, as well as for the planned application and use of customer's third party customer(s). Customers should provide appropriate design and operating safeguards to minimize the risks associated with their applications and products. NXP Semiconductors does not accept any liability related to any default, damage, costs or problem which is based on any weakness or default in the customer's applications or products, or the application or use by customer's third party customer(s). Customer is responsible for doing all necessary testing for the customer's applications and products using NXP Semiconductors products in order to avoid a default of the applications and the products or of the application or use by customer's third party customer(s). NXP does not accept any liability in this respect.

Limiting values — Stress above one or more limiting values (as defined in the Absolute Maximum Ratings System of IEC 60134) will cause permanent damage to the device. Limiting values are stress ratings only and (proper) operation of the device at these or any other conditions above those given in the Recommended operating conditions section (if present) or the Characteristics sections of this document is not warranted. Constant or repeated exposure to limiting values will permanently and irreversibly affect the quality and reliability of the device.

Terms and conditions of commercial sale — NXP Semiconductors products are sold subject to the general terms and conditions of commercial sale, as published at <http://www.nxp.com/profile/terms>, unless otherwise agreed in a valid written individual agreement. In case an individual agreement is concluded only the terms and conditions of the respective agreement shall apply. NXP Semiconductors hereby expressly objects to applying the customer's general terms and conditions with regard to the purchase of NXP Semiconductors products by customer.

No offer to sell or license — Nothing in this document may be interpreted or construed as an offer to sell products that is open for acceptance or the grant, conveyance or implication of any license under any copyrights, patents or other industrial or intellectual property rights.

Suitability for use in automotive applications — This NXP Semiconductors product has been qualified for use in automotive applications. Unless otherwise agreed in writing, the product is not designed, authorized or warranted to be suitable for use in life support, life-critical or safety-critical systems or equipment, nor in applications where failure or malfunction of an NXP Semiconductors product can reasonably be expected

to result in personal injury, death or severe property or environmental damage. NXP Semiconductors and its suppliers accept no liability for inclusion and/or use of NXP Semiconductors products in such equipment or applications and therefore such inclusion and/or use is at the customer's own risk.

Export control — This document as well as the item(s) described herein may be subject to export control regulations. Export might require a prior authorization from competent authorities.

Translations — A non-English (translated) version of a document is for reference only. The English version shall prevail in case of any discrepancy between the translated and English versions.

34.4 Trademarks

Notice: All referenced brands, product names, service names and trademarks are the property of their respective owners.

NXP — is a trademark of NXP B.V.

Tables

| | | | | | |
|----------|---|----|----------|--|-----|
| Tab. 1. | Ordering information | 2 | Tab. 47. | FS_OVUVREG_STATUS register bit allocation | 35 |
| Tab. 2. | Pin description | 4 | Tab. 48. | FS_OVUVREG_STATUS register bit description | 36 |
| Tab. 3. | Connection of unused pins | 6 | Tab. 49. | FS_SAFE_IOS register bit allocation | 37 |
| Tab. 4. | Electrical characteristics | 12 | Tab. 50. | FS_SAFE_IOS register bit description | 37 |
| Tab. 5. | Main writing registers overview | 14 | Tab. 51. | FS_DIAG register bit allocation | 38 |
| Tab. 6. | Main reading registers overview | 14 | Tab. 52. | FS_DIAG register bit description | 38 |
| Tab. 7. | M_FLAG register bit allocation | 15 | Tab. 53. | FS_INTB_MASK register bit allocation | 39 |
| Tab. 8. | M_FLAG register bit description | 15 | Tab. 54. | FS_INTB_MASK register bit description | 39 |
| Tab. 9. | M_MODE register bit allocation | 16 | Tab. 55. | FS_STATES register bit allocation | 39 |
| Tab. 10. | M_MODE register bit description | 17 | Tab. 56. | FS_STATES register bit description | 40 |
| Tab. 11. | M_REG_CTRL1 register bit allocation | 17 | Tab. 57. | Main OTP_REGISTERS | 41 |
| Tab. 12. | M_REG_CTRL1 register bit description | 18 | Tab. 58. | Fail-safe OTP_REGISTERS | 42 |
| Tab. 13. | M_REG_CTRL2 register bit allocation | 19 | Tab. 59. | Main OTP bit description | 42 |
| Tab. 14. | M_REG_CTRL2 register bit description | 19 | Tab. 60. | Fail-safe OTP bit description | 47 |
| Tab. 15. | M_CLOCK register bit allocation | 20 | Tab. 61. | Best of supply electrical characteristics | 53 |
| Tab. 16. | M_CLOCK register bit description | 20 | Tab. 62. | VPRE electrical characteristics | 57 |
| Tab. 17. | M_INT_MASK1 register bit allocation | 21 | Tab. 63. | VPRE external MOSFETs recommendation | 59 |
| Tab. 18. | M_INT_MASK1 register bit description | 21 | Tab. 64. | BUCK1 electrical characteristics | 64 |
| Tab. 19. | M_INT_MASK2 register bit allocation | 22 | Tab. 65. | BUCK3 electrical characteristics | 70 |
| Tab. 20. | M_INT_MASK2 register bit description | 22 | Tab. 66. | LDO1 electrical characteristics | 72 |
| Tab. 21. | M_FLAG1 register bit allocation | 23 | Tab. 67. | Manual frequency tuning configuration | 74 |
| Tab. 22. | M_FLAG1 register bit description | 24 | Tab. 68. | FOUT multiplexer selection | 75 |
| Tab. 23. | M_FLAG2 register bit allocation | 25 | Tab. 69. | Electrical characteristics | 75 |
| Tab. 24. | M_FLAG2 register bit description | 25 | Tab. 70. | WAKE1, WAKE2 electrical characteristics | 76 |
| Tab. 25. | M_VMON_REGx register bit allocation | 27 | Tab. 71. | INTB electrical characteristics | 77 |
| Tab. 26. | M_VMON_REGx register bit description | 27 | Tab. 72. | List of interrupts from main logic | 77 |
| Tab. 27. | M_LVB1_SVS register bit allocation | 27 | Tab. 73. | List of interrupts from fail-safe logic | 77 |
| Tab. 28. | M_LVB1_SVS register bit description | 28 | Tab. 74. | PSYNC electrical characteristics | 80 |
| Tab. 29. | M_MEMORY0 register bit allocation | 28 | Tab. 75. | I2C message arrangement | 81 |
| Tab. 30. | M_MEMORY0 register bit description | 28 | Tab. 76. | CRC results example | 82 |
| Tab. 31. | M_MEMORY1 register bit allocation | 29 | Tab. 77. | I2C electrical characteristics | 82 |
| Tab. 32. | M_MEMORY1 register bit description | 29 | Tab. 78. | Maximum ratings | 83 |
| Tab. 33. | M_DEVICEID register bit allocation | 29 | Tab. 79. | Thermal ratings | 84 |
| Tab. 34. | M_DEVICEID register bit description | 29 | Tab. 80. | Electrical characteristics | 85 |
| Tab. 35. | Fail-safe writing registers overview | 30 | Tab. 81. | VCOREMON error impact configuration | 87 |
| Tab. 36. | Fail-safe reading registers overview | 31 | Tab. 82. | VCOREMON electrical characteristics | 88 |
| Tab. 37. | FS_GRL_FLAGS register bit allocation | 31 | Tab. 83. | SVS offset configuration | 88 |
| Tab. 38. | FS_GRL_FLAGS register bit description | 32 | Tab. 84. | VDDIO error impact configuration | 90 |
| Tab. 39. | FS_I_OVUV_SAFE_REACTION1 register bit allocation | 32 | Tab. 85. | VDDIO electrical characteristics | 90 |
| Tab. 40. | FS_I_OVUV_SAFE_REACTION1 register bit description | 32 | Tab. 86. | VMONx error impact configuration | 91 |
| Tab. 41. | FS_I_OVUV_SAFE_REACTION2 register bit allocation | 33 | Tab. 87. | VMON1 (without ext resistor accuracy) electrical characteristics | 91 |
| Tab. 42. | FS_I_OVUV_SAFE_REACTION2 register bit description | 33 | Tab. 88. | Application related fail-safe fault list and reaction | 92 |
| Tab. 43. | FS_I_FSSM register bit allocation | 33 | Tab. 89. | Fault error counter configuration | 93 |
| Tab. 44. | FS_I_FSSM register bit description | 33 | Tab. 90. | PGOOD electrical characteristics | 94 |
| Tab. 45. | FS_I_SVS register bit allocation | 34 | Tab. 91. | RSTB electrical characteristics | 95 |
| Tab. 46. | FS_I_SVS register bit description | 35 | Tab. 92. | Revision history | 104 |

Figures

| | | | | | |
|---------|--|---|---------|---|---|
| Fig. 1. | Simplified application diagram of FS5502 | 2 | Fig. 3. | Pin configuration for HVQFN56 | 4 |
| Fig. 2. | Block diagram of FS5502 | 3 | Fig. 4. | Simplified functional state diagram | 8 |

| | | | | | |
|----------|---|----|----------|--|-----|
| Fig. 5. | Power sequencing (VREGx PWR_UP) | 10 | Fig. 26. | Synchronization of one FS5502 and one external PMIC (PF82) | 79 |
| Fig. 6. | Power up sequence example | 11 | Fig. 27. | FS5502 and one PF82 synchronization timing diagram | 80 |
| Fig. 7. | Debug mode entry | 12 | Fig. 28. | CRC encoder example | 82 |
| Fig. 8. | VPRE schematic | 54 | Fig. 29. | Operating range | 84 |
| Fig. 9. | Type 2 compensation network concept | 55 | Fig. 30. | FS5502 Application diagram | 86 |
| Fig. 10. | Phase and gain margin simulation | 56 | Fig. 31. | Fail-safe block diagram | 87 |
| Fig. 11. | Transient response simulation | 57 | Fig. 32. | SVS principle | 89 |
| Fig. 12. | MOSFET gate charge definition | 60 | Fig. 33. | VDDIO monitoring principle | 89 |
| Fig. 13. | VPRE theoretical efficiency | 60 | Fig. 34. | VMON1 monitoring principle | 91 |
| Fig. 14. | BUCK1 standalone schematic | 62 | Fig. 35. | PGOOD pin implementation | 93 |
| Fig. 15. | Phase and gain margin simulation | 63 | Fig. 36. | RSTB pin implementation | 94 |
| Fig. 16. | Transient response simulation | 64 | Fig. 37. | Package outline for HVQFN56 (SOT684-23) ... | 96 |
| Fig. 17. | BUCK1 theoretical efficiency | 66 | Fig. 38. | Package outline detail for HVQFN56 (SOT684-23) | 97 |
| Fig. 18. | BUCK3 schematic | 67 | Fig. 39. | Package outline notes for HVQFN56 (SOT684-23) | 97 |
| Fig. 19. | Phase and gain margin simulation | 68 | Fig. 40. | Solder mask pattern | 98 |
| Fig. 20. | Transient response simulation | 69 | Fig. 41. | I/O pads and solderable areas | 99 |
| Fig. 21. | BUCK3 theoretical efficiency | 71 | Fig. 42. | Solder paste stencil | 100 |
| Fig. 22. | LDO1 block diagram | 72 | | | |
| Fig. 23. | Clock management block diagram | 73 | | | |
| Fig. 24. | Synchronization of two FS5502 | 78 | | | |
| Fig. 25. | Two FS5502 synchronization timing diagram | 79 | | | |

Contents

| | | | | | |
|-----------|---|-----------|-----------|--|-----------|
| 1 | General description | 1 | 14.2 | Application schematic | 54 |
| 2 | Features and benefits | 1 | 14.3 | Compensation network and stability | 54 |
| 3 | Applications | 2 | 14.4 | VPRE electrical characteristics | 57 |
| 4 | Simplified application diagram | 2 | 14.5 | VPRE external MOSFETs | 59 |
| 5 | Ordering information | 2 | 14.6 | VPRE efficiency | 60 |
| 6 | Block diagram | 3 | 14.7 | VPRE not populated | 61 |
| 7 | Pinning information | 4 | 15 | Low voltage buck: BUCK1 | 61 |
| 7.1 | Pinning | 4 | 15.1 | Functional description | 61 |
| 7.2 | Pin description | 4 | 15.2 | Application schematic: Single phase mode | 61 |
| 7.3 | Connection of unused pins | 6 | 15.3 | Compensation network and stability | 62 |
| 8 | Functional description | 8 | 15.4 | BUCK1 electrical characteristics | 64 |
| 8.1 | Simplified functional state diagram | 8 | 15.5 | BUCK1 efficiency | 65 |
| 8.2 | Main state machine | 8 | 16 | Low voltage buck: BUCK3 | 66 |
| 8.3 | Fail-safe state machine | 9 | 16.1 | Functional description | 66 |
| 8.4 | Power sequencing | 9 | 16.2 | Application schematic | 67 |
| 8.5 | Debug mode | 11 | 16.3 | Compensation network and stability | 67 |
| 9 | Register mapping | 13 | 16.4 | BUCK3 electrical characteristics | 70 |
| 10 | Main register mapping | 14 | 16.5 | BUCK3 efficiency | 70 |
| 10.1 | Main writing registers overview | 14 | 17 | Linear voltage regulator: LDO1 | 71 |
| 10.2 | Main reading registers overview | 14 | 17.1 | Functional description | 71 |
| 10.3 | M_FLAG register | 15 | 17.2 | Application schematics | 72 |
| 10.4 | M_MODE register | 16 | 17.3 | LDO1 electrical characteristics | 72 |
| 10.5 | M_REG_CTRL1 register | 17 | 18 | Clock management | 73 |
| 10.6 | M_REG_CTRL2 register | 19 | 18.1 | Clock description | 73 |
| 10.7 | M_CLOCK register | 20 | 18.2 | Phase shifting | 73 |
| 10.8 | M_INT_MASK1 register | 21 | 18.3 | Manual frequency tuning | 73 |
| 10.9 | M_INT_MASK2 register | 22 | 18.4 | Spread spectrum | 74 |
| 10.10 | M_FLAG1 register | 23 | 18.5 | External clock synchronization | 74 |
| 10.11 | M_FLAG2 register | 25 | 18.6 | Electrical characteristics | 75 |
| 10.12 | M_VMON_REGx register | 27 | 19 | I/O interface pins | 76 |
| 10.13 | M_LVB1_SVS register | 27 | 19.1 | WAKE1, WAKE2 | 76 |
| 10.14 | M_MEMORY0 register | 28 | 19.2 | INTB | 77 |
| 10.15 | M_MEMORY1 register | 29 | 19.3 | PSYNC for two FS5502 | 78 |
| 10.16 | M_DEVICEID register | 29 | 19.4 | PSYNC for FS5502 and external PMIC | 79 |
| 11 | Fail-safe register mapping | 30 | 20 | I2C interface | 80 |
| 11.1 | Fail-safe writing registers overview | 30 | 20.1 | I2C interface overview | 80 |
| 11.2 | Fail-safe reading registers overview | 31 | 20.2 | Device address | 81 |
| 11.3 | FS_GRL_FLAGS register | 31 | 20.3 | Cyclic redundant check | 81 |
| 11.4 | FS_I_OVUV_SAFE_REACTION1 register | 32 | 20.4 | I2C electrical characteristics | 82 |
| 11.5 | FS_I_OVUV_SAFE_REACTION2 register | 33 | 21 | Maximum ratings | 83 |
| 11.6 | FS_I_FSSM register | 33 | 22 | Electrostatic discharge | 83 |
| 11.7 | FS_I_SVS register | 34 | 22.1 | Human body model (JEDEC22/A114) | 83 |
| 11.8 | FS_OVUVREG_STATUS register | 35 | 22.2 | Charged device model | 83 |
| 11.9 | FS_SAFE_IOs register | 37 | 22.3 | Discharged contact test | 83 |
| 11.10 | FS_DIAG register | 38 | 23 | Operating conditions | 84 |
| 11.11 | FS_INTB_MASK register | 39 | 24 | Thermal characteristics | 84 |
| 11.12 | FS_STATES register | 39 | 25 | Characteristics | 85 |
| 12 | OTP bits configuration | 41 | 26 | Application information | 86 |
| 12.1 | Overview | 41 | 27 | Fail-safe domain description | 86 |
| 12.2 | Main OTP bit description | 42 | 27.1 | Functional description | 86 |
| 12.3 | Fail-safe OTP bit description | 47 | 27.2 | Voltage supervisor | 87 |
| 13 | Best of supply | 52 | 27.2.1 | VCOREMON monitoring | 87 |
| 13.1 | Functional description | 52 | 27.2.2 | Static voltage scaling (SVS) | 88 |
| 13.2 | Best of supply electrical characteristics | 53 | 27.2.3 | VDDIO monitoring | 89 |
| 14 | High voltage buck: VPRE | 53 | 27.2.4 | VMON1 monitoring | 90 |
| 14.1 | Functional description | 53 | 27.3 | Fault management | 92 |

| | | |
|-----------|--|------------|
| 27.3.1 | Fault source and reaction | 92 |
| 27.3.2 | Fault error counter | 92 |
| 27.4 | PGOOD, RSTB | 93 |
| 27.4.1 | PGOOD | 93 |
| 27.4.2 | RSTB | 94 |
| 28 | Package information | 95 |
| 29 | Package outline | 96 |
| 30 | Layout and PCB guidelines | 98 |
| 30.1 | Landing pad information | 98 |
| 30.2 | Component selection | 100 |
| 30.3 | VPRE | 100 |
| 30.4 | VBUCKx | 101 |
| 31 | EMC compliance | 102 |
| 32 | References | 103 |
| 33 | Revision history | 104 |
| 34 | Legal information | 106 |

Please be aware that important notices concerning this document and the product(s) described herein, have been included in section 'Legal information'.

© NXP B.V. 2020.

All rights reserved.

For more information, please visit: <http://www.nxp.com>

For sales office addresses, please send an email to: salesaddresses@nxp.com

Date of release: 27 January 2020

Document identifier: FS5502