

UM10492

PTN3460 eDP to LVDS bridge IC application board

Rev. 1.1 — 16 March 2015

User manual

Document information

Info	Content
Keywords	PTN3460, DisplayPort, eDP, LVDS, bridge, application board
Abstract	This user manual presents demonstration/application board capability of interfacing an (embedded) DisplayPort source to an LVDS panel. The application board (nicknamed 'DPLVDS1') is intended for use as an evaluation and customer demonstration tool, as well as a reference design.



Revision history

Rev	Date	Description
1.1	20150316	Table 3 ; Removed remark for JP10
1	20140903	User manual; initial release

Contact information

For more information, please visit: <http://www.nxp.com>

For sales office addresses, please send an email to: salesaddresses@nxp.com

1. Introduction

This user manual describes the PTN3460 application board with 1080p LCD panel made by AUO (part number M215HW03 V1), including:

- Overall PCB connectors, jumpers, and power supplies
- Equipment/tools that this board interfaces with during bench testing
- System-level connections, such as cables and connectors, into which this board will be plugged

This application board is intended to demonstrate the bridging capabilities of PTN3460 on DP to LVDS conversion. It is also used to evaluate competitor's ICs such as Parade's PS8615, which is pin-to-pin compatible with PTN3460.

A separate document, "*Application test plan*" will be provided to list items to be verified at the system level.

1.1 Purpose

- For internal engineers to evaluate the performance of PTN3460 and to develop firmware, including collecting and verifying system-level features, performance, and functionality, such as:
 - Verify power management schemes
 - Power sequence
 - Power consumption measurement during various operating modes
 - Allow access to test points and jumpers for measurement and configuration purposes
 - Flash over AUX
 - Programming test via I²C-bus
- For marketing to demonstrate DP-LVDS to customers in the field
 - Functional and interoperability test
 - This board should be connected to a DP or an eDP source
 - This board is powered by ATX 20-pin power supply, or
 - External power supplies with +3.3 V (1 A), +5 V (1 A), +12 V (2 A)
 - This board is connected directly to AUO 21-inch LVDS panel, or
 - Connect to NoteBook 14-inch LVDS panel via an AUO-NB adaptor board
- For customers to evaluate PTN3460
 - Use I²C-bus to program EDID

2. General description

2.1 Block diagram

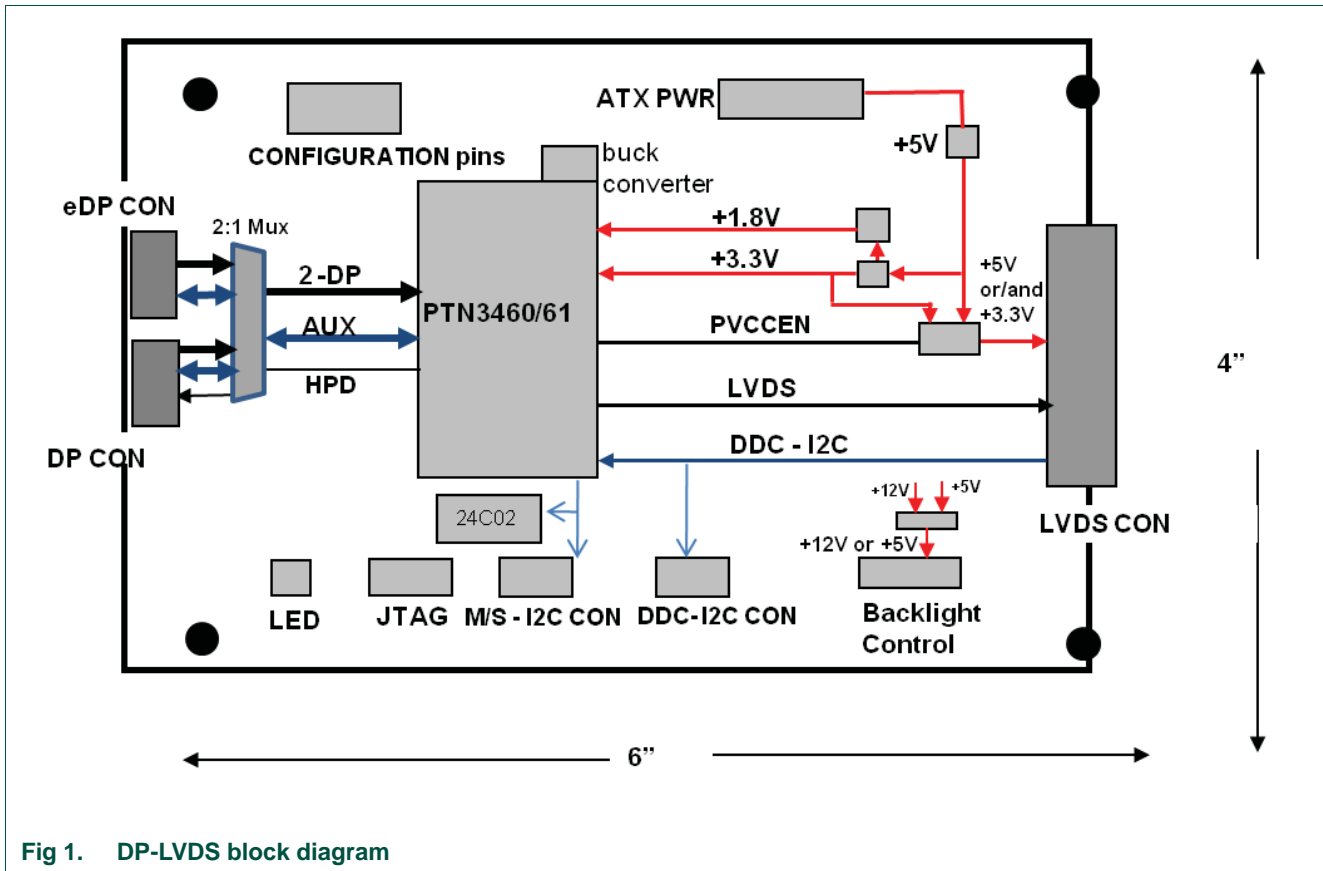


Fig 1. DP-LVDS block diagram

2.2 PCB stack ups



Fig 2. DP-LVDS PCB stack up example

2.3 PTN3460 application board top and bottom assemblies

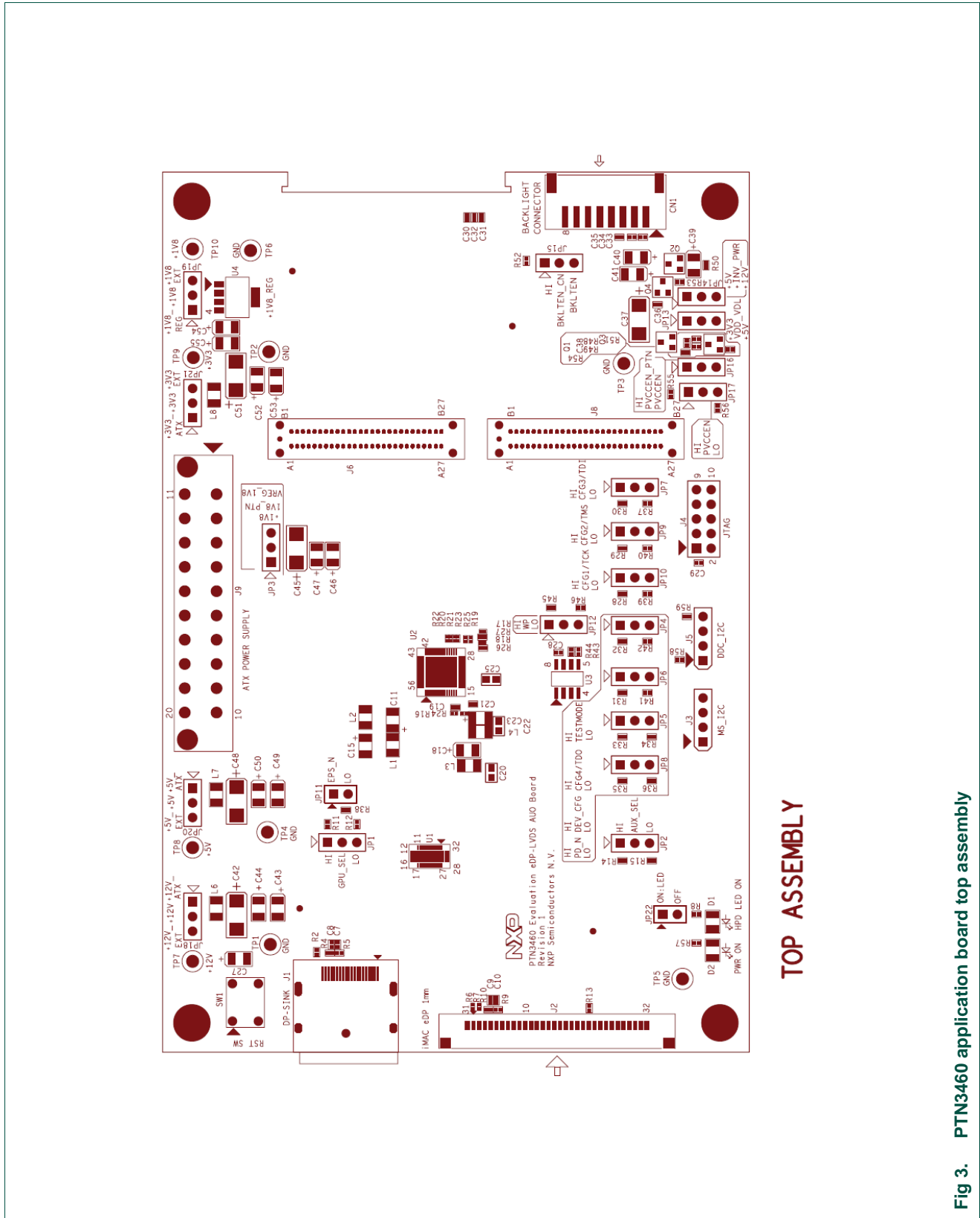
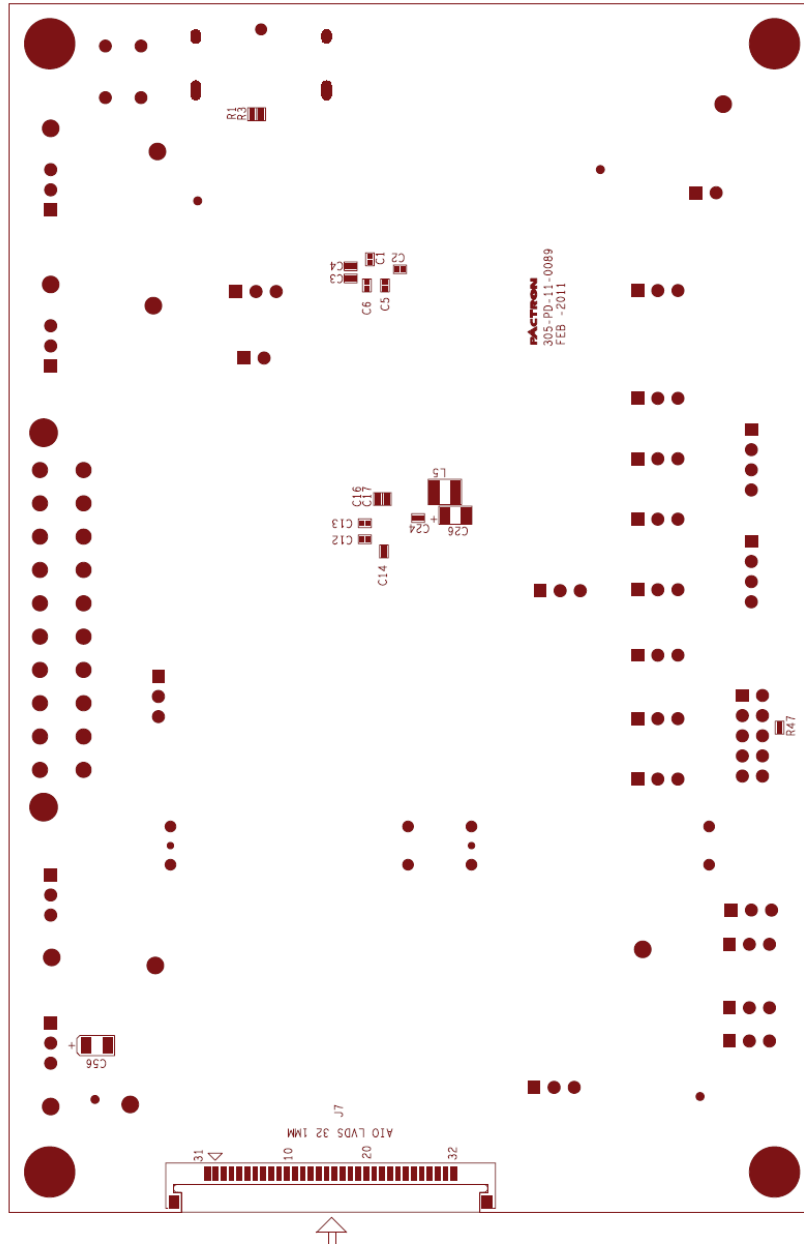


Fig 3. PTN3460 application board top assembly



BOTTOM ASSEMBLY

Fig 4. PTN3460 application board bottom assembly

The PTN3460 AUO application board has the following features:

- Jumpers select multiplex between DP and eDP (iMac) sources
- Stuff options for PTN3460 different pin configurations
- Stuff options for PS8615 test
- Four (4) groups of jumpers for pin configuration
- Other jumpers for test options
- One serial EEPROM to store EDID read/write via I²C-bus
- One I²C-bus header bringing out I²C-bus pins (SCL, SDA, GND) to interface with an I²C Bird (I²C tool device name) dongle to program S-EEPROM or to read iMac System Bus
- One I²C-bus header for DDC control
- One JTAG for firmware download
- One ATX 20-pin power supply with 12 V/5 V/3.3 V DC inputs
- External power supplies: +12 V (2 A), +5 V (1 A), +3.3 V (1 A)
- Fixed regulator provides 1.8 V ± 10 % power supply
- Two soft-touch connectors (not loaded) for Agilent differential probes to capture LVDS signals
- One 30-position, 1 mm connector with cables to connect to AUO 21-inch LVDS panel
- One 1 × 8 connector with cable to connect to backlight inverter

3. Hardware requirements

- iMac 27-inch AIO, eDP source with 30-position eDP cable
- VTG5225-DP, DP source with DP 1.1 cable
- DPA-400, AUX analyzer, via iMac eDP-DP adaptor with two DP 1.1 cables and two 30-position eDP cables
- UFG-04, LVDS grabber, via AUO-grabber adaptor with two MDR-26 twisted cables
- Desktop PC with PCIe slot to install LVDS grabber
- AUO 21-inch LVDS panel with 30-position LVDS cable
- FS2 with 2 × 5 JTAG connection for firmware download
- I²C Bird with 1 × 4 header connection for s-EEPROM read/write

4. Board specifications

- Layers: four layers expected — trace, ground, V_{CC}, trace
- Size: 4 inches × 6 inches
- Material: FR4
- Thickness: 62 mil
- Impedance: 50 Ω single-ended, 100 Ω differential on DP and LVDS signal pairs

5. Connector specifications

5.1 Connectors

Table 1. Connectors

Connector	Type		Supplier	Part number
J1	DP CONN SINK	conn-47272-0001	Molex	47272-0001
J2	FI-X30SSL-HF	conn_FI-X30SSL-HF	JAE	FI-X30SSL-HF
J3, J5	HEADER 4	hdr_4x1	Sullins	PBC04SAAN
J4	HEADER, 2 × 5	hdr_5x2	Sullins	PBC05DAAN
J6, J8	SOFT TOUCH CONN ES387-68701	conn_ES387-68701	Agilent	ES387-68701
J7	FI-XB30SRL-HF11	conn_FI-XB30SRL-HF11	JAE	FI-XB30SRL-HF11
J9	MOLEX ATX PWR PN 39-29-9202	cn_molex_minifit20p_vt	Molex	39-29-9202
CN1	S8B-PH-SM4-TB(LF)(SN)	conn_8x1_2mm	JST Sales	S8B-PH-SM4-TB(LF)(SN)

5.2 Cables

Table 2. Cables

Test cable location	Test cable	Description
J1	DP 1.1 cable	Purchase ready-made cable
J2	iMac 30-position eDP 1 mm cable	Made from LVDS 30-position cable kit
J3, J5	I ² C Bird 1 × 4 cable	Ready-made with I ² C Bird box
J4	JTAG 2 × 5 ribbon cable	Ready-made with FS2 box
J6, J8	Agilent soft-touch probes	90-pin differential probe E5387A (2)
J7	AUO 30-position LVDS 1 mm cable	Made from LVDS 30-position cable kit
J9	Backlight inverter 1 × 8	Made from accessories

5.3 Jumpers

Table 3. Jumpers

Jumper number	Signal names	Jumper settings	Default setting
JP1	U1 MUX GPU_SEL	1-2 HIGH — select DP inputs 2-3 LOW — select eDP inputs	1-2
JP2	U1 MUX AUX_SEL	1-2 HIGH — select AUX from DP inputs 2-3 LOW — select AUX from eDP inputs	1-2
JP3	1V8_PTN	1-2 — 1.8 V from on-board regulator 2-3 — 1.8 V from Buck converter	1-2
JP4	TESTMODE	1-2 HIGH — CFG[4:1] = JTAG pins 2-3 LOW — CFG[4:1] = CONFIG pins	2-3
JP5	DEV_CFG	1-2 HIGH — I ² C-bus master open — I ² C-bus slave (0C0h) 2-3 LOW — I ² C-bus slave (040h)	2-3

Table 3. Jumpers ...continued

Jumper number	Signal names	Jumper settings	Default setting
JP6	CFG4/TDO	1-2 HIGH — LVDS output swing = 400 mV open — LVDS output swing = 300 mV 2-3 LOW — LVDS output swing = 250 mV	1-2
JP7	CFG3/TDI	1-2 HIGH — LVDS clock frequency = 0.5 % open — LVDS clock frequency = 1 % 2-3 LOW — LVDS clock frequency = 0 %	1-2
JP8	PD_N	1-2 HIGH — Operation mode 2-3 LOW — Force power-down	1-2
JP9	CFG2/TMS	1-2 HIGH — JEIDA or VESA format (18 bpp) open — JEIDA format (24 bpp) 2-3 LOW — VESA format (24 bpp)	1-2
JP10	CFG1/TCK	1-2 HIGH — Dual LVDS bus 2-3 LOW — Single LVDS bus	1-2
JP11	EPS_N	ON — Use external 3.3 V/1.8 V option OFF — Use internal 1.8 V LDO	1-2
JP12	WP	1-2 HIGH — WP for S-EEPROM 2-3 LOW — No WP S-EEPROM	2-3
JP13	VDD_VOL	1-2 — select +3V3 for panel 2-3 — select +5V for panel	1-2
JP14	+INV_PWR	1-2 — select +5V for backlight inverter 2-3 — select +12V for backlight inverter	1-2
JP15	BKLTEN_CN	1-2 HIGH — Backlight enable is always ON 2-3 BKLTEN — Control by firmware	1-2
JP16	PVCCEN_PTIN	1-2 HIGH — PVCCEN is always ON 2-3 PVCCEN — Control by firmware	1-2
JP17 (for PS8615 only)	PVCCEN (pin 33 is used as I2C_Addr/GPIO in PS8615)	1-2 HIGH — I2C_ADDR 0xB0h to 0xBFh 2-3 LOW — I2C_ADDR 0x10h to 0x1Fh	not loaded
JP18	+12V	1-2 — select from ATX power supply 2-3 — select from external power supply	2-3
JP19	+1V8	1-2 — select from U4 regulator 2-3 — select from external power supply	1-2
JP20	+5V	1-2 — select from ATX power supply 2-3 — select from external power supply	2-3
JP21	+3V3	1-2 — select from ATX power supply 2-3 — select from external power supply	2-3
JP22	AIOC_HPD	ON — HPD drives Green LED OFF — No LED drive to measure power	1-2

6. Stuffing options

6.1 PTN3460 NXP pinning

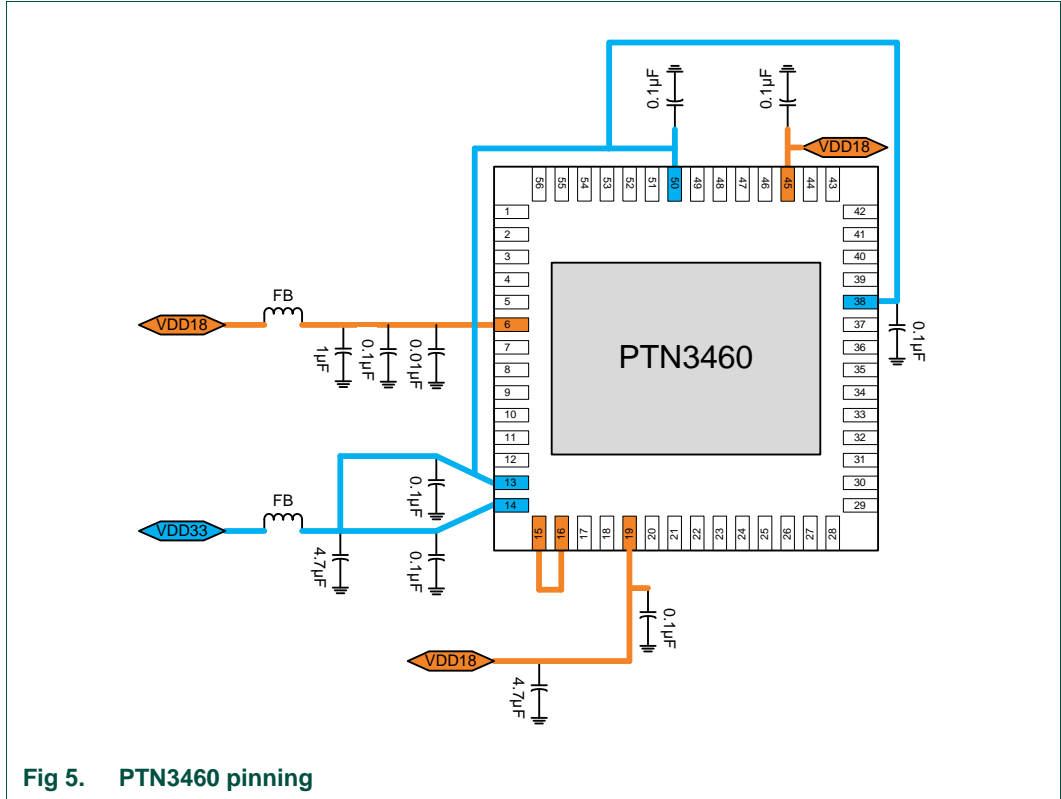


Fig 5. PTN3460 pinning

6.2 Stuffing locations

Table 4. Stuffing locations

Location	Function/value	PTN3460 (default pinning)
R16	Join +3V3_IO with +3V3_LDO	no load
R17	Pin 27 = CFG4/TDO	load
R18	Pin 26 = BKLTEN_PTN	load
R19	Pin 28 - PWMO_PTN	load
R20	Pin 32 = LVSDE_N_PTN	load
R21	Pin 31 = LVSDE_P_PTN	load
R22	Pin 32 = PWMO	no load
R23	Pin 31 = BKLTEN	no load
R24	+3V3_LDO for pin 13, 14	load
R25	Pin 28 = GND	no load
R26	Pin 26 = GND	no load
R27	Pin 27 = GND	no load
C27	1 µF for RST_N line	no load
C22	0.47 µF	no load

Table 4. Stuffing locations ...continued

Location	Function/value	PTN3460 (default pinning)
C23	4.7 μ F	no load
L4	FB	no load
C25	0.47 μ F	no load
C26	4.7 μ F	no load
L5	10 μ H	no load
C15	2.2 μ F	load

7. Abbreviations

Table 5. Abbreviations

Acronym	Description
AUO	Active User Object
DP	DisplayPort
EDID	Extended Display Identification Data
eDP	embedded DisplayPort
EEPROM	Electrically Erasable Programmable Read-Only Memory
I ² C-bus	Inter-Integrated Circuit-bus
IC	Integrated Circuit
JTAG	Joint Test Action Group
LED	Light-Emitting Diode
LDO	Low-DropOut regulator
LVDS	Low-Voltage Differential Signalling
NB	NoteBook
PC	Personal Computer
PCB	Printed-Circuit Board

8. References

- [1] Data Specification, PTN3460_DP_LVDS_Bridge_v1.7.pdf
- [2] Schematic, DP-LVDS-AUO rev1.14 rew.pdf
- [3] BOM, DP-LVDS-AUO rev1.14.xls
- [4] PTN3460 PCB Layout Guideline.pdf
- [5] Allegro layout, PTN3460 Evaluation eDP-LVDS AUO Board_PCB_0089_021811-1.brd
- [6] Test Cables, PTN3460 Test Cables.pdf

9. Legal information

9.1 Definitions

Draft — The document is a draft version only. The content is still under internal review and subject to formal approval, which may result in modifications or additions. NXP Semiconductors does not give any representations or warranties as to the accuracy or completeness of information included herein and shall have no liability for the consequences of use of such information.

9.2 Disclaimers

Limited warranty and liability — Information in this document is believed to be accurate and reliable. However, NXP Semiconductors does not give any representations or warranties, expressed or implied, as to the accuracy or completeness of such information and shall have no liability for the consequences of use of such information. NXP Semiconductors takes no responsibility for the content in this document if provided by an information source outside of NXP Semiconductors.

In no event shall NXP Semiconductors be liable for any indirect, incidental, punitive, special or consequential damages (including - without limitation - lost profits, lost savings, business interruption, costs related to the removal or replacement of any products or rework charges) whether or not such damages are based on tort (including negligence), warranty, breach of contract or any other legal theory.

Notwithstanding any damages that customer might incur for any reason whatsoever, NXP Semiconductors' aggregate and cumulative liability towards customer for the products described herein shall be limited in accordance with the *Terms and conditions of commercial sale* of NXP Semiconductors.

Right to make changes — NXP Semiconductors reserves the right to make changes to information published in this document, including without limitation specifications and product descriptions, at any time and without notice. This document supersedes and replaces all information supplied prior to the publication hereof.

Suitability for use — NXP Semiconductors products are not designed, authorized or warranted to be suitable for use in life support, life-critical or safety-critical systems or equipment, nor in applications where failure or malfunction of an NXP Semiconductors product can reasonably be expected to result in personal injury, death or severe property or environmental damage. NXP Semiconductors and its suppliers accept no liability for inclusion and/or use of NXP Semiconductors products in such equipment or applications and therefore such inclusion and/or use is at the customer's own risk.

Applications — Applications that are described herein for any of these products are for illustrative purposes only. NXP Semiconductors makes no representation or warranty that such applications will be suitable for the specified use without further testing or modification.

Customers are responsible for the design and operation of their applications and products using NXP Semiconductors products, and NXP Semiconductors accepts no liability for any assistance with applications or customer product

design. It is customer's sole responsibility to determine whether the NXP Semiconductors product is suitable and fit for the customer's applications and products planned, as well as for the planned application and use of customer's third party customer(s). Customers should provide appropriate design and operating safeguards to minimize the risks associated with their applications and products.

NXP Semiconductors does not accept any liability related to any default, damage, costs or problem which is based on any weakness or default in the customer's applications or products, or the application or use by customer's third party customer(s). Customer is responsible for doing all necessary testing for the customer's applications and products using NXP Semiconductors products in order to avoid a default of the applications and the products or of the application or use by customer's third party customer(s). NXP does not accept any liability in this respect.

Export control — This document as well as the item(s) described herein may be subject to export control regulations. Export might require a prior authorization from competent authorities.

Evaluation products — This product is provided on an "as is" and "with all faults" basis for evaluation purposes only. NXP Semiconductors, its affiliates and their suppliers expressly disclaim all warranties, whether express, implied or statutory, including but not limited to the implied warranties of non-infringement, merchantability and fitness for a particular purpose. The entire risk as to the quality, or arising out of the use or performance, of this product remains with customer.

In no event shall NXP Semiconductors, its affiliates or their suppliers be liable to customer for any special, indirect, consequential, punitive or incidental damages (including without limitation damages for loss of business, business interruption, loss of use, loss of data or information, and the like) arising out of the use of or inability to use the product, whether or not based on tort (including negligence), strict liability, breach of contract, breach of warranty or any other theory, even if advised of the possibility of such damages.

Notwithstanding any damages that customer might incur for any reason whatsoever (including without limitation, all damages referenced above and all direct or general damages), the entire liability of NXP Semiconductors, its affiliates and their suppliers and customer's exclusive remedy for all of the foregoing shall be limited to actual damages incurred by customer based on reasonable reliance up to the greater of the amount actually paid by customer for the product or five dollars (US\$5.00). The foregoing limitations, exclusions and disclaimers shall apply to the maximum extent permitted by applicable law, even if any remedy fails of its essential purpose.

Translations — A non-English (translated) version of a document is for reference only. The English version shall prevail in case of any discrepancy between the translated and English versions.

9.3 Trademarks

Notice: All referenced brands, product names, service names and trademarks are the property of their respective owners.

10. Contents

1	Introduction	3
1.1	Purpose	3
2	General description	4
2.1	Block diagram	4
2.2	PCB stack ups	5
2.3	PTN3460 application board top and bottom assemblies	6
3	Hardware requirements	8
4	Board specifications	8
5	Connector specifications	9
5.1	Connectors	9
5.2	Cables	9
5.3	Jumpers	9
6	Stuffing options	11
6.1	PTN3460 NXP pinning	11
6.2	Stuffing locations	11
7	Abbreviations	12
8	References	12
9	Legal information	13
9.1	Definitions	13
9.2	Disclaimers	13
9.3	Trademarks	13
10	Contents	14

Please be aware that important notices concerning this document and the product(s) described herein, have been included in section 'Legal information'.

© NXP Semiconductors N.V. 2015.

All rights reserved.

For more information, please visit: <http://www.nxp.com>

For sales office addresses, please send an email to: salesaddresses@nxp.com

Date of release: 16 March 2015

Document identifier: UM10492