

MF1SEP(H)10x1

MIFARE PLUS SE - Secure contactless smart card IC for seamless migration

Rev. 3.1 — 16 March 2017
328631

Product short data sheet
COMPANY PUBLIC

1. General description

MIFARE Plus is the only mainstream smart card family compatible with MIFARE Classic 1K and MIFARE Classic 4K that offers pre-issuance of cards prior to making security upgrades in the infrastructure. After security upgrade to Security Level 3, MIFARE Plus uses Advanced Encryption Standard (AES) for authentication, data integrity, and encryption.

MIFARE Plus SE is the entry-level version of NXP's proven and reliable MIFARE Plus product family. Designed for full functional compatibility with MIFARE Classic 1K, it provides complete support for the MIFARE Classic value blocks.

MIFARE Plus SE is the choice for customers who want to switch to higher security while preparing for the future by introducing cards, ready for AES security, into the existing system environment.

MIFARE Plus SE cards are easy to distribute into running MIFARE Classic systems, since it uses a linear memory structure compatible to MIFARE Classic, and because MIFARE Plus SE supports all MIFARE Classic value-block operations in the Security Levels SL1 and SL3. MIFARE Plus SE stores its 128-bit AES keys on top of the data blocks. The optional AES authentication in SL1 enables efficient detection of cards not belonging to the system.

2. Features and benefits

- Entry level version of the proven MIFARE Plus product family
- Simple fixed memory structure compatible with MIFARE Classic
- AES-128 for authenticity and integrity
- Freely configurable access conditions
- Optional support of random IDs
- Anti-tearing mechanism for writing AES keys
- Virtual card concept
- Number of single write operations: 200000 typical
- 1 kB EEPROM
- Fully supports MIFARE Classic value block operations
- NXP originality check
- Supports ISO/IEC 14443-3 [UIDs](#) (4-Byte NUID, 7-byte UID)
- Multi-sector authentication, Multi-block read and write
- Keys can be stored as MIFARE CRYPTO1 keys (2 x 48-bit per sector) and AES keys (2 x 128-bit per sector)
- Communication speed up to 848 kbit/s
- Data retention time: 10 years



ISO/IEC 14443-x used in this data sheet refers to ISO/IEC 14443 Type A.

3. Applications

- Public transportation
- Access management
- Electronic toll collection
- Car parking
- School and campus cards
- Employee cards
- Loyalty
- Wearables

4. Quick reference data

Table 1. Quick reference data

Symbol	Parameter	Conditions	Min	Typ	Max	Unit
C _i	input capacitance	T _{amb} = 22 °C; f _i = 13.56 MHz; [1] 2.8 V RMS	15.0	17.0	19.04	pF
		T _{amb} = 22 °C; f _i = 13.56 MHz; 2.8 V RMS	-	70.0	-	pF
f _i	input frequency		-	13.56	-	MHz
EEPROM characteristics						
t _{ret}	retention time	T _{amb} = 22 °C	10	-	-	year
N _{endu(W)}	write endurance	T _{amb} = 22 °C; excluding anti-tearing for AES keys or sector trailers in security level 3	100000	200000	-	cycle

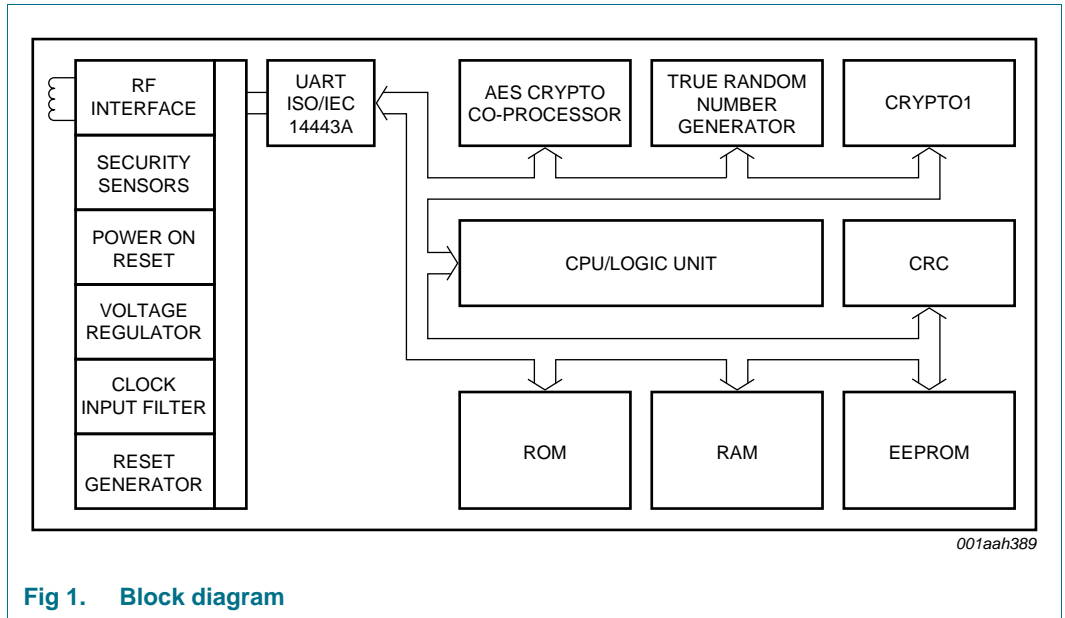
[1] Measured with LCR meter.

5. Ordering information

Table 2. Ordering information

Type number	Package			Version
	Commercial Name	Name	Description	
MF1SEP1001DUD/03	FFC	-	8 inch wafer (sawn; 120 µm thickness, on film frame carrier; electronic fail die marking according to SECS-II format), 1 kB EEPROM, 7-byte UID, 17 pF input capacitance	-
MF1SEP1031DUD/03	FFC	-	8 inch wafer (sawn; 120 µm thickness, on film frame carrier; electronic fail die marking according to SECS-II format), 1 kB EEPROM, 4-byte NUID, 17 pF input capacitance	-
MF1SEP1001DA4/03	MOA4	PLLMC	plastic leadless module carrier package; 35 mm wide tape, 1 kB EEPROM, 7-byte UID, 17 pF input capacitance	SOT500-2
MF1SEP1031DA4/03	MOA4	PLLMC	plastic leadless module carrier package; 35 mm wide tape, 1 kB EEPROM, 4-byte NUID, 17 pF input capacitance	SOT500-2
MF1SEP1001DA8/03	MOA8	PLLMC	plastic leadless module carrier package; 35 mm wide tape, 1 kB EEPROM, 7-byte UID, 17 pF input capacitance	SOT500-4
MF1SEP1031DA8/03	MOA8	PLLMC	plastic leadless module carrier package; 35 mm wide tape, 1 kB EEPROM, 4-byte NUID, 17 pF input capacitance	SOT500-4
MF1SEPH1001DUD/03	FCC	-	8 inch wafer (sawn; 120 µm thickness, on film frame carrier; electronic fail die marking according to SECS-II format), 1 kB EEPROM, 7-byte UID, 70 pF input capacitance	-
MF1SEPH1001DA4/03	MOA4	PLLMC	8 inch wafer (sawn; 120 µm thickness, on film frame carrier; electronic fail die marking according to SECS-II format), 1 kB EEPROM, 7-byte BUID, 70 pF input capacitance	SOT500-2
MF1SEPH1001DA8/03	MOA8	PLLMC	plastic leadless module carrier package; 35 mm wide tape, 1 kB EEPROM, 7-byte UID, 70 pF input capacitance	SOT500-4
MF1SEPH1031DUD/03	FFC	-	plastic leadless module carrier package; 35 mm wide tape, 1 kB EEPROM, 4-byte NUID, 70 pF input capacitance	-
MF1SEPH1031DA4/03	MOA4	PLLMC	plastic leadless module carrier package; 35 mm wide tape, 1 kB EEPROM, 4-byte NUID, 70 pF input capacitance	SOT500-2
MF1SEPH1031DA8/03	MOA8	PLLMC	plastic leadless module carrier package; 35 mm wide tape, 1 kB EEPROM, 4-byte NUID, 70 pF input capacitance	SOT500-4

6. Block diagram



7. Pinning information

7.1 Smart card contactless module

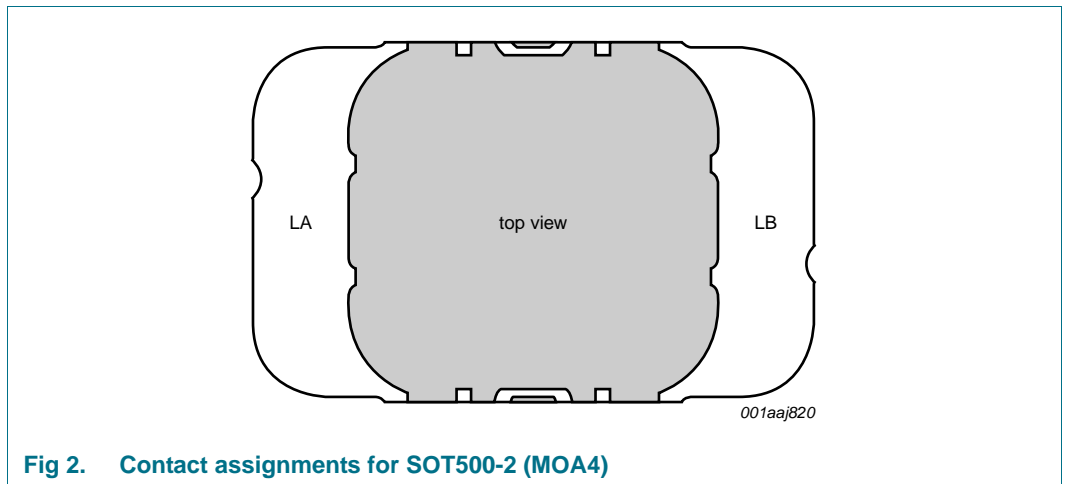


Table 3. Bonding pad assignments to smart card contactless module

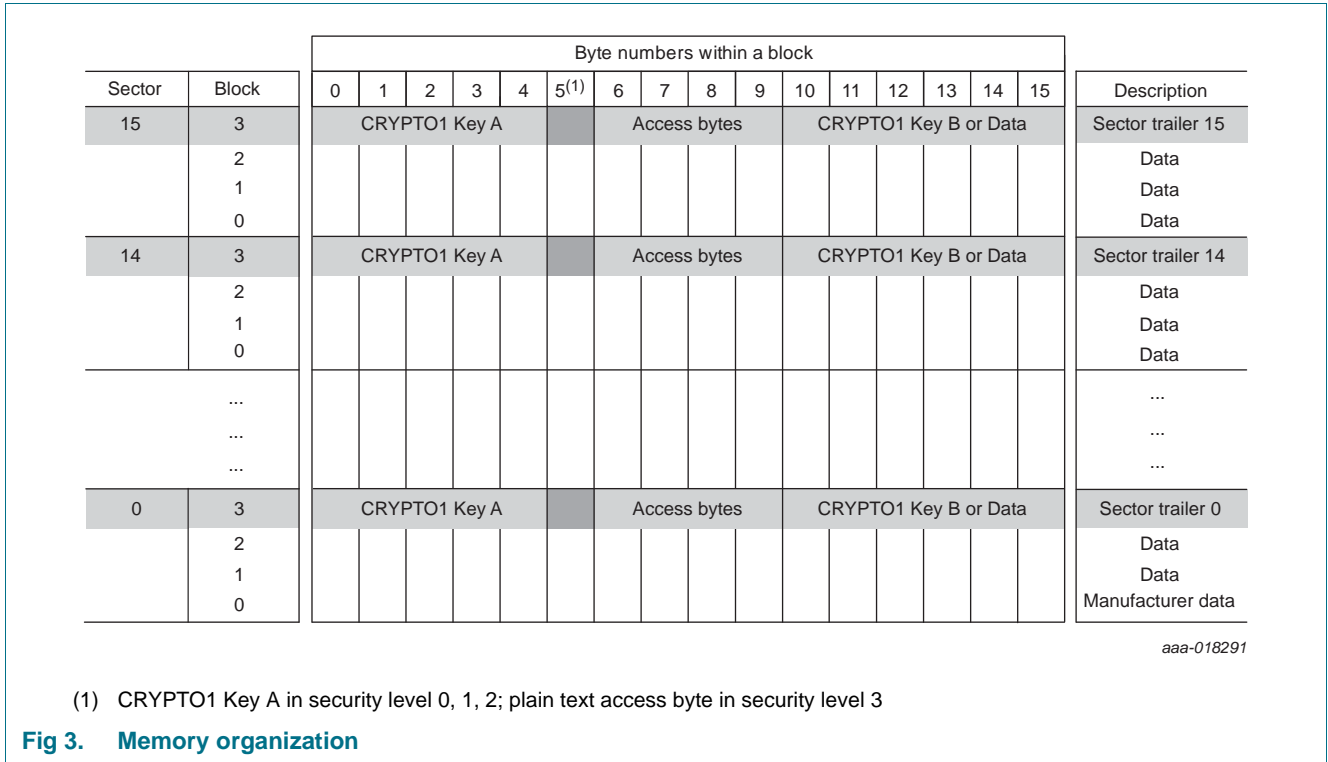
Contactless interface module		MF1SEP(H)10x1DA4/z3
Antenna contacts	Symbol	Description
LA	LA	antenna coil connection LA
LB	LB	antenna coil connection LB

8. Functional description

8.1 Memory organization

The 1 kB EEPROM memory is organized in 16 sectors of 4 blocks

One block consists of 16 bytes.



8.1.1 Manufacturer block

The first data block (block 0) of the first sector (sector 0) contains the PICC manufacturer data. This block is programmed and write protected at production test.

8.1.2 Data blocks

Sectors 0_D to 16_D contain 3 blocks each for data storage. The data blocks can be configured using the access bits as:

- read/write blocks for storing binary data
- value blocks

Value blocks are special counters where the stored value can be manipulated with specific commands such as MF Increment, MF Decrement and MF Transfer.

A successful mutual authentication is required to allow any data operation.

8.1.2.1 Access conditions

The access conditions for every data block and the sector trailer itself are stored in the sector trailer of the corresponding sector.

The access bits control the rights of memory operations using the secret keys A and B. The access conditions may be altered after authentication with the relevant key and the current access condition allows this operation.

Furthermore, value blocks are configured using the access bits.

8.1.3 AES keys

AES keys are not shown in the memory map. The keys are stored on top of the other data and can be updated and used by referencing the so-called Key Number. In security level 3, anti-tearing is supported for the update of AES keys as well as for the update of the sector trailer. This anti-tearing mechanism is done by the PICC itself. The EEPROM stays in a defined status, even if the PICC is removed from the electromagnetic field during the write operation.

8.1.4 Multi-sector authentication

A new feature has been provided in security level 3 for data which is spread over multiple sectors to improve transaction performance.

Providing that such sectors are secured with identical keys (key value and key type) only one authentication is required to read and/or write data from these sectors. There is no need to re-authenticate when accessing any data within these sectors. Therefore it is possible to configure a card in such a way that operating with only one authentication is needed in security level 3 to access all sectors.

8.1.5 Originality function

The originality function is implemented by an AES authentication with the originality key. The authentication is performed in ISO/IEC 14443-4 protocol layer.

8.2 Card activation and communication protocol

The ISO/IEC 14443-3 anticollision mechanism allows for simultaneous handling of multiple PICCs in the field. The anticollision algorithm selects each PICC individually and ensures that execution of a transaction with a selected PICC is performed correctly without data corruption from other PICCs in the field.

There are two different versions of the PICC. The UID is programmed into a locked part of the NV-memory which is reserved for the manufacturer:

- unique 7-byte serial number
- non-unique 4-byte serial number

Due to security and system requirements, these bytes are write-protected after being programmed by the PICC manufacturer at production.

Remark: The programmed 4-byte NUID serial number is not globally unique which has to be considered in the contactless system design. See [Ref. 10](#) for further information regarding handling of UIDs.

The customer must decide which UID length to use when ordering the product, see [Table 2](#) for ordering information.

During personalization, the PICC can be configured to support Random ID in security level 3. The user can configure whether Random ID or fixed UID shall be used. According to ISO/IEC 14443-3 (see [Ref. 4](#)), the first anticollision loop returns the Random Number Tag 08h, the 3-byte Random Number and the BCC, if Random ID is used. The retrieval of the UID in this case can be done using the Virtual Card Support Last command (see [Ref. 2](#)) or by reading out block 0.

8.2.1 Backwards compatibility protocol

The backwards compatibility of this product, as used in security level 1 and security level 2, runs on the same protocol layer as MIFARE Classic 1K. The protocol is formed out of the following components:

- Frame definition: according to ISO/IEC 14443-3
- Bit encoding: according to ISO/IEC 14443-2
- Error code handling: handling is proprietary as error codes are formatted in half bytes.
- Command specification: commands are proprietary. Please use the specification as in [Ref. 1](#) and the additional commands which are only implemented in MIFARE Plus as described in this document and in [Ref. 2](#).

The following security levels can run on this protocol:

- Security Level 0
- Security Level 1

8.2.2 ISO/IEC 14443-4 Protocol

The ISO/IEC 14443-4 Protocol (also known as T=CL) is used in many processor cards. This protocol is used for the MIFARE Plus with the following security levels:

- Security Level 0: all commands
- Security Level 1: only the security level switch and originality function.
- Security Level 3: all commands

8.3 Security level switching

The MIFARE Plus SE offers a unique feature to support migration from CRYPTO1 based systems to AES based operation. The migration on the card-side is done using different security levels supporting different cryptographic algorithms and protocols. There are three security levels:

- Security level 0: initial delivery configuration, used for card personalization
- Security level 1: backwards functional compatibility mode (with MIFARE Classic 1K) with an optional AES authentication
- Security level 3: 3-Pass authentication based on AES, data manipulation commands secured by AES encryption and an AES based MACing method.

The security level switching (i.e. from security level 1 to security level 3) is performed using the dedicated AES authentication switching keys.

The security level can only be switched from a lower level to a higher level, never in the opposite direction.

8.4 Security level 0

Security level 0 is the initial delivery configuration of the PICC. The card can be operated either using the backwards compatibility protocol or the ISO/IEC 14443-4 protocol.

In this level, the card can be personalized including the programming of user data as well as of CRYPTO1 and/or AES keys. In addition, the originality function can be used.

The following mandatory AES keys need to be written using the Write Perso command before the PICC can be switched to security level 1 or security level 3 (for L3 card). Security level switching is performed using the Commit Perso command:

- Card Configuration Key
- Card Master Key
- Level 3 Switch Key

Using the originality function, it is possible to verify that the chip is a genuine NXP Semiconductors MIFARE Plus.

8.5 Security level 1

Security level 1 offers the same functionality as a MIFARE Classic 1K using the backwards compatibility protocol. The MIFARE Classic 1K products is specified in [Ref. 1](#).

Furthermore, an optional AES authentication is available in this level without affecting the MIFARE Classic 1K functionality. The authenticity of the card can be proven using strong cryptographic means with this additional functionality.

The timings may differ from the MIFARE Classic 1K products.

Using the originality function, it is possible to verify that the chip is a genuine NXP Semiconductors MIFARE Plus.

8.6 Security level 3

The operation in security level 3 is solely based on the ISO/IEC 14443-4 protocol layer. The usage of the backwards compatibility protocol is not possible.

In security level 3, a mandatory AES authentication between PICC and reader is conducted, where two keys are generated as a function of the random numbers from the PICC and the reader as well as of the shared key. These two session keys are used to secure the data which is exchanged on the interface between the card and reader. One of the two keys is used to ensure the confidentiality of the command and the response while the other key ensures the integrity of the command and the response.

All commands carry a MAC, such that the PICC will only accept commands from the reader with which it is authenticated. Tampering of operands and messages is detected by checking the MAC. Also all responses contain a MAC, so that the reader on each response knows that neither the command nor the response has been tampered with.

Each response carries a MAC. When the appropriate MAC is received, due to linking of MACs, the reader knows that the command and commands before it was properly executed.

All commands between two consecutive first authenticate commands belong to one transaction and the MACing mechanism assures integrity of the whole transaction.

9. Look-up tables

9.1 Security level 0, 1, 3: ISO/IEC 14443-3

Table 4. ISO/IEC 14443-3

Command	Description
REQA	the REQA and ATQA commands are fully implemented according to ISO/IEC 14443-3.
WUPA	the WAKE-UP command is fully implemented according to ISO/IEC 14443-3.
ANTICOLLISION/SELECT cascade level 1	the ANTICOLLISION and SELECT commands are fully implemented according to ISO/IEC 14443-3. The response is part 1 of the UID.
ANTICOLLISION/SELECT cascade level 2 for 7 byte UID version	the ANTICOLLISION and SELECT commands are fully implemented according to ISO/IEC 14443-3. The response is part 2 of the UID.
HALT	the HALT command is fully implemented according to ISO/IEC 14443-3

9.2 Security level 0, 1, 3: ISO/IEC 14443-4

Table 5. ISO/IEC 14443-4

Command	Description
RATS	the response to the RATS command identifies the PICC type to the PCD.
PPS	the PPS command allows an individual selection of the communication baud rate between PCD and PICC. It is possible for the MF1SEP(H)10x1 to individually set the communication baud rate independently of each other for both directions i.e. MF1SEP(H)10x1 allows a non-symmetrical information interchange speed.
DESELECT	deselection according to ISO/IEC 14443-4

Please find more information on ISO/IEC 14443 in [Ref. 4](#) as well as on the settings of ATQA, SAK and ATS in [Ref. 3](#).

9.3 Security level 0 command overview

Table 6. Security level 0 command overview

Command	Description
Write Perso	pre-personalization of AES keys and all blocks
Commit Perso	switch to security level 1
First Authenticate (part 1)	first authenticate
Following Authenticate (part 1)	following authenticate
Authenticate (part 2)	second authentication step

9.4 Security level 1 command overview

Table 7. Security level 1 command overview

MF1ICS50, MF1ICS70, MF1ICS20 commands	Description
MF Authenticate key A	authentication with key A
MF Authenticate key B	authentication with key B
MF Read	reading data
MF Write	writing data
MF Increment	incrementing a value
MF Decrement	decrementing a value
MF Restore	restoring a value
MF Transfer	transferring a value
Commands using backwards compatibility protocol, see Section 8.2.1	
Following Authenticate (part 1)	following authenticate; protocol used as described in Section 8.2.1
Authenticate (part 2)	second authentication step; protocol used as described in Section 8.2.1

Table 7. Security level 1 command overview ...continued

MF1ICS50, MF1ICS70, MF1ICS20 commands	Description
Command set for security level switch and originality function using ISO/IEC 14443-4 protocol	
First Authenticate (part 1)	first authenticate
Following Authenticate (part 1)	following authenticate
Authenticate (part 2)	second authentication step

9.5 Security level 3 command overview

Table 8. Security level 3 command overview

Command	Description
MIFARE Plus commands	
First Authenticate (part 1)	first authenticate
Following Authenticate (part 1)	following authenticate
Authenticate (part 2)	second authentication step
ResetAuth	reset the authentication step
READ commands	
Read Plain MACed	reading in plain, MAC on response, MAC on command
WRITE commands	
Write MACed	writing encrypted, MAC on response, MAC on command
Write Plain MACed	writing in plain, MAC on response, MAC on command
VALUE operations	
Increment MACed	incrementing a value encrypted, MAC on response, MAC on command
Decrement MACed	decrementing a value encrypted, MAC on response, MAC on command
Transfer MACed	transferring a value, MAC on response, MAC on command
Increment Transfer MACed	combined incrementing and transferring a value encrypted, MAC on response, MAC on command
Decrement Transfer MACed	combined decrementing and transferring a value encrypted, MAC on response, MAC on command
Restore MACed	restoring a value, MAC on response, MAC on command
Virtual card concept	
Virtual Card Support Last	check if the virtual card concept is supported, communicate PCD capabilities and retrieve the UID
Deselect Virtual Card	deselect the virtual card

10. Limiting values

Table 9. Limiting values

In accordance with the Absolute Maximum Rating System (IEC 60134).

Symbol	Parameter	Conditions	Min	Max ^{[1][2]}	Unit
I _I	input current		-	30	mA
P _{tot/pack}	total power dissipation per package		-	200	mW
T _{stg}	storage temperature		-55	125	°C
T _{amb}	ambient temperature		-25	70	°C
V _{ESD}	electrostatic discharge voltage	[3]	2	-	kV
I _{lu}	latch-up current		±100	-	mA

[1] Stresses above one or more of the limiting values may cause permanent damage to the device.

[2] Exposure to limiting values for extended periods may affect device reliability.

[3] MIL Standard 883-C method 3015; Human body model: C = 100 pF, R = 1.5 kΩ.

11. Abbreviations

Table 10. Abbreviations and symbols

Acronym	Description
AES	Advanced Encryption Standard
EEPROM	Electrically Erasable Programmable Read-Only Memory
LCR	L = inductance, Capacitance, Resistance (LCR meter)
MAC	Message Authentication Code
NUID	Non-Unique Identifier
NV	Non-Volatile memory
PCD	Proximity Coupling Device (Contactless Reader)
PICC	Proximity Integrated Circuit Card (Contactless Card)
PPS	Protocol Parameter Selection
RATS	Request Answer To Select
REQA	REQuest Answer
SAK	Select Acknowledge, type A
SECS-II	SEMI Equipment Communications Standard part 2
UID	Unique Identifier
VC	Virtual Card, one MIFARE Plus PICC is one virtual card
WUPA	Wake-Up Protocol type A

12. References

- [1] **Data sheet** — MIFARE Classic EV1 1K - Mainstream contactless smart card IC for fast and easy solution development, BL-ID Doc. No. 2792**1.
- [2] **Data sheet** — M1PLUSx0y1 MIFARE Plus functional specification, BU-ID Doc. No. 1637**.
- [3] **Application note** — MIFARE Type identification procedure, BU-ID Doc. No. 1843**.
- [4] **Application note** — ISO 14443 PICC selection, BU-ID Doc. No. 1308**.
- [5] **NIST Special Publication 800-38A** — Recommendation for block cipher modes of operation: methods and techniques, 2001.
- [6] **NIST Special Publication 800-38B** — Recommendation for block cipher modes of operation: The CMAC mode for authentication.
- [7] **ISO/IEC Standard** — ISO/IEC 14443 Identification cards - contactless integrated circuit cards - proximity cards.
- [8] **FIPS PUB 197 ADVANCED ENCRYPTION STANDARD** — Recommendation for block cipher modes of operation: Methods and techniques.
- [9] **ISO/IEC Standard** — ISO/IEC 9797-1 Information technology - security techniques - Message Authentication Codes (MACs) - Part 1: Mechanisms using a block cipher.
- [10] **MIFARE and handling of UIDs** — Application note, BU-ID Document number 1907**1

13. Revision history

Table 11. Revision history

Document ID	Release date	Data sheet status	Change notice	Supersedes
MF1SEP_H_10x1_SDS	20170316	Product short data sheet	-	MF1SEP10x1_SDS
Modifications:	<ul style="list-style-type: none"> • Product name title changed into MF1SEP(H)10x1 • Table 2 "Ordering information": updated 			
MF1SEP10x1_SDS	20150427	Product short data sheet	-	-

1. ** ... document version number

14. Legal information

14.1 Data sheet status

Document status ^{[1][2]}	Product status ^[3]	Definition
Objective [short] data sheet	Development	This document contains data from the objective specification for product development.
Preliminary [short] data sheet	Qualification	This document contains data from the preliminary specification.
Product [short] data sheet	Production	This document contains the product specification.

- [1] Please consult the most recently issued document before initiating or completing a design.
- [2] The term 'short data sheet' is explained in section "Definitions".
- [3] The product status of device(s) described in this document may have changed since this document was published and may differ in case of multiple devices. The latest product status information is available on the Internet at URL <http://www.nxp.com>.

14.2 Definitions

Draft — The document is a draft version only. The content is still under internal review and subject to formal approval, which may result in modifications or additions. NXP Semiconductors does not give any representations or warranties as to the accuracy or completeness of information included herein and shall have no liability for the consequences of use of such information.

Short data sheet — A short data sheet is an extract from a full data sheet with the same product type number(s) and title. A short data sheet is intended for quick reference only and should not be relied upon to contain detailed and full information. For detailed and full information see the relevant full data sheet, which is available on request via the local NXP Semiconductors sales office. In case of any inconsistency or conflict with the short data sheet, the full data sheet shall prevail.

Product specification — The information and data provided in a Product data sheet shall define the specification of the product as agreed between NXP Semiconductors and its customer, unless NXP Semiconductors and customer have explicitly agreed otherwise in writing. In no event however, shall an agreement be valid in which the NXP Semiconductors product is deemed to offer functions and qualities beyond those described in the Product data sheet.

14.3 Disclaimers

Limited warranty and liability — Information in this document is believed to be accurate and reliable. However, NXP Semiconductors does not give any representations or warranties, expressed or implied, as to the accuracy or completeness of such information and shall have no liability for the consequences of use of such information. NXP Semiconductors takes no responsibility for the content in this document if provided by an information source outside of NXP Semiconductors.

In no event shall NXP Semiconductors be liable for any indirect, incidental, punitive, special or consequential damages (including - without limitation - lost profits, lost savings, business interruption, costs related to the removal or replacement of any products or rework charges) whether or not such damages are based on tort (including negligence), warranty, breach of contract or any other legal theory.

Notwithstanding any damages that customer might incur for any reason whatsoever, NXP Semiconductors' aggregate and cumulative liability towards customer for the products described herein shall be limited in accordance with the *Terms and conditions of commercial sale* of NXP Semiconductors.

Right to make changes — NXP Semiconductors reserves the right to make changes to information published in this document, including without limitation specifications and product descriptions, at any time and without notice. This document supersedes and replaces all information supplied prior to the publication hereof.

Suitability for use — NXP Semiconductors products are not designed, authorized or warranted to be suitable for use in life support, life-critical or safety-critical systems or equipment, nor in applications where failure or malfunction of an NXP Semiconductors product can reasonably be expected to result in personal injury, death or severe property or environmental damage. NXP Semiconductors and its suppliers accept no liability for inclusion and/or use of NXP Semiconductors products in such equipment or applications and therefore such inclusion and/or use is at the customer's own risk.

Applications — Applications that are described herein for any of these products are for illustrative purposes only. NXP Semiconductors makes no representation or warranty that such applications will be suitable for the specified use without further testing or modification.

Customers are responsible for the design and operation of their applications and products using NXP Semiconductors products, and NXP Semiconductors accepts no liability for any assistance with applications or customer product design. It is customer's sole responsibility to determine whether the NXP Semiconductors product is suitable and fit for the customer's applications and products planned, as well as for the planned application and use of customer's third party customer(s). Customers should provide appropriate design and operating safeguards to minimize the risks associated with their applications and products.

NXP Semiconductors does not accept any liability related to any default, damage, costs or problem which is based on any weakness or default in the customer's applications or products, or the application or use by customer's third party customer(s). Customer is responsible for doing all necessary testing for the customer's applications and products using NXP Semiconductors products in order to avoid a default of the applications and the products or of the application or use by customer's third party customer(s). NXP does not accept any liability in this respect.

Limiting values — Stress above one or more limiting values (as defined in the Absolute Maximum Ratings System of IEC 60134) will cause permanent damage to the device. Limiting values are stress ratings only and (proper) operation of the device at these or any other conditions above those given in the Recommended operating conditions section (if present) or the Characteristics sections of this document is not warranted. Constant or repeated exposure to limiting values will permanently and irreversibly affect the quality and reliability of the device.

Terms and conditions of commercial sale — NXP Semiconductors products are sold subject to the general terms and conditions of commercial sale, as published at <http://www.nxp.com/profile/terms>, unless otherwise agreed in a valid written individual agreement. In case an individual agreement is concluded only the terms and conditions of the respective agreement shall apply. NXP Semiconductors hereby expressly objects to applying the customer's general terms and conditions with regard to the purchase of NXP Semiconductors products by customer.

No offer to sell or license — Nothing in this document may be interpreted or construed as an offer to sell products that is open for acceptance or the grant, conveyance or implication of any license under any copyrights, patents or other industrial or intellectual property rights.

Export control — This document as well as the item(s) described herein may be subject to export control regulations. Export might require a prior authorization from competent authorities.

Quick reference data — The Quick reference data is an extract of the product data given in the Limiting values and Characteristics sections of this document, and as such is not complete, exhaustive or legally binding.

Non-automotive qualified products — Unless this data sheet expressly states that this specific NXP Semiconductors product is automotive qualified, the product is not suitable for automotive use. It is neither qualified nor tested in accordance with automotive testing or application requirements. NXP Semiconductors accepts no liability for inclusion and/or use of non-automotive qualified products in automotive equipment or applications.

In the event that customer uses the product for design-in and use in automotive applications to automotive specifications and standards, customer (a) shall use the product without NXP Semiconductors' warranty of the product for such automotive applications, use and specifications, and (b) whenever customer uses the product for automotive applications beyond NXP Semiconductors' specifications such use shall be solely at customer's own risk, and (c) customer fully indemnifies NXP Semiconductors for any liability, damages or failed product claims resulting from customer design and use of the product for automotive applications beyond NXP Semiconductors' standard warranty and NXP Semiconductors' product specifications.

Translations — A non-English (translated) version of a document is for reference only. The English version shall prevail in case of any discrepancy between the translated and English versions.

14.4 Licenses

ICs with DPA Countermeasures functionality



NXP ICs containing functionality implementing countermeasures to Differential Power Analysis and Simple Power Analysis are produced and sold under applicable license from Cryptography Research, Inc.

14.5 Trademarks

Notice: All referenced brands, product names, service names and trademarks are the property of their respective owners.

MIFARE — is a trademark of NXP Semiconductors N.V.

MIFARE Plus — is a trademark of NXP Semiconductors N.V.

15. Contact information

For more information, please visit: <http://www.nxp.com>

For sales office addresses, please send an email to: salesaddresses@nxp.com

16. Tables

Table 1. Quick reference data	2	Table 6. Security level 0 command overview	10
Table 2. Ordering information	3	Table 7. Security level 1 command overview	10
Table 3. Bonding pad assignments to smart card contactless module	4	Table 8. Security level 3 command overview	11
Table 4. ISO/IEC 14443-3	9	Table 9. Limiting values	12
Table 5. ISO/IEC 14443-4	10	Table 10. Abbreviations and symbols	12
		Table 11. Revision history	13

17. Figures

Fig 1. Block diagram	4
Fig 2. Contact assignments for SOT500-2 (MOA4)	4
Fig 3. Memory organization	5

18. Contents

1	General description	1
2	Features and benefits	1
3	Applications	2
4	Quick reference data	2
5	Ordering information	3
6	Block diagram	4
7	Pinning information	4
7.1	Smart card contactless module	4
8	Functional description	5
8.1	Memory organization	5
8.1.1	Manufacturer block	5
8.1.2	Data blocks	5
8.1.2.1	Access conditions	5
8.1.3	AES keys	6
8.1.4	Multi-sector authentication	6
8.1.5	Originality function	6
8.2	Card activation and communication protocol ..	6
8.2.1	Backwards compatibility protocol	7
8.2.2	ISO/IEC 14443-4 Protocol	7
8.3	Security level switching	8
8.4	Security level 0	8
8.5	Security level 1	8
8.6	Security level 3	9
9	Look-up tables	9
9.1	Security level 0, 1, 3: ISO/IEC 14443-3	9
9.2	Security level 0, 1, 3: ISO/IEC 14443-4	10
9.3	Security level 0 command overview	10
9.4	Security level 1 command overview	10
9.5	Security level 3 command overview	11
10	Limiting values	12
11	Abbreviations	12
12	References	13
13	Revision history	13
14	Legal information	14
14.1	Data sheet status	14
14.2	Definitions	14
14.3	Disclaimers	14
14.4	Licenses	15
14.5	Trademarks	15
15	Contact information	15
16	Tables	16
17	Figures	16
18	Contents	17

Please be aware that important notices concerning this document and the product(s) described herein, have been included in section 'Legal information'.

© NXP Semiconductors N.V. 2017.

All rights reserved.

For more information, please visit: <http://www.nxp.com>

For sales office addresses, please send an email to: salesaddresses@nxp.com

Date of release: 16 March 2017
328631