

# DATA SHEET

## **TDA7052A/AT**

**1 W BTL mono audio amplifier with  
DC volume control**

Product specification  
Supersedes data of August 1991

July 1994



# 1 W BTL mono audio amplifier with DC volume control

## TDA7052A/AT

### FEATURES

- DC volume control
- Few external components
- Mute mode
- Thermal protection
- Short-circuit proof
- No switch-on and off clicks
- Good overall stability
- Low power consumption
- Low HF radiation
- ESD protected on all pins

### GENERAL DESCRIPTION

The TDA7052A/AT are mono BTL output amplifiers with DC volume control. They are designed for use in TV and monitors, but also suitable for battery-fed portable recorders and radios.

### Missing Current Limiter (MCL)

A MCL protection circuit is built-in. The MCL circuit is activated when the difference in current between the output terminal of each amplifier exceeds 100 mA (typical 300 mA). This level of 100 mA allows for headphone applications (single-ended).

### QUICK REFERENCE DATA

SYMBOL	PARAMETERS	CONDITIONS	MIN.	TYP.	MAX.	UNIT
$V_P$	positive supply voltage range		4.5	–	18	V
$P_O$	output power					
	TDA7052A	$R_L = 8 \Omega$ ; $V_P = 6 V$	1.0	1.1	–	W
	TDA7052AT	$R_L = 16 \Omega$ ; $V_P = 6 V$	0.5	0.55	–	W
$G_v$	maximum total voltage gain		34.5	35.5	36.5	dB
$\phi$	gain control range		75	80	–	dB
$I_P$	total quiescent current	$V_P = 6 V$ ; $R_L = \infty$	–	7	12	mA
THD	total harmonic distortion					
	TDA7052A	$P_O = 0.5 W$	–	0.3	1	%
	TDA7052AT	$P_O = 0.25 W$	–	0.3	1	%

### ORDERING INFORMATION

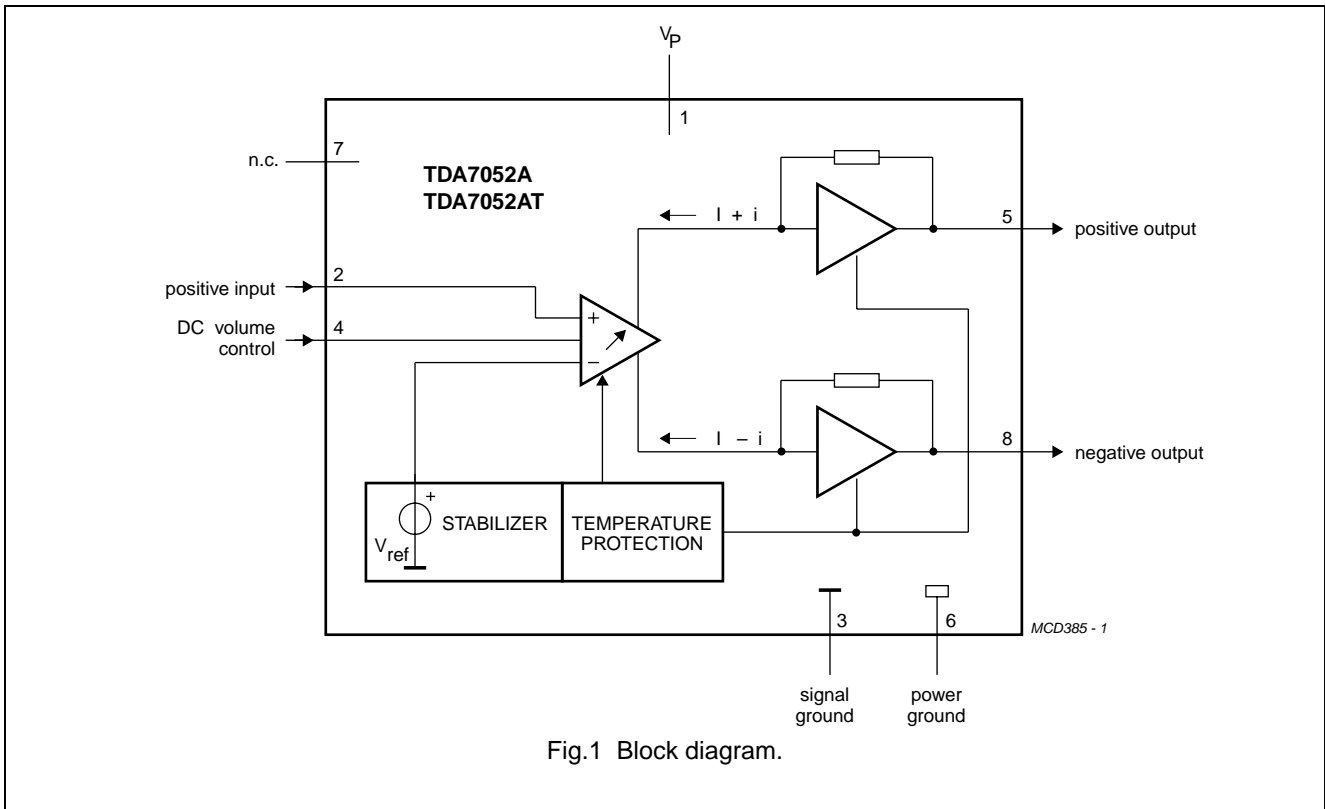
EXTENDED TYPE NUMBER	PACKAGE			
	PINS	PIN POSITION	MATERIAL	CODE
TDA7052A	8	DIL	plastic	SOT97 <sup>(1)</sup>
TDA7052AT	8	mini-pack	plastic	SOT96A <sup>(2)</sup>

### Notes

1. SOT97-1.
2. SOT96-1.

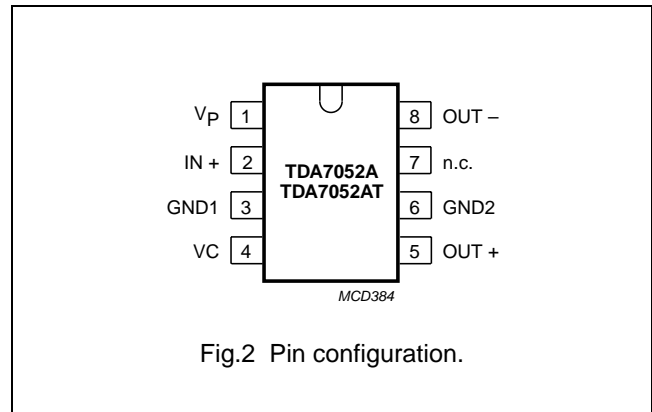
1 W BTL mono audio amplifier with DC volume control

TDA7052A/AT



PINNING

SYMBOL	PIN	DESCRIPTION
V <sub>P</sub>	1	positive supply voltage
IN+	2	positive input
GND1	3	signal ground
VC	4	DC volume control
OUT+	5	positive output
GND2	6	power ground
n.c	7	not connected
OUT-	8	negative output



# 1 W BTL mono audio amplifier with DC volume control

## TDA7052A/AT

### FUNCTIONAL DESCRIPTION

The TDA7052A/AT are mono BTL output amplifiers with DC volume control, designed for use in TV and monitors but also suitable for battery fed portable recorders and radios.

In conventional DC volume circuits the control or input stage is AC coupled to the output stage via external capacitors to keep the offset voltage low.

In the TDA7052A/AT the DC volume control stage is integrated into the input stage so that no coupling capacitors are required and yet a low offset voltage is maintained. At the same time the minimum supply remains low.

The BTL principle offers the following advantages:

- Lower peak value of the supply current
- The frequency of the ripple on the supply voltage is twice the signal frequency.

Thus a reduced power supply with smaller capacitors can be used which results in cost savings.

For portable applications there is a trend to decrease the supply voltage, resulting in a reduction of output power at conventional output stages. Using the BTL principle increases the output power.

The maximum gain of the amplifier is fixed at 35.5 dB. The DC volume control stage has a logarithmic control characteristic.

The total gain can be controlled from 35.5 dB to -44 dB. If the DC volume control voltage is below 0.3 V, the device switches to the mute mode.

The amplifier is short-circuit proof to ground,  $V_P$  and across the load. Also a thermal protection circuit is implemented. If the crystal temperature rises above +150 °C the gain will be reduced, so the output power is reduced.

Special attention is given to switch on and off clicks, low HF radiation and a good overall stability.

### LIMITING VALUES

In accordance with the Absolute Maximum System (IEC 134)

SYMBOL	PARAMETER	CONDITIONS	MIN.	MAX.	UNIT
$V_P$	supply voltage range		-	18	V
$I_{ORM}$	repetitive peak output current		-	1.25	A
$I_{OSM}$	non-repetitive peak output current		-	1.5	A
$P_{tot}$	total power dissipation	$T_{amb} \leq 25^\circ\text{C}$	-	1.25	W
	TDA7052A TDA7052AT		-	0.8	W
$T_{amb}$	operating ambient temperature range		-40	+85	°C
$T_{stg}$	storage temperature range		-55	+150	°C
$T_{vj}$	virtual junction temperature		-	+150	°C
$T_{sc}$	short-circuit time		-	1	hr
$V_2$	input voltage pin 2		-	8	V
$V_4$	input voltage pin 4		-	8	V

---

**1 W BTL mono audio amplifier with DC  
volume control**


---

TDA7052A/AT

**THERMAL RESISTANCE**

SYMBOL	PARAMETER	THERMAL RESISTANCE
$R_{th\ j-a}$	from junction to ambient in free air	
	TDA7052A	100 K/W
	TDA7052AT	155 K/W

**Notes to the thermal resistance**

TDA7052A:  $V_P = 6\text{ V}$ ;  $R_L = 8\ \Omega$ . The maximum sine-wave dissipation is 0.9 W.  
Therefore  $T_{amb(max)} = 150 - 100 \times 0.9 = 60\text{ }^\circ\text{C}$ .

TDA7052AT:  $V_P = 6\text{ V}$ ;  $R_L = 16\ \Omega$ . The maximum sine-wave dissipation is 0.46 W.  
Therefore  $T_{amb(max)} = 150 - 155 \times 0.46 = 78\text{ }^\circ\text{C}$ .

# 1 W BTL mono audio amplifier with DC volume control

TDA7052A/AT

## CHARACTERISTICS

$V_P = 6\text{ V}$ ;  $T_{amb} = 25\text{ °C}$ ;  $f = 1\text{ kHz}$ ; TDA7052A:  $R_L = 8\text{ }\Omega$ ; TDA7052AT:  $R_L = 16\text{ }\Omega$ ; unless otherwise specified (see Fig.6).

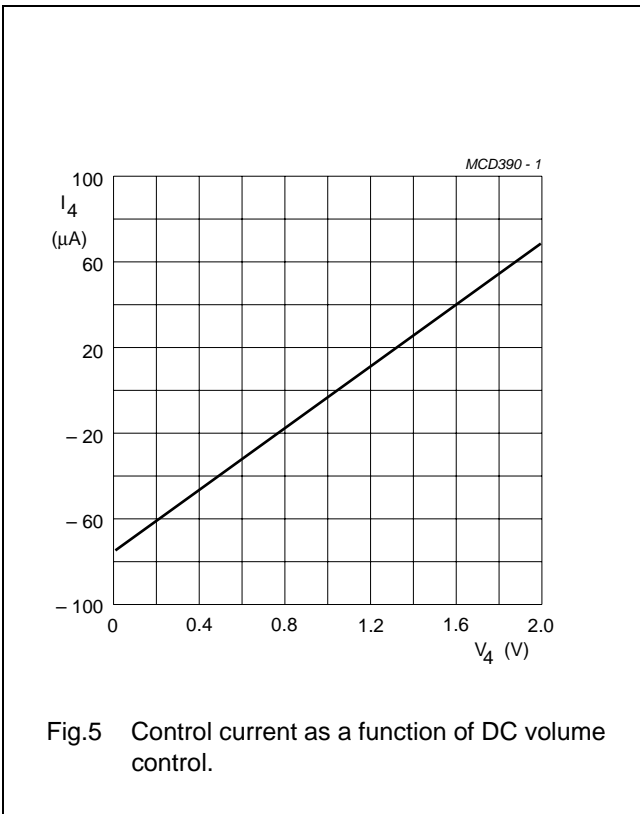
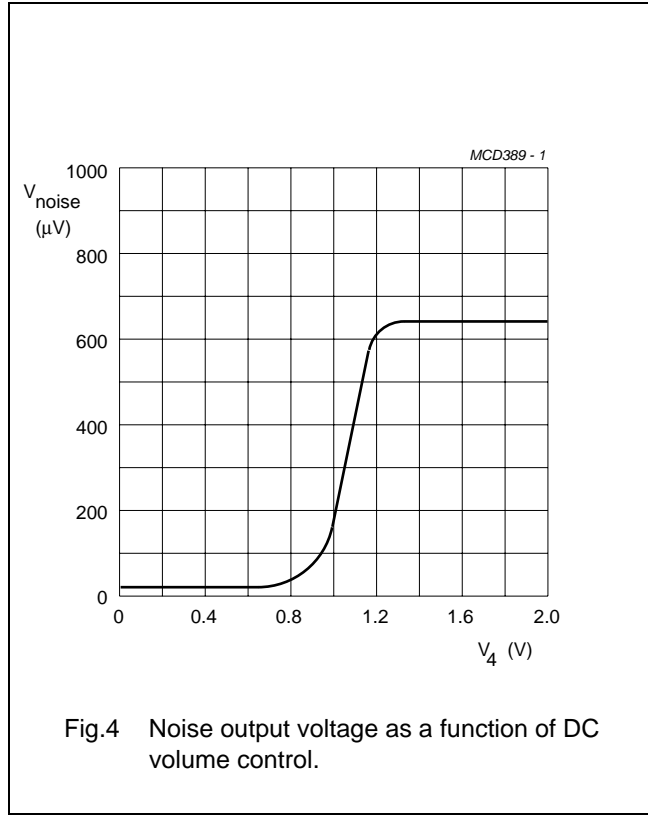
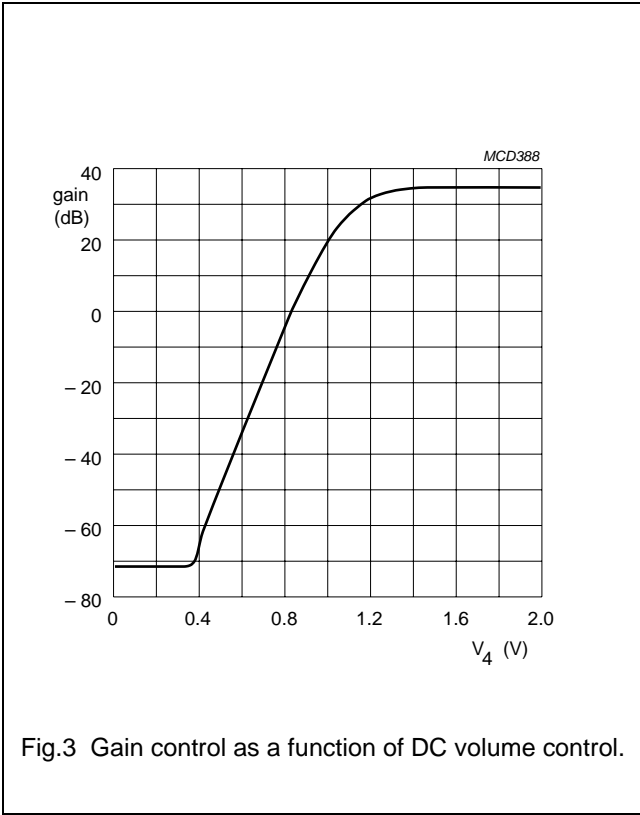
SYMBOL	PARAMETER	CONDITIONS	MIN.	TYP.	MAX.	UNIT
$V_P$	positive supply voltage range		4.5	–	18	V
$I_P$	total quiescent current	$V_P = 6\text{ V}$ ; $R_L = \infty$ note 1	–	7	12	mA
<b>Maximum gain; <math>V_4 = 1.4\text{ V}</math></b>						
$P_O$	output power TDA7052A TDA7052AT	THD = 10%	1.0	1.1	–	W
			0.5	0.55	–	W
THD	total harmonic distortion TDA7052A TDA7052AT	$P_O = 0.5\text{ W}$	–	0.3	1	%
		$P_O = 0.25\text{ W}$	–	0.3	1	%
$G_V$	voltage gain		34.5	35.5	36.5	dB
$V_I$	input signal handling	$V_4 = 0.8\text{ V}$ ; THD < 1%	0.5	0.65	–	V
$V_{no(rms)}$	noise output voltage (RMS value)	$f = 500\text{ kHz}$ ; note 2	–	210	–	$\mu\text{V}$
B	bandwidth	–1 dB	–	20 Hz to 300 kHz	–	
SVRR	supply voltage ripple rejection	note 3	38	46	–	dB
$ V_{off} $	DC output offset voltage		–	0	150	mV
$Z_I$	input impedance (pin 2)		15	20	25	k $\Omega$
<b>Minimum gain; <math>V_4 = 0.5\text{ V}</math></b>						
$G_V$	voltage gain		–	–44	–	dB
$V_{no(rms)}$	noise output voltage (RMS value)	note 4	–	20	30	$\mu\text{V}$
<b>Mute position</b>						
$V_O$	output voltage in mute position	$V_4 \leq 0.3\text{ V}$ ; $V_I = 600\text{ mV}$	–	–	30	$\mu\text{V}$
<b>DC volume control</b>						
$\phi$	gain control range		75	80	–	dB
$I_4$	control current	$V_4 = 0.4\text{ V}$	60	70	80	$\mu\text{A}$

### Notes to the characteristics

1. With a load connected to the outputs the quiescent current will increase, the maximum value of this increase being equal to the DC output offset voltage dividend by  $R_L$ .
2. The noise output voltage (RMS value) at  $f = 500\text{ kHz}$  is measured with  $R_S = 0\text{ }\Omega$  and bandwidth = 5 kHz.
3. The ripple rejection is measured with  $R_S = 0\text{ }\Omega$  and  $f = 100\text{ Hz}$  to 10 kHz. The ripple voltage of 200 mV, (RMS value) is applied to the positive supply rail.
4. The noise output voltage (RMS value) is measured with  $R_S = 5\text{ k}\Omega$  unweighted.

# 1 W BTL mono audio amplifier with DC volume control

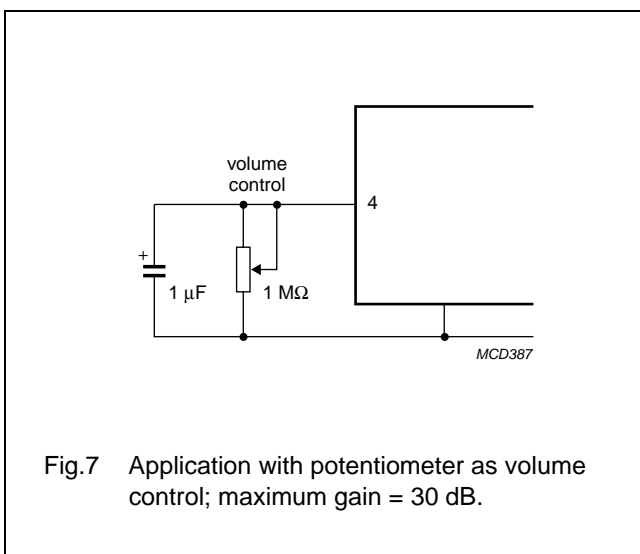
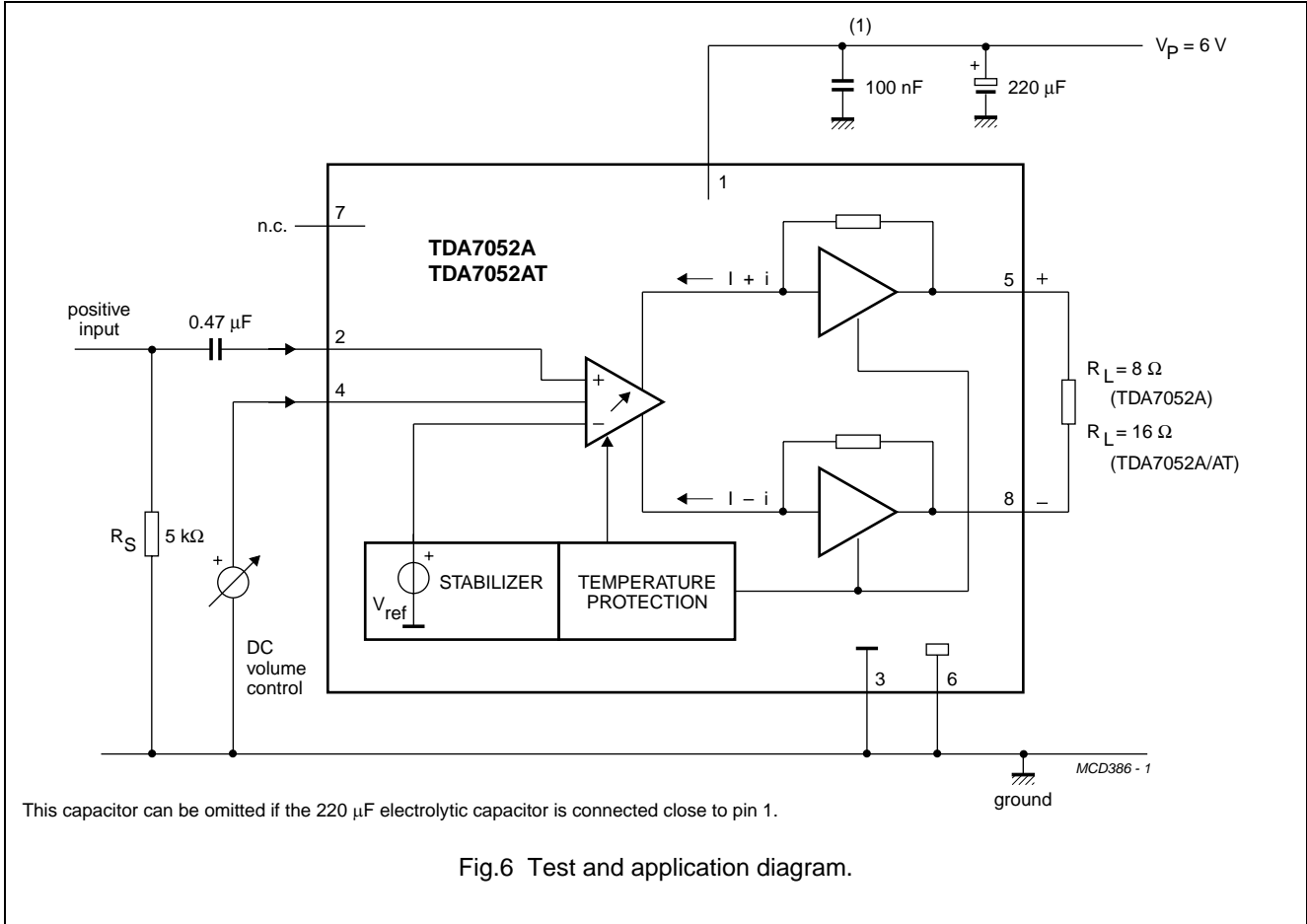
## TDA7052A/AT



# 1 W BTL mono audio amplifier with DC volume control

## TDA7052A/AT

### APPLICATION INFORMATION





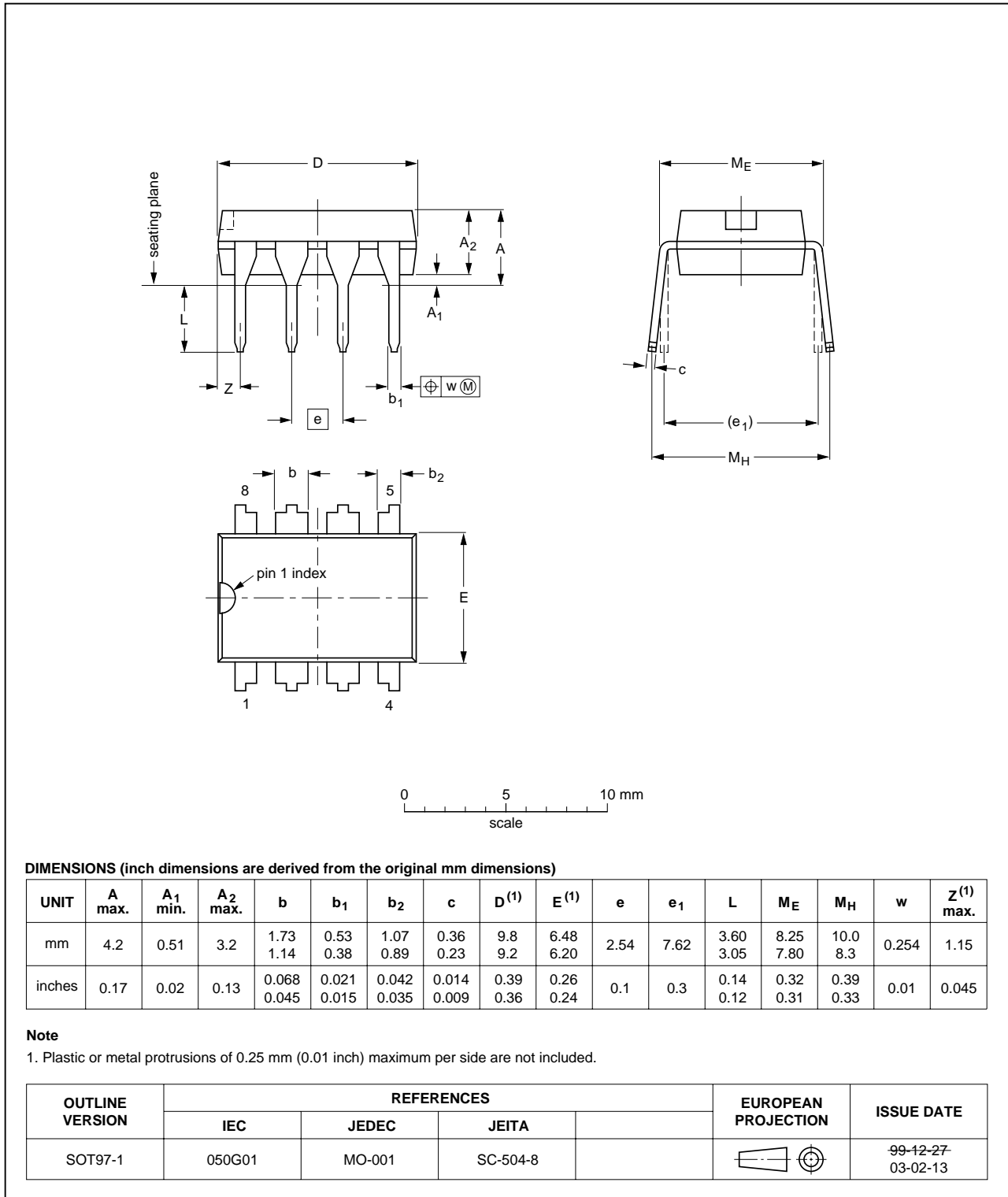
# 1 W BTL mono audio amplifier with DC volume control

TDA7052A/AT

## PACKAGE OUTLINES

DIP8: plastic dual in-line package; 8 leads (300 mil)

SOT97-1

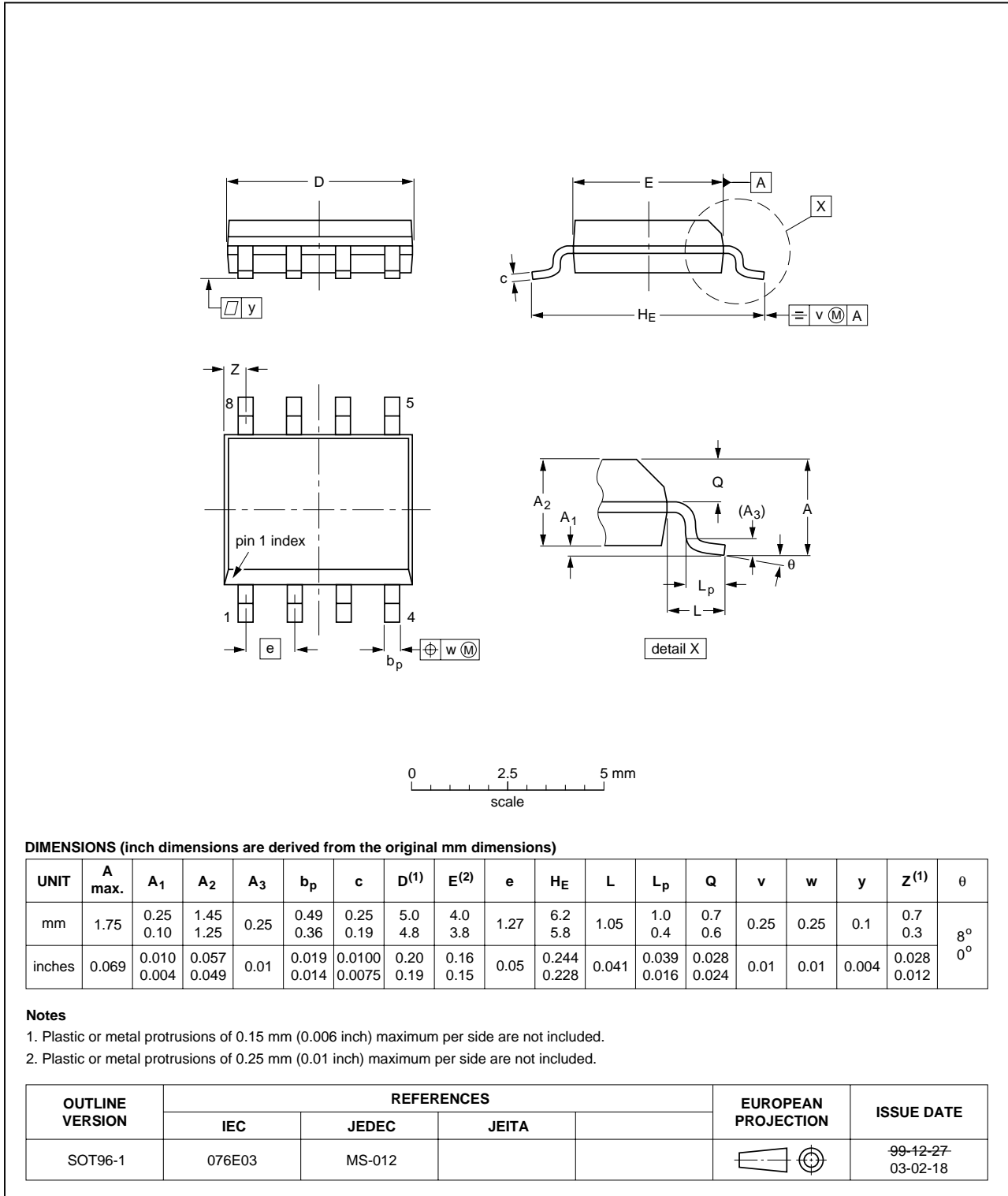


1 W BTL mono audio amplifier with DC volume control

TDA7052A/AT

SO8: plastic small outline package; 8 leads; body width 3.9 mm

SOT96-1



# 1 W BTL mono audio amplifier with DC volume control

TDA7052A/AT

## SOLDERING

### Introduction

There is no soldering method that is ideal for all IC packages. Wave soldering is often preferred when through-hole and surface mounted components are mixed on one printed-circuit board. However, wave soldering is not always suitable for surface mounted ICs, or for printed-circuits with high population densities. In these situations reflow soldering is often used.

This text gives a very brief insight to a complex technology. A more in-depth account of soldering ICs can be found in our "IC Package Databook" (order code 9398 652 90011).

### DIP

#### SOLDERING BY DIPPING OR BY WAVE

The maximum permissible temperature of the solder is 260 °C; solder at this temperature must not be in contact with the joint for more than 5 seconds. The total contact time of successive solder waves must not exceed 5 seconds.

The device may be mounted up to the seating plane, but the temperature of the plastic body must not exceed the specified maximum storage temperature ( $T_{stg\ max}$ ). If the printed-circuit board has been pre-heated, forced cooling may be necessary immediately after soldering to keep the temperature within the permissible limit.

#### REPAIRING SOLDERED JOINTS

Apply a low voltage soldering iron (less than 24 V) to the lead(s) of the package, below the seating plane or not more than 2 mm above it. If the temperature of the soldering iron bit is less than 300 °C it may remain in contact for up to 10 seconds. If the bit temperature is between 300 and 400 °C, contact may be up to 5 seconds.

### SO

#### REFLOW SOLDERING

Reflow soldering techniques are suitable for all SO packages.

Reflow soldering requires solder paste (a suspension of fine solder particles, flux and binding agent) to be applied to the printed-circuit board by screen printing, stencilling or pressure-syringe dispensing before package placement.

Several techniques exist for reflowing; for example, thermal conduction by heated belt. Dwell times vary between 50 and 300 seconds depending on heating method. Typical reflow temperatures range from 215 to 250 °C.

Preheating is necessary to dry the paste and evaporate the binding agent. Preheating duration: 45 minutes at 45 °C.

#### WAVE SOLDERING

Wave soldering techniques can be used for all SO packages if the following conditions are observed:

- A double-wave (a turbulent wave with high upward pressure followed by a smooth laminar wave) soldering technique should be used.
- The longitudinal axis of the package footprint must be parallel to the solder flow.
- The package footprint must incorporate solder thieves at the downstream end.

During placement and before soldering, the package must be fixed with a droplet of adhesive. The adhesive can be applied by screen printing, pin transfer or syringe dispensing. The package can be soldered after the adhesive is cured.

Maximum permissible solder temperature is 260 °C, and maximum duration of package immersion in solder is 10 seconds, if cooled to less than 150 °C within 6 seconds. Typical dwell time is 4 seconds at 250 °C.

A mildly-activated flux will eliminate the need for removal of corrosive residues in most applications.

#### REPAIRING SOLDERED JOINTS

Fix the component by first soldering two diagonally-opposite end leads. Use only a low voltage soldering iron (less than 24 V) applied to the flat part of the lead. Contact time must be limited to 10 seconds at up to 300 °C. When using a dedicated tool, all other leads can be soldered in one operation within 2 to 5 seconds between 270 and 320 °C.

# 1 W BTL mono audio amplifier with DC volume control

TDA7052A/AT

## DATA SHEET STATUS

DOCUMENT STATUS <sup>(1)</sup>	PRODUCT STATUS <sup>(2)</sup>	DEFINITION
Objective data sheet	Development	This document contains data from the objective specification for product development.
Preliminary data sheet	Qualification	This document contains data from the preliminary specification.
Product data sheet	Production	This document contains the product specification.

## Notes

1. Please consult the most recently issued document before initiating or completing a design.
2. The product status of device(s) described in this document may have changed since this document was published and may differ in case of multiple devices. The latest product status information is available on the Internet at URL <http://www.nxp.com>.

## DISCLAIMERS

**Limited warranty and liability** — Information in this document is believed to be accurate and reliable. However, NXP Semiconductors does not give any representations or warranties, expressed or implied, as to the accuracy or completeness of such information and shall have no liability for the consequences of use of such information.

In no event shall NXP Semiconductors be liable for any indirect, incidental, punitive, special or consequential damages (including - without limitation - lost profits, lost savings, business interruption, costs related to the removal or replacement of any products or rework charges) whether or not such damages are based on tort (including negligence), warranty, breach of contract or any other legal theory.

Notwithstanding any damages that customer might incur for any reason whatsoever, NXP Semiconductors' aggregate and cumulative liability towards customer for the products described herein shall be limited in accordance with the *Terms and conditions of commercial sale* of NXP Semiconductors.

**Right to make changes** — NXP Semiconductors reserves the right to make changes to information published in this document, including without limitation specifications and product descriptions, at any time and without notice. This document supersedes and replaces all information supplied prior to the publication hereof.

**Suitability for use** — NXP Semiconductors products are not designed, authorized or warranted to be suitable for use in life support, life-critical or safety-critical systems or equipment, nor in applications where failure or malfunction of an NXP Semiconductors product can reasonably be expected to result in personal injury, death or severe

property or environmental damage. NXP Semiconductors accepts no liability for inclusion and/or use of NXP Semiconductors products in such equipment or applications and therefore such inclusion and/or use is at the customer's own risk.

**Applications** — Applications that are described herein for any of these products are for illustrative purposes only. NXP Semiconductors makes no representation or warranty that such applications will be suitable for the specified use without further testing or modification.

Customers are responsible for the design and operation of their applications and products using NXP Semiconductors products, and NXP Semiconductors accepts no liability for any assistance with applications or customer product design. It is customer's sole responsibility to determine whether the NXP Semiconductors product is suitable and fit for the customer's applications and products planned, as well as for the planned application and use of customer's third party customer(s). Customers should provide appropriate design and operating safeguards to minimize the risks associated with their applications and products.

NXP Semiconductors does not accept any liability related to any default, damage, costs or problem which is based on any weakness or default in the customer's applications or products, or the application or use by customer's third party customer(s). Customer is responsible for doing all necessary testing for the customer's applications and products using NXP Semiconductors products in order to avoid a default of the applications and the products or of the application or use by customer's third party customer(s). NXP does not accept any liability in this respect.

## 1 W BTL mono audio amplifier with DC volume control

TDA7052A/AT

**Limiting values** — Stress above one or more limiting values (as defined in the Absolute Maximum Ratings System of IEC 60134) will cause permanent damage to the device. Limiting values are stress ratings only and (proper) operation of the device at these or any other conditions above those given in the Recommended operating conditions section (if present) or the Characteristics sections of this document is not warranted. Constant or repeated exposure to limiting values will permanently and irreversibly affect the quality and reliability of the device.

**Terms and conditions of commercial sale** — NXP Semiconductors products are sold subject to the general terms and conditions of commercial sale, as published at <http://www.nxp.com/profile/terms>, unless otherwise agreed in a valid written individual agreement. In case an individual agreement is concluded only the terms and conditions of the respective agreement shall apply. NXP Semiconductors hereby expressly objects to applying the customer's general terms and conditions with regard to the purchase of NXP Semiconductors products by customer.

**No offer to sell or license** — Nothing in this document may be interpreted or construed as an offer to sell products that is open for acceptance or the grant, conveyance or implication of any license under any copyrights, patents or other industrial or intellectual property rights.

**Export control** — This document as well as the item(s) described herein may be subject to export control regulations. Export might require a prior authorization from national authorities.

**Quick reference data** — The Quick reference data is an extract of the product data given in the Limiting values and Characteristics sections of this document, and as such is not complete, exhaustive or legally binding.

**Non-automotive qualified products** — Unless this data sheet expressly states that this specific NXP Semiconductors product is automotive qualified, the product is not suitable for automotive use. It is neither qualified nor tested in accordance with automotive testing or application requirements. NXP Semiconductors accepts no liability for inclusion and/or use of non-automotive qualified products in automotive equipment or applications.

In the event that customer uses the product for design-in and use in automotive applications to automotive specifications and standards, customer (a) shall use the product without NXP Semiconductors' warranty of the product for such automotive applications, use and specifications, and (b) whenever customer uses the product for automotive applications beyond NXP Semiconductors' specifications such use shall be solely at customer's own risk, and (c) customer fully indemnifies NXP Semiconductors for any liability, damages or failed product claims resulting from customer design and use of the product for automotive applications beyond NXP Semiconductors' standard warranty and NXP Semiconductors' product specifications.

# **NXP Semiconductors**

***provides High Performance Mixed Signal and Standard Product solutions that leverage its leading RF, Analog, Power Management, Interface, Security and Digital Processing expertise***

## **Customer notification**

This data sheet was changed to reflect the new company name NXP Semiconductors, including new legal definitions and disclaimers. No changes were made to the technical content, except for package outline drawings which were updated to the latest version.

## **Contact information**

For additional information please visit: <http://www.nxp.com>

For sales offices addresses send e-mail to: [salesaddresses@nxp.com](mailto:salesaddresses@nxp.com)

© NXP B.V. 2010

All rights are reserved. Reproduction in whole or in part is prohibited without the prior written consent of the copyright owner.

The information presented in this document does not form part of any quotation or contract, is believed to be accurate and reliable and may be changed without notice. No liability will be accepted by the publisher for any consequence of its use. Publication thereof does not convey nor imply any license under patent- or other industrial or intellectual property rights.

Printed in The Netherlands

RM5/02/pp14

Date of release: July 1994