

no image available

74ABT2245

Octal transceiver with direction pin and 30 Ohm series termination resistors (3-State)

[Favorite](#) [Print](#)

[Feedback](#)

Direct downloads

- [Datasheet \(pdf\)](#)
- [All application notes \(zip\)](#)
- [All models \(zip\)](#)
- [All documentation \(zip\)](#)

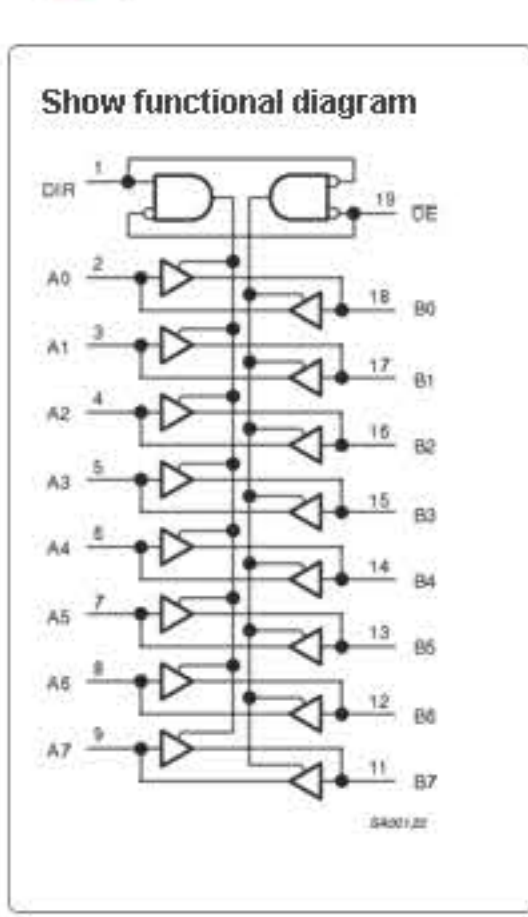
[All documents \(7\)](#)

The 74ABT2245 high-performance BiCMOS device combines low static and dynamic power dissipation with high speed.

The 74ABT2245 device is an octal transceiver featuring non-inverting 3-State bus compatible outputs in both send and receive directions. The control function implementation minimizes external timing requirements. The device features an Output Enable (\overline{OE}) input for easy cascading and a Direction (DIR) input for direction control.

The 74ABT2245 is designed with 30 Ω series resistance in both the HIGH and LOW states of the output. This design reduces line noise in applications such as memory address drivers, clock drivers, and bus receivers/transmitters.

The 74ABT2245 is the same as the 74ABT245-1. The part number has been changed to reflect industry standards.



Features and benefits

- Octal bidirectional bus interface
- 3-State buffers
- Output capability: +12 mA / -32 mA
- Latch-up protection exceeds 500 mA per Jedec Std 17
- ESD protection exceeds 2000 V per MIL STD 883C Method 3015 and 200 V per Machine Model
- Same as 74ABT245-1
- Outputs include series resistance of 30 Ω , making external termination resistors unnecessary
- Inputs are disabled during 3-State mode

This site uses cookies. Why? [Click here to find out more.](#) [Close](#)

Documentation for this product

[Download all documentation \(zip\)](#)

File name	Title	Type	Format	Date
74ABT2245	Octal transceiver with direction pin and 30 Ohm series termination resistors (3-state)	Data sheet	pdf	2014-03-14
AN203	Test Fixtures for High Speed Logic	Application note	pdf	1998-04-02
AN223	Ground and VCC Bounce of High-Speed Integrated Circuits	Application note	pdf	2013-03-13
AN212	Package lead inductance considerations in high-speed applications	Application note	pdf	2013-03-13
abt2245	abt2245 IBIS model	IBIS model	ibs	2013-04-07
ABT_FUNCSELGD	Functional selection guide ABT family	Other type	pdf	2004-08-13
abt	abt Spice model	SPICE model	zip	2013-05-07

Technical support

Do you want to ask technical questions to an NXP expert? Please select one of the following options:

- [Visit our Support Community to ask a question](#)
- [Find answers in our technical support site.](#)

Find answers to your design questions on this page. If available you can find information in our NXP Support Community or you can find NXP models, Demo boards and Design tools.

Models

Title	Type	Date
abt2245 IBIS model	IBIS model	2013-04-07
abt Spice model	SPICE model	2013-05-07

Frequently asked questions and Community discussions

The Frequently asked questions are answers provided by NXP technical experts. The discussions are between users of the Community, these can be NXP technical experts, but also other users.

27-07-2015	LIN Transceiver for 150°C Ambient temperature		>
27-07-2015	LIN Transceiver for 150°C Ambient temperature		>
06-07-2015	NXP LPC938 SPI timing		>
06-07-2015	NXP LPC938 SPI timing		>
01-07-2015	TJA1041J/C Part		>
01-07-2015	TJA1041J/C Part		>
27-11-2014	Reliability Data		>
27-11-2014	Reliability Data		>
17-12-2012	Do I need an external USB OTG transceiver even if I don't use OTG feature but require the USB Host or USB Device only?		>

[Go to the NXP Support Community](#)

Disclaimer All Community items are matched using search logic, so not all results may be equally relevant. Any opinions, advice, statements or other information in the discussions posted or transmitted by any third party are the responsibility of the author of that message and not of NXP.

Recent searches
Visited Products
Favorites

Keywords	Date	Results
No results		

Save your activities in this browser
[Erase all](#)

Login or Register to save your activities online
[Disclaimer](#)

Follow us

