



P82B96

Dual bidirectional bus buffer

Rev. 8.1 — 20 December 2021

Product data sheet

1 General description

The P82B96 is a bipolar IC that creates a non-latching, bidirectional, logic interface between the normal I²C-bus and a range of other bus configurations. It can interface I²C-bus logic signals to similar buses having different voltage and current levels.

For example, it can interface to the 350 µA SMBus, to 3.3 V logic devices, and to 15 V levels and/or low-impedance lines to improve noise immunity on longer bus lengths.

It achieves this interface without any restrictions on the normal I²C-bus protocols or clock speed. The IC adds minimal loading to the I²C-bus node, and loadings of the new bus or remote I²C-bus nodes are not transmitted or transformed to the local node. Restrictions on the number of I²C-bus devices in a system, or the physical separation between them, are virtually eliminated. Transmitting SDA and SCL signals via balanced transmission lines (twisted pairs) or with galvanic isolation (opto-coupling) is simple because separate directional Tx and Rx signals are provided. The Tx and Rx signals may be directly connected, without causing latching, to provide an alternative bidirectional signal line with I²C-bus properties.

2 Features

- Bidirectional data transfer of I²C-bus signals
- Isolates capacitance allowing 400 pF on Sx/Sy side and 4000 pF on Tx/Ty side
- Tx/Ty outputs have 60 mA sink capability for driving low-impedance or high capacitive buses
- 400 kHz operation over at least 20 meters of wire (see *AN10148*)
- Supply voltage range of 2 V to 15 V with I²C-bus logic levels on Sx/Sy side independent of supply voltage
- Splits I²C-bus signal into pairs of forward/reverse Tx/Rx, Ty/Ry signals for interface with opto-electrical isolators and similar devices that need unidirectional input and output signal paths.
- Low power supply current
- ESD protection exceeds 3500 V HBM per JESD22-A114 and 1000 V CDM per JESD22-C101
- Latch-up free (bipolar process with no latching structures)
- Packages offered: SO8 and TSSOP8

3 Applications

- Interface between I²C-buses operating at different logic levels (for example, 5 V and 3 V or 15 V)
- Interface between I²C-bus and SMBus (350 µA) standard



- Simple conversion of I²C-bus SDA or SCL signals to multi-drop differential bus hardware, for example, via compatible PCA82C250
- Interfaces with opto-couplers to provide opto-isolation between I²C-bus nodes up to 400 kHz

4 Ordering information

Table 1. Ordering information

Type number	Topside marking	Package		
		Name	Description	Version
P82B96DP	82B96	TSSOP8	plastic thin shrink small outline package; 8 leads; body width 3 mm	SOT505-1
P82B96TD	P82B96T	SO8	plastic small outline package; 8 leads; body width 3.9 mm	SOT96-1
P82B96TD/S900	P82B96T	SO8	plastic small outline package; 8 leads; body width 3.9 mm	SOT96-1

4.1 Ordering options

Table 2. Ordering options

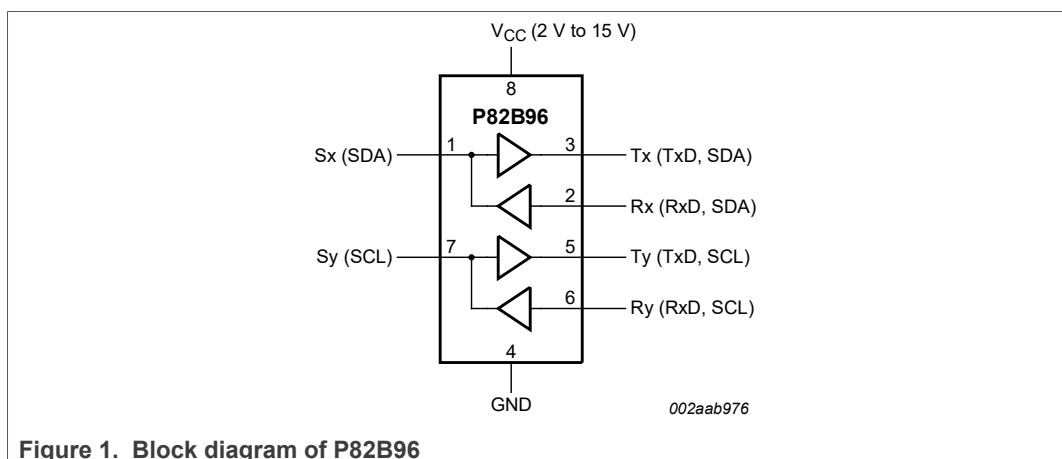
Type number	Orderable part number	Package	Packing method ^[1]	Minimum order quantity	Temperature
P82B96DP	P82B96DPZ ^[2]	TSSOP8	REEL 13" Q1/T1 NDP SSB ^[3]	2500	T _{amb} = -40 °C to +85 °C
	P82B96DP,118	TSSOP8	REEL 13" Q1/T1 NDP	2500	T _{amb} = -40 °C to +85 °C
P82B96TD	P82B96TD,118	SO8	REEL 13" Q1/T1 NDP	2500	T _{amb} = -40 °C to +85 °C
P82B96TD/S900	P82B96TD/S900,118	SO8	REEL 13" Q1/T1 NDP	2500	T _{amb} = -40 °C to +125 °C

[1] Standard packing quantities and other packaging data are available at www.nxp.com/packages/.

[2] Orderable part number P82B96DPZ is a drop in alternate for P82B96DP,118.

[3] This packing method uses a Static Shielding Bag (SSB) solution. Material should be kept in sealed bag between uses.

5 Block diagram



6 Pinning information

6.1 Pinning

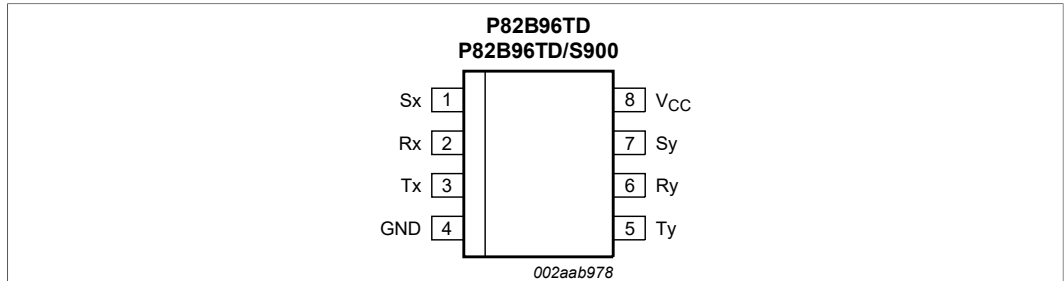


Figure 2. Pin configuration for SO8

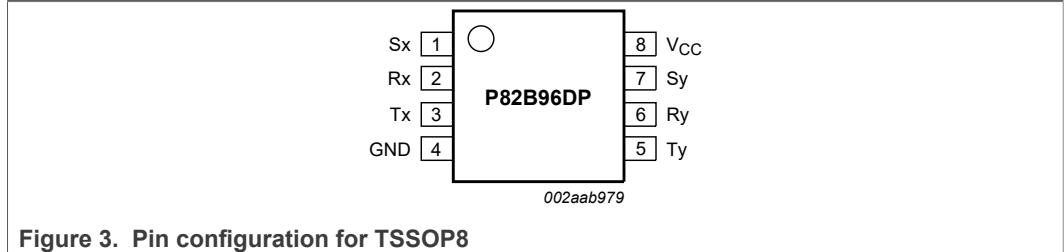


Figure 3. Pin configuration for TSSOP8

6.2 Pin description

Table 3. Pin description

Symbol	Pin	Description
Sx	1	I ² C-bus (SDA or SCL)
Rx	2	receive signal
Tx	3	transmit signal
GND	4	negative supply
Ty	5	transmit signal
Ry	6	receive signal
Sy	7	I ² C-bus (SDA or SCL)
V _{CC}	8	positive supply voltage

7 Functional description

Refer to [Figure 1](#).

The P82B96 has two identical buffers allowing buffering of both of the I²C-bus (SDA and SCL) signals. Each buffer is made up of two logic signal paths, a forward path from the I²C-bus interface pin which drives the buffered bus, and a reverse signal path from the buffered bus input to drive the I²C-bus interface. Thus these paths are:

- sense the voltage state of the I²C-bus pin Sx (or Sy) and transmit this state to the pin Tx (Ty respectively), and
- sense the state of the pin Rx (Ry) and pull the I²C-bus pin LOW whenever Rx (Ry) is LOW.

The rest of this discussion will address only the 'x' side of the buffer; the 'y' side is identical.

The I²C-bus pin (Sx) is designed to interface with a normal I²C-bus.

The logic threshold voltage levels on the I²C-bus are independent of the IC supply V_{CC}. The maximum I²C-bus supply voltage is 15 V and the guaranteed static sink current is 3 mA.

The logic level of Rx is determined from the power supply voltage V_{CC} of the chip. Logic LOW is below 42 % of V_{CC}, and logic HIGH is above 58 % of V_{CC} (with a typical switching threshold of half V_{CC}).

Tx is an open-collector output without ESD protection diodes to V_{CC}. It may be connected via a pull-up resistor to a supply voltage in excess of V_{CC}, as long as the 15 V rating is not exceeded. It has a larger current sinking capability than a normal I²C-bus device, being able to sink a static current of greater than 30 mA, and typical 100 mA dynamic pull-down capability as well.

A logic LOW is only transmitted to Tx when the voltage at the I²C-bus pin (Sx) is below 0.6 V. A logic LOW at Rx will cause the I²C-bus (Sx) to be pulled to a logic LOW level in accordance with I²C-bus requirements (maximum 1.5 V in 5 V applications) but not low enough to be looped back to the Tx output and cause the buffer to latch LOW.

The minimum LOW level this chip can achieve on the I²C-bus by a LOW at Rx is typically 0.8 V.

If the supply voltage V_{CC} fails, then neither the I²C-bus nor the Tx output will be held LOW. Their open-collector configuration allows them to be pulled up to the rated maximum of 15 V even without V_{CC} present. The input configuration on Sx and Rx also present no loading of external signals even when V_{CC} is not present.

The effective input capacitance of any signal pin, measured by its effect on bus rise times, is less than 7 pF for all bus voltages and supply voltages including V_{CC} = 0 V.

Remark: Two or more Sx or Sy I/Os must not be interconnected. The P82B96 design does not support this configuration. Bidirectional I²C-bus signals do not allow any direction control pin so, instead, slightly different logic low voltage levels are used at Sx/Sy to avoid latching of this buffer. A 'regular I²C-bus LOW' applied at the Rx/Ry of a P82B96 will be propagated to Sx/Sy as a 'buffered LOW' with a slightly higher voltage level. If this special 'buffered LOW' is applied to the Sx/Sy of another P82B96 that second P82B96 will not recognize it as a 'regular I²C-bus LOW' and will not propagate it to its Tx/Ty output. The Sx/Sy side of P82B96 may not be connected to similar buffers that rely on special logic thresholds for their operation, for example PCA9511, PCA9515, or PCA9518. The Sx/Sy side is only intended for, and compatible with, the normal I²C-bus logic voltage levels of I²C-bus master and slave chips, or even Tx/Rx signals of a second P82B96 if required. The Tx/Rx and Ty/Ry I/O pins use the standard I²C-bus logic voltage levels of all I²C-bus parts. There are **no** restrictions on the interconnection of the Tx/Rx and Ty/Ry I/O pins to other P82B96s, for example in a star or multipoint configuration with the Tx/Rx and Ty/Ry I/O pins on the common bus and the Sx/Sy side connected to the line card slave devices. For more details see *Application Note AN255*.

8 Limiting values

Table 4. Limiting values

In accordance with the Absolute Maximum Rating System (IEC 60134); voltages with respect to pin GND.

Symbol	Parameter	Conditions		Min	Max	Unit
V _{CC}	supply voltage	V _{CC} to GND		-0.3	+18	V
V _{Sx}	voltage on pin Sx	I ² C-bus SDA or SCL		-0.3	+18	V
V _{Tx}	voltage on pin Tx	buffered output	[1]	-0.3	+18	V
V _{Rx}	voltage on pin Rx	receive input	[1]	-0.3	+18	V
I _n	current on any pin			-	250	mA
P _{tot}	total power dissipation			-	300	mW
T _j	junction temperature	operating range P82B96TD/S900		-40	+125	°C
T _{stg}	storage temperature			-55	+125	°C
T _{amb}	ambient temperature	operating		-40	+85	°C

[1] See also [Section 10.2](#).

9 Characteristics

Table 5. Characteristics

T_{amb} = +25 °C; voltages are specified with respect to GND with V_{CC} = 5 V, unless otherwise specified.

Symbol	Parameter	Conditions	T _{amb} = +25 °C			T _{amb} = -40 °C to +125 °C ^[1]		Unit	
			Min	Typ	Max	Min	Max		
Power supply									
V _{CC}	supply voltage	operating	2.0	-	15	2.0	15	V	
I _{CC}	supply current	buses HIGH	-	0.9	1.8	-	3	mA	
		V _{CC} = 15 V; buses HIGH	-	1.1	2.5	-	4	mA	
ΔI _{CC}	additional quiescent supply current	per Tx or Ty LOW	-	1.7	3.5	-	3.5	mA	
Bus pull-up (load) voltages and currents									
V _{Sx} , V _{Sy}	maximum input/output voltage	open-collector; I ² C-bus and V _{Rx} , V _{Ry} = HIGH	-	-	15	-	15	V	
I _{Sx} , I _{Sy}	static output loading on I ² C-bus	V _{Sx} , V _{Sy} = 1.0 V; V _{Rx} , V _{Ry} = LOW	[2]	0.2	3	0.2	3	mA	
I _{Sx} , I _{Sy}	dynamic output sink capability on I ² C-bus	V _{Sx} , V _{Sy} = 2 V; V _{Rx} , V _{Ry} = LOW		7	18	-	7	mA	
I _{Sx} , I _{Sy}	leakage current on I ² C-bus	V _{Sx} , V _{Sy} = 5 V; V _{Rx} , V _{Ry} = HIGH		-	-	1	-	10	μA

Table 5. Characteristics...continued

$T_{amb} = +25\text{ °C}$; voltages are specified with respect to GND with $V_{CC} = 5\text{ V}$, unless otherwise specified.

Symbol	Parameter	Conditions	$T_{amb} = +25\text{ °C}$			$T_{amb} = -40\text{ °C}$ to $+125\text{ °C}$ ^[1]		Unit
			Min	Typ	Max	Min	Max	
		$V_{Sx}, V_{Sy} = 15\text{ V}; V_{Rx}, V_{Ry} = \text{HIGH}$	-	1	-	-	10	μA
V_{Tx}, V_{Ty}	maximum output voltage level	open-collector	-	-	15	-	15	V
I_{Tx}, I_{Ty}	static output loading on buffered bus	$V_{Tx}, V_{Ty} = 0.4\text{ V}; V_{Sx}, V_{Sy} = \text{LOW}$ on I ² C-bus = 0.4 V	-	-	30	-	30	mA
I_{Tx}, I_{Ty}	dynamic output sink capability, buffered bus	$V_{Tx}, V_{Ty} > 1\text{ V}; V_{Sx}, V_{Sy} = \text{LOW}$ on I ² C-bus = 0.4 V	60	100	-	60	-	mA
I_{Tx}, I_{Ty}	leakage current on buffered bus	$V_{Tx}, V_{Ty} = V_{CC} = 15\text{ V}; V_{Sx}, V_{Sy} = \text{HIGH}$	-	1	-	-	10	μA
Input currents								
I_{Sx}, I_{Sy}	input current from I ² C-bus	bus LOW; $V_{Rx}, V_{Ry} = \text{HIGH}$	-	-1	-	-	-10	μA
I_{Rx}, I_{Ry}	input current from buffered bus	bus LOW; $V_{Rx}, V_{Ry} = 0.4\text{ V}$	-	-1	-	-	-10	μA
I_{Rx}, I_{Ry}	leakage current on buffered bus input	$V_{Rx}, V_{Ry} = V_{CC}$	-	1	-	-	10	μA
Output logic LOW level								
V_{Sx}, V_{Sy}	output logic level LOW on normal I ² C-bus	$I_{Sx}, I_{Sy} = 3\text{ mA}$	^[3] 0.8	0.88	1.0	(see Figure 5)		V
		$I_{Sx}, I_{Sy} = 0.2\text{ mA}$	^[3] 670	730	790	(see Figure 4)		mV
$dV_{Sx}/dT, dV_{Sy}/dT$	temperature coefficient of output LOW levels	$I_{Sx}, I_{Sy} = 0.2\text{ mA}$	^[3] -	-1.8	-	-	-	mV/K
Input logic switching threshold voltages								
V_{Sx}, V_{Sy}	input logic voltage LOW	on normal I ² C-bus	^[4] -	640	600	(see Figure 6)		mV
V_{Sx}, V_{Sy}	input logic level HIGH threshold	on normal I ² C-bus	^[4] 700	650	-	(see Figure 7)		mV
$dV_{Sx}/dT, dV_{Sy}/dT$	temperature coefficient of input thresholds		-	-2	-	-	-	mV/K
V_{Rx}, V_{Ry}	input logic HIGH level	fraction of applied V_{CC}	$0.58V_{CC}$	-	-	$0.58V_{CC}$	-	V
V_{Rx}, V_{Ry}	input threshold	fraction of applied V_{CC}	-	$0.5V_{CC}$	-	-	-	V
V_{Rx}, V_{Ry}	input logic LOW level	fraction of applied V_{CC}	-	-	$0.42V_{CC}$	-	$0.42V_{CC}$	V
Logic level threshold difference								
V_{Sx}, V_{Sy}	input/output logic level difference	V_{Sx} output LOW at 0.2 mA - V_{Sx} input HIGH maximum	^[2] 50	85	-	50	-	mV
Thermal resistance								

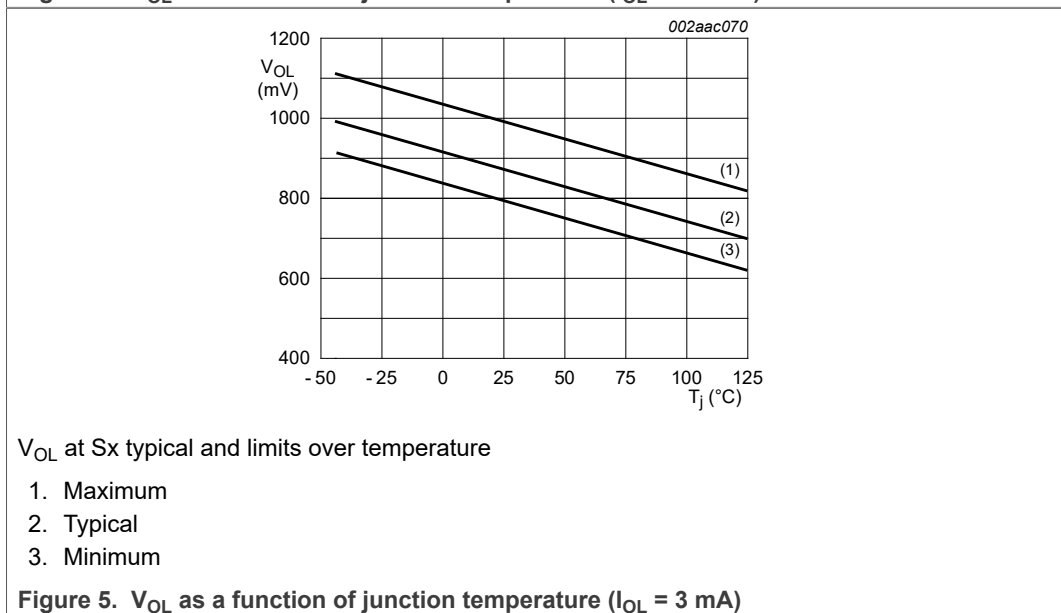
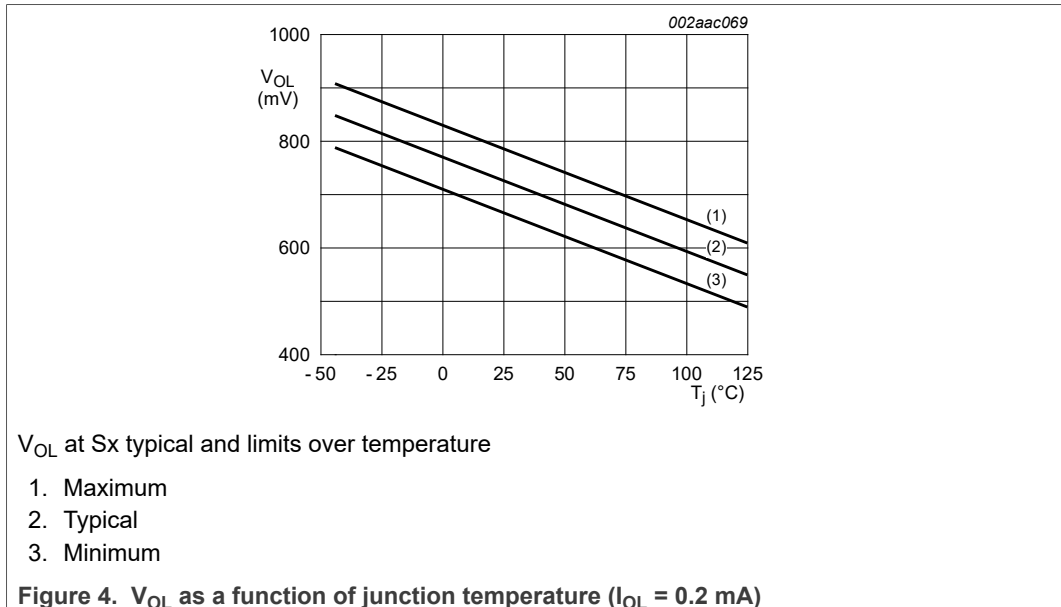
Table 5. Characteristics...continued

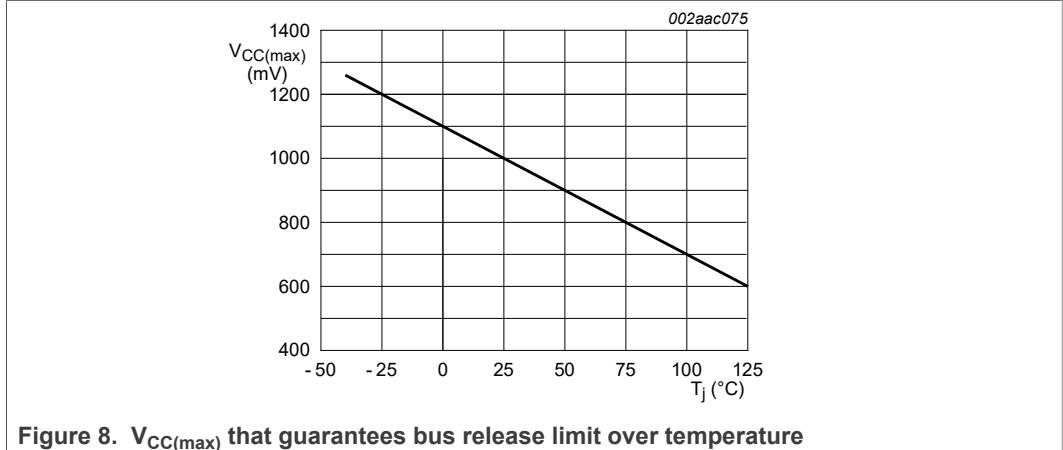
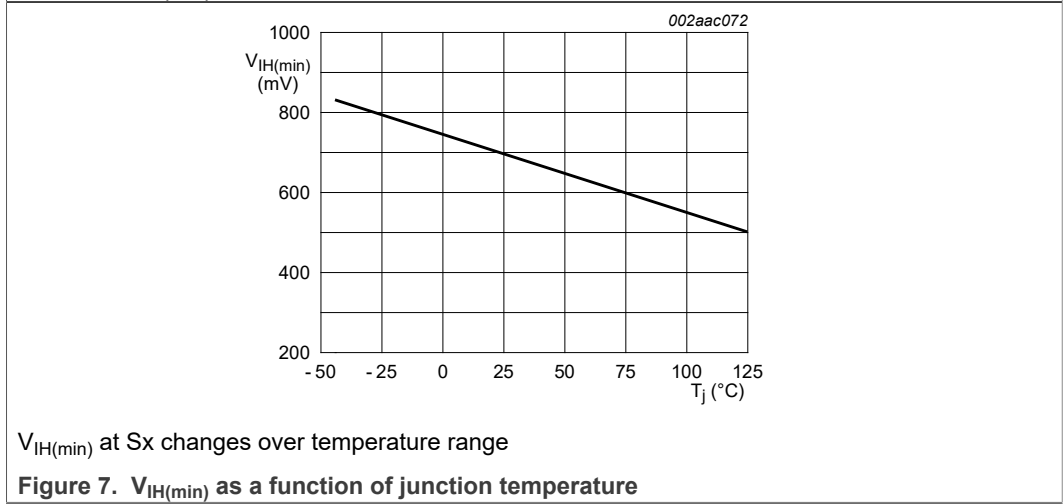
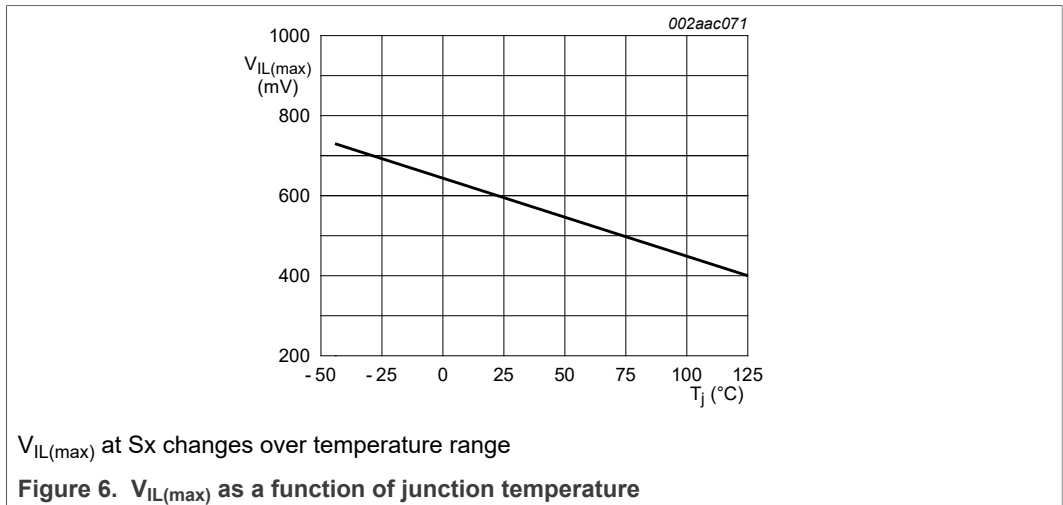
$T_{amb} = +25\text{ °C}$; voltages are specified with respect to GND with $V_{CC} = 5\text{ V}$, unless otherwise specified.

Symbol	Parameter	Conditions	$T_{amb} = +25\text{ °C}$			$T_{amb} = -40\text{ °C}$ to $+125\text{ °C}$ ^[1]		Unit
			Min	Typ	Max	Min	Max	
$R_{th(j-pcb)}$	thermal resistance from junction to printed-circuit board	SOT96-1 (SO8); average lead temperature at board interface	-	127	-	-	-	K/W
Bus release on V_{CC} failure								
$V_{Sx}, V_{Sy}, V_{Tx}, V_{Ty}$	V_{CC} voltage at which all buses are guaranteed to be released		-	-	1	(see Figure 8)		V
dV/dT	temperature coefficient of guaranteed release voltage		-	-4	-	-	-	mV/K
Buffer response time ^[5]								
$T_{fall\ delay}$ V_{Sx} to V_{Tx} , V_{Sy} to V_{Ty}	buffer time delay on falling input between $V_{Sx} =$ input switching threshold, and V_{Tx} output falling 50 %	R_{Tx} pull-up = 160 Ω ; no capacitive load; $V_{CC} = 5\text{ V}$	-	70	-	-	-	ns
$T_{rise\ delay}$ V_{Sx} to V_{Tx} , V_{Sy} to V_{Ty}	buffer time delay on rising input between $V_{Sx} =$ input switching threshold, and V_{Tx} output reaching 50 % V_{CC}	R_{Tx} pull-up = 160 Ω ; no capacitive load; $V_{CC} = 5\text{ V}$	-	90	-	-	-	ns
$T_{fall\ delay}$ V_{Rx} to V_{Sx} , V_{Ry} to V_{Sy}	buffer time delay on falling input between $V_{Rx} =$ input switching threshold, and V_{Sx} output falling 50 %	R_{Sx} pull-up = 1500 Ω ; no capacitive load; $V_{CC} = 5\text{ V}$	-	250	-	-	-	ns
$T_{rise\ delay}$ V_{Rx} to V_{Sx} , V_{Ry} to V_{Sy}	buffer time delay on rising input between $V_{Rx} =$ input switching threshold, and V_{Sx} output reaching 50 % V_{CC}	R_{Sx} pull-up = 1500 Ω ; no capacitive load; $V_{CC} = 5\text{ V}$	-	270	-	-	-	ns
Input capacitance								
C_i	input capacitance	effective input capacitance of any signal pin measured by incremental bus rise times	-	-	7	-	7	pF

[1] Limit data for +125 °C applies to P82B96TD/S900 version. It is guaranteed by design/characterization, but not by 100 % test.
 [2] The minimum value requirement for pull-up current, 200 μ A, guarantees that the minimum value for V_{Sx} output LOW will always exceed the minimum V_{Sx} input HIGH level to eliminate any possibility of latching. The specified difference is guaranteed by design within any IC. While the tolerances on absolute levels allow a small probability the LOW from one Sx output is recognized by an Sx input of another P82B96, this has no consequences for normal applications. In any design the Sx pins of different ICs should never be linked because the resulting system would be very susceptible to induced noise and would not support all I²C-bus operating modes.
 [3] The output logic LOW depends on the sink current. For scaling, see *Application Note AN255*.

- [4] The input logic threshold is independent of the supply voltage.
- [5] The fall time of V_{Tx} from 5 V to 2.5 V in the test is approximately 15 ns.
 The fall time of V_{Sx} from 5 V to 2.5 V in the test is approximately 50 ns.
 The rise time of V_{Tx} from 0 V to 2.5 V in the test is approximately 20 ns.
 The rise time of V_{Sx} from 0.9 V to 2.5 V in the test is approximately 70 ns.





10 Application information

Refer to AN460 and AN255 for more application detail.

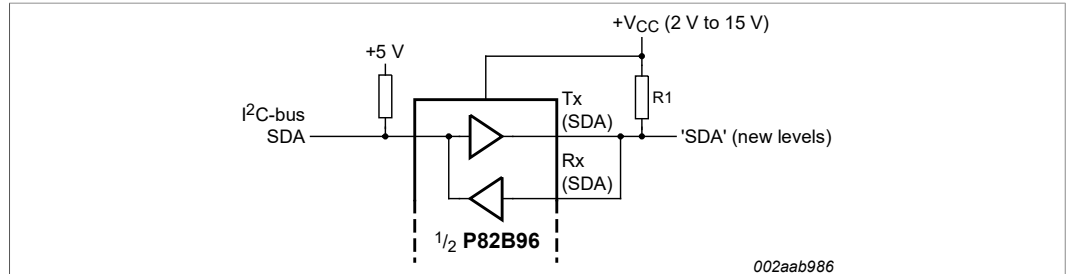


Figure 9. Interfacing an 'I²C' type of bus with different logic levels

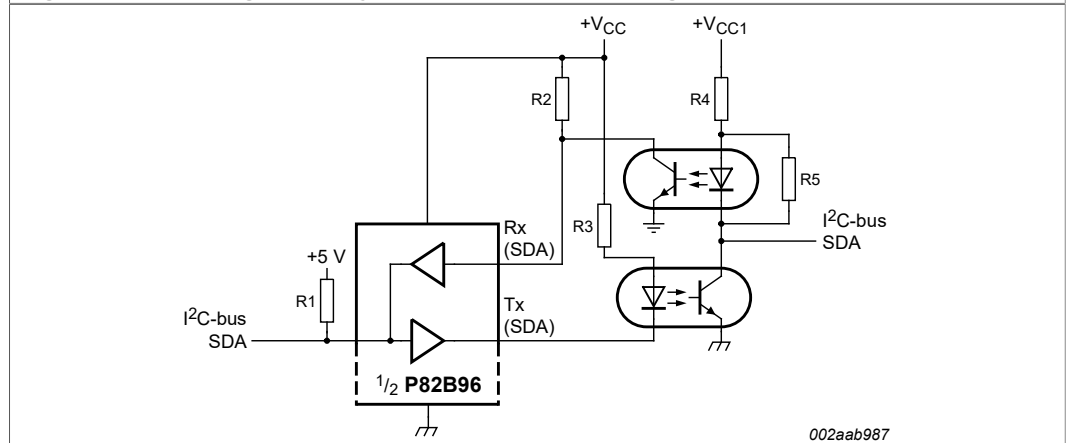


Figure 10. Galvanic isolation of I²C-bus nodes via opto-couplers

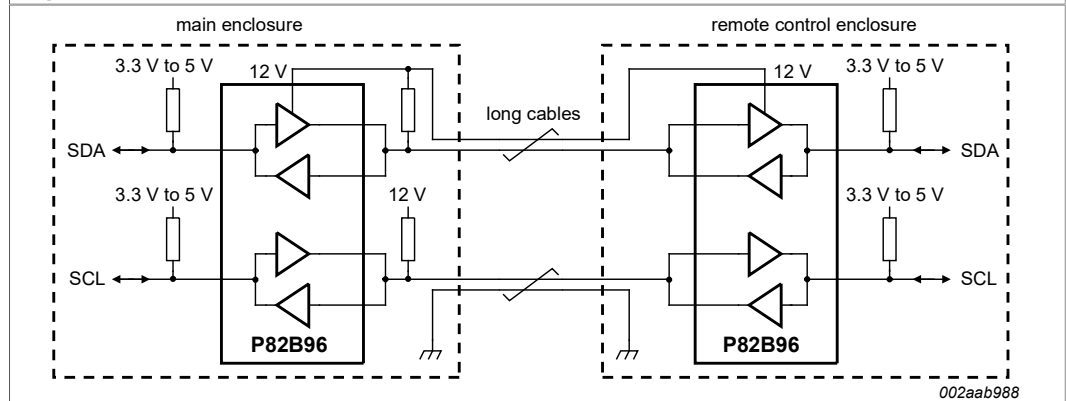


Figure 11. Long distance I²C-bus communications

Figure 12 shows how a master I²C-bus can be protected against short circuits or failures in applications that involve plug and socket connections and long cables that may become damaged. A simple circuit is added to monitor the SDA bus, and if its LOW time exceeds the design value, then the master bus is disconnected. P82B96 will free all its I/Os if its supply is removed, so one option is to connect its V_{CC} to the output of a logic gate from, say, the 74LVC family. The SDA and SCL lines could be timed and V_{CC} disabled via the gate if one or other lines exceeds a design value of 'LOW' period as in Figure 28 of AN255. If the supply voltage of logic gates restricts the choice of V_{CC} supply then the low-cost discrete circuit in Figure 12 can be used. If the SDA line is held LOW,

the 100 nF capacitor will charge and the Ry input will be pulled towards V_{CC}. When it exceeds 0.5V_{CC} the Ry input will set the Sy input HIGH, which in practice means simply releasing it.

In this example the SCL line is made unidirectional by tying the Rx pin to V_{CC}. The state of the buffered SCL line cannot affect the master clock which is allowed when clock-stretching is not required. It is simple to add an additional transistor or diode to control the Rx input in the same way as Ry when necessary. The +V cable drive can be any voltage up to 15 V and the bus may be run at a lower impedance by selecting pull-up resistors for a static sink current up to 30 mA. V_{CC1} and V_{CC2} may be chosen to suit the connected devices. Because DDC uses relatively low speeds (< 100 kHz), the cable length is not restricted to 20 m by the I²C-bus signalling, but it may be limited by the video signalling.

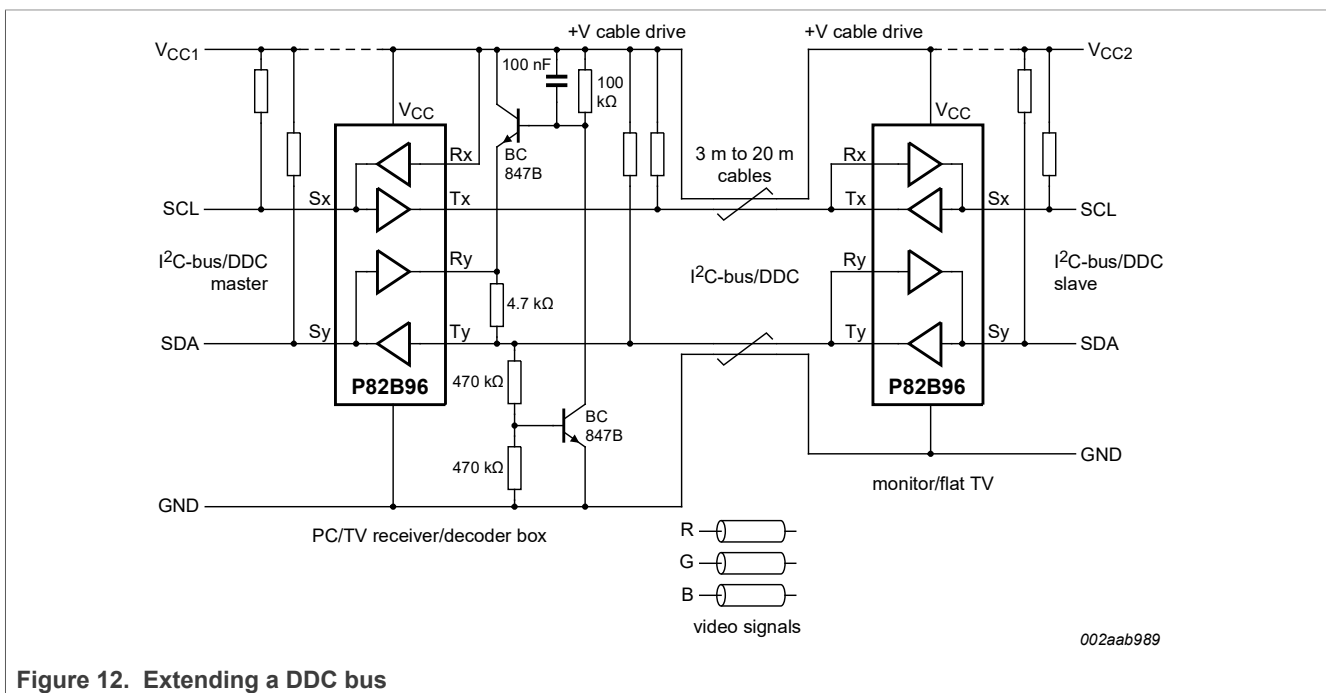


Figure 12. Extending a DDC bus

Figure 13 shows that P82B96 can achieve high clock rates over long cables. While calculating with lumped wiring capacitance yields reasonable approximations to actual timing, even 25 meters of cable is better treated using transmission line theory. Flat ribbon cables connected as shown, with the bus signals on the outer edge, will have a characteristic impedance in the range 100 Ω to 200 Ω. For simplicity they cannot be terminated in their characteristic impedance but a practical compromise is to use the minimum pull-up allowed for P82B96 and place half this termination at each end of the cable. When each pull-up is below 330 Ω, the rising edge waveforms have their first voltage 'step' level above the logic threshold at Rx and cable timing calculations can be based on the fast rise/fall times of resistive loading plus simple one-way propagation delays. When the pull-up is larger, but below 750 Ω, the threshold at Rx will be crossed after one signal reflection. So at the sending end it is crossed after 2 times the one-way propagation delay and at the receiving end after 3 times that propagation delay. For flat cables with partial plastic dielectric insulation (by using outer cores) the one-way propagation delays will be about 5 ns per meter. The 10 % to 90 % rise and fall times on the cable will be between 20 ns and 50 ns, so their delay contributions are small. There

will be ringing on falling edges that can be damped, if required, by using Schottky diodes as shown.

When the Master SCL HIGH and LOW periods can be programmed separately, for example using control registers I2SCLH and I2SCLL of 89LPC932, the timings can allow for bus delays. The LOW period should be programmed to achieve the minimum 1300 ns plus the net delay in the slave's response data signal caused by bus and buffer delays. The longest data delay is the sum of the delay of the falling edge of SCL from master to slave and the delay of the rising edge of SDA from slave data to master. Because the buffer will 'stretch' the programmed SCL LOW period, the actual SCL frequency will be lower than calculated from the programmed clock periods. In the example for 25 meters the clock is stretched 400 ns, the falling edge of SCL is delayed 490 ns and the SDA rising edge is delayed 570 ns. The required additional LOW period is (490 ns + 570 ns) = 1060 ns and the I²C-bus specifications already include an allowance for a worst case bus rise time 0 % to 70 % of 425 ns. (The bus rise time can be 300 ns 30 % to 70 %, which means it can be 425 ns 0 % to 70 %. The 25 meter cable delay times as quoted already include all rise and fall times.) Therefore, the microcontroller only needs to be programmed with an additional (1060 ns - 425 ns) = 635 ns, making a total programmed LOW period 1935 ns. The programmed LOW will be stretched by 400 ns to yield an actual bus LOW time of 2335 ns, which, allowing the minimum HIGH period of 600 ns, yields a cycle period of 2935 ns or 341 kHz.

Note that in both the 100 meter and 250 meter examples, the capacitive loading on the I²C-buses at each end is within the maximum allowed Standard mode loading of 400 pF, but exceeds the Fast mode limit. This is an example of a 'hybrid' mode because it relies on the response delays of Fast mode parts but uses (allowable) Standard mode bus loadings with rise times that contribute significantly to the system delays. The cables cause large propagation delays, so these systems need to operate well below the 400 kHz limit, but illustrate how they can still exceed the 100 kHz limit provided all parts are capable of Fast mode operation. The fastest example illustrates how the 400 kHz limit can be exceeded, provided masters and slaves have the required timings, namely smaller than the maximum allowed for Fast mode. Many NXP slaves have delays shorter than 600 ns and all Fm+ devices must be < 450 ns.

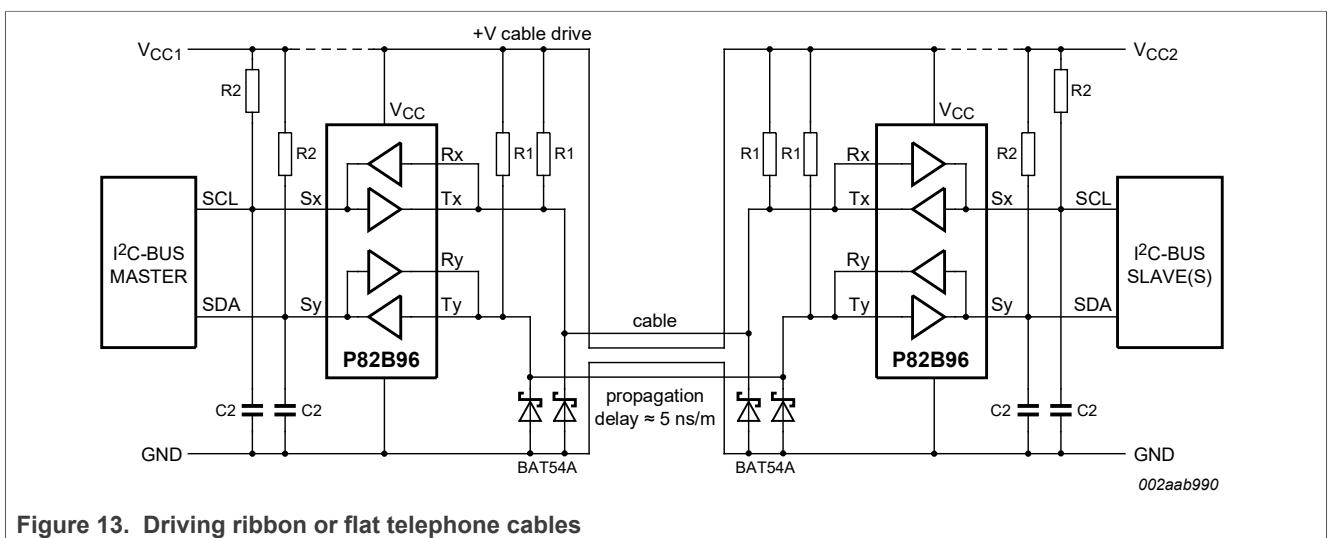


Figure 13. Driving ribbon or flat telephone cables

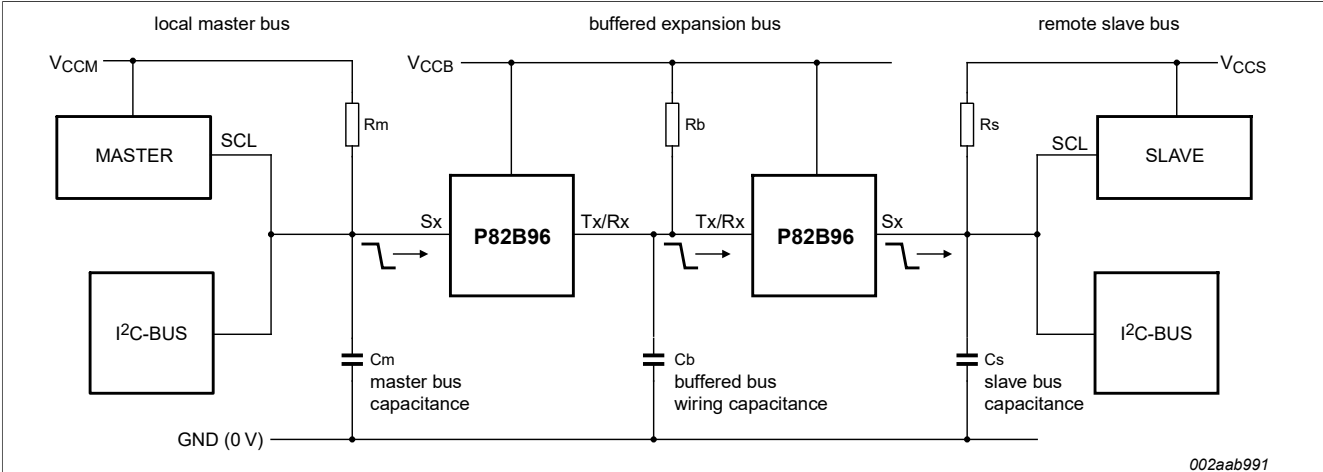
NXP Semiconductors

Table 6. Examples of bus capability

Refer to [Figure 13](#).

+V _{CC1}	+V cable	+V _{CC2}	R1 (Ω)	R2 (Ω)	C2 (pF)	Cable length	Cable capacitance	Cable delay	Set master nominal SCL	
									HIGH period	LOW period
5 V	12 V	5 V	750	2.2 k	400	250 m	n/a (delay based)	1.25 μs	600 ns	4000 ns
5 V	12 V	5 V	750	2.2 k	220	100 m	n/a (delay based)	500 ns	600 ns	2600 ns
3.3 V	5 V	3.3 V	330	1 k	220	25 m	1 nF	125 ns	600 ns	1500 ns
3.3 V	5 V	3.3 V	330	1 k	100	3 m	120 pF	15 ns	600 ns	1000 ns

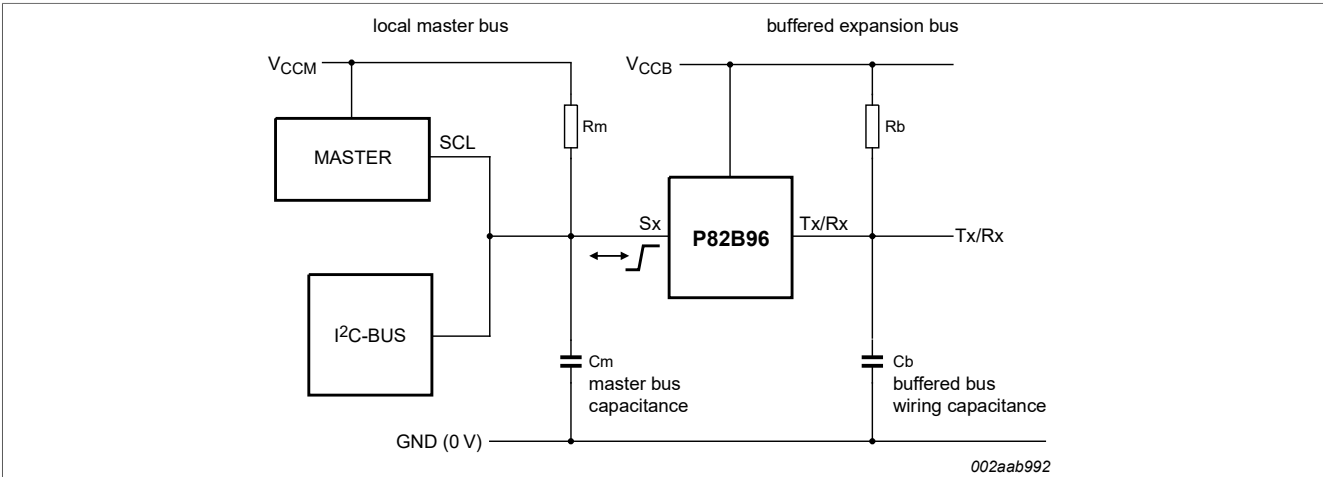
10.1 Calculating system delays and bus clock frequency for a Fast mode system



002aab991

Effective delay of SCL at slave: $255 + 17V_{CCM} + (2.5 + 4 \times 10^9 C_b)V_{CCB} + 10V_{CCS}$ ns.
 C = F; V = volts.

Figure 14. Falling edge of SCL at master is delayed by the buffers and bus fall times



002aab992

Effective delay of SCL at master: $270 + R_m C_m + 0.7 R_b C_b$ ns.
 C = F; R = Ω.

Figure 15. Rising edge of SCL at master is delayed (clock stretch) by buffer and bus rise times

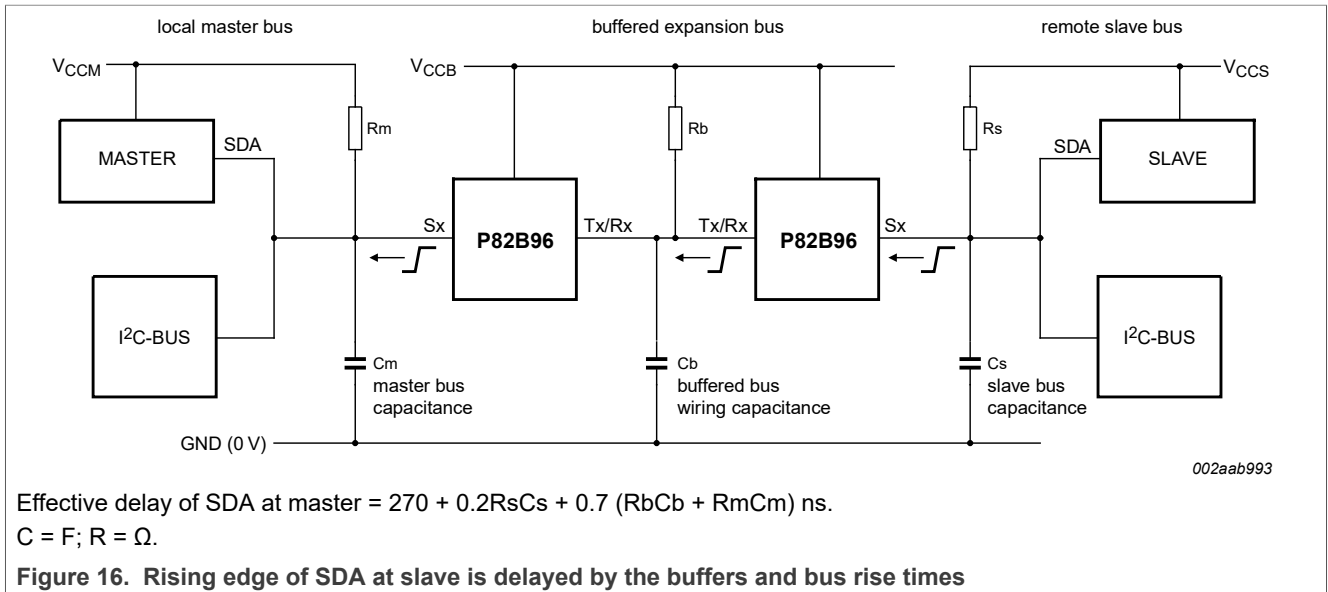


Figure 14, Figure 15, and Figure 16 show the P82B96 used to drive extended bus wiring, with relatively large capacitance, linking two Fast mode I²C-bus nodes. It includes simplified expressions for making the relevant timing calculations for 3.3 V or 5 V operation. Because the buffers and the wiring introduce timing delays, it may be necessary to decrease the nominal SCL frequency below 400 kHz. In most cases the actual bus frequency will be lower than the nominal Master timing due to bit-wise stretching of the clock periods.

The delay factors involved in calculation of the allowed bus speed are:

- A:** The propagation delay of the master signal through the buffers and wiring to the slave. The important delay is that of the falling edge of SCL because this edge ‘requests’ the data or acknowledge from a slave. See Figure 14.
- B:** The effective stretching of the nominal LOW period of SCL at the master caused by the buffer and bus rise times. See Figure 15.
- C:** The propagation delay of the slave's response signal through the buffers and wiring back to the master. The important delay is that of a rising edge in the SDA signal. Rising edges are always slower and are therefore delayed by a longer time than falling edges. (The rising edges are limited by the passive pull-up while falling edges are actively driven). See Figure 16.

The timing requirement in any I²C-bus system is that a slave's data response (which is provided in response to a falling edge of SCL) must be received at the master before the end of the corresponding LOW period of SCL as appears on the bus wiring at the master. Since all slaves will, as a minimum, satisfy the worst case timing requirements of a 400 kHz part, they must provide their response within the minimum allowed clock LOW period of 1300 ns. Therefore in systems that introduce additional delays it is only necessary to extend that minimum clock LOW period by any ‘effective’ delay of the slave's response. The effective delay of the slaves response equals the total delays in SCL falling edge from the master reaching the slave (Figure 14) minus the effective delay (stretch) of the SCL rising edge (Figure 15) plus total delays in the slave's response data, carried on SDA, reaching the master (Figure 16).

The master microcontroller should be programmed to produce a nominal SCL LOW period = $(1300 + A - B + C)$ ns, and should be programmed to produce the nominal

minimum SCL HIGH period of 600 ns. Then a check should be made to ensure the cycle time is not shorter than the minimum 2500 ns. If found necessary, just increase either clock period.

Due to clock stretching, the SCL cycle time will always be longer than (600 + 1300 + A + C) ns.

Example:

The master bus has an RmCm product of 100 ns and V_{CCM} = 5 V.

The buffered bus has a capacitance of 1 nF and a pull-up resistor of 160 Ω to 5 V giving an RbCb product of 160 ns. The slave bus also has an RsCs product of 100 ns. The microcontroller LOW period should be programmed to ≥ (1300 + 372.5 - 482 + 472) ns, that is ≥ 1662.5 ns.

Its HIGH period may be programmed to the minimum 600 ns.

The nominal microcontroller clock period will be ≥ (1662.5 + 600) ns = 2262.5 ns, equivalent to a frequency of 442 kHz.

The actual bus clock period, including the 482 ns clock stretch effect, will be below (nominal + stretch) = (2262.5 + 482) ns or ≥ 2745 ns, equivalent to an allowable frequency of 364 kHz.

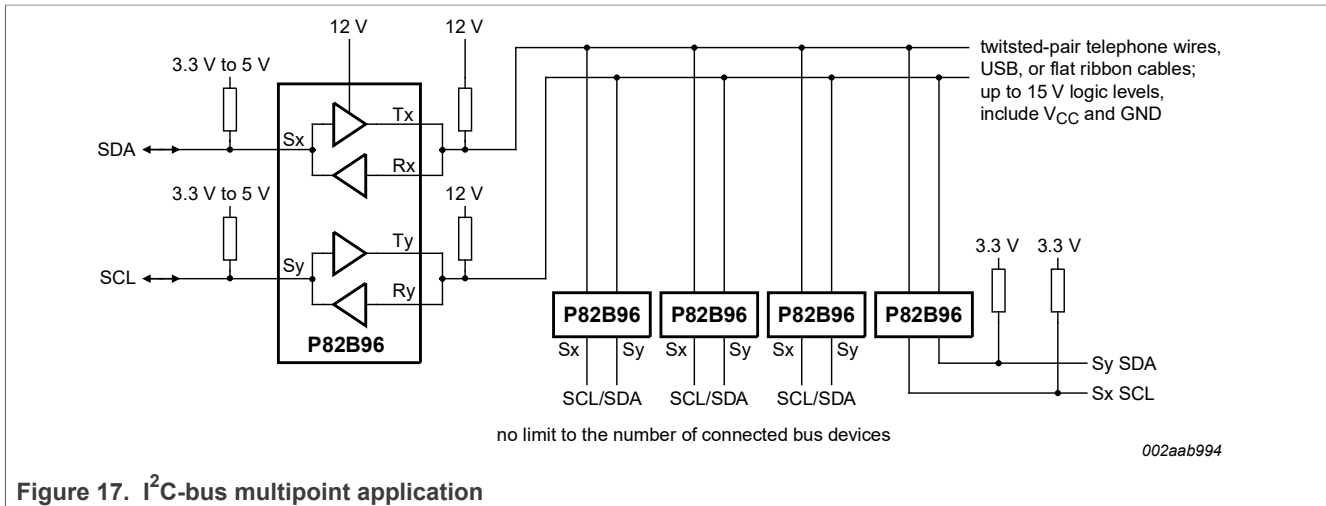
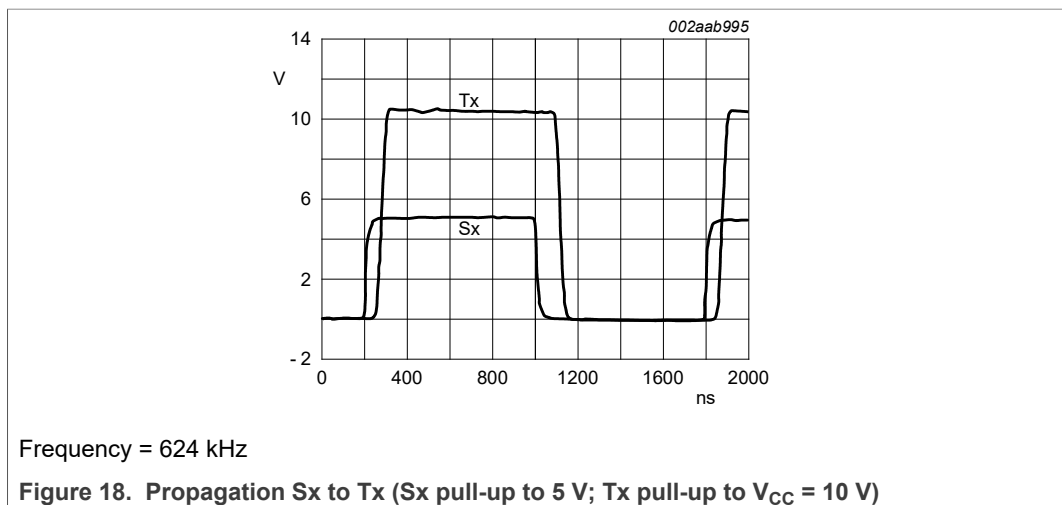
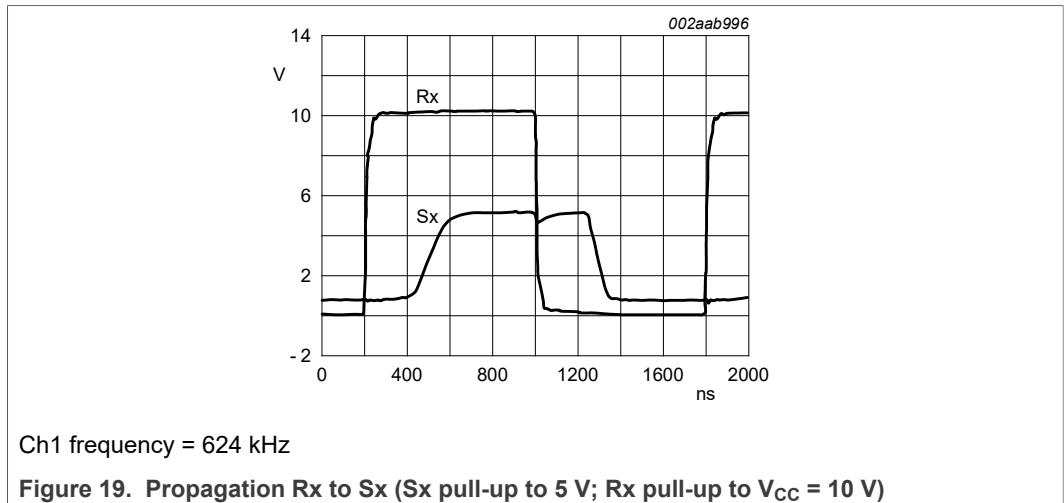


Figure 17. I²C-bus multipoint application



Frequency = 624 kHz

Figure 18. Propagation Sx to Tx (Sx pull-up to 5 V; Tx pull-up to V_{CC} = 10 V)



10.2 Negative undershoot below absolute minimum value

The reason why the IC pin reverse voltage on pins Tx and Rx in [Table 4](#) is specified at such a low value, -0.3 V, is **not** that applying larger voltages is likely to cause damage but that it is expected that, in normal applications, there is no reason why larger DC voltages will be applied. This ‘absolute maximum’ specification is intended to be a DC or continuous ratings and the nominal DC I²C-bus voltage LOW usually does not even reach 0 V. Inside P82B96 at every pin there is a large protective diode connected to the GND pin and that diode will start to conduct when the pin voltage is more than about -0.55 V with respect to GND at 25 °C ambient.

[Figure 20](#) shows the measured characteristic for one of those diodes inside P82B96. The plot was made using a curve tracer that applies 50 Hz mains voltage via a series resistor, so the pulse durations are long duration (several milliseconds) and are reaching peaks of over 2 A when more than -1.5 V is applied. The IC becomes very hot during this testing but it was not damaged. Whenever there is current flowing in any of these diodes it is possible that there can be faulty operation of any IC. For that reason we put a specification on the negative voltage that is allowed to be applied. It is selected so that, at the highest allowed junction temperature, there will be a big safety factor that guarantees the diode will not conduct and then we do not need to make any 100 % production tests to guarantee the published specification.

For the P82B96, in specific applications, there will always be transient overshoot and ringing on the wiring that can cause these diodes to conduct. Therefore we designed the IC to withstand those transients and as a part of the qualification procedure we made tests, using DC currents to more than twice the normal bus sink currents, to be sure that the IC was not affected by those currents. For example, the Tx/Ty and Rx/Ry pins were tested to at least -80 mA which, from [Figure 20](#), would be more than -0.8 V. The correct functioning of the P82B96 is not affected even by those large currents. The Absolute Maximum (DC) ratings are not intended to apply to transients but to steady state conditions. This explains why you will never see any problems in practice even if, during transients, more than -0.3 V is applied to the bus interface pins of P82B96.

[Figure 20](#) also explains how the general Absolute Maximum DC specification was selected. The current at 25 °C is near zero at -0.55 V. The P82B96 is allowed to operate with +125 °C junction and that would cause this diode voltage to decrease by 100 × 2 mV = 200 mV. So for zero current we need to specify -0.35 V and we publish -0.3 V just to have some extra margin.

Remark: You should not be concerned about the **transients** generated on the wiring by a P82B96 in normal applications and that is input to the Tx/Rx or Ty/Ry pins of another P82B96. Because not all ICs that may be driven by P82B96 are designed to tolerate negative transients, in [Section 10.2.1](#) we show they can be managed if required.

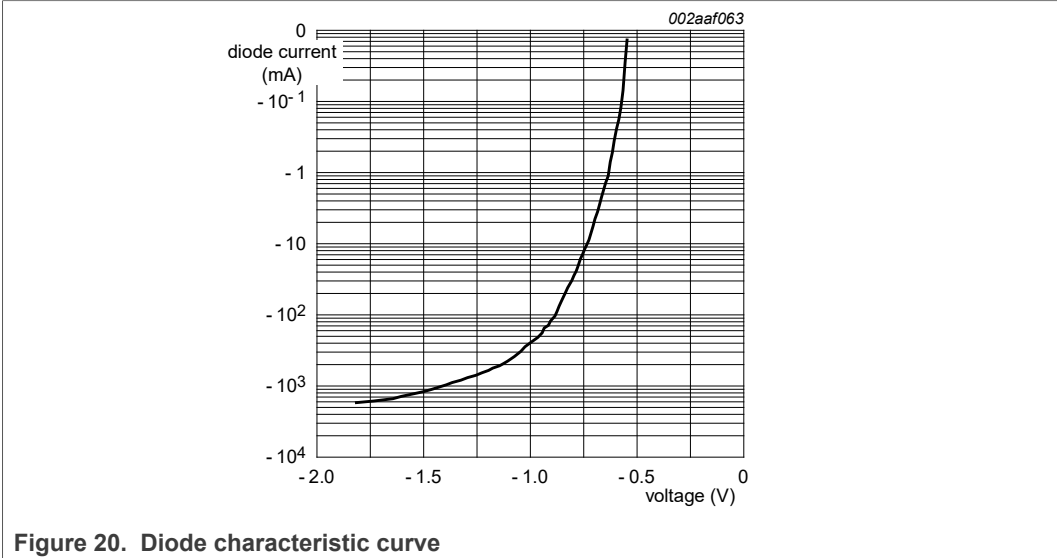


Figure 20. Diode characteristic curve

10.2.1 Example with questions and answers

Question: On a falling edge of Tx we measure undershoot at -800 mV at the linked Tx, Rx pins of the P82B96 that is generating the LOW, but the P82B96 data sheet specifies minimum -0.3 V. Does this mean that we violate the data sheet absolute value?

Answer: For P82B96 the -0.3 V Absolute Maximum rating is not intended to apply to transients, it is a DC rating. As shown in [Figure 21](#), there is no theoretical reason for any undershoot at the IC that is driving the bus LOW and no significant undershoot should be observed when using reasonable care with the ground connection of the ‘scope. It is more likely that undershoot observed at a driving P82B96 is caused by local stray inductance and capacitance in the circuit and by the oscilloscope connections. As shown, undershoot will be generated by PCB traces, wiring, or cables driven by a P82B96 because the allowed value of the I²C-bus pull-up resistor generally is larger than that required to correctly terminate the wiring. In this example, with no IC connected at the end of the wiring, the undershoot is about 2 V.

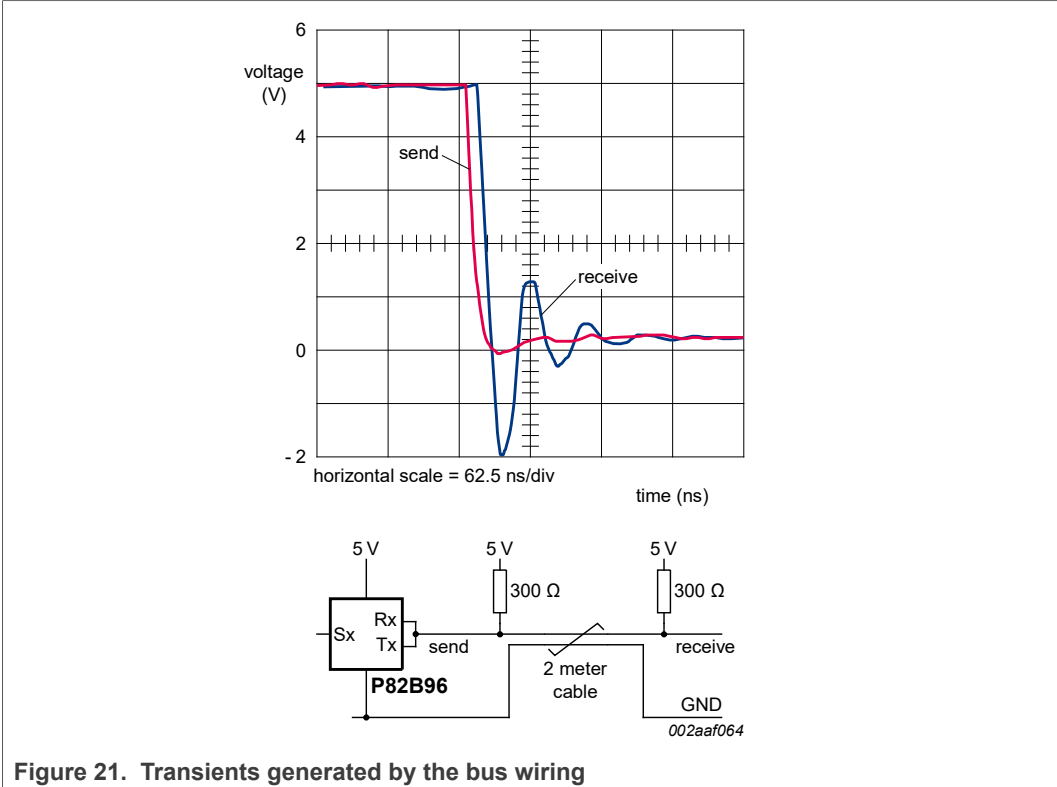


Figure 21. Transients generated by the bus wiring

Question: We have 2 meters of cable in a bus that joins the Tx/Rx sides of two P82B96 devices. When one Tx drives LOW the other P82B96 Tx/Rx is driven to -0.8 V for over 50 ns. What is the expected value and the theoretically allowed value of undershoot?

Answer: Because the cable joining the two P82B96s is a ‘transmission line’ that will have a characteristic impedance around 100 Ω and it will be terminated by pull-up resistors that are larger than that characteristic impedance there will always be negative undershoot generated. The duration of the undershoot is a function of the cable length and the input impedance of the connected IC. As shown in [Figure 22](#), the transient undershoot will be limited, by the diodes inside P82B96, to around -0.8 V and that will not cause problems for P82B96. Those transients will **not** be passed inside the IC to the Sx/Sy side of the IC.

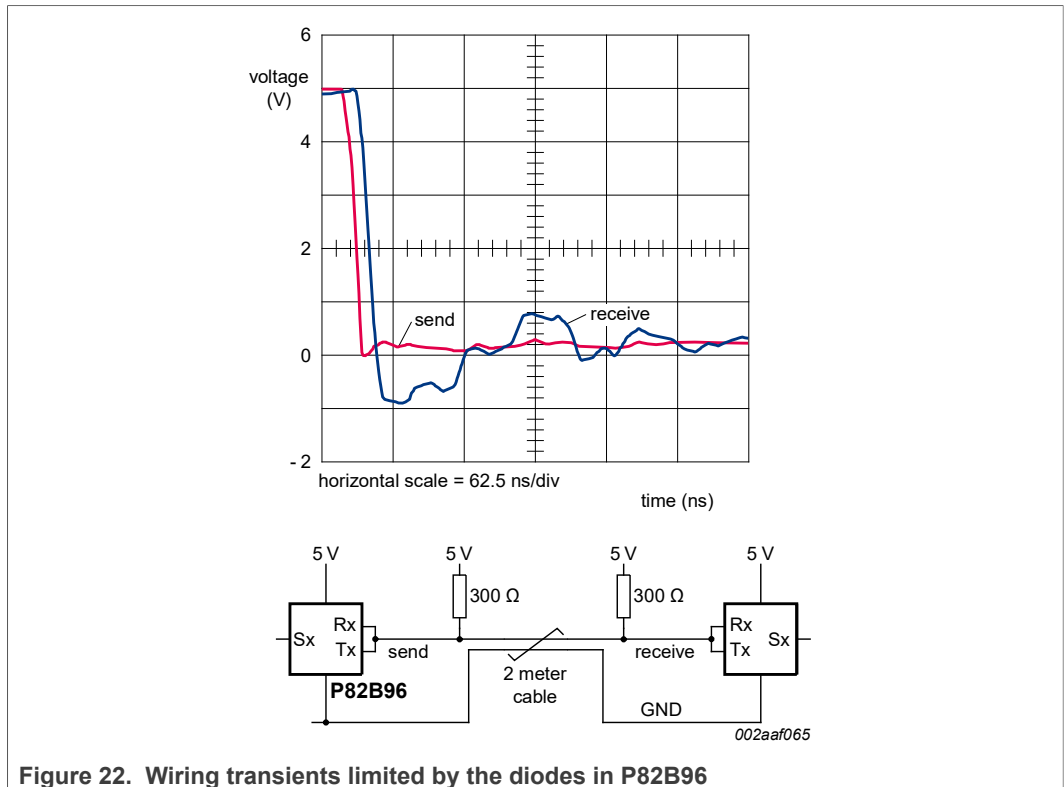


Figure 22. Wiring transients limited by the diodes in P82B96

Question: If we input 800 mV undershoot at Tx, Rx pins, what kind of problem is expected?

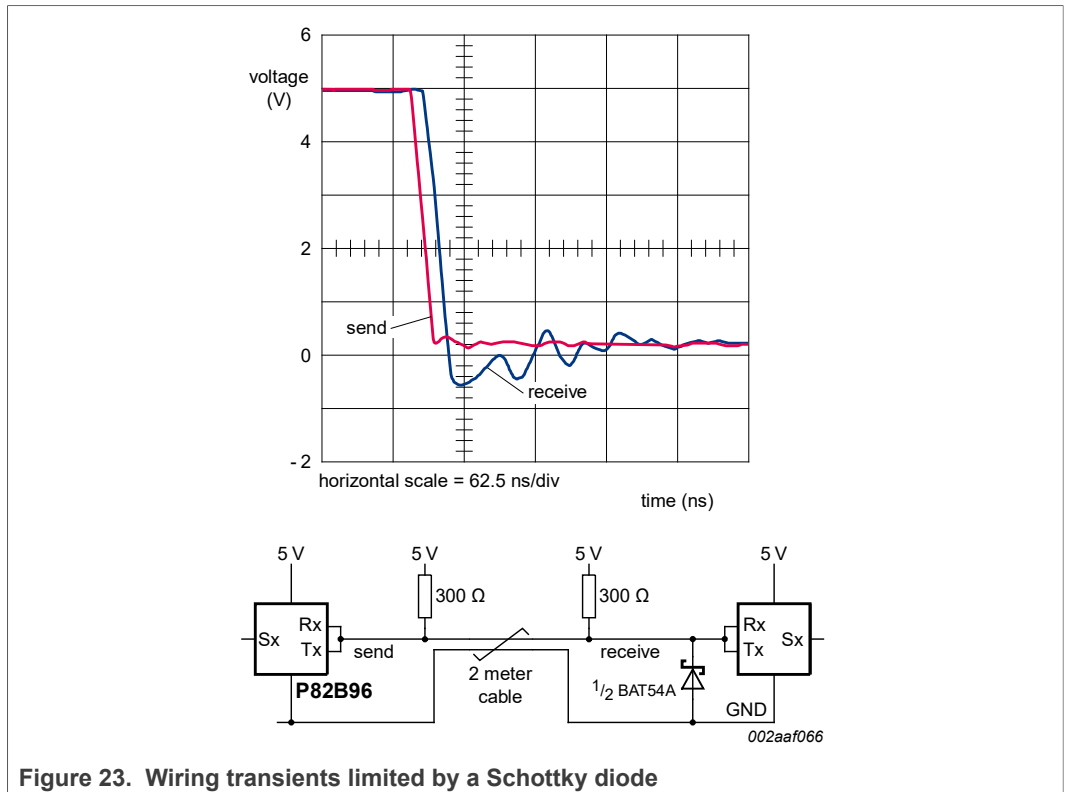
Answer: When that undershoot is generated by another P82B96 and is simply the result of the system wiring, then there will be no problems.

Question: Will we have any functional problem or reliability problem?

Answer: No.

Question: If we add 100 Ω to 200 Ω at signal line, the overshoot becomes slightly smaller. Is this a good idea?

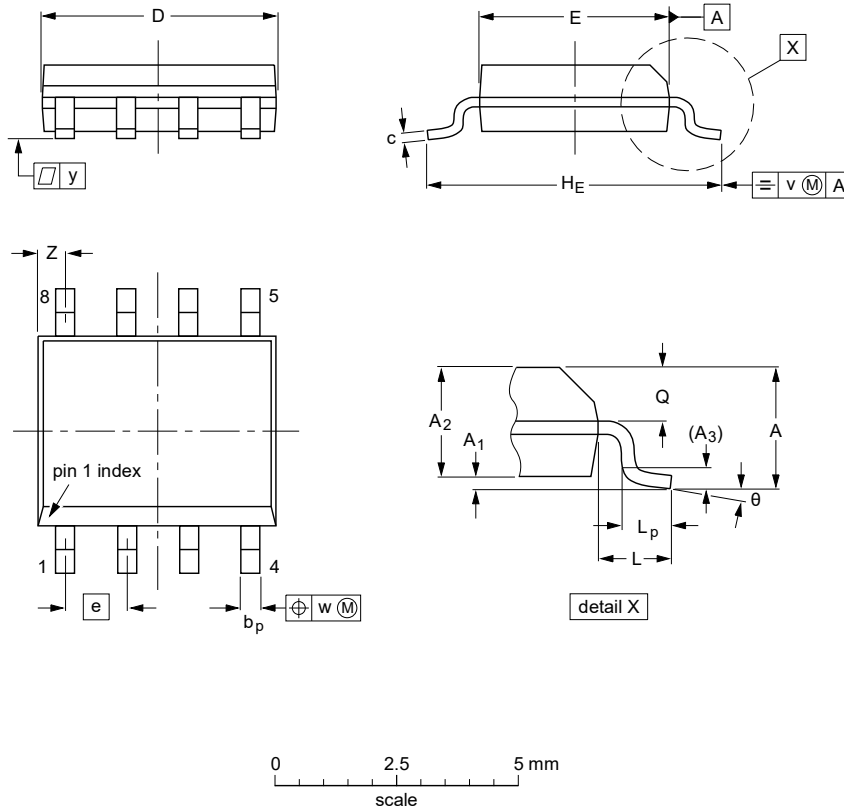
Answer: No, it is not necessary to add any resistance. When the logic signal generated by Tx or Ty of P82B96 drives long traces or wiring with ICs other than P82B96 being driven, then adding a Schottky diode (BAT54A) as shown in [Figure 23](#) will clamp the wiring undershoot to a value that will not cause conduction of the IC's internal diodes.



11 Package outline

SO8: plastic small outline package; 8 leads; body width 3.9 mm

SOT96-1



DIMENSIONS (inch dimensions are derived from the original mm dimensions)

UNIT	A max.	A ₁	A ₂	A ₃	b _p	c	D ⁽¹⁾	E ⁽²⁾	e	H _E	L	L _p	Q	v	w	y	Z ⁽¹⁾	θ
mm	1.75	0.25 0.10	1.45 1.25	0.25	0.49 0.36	0.25 0.19	5.0 4.8	4.0 3.8	1.27	6.2 5.8	1.05	1.0 0.4	0.7 0.6	0.25	0.25	0.1	0.7 0.3	8° 0°
inches	0.069	0.010 0.004	0.057 0.049	0.01	0.019 0.014	0.0100 0.0075	0.20 0.19	0.16 0.15	0.05	0.244 0.228	0.041	0.039 0.016	0.028 0.024	0.01	0.01	0.004	0.028 0.012	

Notes

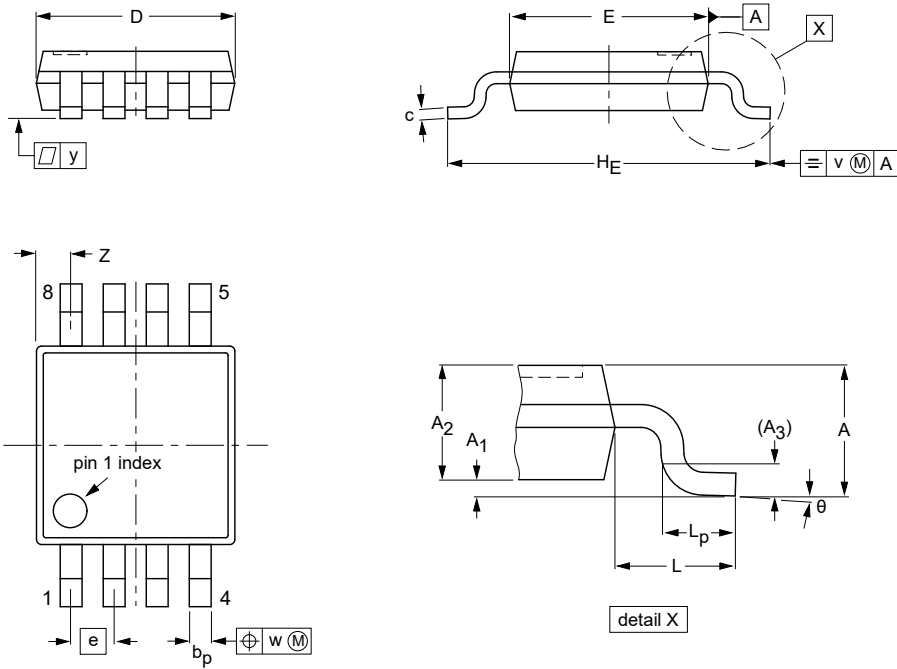
1. Plastic or metal protrusions of 0.15 mm (0.006 inch) maximum per side are not included.
2. Plastic or metal protrusions of 0.25 mm (0.01 inch) maximum per side are not included.

OUTLINE VERSION	REFERENCES			EUROPEAN PROJECTION	ISSUE DATE
	IEC	JEDEC	JEITA		
SOT96-1	076E03	MS-012			99-12-27 03-02-18

Figure 24. Package outline SOT96-1 (SO8)

TSSOP8: plastic thin shrink small outline package; 8 leads; body width 3 mm

SOT505-1



DIMENSIONS (mm are the original dimensions)

UNIT	A max.	A ₁	A ₂	A ₃	b _p	c	D ⁽¹⁾	E ⁽²⁾	e	H _E	L	L _p	v	w	y	Z ⁽¹⁾	θ
mm	1.1	0.15 0.05	0.95 0.80	0.25	0.45 0.25	0.28 0.15	3.1 2.9	3.1 2.9	0.65	5.1 4.7	0.94	0.7 0.4	0.1	0.1	0.1	0.70 0.35	6° 0°

- Notes**
1. Plastic or metal protrusions of 0.15 mm maximum per side are not included.
 2. Plastic or metal protrusions of 0.25 mm maximum per side are not included.

OUTLINE VERSION	REFERENCES				EUROPEAN PROJECTION	ISSUE DATE
	IEC	JEDEC	JEITA			
SOT505-1						99-04-09 03-02-18

Figure 25. Package outline SOT505-1 (TSSOP8)

12 Soldering of SMD packages

This text provides a very brief insight into a complex technology. A more in-depth account of soldering ICs can be found in Application Note AN10365 “Surface mount reflow soldering description”.

12.1 Introduction to soldering

Soldering is one of the most common methods through which packages are attached to Printed Circuit Boards (PCBs), to form electrical circuits. The soldered joint provides both the mechanical and the electrical connection. There is no single soldering method that is ideal for all IC packages. Wave soldering is often preferred when through-hole and Surface Mount Devices (SMDs) are mixed on one printed wiring board; however, it is not suitable for fine pitch SMDs. Reflow soldering is ideal for the small pitches and high densities that come with increased miniaturization.

12.2 Wave and reflow soldering

Wave soldering is a joining technology in which the joints are made by solder coming from a standing wave of liquid solder. The wave soldering process is suitable for the following:

- Through-hole components
- Leaded or leadless SMDs, which are glued to the surface of the printed circuit board

Not all SMDs can be wave soldered. Packages with solder balls, and some leadless packages which have solder lands underneath the body, cannot be wave soldered. Also, leaded SMDs with leads having a pitch smaller than ~0.6 mm cannot be wave soldered, due to an increased probability of bridging.

The reflow soldering process involves applying solder paste to a board, followed by component placement and exposure to a temperature profile. Leaded packages, packages with solder balls, and leadless packages are all reflow solderable.

Key characteristics in both wave and reflow soldering are:

- Board specifications, including the board finish, solder masks and vias
- Package footprints, including solder thieves and orientation
- The moisture sensitivity level of the packages
- Package placement
- Inspection and repair
- Lead-free soldering versus SnPb soldering

12.3 Wave soldering

Key characteristics in wave soldering are:

- Process issues, such as application of adhesive and flux, clinching of leads, board transport, the solder wave parameters, and the time during which components are exposed to the wave
- Solder bath specifications, including temperature and impurities

12.4 Reflow soldering

Key characteristics in reflow soldering are:

- Lead-free versus SnPb soldering; note that a lead-free reflow process usually leads to higher minimum peak temperatures (see [Figure 26](#)) than a SnPb process, thus reducing the process window
- Solder paste printing issues including smearing, release, and adjusting the process window for a mix of large and small components on one board
- Reflow temperature profile; this profile includes preheat, reflow (in which the board is heated to the peak temperature) and cooling down. It is imperative that the peak temperature is high enough for the solder to make reliable solder joints (a solder paste characteristic). In addition, the peak temperature must be low enough that the packages and/or boards are not damaged. The peak temperature of the package depends on package thickness and volume and is classified in accordance with [Table 7](#) and [Table 8](#)

Table 7. SnPb eutectic process (from J-STD-020D)

Package thickness (mm)	Package reflow temperature (°C)	
	Volume (mm ³)	
	< 350	≥ 350
< 2.5	235	220
≥ 2.5	220	220

Table 8. Lead-free process (from J-STD-020D)

Package thickness (mm)	Package reflow temperature (°C)		
	Volume (mm ³)		
	< 350	350 to 2000	> 2000
< 1.6	260	260	260
1.6 to 2.5	260	250	245
> 2.5	250	245	245

Moisture sensitivity precautions, as indicated on the packing, must be respected at all times.

Studies have shown that small packages reach higher temperatures during reflow soldering, see [Figure 26](#).

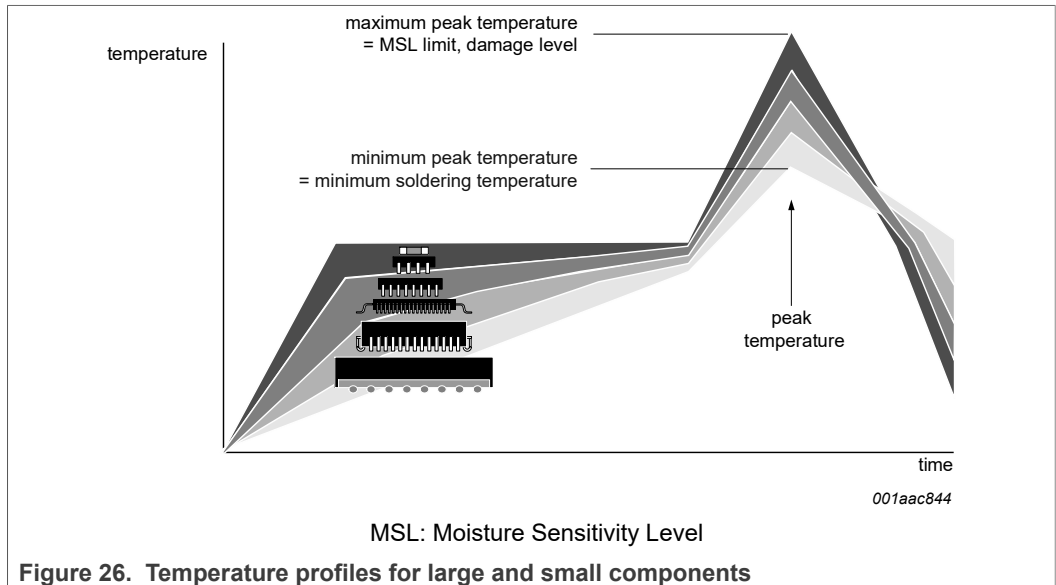


Figure 26. Temperature profiles for large and small components

For further information on temperature profiles, refer to Application Note AN10365 “Surface mount reflow soldering description”.

13 Soldering of through-hole mount packages

13.1 Introduction to soldering through-hole mount packages

This text gives a very brief insight into wave, dip and manual soldering.

Wave soldering is the preferred method for mounting of through-hole mount IC packages on a printed-circuit board.

13.2 Soldering by dipping or by solder wave

Driven by legislation and environmental forces the worldwide use of lead-free solder pastes is increasing. Typical dwell time of the leads in the wave ranges from 3 seconds to 4 seconds at 250 °C or 265 °C, depending on solder material applied, SnPb or Pb-free respectively.

The total contact time of successive solder waves must not exceed 5 seconds.

The device may be mounted up to the seating plane, but the temperature of the plastic body must not exceed the specified maximum storage temperature ($T_{stg(max)}$). If the printed-circuit board has been pre-heated, forced cooling may be necessary immediately after soldering to keep the temperature within the permissible limit.

13.3 Manual soldering

Apply the soldering iron (24 V or less) to the lead(s) of the package, either below the seating plane or not more than 2 mm above it. If the temperature of the soldering iron bit is less than 300 °C it may remain in contact for up to 10 seconds. If the bit temperature is between 300 °C and 400 °C, contact may be up to 5 seconds.

13.4 Package related soldering information

Table 9. Suitability of through-hole mount IC packages for dipping and wave soldering

Package	Soldering method	
	Dipping	Wave
CPGA, HCPGA	-	suitable
DBS, DIP, HDIP, RDBS, SDIP, SIL	suitable	suitable ^[1]
PMFP ^[2]	-	not suitable

[1] For SDIP packages, the longitudinal axis must be parallel to the transport direction of the printed-circuit board.

[2] For PMFP packages hot bar soldering or manual soldering is suitable.

14 Abbreviations

Table 10. Abbreviations

Acronym	Description
CDM	Charged Device Model
DDC	Display Data Channel
ESD	ElectroStatic Discharge
HBM	Human Body Model
IC	Integrated Circuit
I ² C-bus	Inter IC bus
SMBus	System Management Bus

15 Revision history

Table 11. Revision history

Document ID	Release date	Data sheet status	Change notice	Supersedes
P82B96 v8.1	20211220	Product data sheet	-	P82B96_8
Modifications:	<ul style="list-style-type: none"> The format of this data sheet has been redesigned to comply with the new identity guidelines of NXP Semiconductors. Legal texts have been adapted to the new company name where appropriate. Removed DIP package Added P82B96DPZ orderable part number 			
P82B96_8	20091110	Product data sheet	-	P82B96_7
P82B96_7	20090212	Product data sheet	-	P82B96_6
P82B96_6	20080131	Product data sheet	-	P82B96_5
P82B96_5	20060127	Product data sheet	-	P82B96_4
P82B96_4 (9397 750 12932)	20040329	Product data	-	P82B96_3
P82B96_3 (9397 750 11351)	20030402	Product data	853-2241 29602 of 2003 Feb 28	P82B96_2

Table 11. Revision history...continued

Document ID	Release date	Data sheet status	Change notice	Supersedes
P82B96_2 (9397 750 11093)	20030220	Product data	853-2241 29410 of 2003 Jan 22	P82B96_1
P82B96_1 (9397 750 08122)	20010306	Product data	853-2241 25758 of 2001 Mar 06	-

16 Legal information

16.1 Data sheet status

Document status ^{[1][2]}	Product status ^[3]	Definition
Objective [short] data sheet	Development	This document contains data from the objective specification for product development.
Preliminary [short] data sheet	Qualification	This document contains data from the preliminary specification.
Product [short] data sheet	Production	This document contains the product specification.

[1] Please consult the most recently issued document before initiating or completing a design.

[2] The term 'short data sheet' is explained in section "Definitions".

[3] The product status of device(s) described in this document may have changed since this document was published and may differ in case of multiple devices. The latest product status information is available on the Internet at URL <http://www.nxp.com>.

16.2 Definitions

Draft — A draft status on a document indicates that the content is still under internal review and subject to formal approval, which may result in modifications or additions. NXP Semiconductors does not give any representations or warranties as to the accuracy or completeness of information included in a draft version of a document and shall have no liability for the consequences of use of such information.

Short data sheet — A short data sheet is an extract from a full data sheet with the same product type number(s) and title. A short data sheet is intended for quick reference only and should not be relied upon to contain detailed and full information. For detailed and full information see the relevant full data sheet, which is available on request via the local NXP Semiconductors sales office. In case of any inconsistency or conflict with the short data sheet, the full data sheet shall prevail.

Product specification — The information and data provided in a Product data sheet shall define the specification of the product as agreed between NXP Semiconductors and its customer, unless NXP Semiconductors and customer have explicitly agreed otherwise in writing. In no event however, shall an agreement be valid in which the NXP Semiconductors product is deemed to offer functions and qualities beyond those described in the Product data sheet.

16.3 Disclaimers

Limited warranty and liability — Information in this document is believed to be accurate and reliable. However, NXP Semiconductors does not give any representations or warranties, expressed or implied, as to the accuracy or completeness of such information and shall have no liability for the consequences of use of such information. NXP Semiconductors takes no responsibility for the content in this document if provided by an information source outside of NXP Semiconductors.

In no event shall NXP Semiconductors be liable for any indirect, incidental, punitive, special or consequential damages (including - without limitation - lost profits, lost savings, business interruption, costs related to the removal or replacement of any products or rework charges) whether or not such damages are based on tort (including negligence), warranty, breach of contract or any other legal theory.

Notwithstanding any damages that customer might incur for any reason whatsoever, NXP Semiconductors' aggregate and cumulative liability towards customer for the products described herein shall be limited in accordance with the Terms and conditions of commercial sale of NXP Semiconductors.

Right to make changes — NXP Semiconductors reserves the right to make changes to information published in this document, including without limitation specifications and product descriptions, at any time and without notice. This document supersedes and replaces all information supplied prior to the publication hereof.

Suitability for use — NXP Semiconductors products are not designed, authorized or warranted to be suitable for use in life support, life-critical or safety-critical systems or equipment, nor in applications where failure or malfunction of an NXP Semiconductors product can reasonably be expected to result in personal injury, death or severe property or environmental damage. NXP Semiconductors and its suppliers accept no liability for inclusion and/or use of NXP Semiconductors products in such equipment or applications and therefore such inclusion and/or use is at the customer's own risk.

Applications — Applications that are described herein for any of these products are for illustrative purposes only. NXP Semiconductors makes no representation or warranty that such applications will be suitable for the specified use without further testing or modification.

Customers are responsible for the design and operation of their applications and products using NXP Semiconductors products, and NXP Semiconductors accepts no liability for any assistance with applications or customer product design. It is customer's sole responsibility to determine whether the NXP Semiconductors product is suitable and fit for the customer's applications and products planned, as well as for the planned application and use of customer's third party customer(s). Customers should provide appropriate design and operating safeguards to minimize the risks associated with their applications and products.

NXP Semiconductors does not accept any liability related to any default, damage, costs or problem which is based on any weakness or default in the customer's applications or products, or the application or use by customer's third party customer(s). Customer is responsible for doing all necessary testing for the customer's applications and products using NXP Semiconductors products in order to avoid a default of the applications and the products or of the application or use by customer's third party customer(s). NXP does not accept any liability in this respect.

Limiting values — Stress above one or more limiting values (as defined in the Absolute Maximum Ratings System of IEC 60134) will cause permanent damage to the device. Limiting values are stress ratings only and (proper) operation of the device at these or any other conditions above those given in the Recommended operating conditions section (if present) or the Characteristics sections of this document is not warranted. Constant or repeated exposure to limiting values will permanently and irreversibly affect the quality and reliability of the device.

Terms and conditions of commercial sale — NXP Semiconductors products are sold subject to the general terms and conditions of commercial sale, as published at <http://www.nxp.com/profile/terms>, unless otherwise agreed in a valid written individual agreement. In case an individual agreement is concluded only the terms and conditions of the respective agreement shall apply. NXP Semiconductors hereby expressly objects to applying the customer's general terms and conditions with regard to the purchase of NXP Semiconductors products by customer.

No offer to sell or license — Nothing in this document may be interpreted or construed as an offer to sell products that is open for acceptance or the grant, conveyance or implication of any license under any copyrights, patents or other industrial or intellectual property rights.

Quick reference data — The Quick reference data is an extract of the product data given in the Limiting values and Characteristics sections of this document, and as such is not complete, exhaustive or legally binding.

Export control — This document as well as the item(s) described herein may be subject to export control regulations. Export might require a prior authorization from competent authorities.

Suitability for use in non-automotive qualified products — Unless this data sheet expressly states that this specific NXP Semiconductors product is automotive qualified, the product is not suitable for automotive use. It is neither qualified nor tested in accordance with automotive testing or application requirements. NXP Semiconductors accepts no liability for inclusion and/or use of non-automotive qualified products in automotive equipment or applications.

In the event that customer uses the product for design-in and use in automotive applications to automotive specifications and standards, customer (a) shall use the product without NXP Semiconductors' warranty of the product for such automotive applications, use and specifications, and (b) whenever customer uses the product for automotive applications beyond NXP Semiconductors' specifications such use shall be solely at customer's own risk, and (c) customer fully indemnifies NXP Semiconductors for any liability, damages or failed product claims resulting from customer design and use of the product for automotive applications beyond NXP Semiconductors' standard warranty and NXP Semiconductors' product specifications.

Translations — A non-English (translated) version of a document is for reference only. The English version shall prevail in case of any discrepancy between the translated and English versions.

Security — Customer understands that all NXP products may be subject to unidentified vulnerabilities or may support established security standards or specifications with known limitations. Customer is responsible for the design and operation of its applications and products throughout their lifecycles to reduce the effect of these vulnerabilities on customer's applications and products. Customer's responsibility also extends to other open and/or proprietary technologies supported by NXP products for use in customer's applications. NXP accepts no liability for any vulnerability. Customer should regularly check security updates from NXP and follow up appropriately.

Customer shall select products with security features that best meet rules, regulations, and standards of the intended application and make the ultimate design decisions regarding its products and is solely responsible for compliance with all legal, regulatory, and security related requirements concerning its products, regardless of any information or support that may be provided by NXP.

NXP has a Product Security Incident Response Team (PSIRT) (reachable at PSIRT@nxp.com) that manages the investigation, reporting, and solution release to security vulnerabilities of NXP products.

16.4 Trademarks

Notice: All referenced brands, product names, service names, and trademarks are the property of their respective owners.

NXP — wordmark and logo are trademarks of NXP B.V.

Tables

Tab. 1.	Ordering information	2	Tab. 7.	SnPb eutectic process (from J-STD-020D)	25
Tab. 2.	Ordering options	2	Tab. 8.	Lead-free process (from J-STD-020D)	25
Tab. 3.	Pin description	3	Tab. 9.	Suitability of through-hole mount IC packages for dipping and wave soldering	27
Tab. 4.	Limiting values	5	Tab. 10.	Abbreviations	27
Tab. 5.	Characteristics	5	Tab. 11.	Revision history	27
Tab. 6.	Examples of bus capability	13			

Figures

Fig. 1.	Block diagram of P82B96	2	Fig. 14.	Falling edge of SCL at master is delayed by the buffers and bus fall times	14
Fig. 2.	Pin configuration for SO8	3	Fig. 15.	Rising edge of SCL at master is delayed (clock stretch) by buffer and bus rise times	14
Fig. 3.	Pin configuration for TSSOP8	3	Fig. 16.	Rising edge of SDA at slave is delayed by the buffers and bus rise times	15
Fig. 4.	VOL as a function of junction temperature (IOL = 0.2 mA)	8	Fig. 17.	I2C-bus multipoint application	16
Fig. 5.	VOL as a function of junction temperature (IOL = 3 mA)	8	Fig. 18.	Propagation Sx to Tx (Sx pull-up to 5 V; Tx pull-up to VCC = 10 V)	16
Fig. 6.	VIL(max) as a function of junction temperature	9	Fig. 19.	Propagation Rx to Sx (Sx pull-up to 5 V; Rx pull-up to VCC = 10 V)	17
Fig. 7.	VIH(min) as a function of junction temperature	9	Fig. 20.	Diode characteristic curve	18
Fig. 8.	VCC(max) that guarantees bus release limit over temperature	9	Fig. 21.	Transients generated by the bus wiring	19
Fig. 9.	Interfacing an 'I2C' type of bus with different logic levels	10	Fig. 22.	Wiring transients limited by the diodes in P82B96	20
Fig. 10.	Galvanic isolation of I2C-bus nodes via opto-couplers	10	Fig. 23.	Wiring transients limited by a Schottky diode	21
Fig. 11.	Long distance I2C-bus communications	10	Fig. 24.	Package outline SOT96-1 (SO8)	22
Fig. 12.	Extending a DDC bus	11	Fig. 25.	Package outline SOT505-1 (TSSOP8)	23
Fig. 13.	Driving ribbon or flat telephone cables	12	Fig. 26.	Temperature profiles for large and small components	26

Contents

1	General description	1
2	Features	1
3	Applications	1
4	Ordering information	2
4.1	Ordering options	2
5	Block diagram	2
6	Pinning information	3
6.1	Pinning	3
6.2	Pin description	3
7	Functional description	3
8	Limiting values	5
9	Characteristics	5
10	Application information	10
10.1	Calculating system delays and bus clock frequency for a Fast mode system	14
10.2	Negative undershoot below absolute minimum value	17
10.2.1	Example with questions and answers	18
11	Package outline	22
12	Soldering of SMD packages	24
12.1	Introduction to soldering	24
12.2	Wave and reflow soldering	24
12.3	Wave soldering	24
12.4	Reflow soldering	24
13	Soldering of through-hole mount packages	26
13.1	Introduction to soldering through-hole mount packages	26
13.2	Soldering by dipping or by solder wave	26
13.3	Manual soldering	26
13.4	Package related soldering information	27
14	Abbreviations	27
15	Revision history	27
16	Legal information	29

Please be aware that important notices concerning this document and the product(s) described herein, have been included in section 'Legal information'.

© NXP B.V. 2021.

All rights reserved.

For more information, please visit: <http://www.nxp.com>

For sales office addresses, please send an email to: salesaddresses@nxp.com

Date of release: 20 December 2021

Document identifier: P82B96