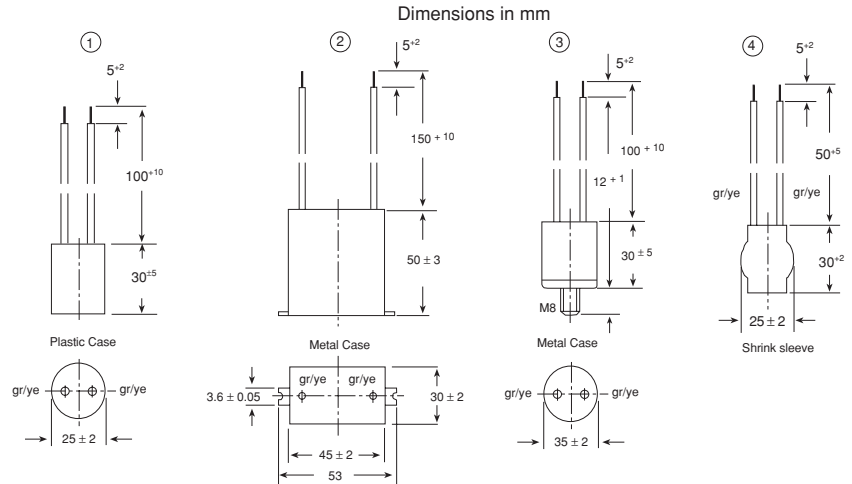


## Suppression Inductors, Non Fused Earthed Inductors (acc. to German Safety Regulations)

**TECHNICAL DATA:**

See page 111 (Document Number 27502)

**CIRCUIT DIAGRAM:**

**NOTE:**

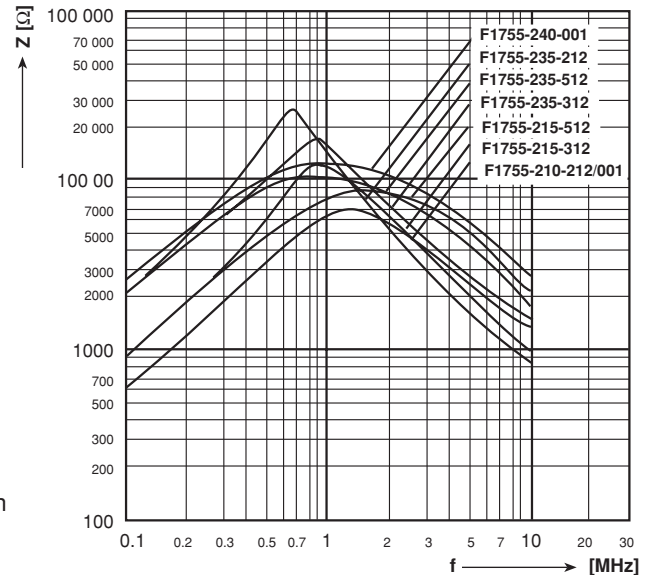
Due to safety requirements the wire size must be the same (or bigger) than the wire size used as the earth lead in the appliance.

According to VDE 0565 part 2, and VDE 0100 only the following are allowed:

1 mm <sup>2</sup> - 16 amps
1.5 mm <sup>2</sup> - 20 amps
2.5 mm <sup>2</sup> - 27 amps
4 mm <sup>2</sup> - 36 amps

These currents are non working currents - only according to wire cross section (VDE 0100).

Impedance (Z) as a function of frequency (f) at T<sub>a</sub> = 20°C (average).



WIRE CROSS-SECTION (mm <sup>2</sup> )	CURRENT (amps)	INDUCTANCE (mH)	DIMENSIONAL DIAGRAM	ORDERING CODE
1.0	16	3.5	1	F1755-235-212
1.0	16	4	4	F1755-240-001*
1.5	20	1	1	F1755-210-212
1.5	20	1	4	F1755-210-001*
1.5	20	3.5	3	F1755-235-312
2.5	27	1.5	3	F1755-215-312
2.5	27	3.5	2	F1755-235-512
4.0	36	1.5	2	F1755-215-512

\*Without VDE approval.



## Notice

Specifications of the products displayed herein are subject to change without notice. Vishay Intertechnology, Inc., or anyone on its behalf, assumes no responsibility or liability for any errors or inaccuracies.

Information contained herein is intended to provide a product description only. No license, express or implied, by estoppel or otherwise, to any intellectual property rights is granted by this document. Except as provided in Vishay's terms and conditions of sale for such products, Vishay assumes no liability whatsoever, and disclaims any express or implied warranty, relating to sale and/or use of Vishay products including liability or warranties relating to fitness for a particular purpose, merchantability, or infringement of any patent, copyright, or other intellectual property right.

The products shown herein are not designed for use in medical, life-saving, or life-sustaining applications. Customers using or selling these products for use in such applications do so at their own risk and agree to fully indemnify Vishay for any damages resulting from such improper use or sale.