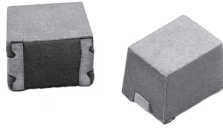




Surface Mount, Molded, Shielded Inductors



STANDARD ELECTRICAL SPECIFICATIONS						
IND. (μH)	TOL.	Q MIN.	TEST FREQ. L & Q (MHz)	SELF-RESONANT FREQ. MIN. (MHz)	DCR MAX. (Ohms)	RATED DC CURRENT (mA)
0.10	±20%	30	25.2	460.0	0.23	552
0.12	±20%	30	25.2	400.0	0.26	519
0.15	±20%	30	25.2	390.0	0.29	491
0.18	±20%	30	25.2	350.0	0.32	468
0.22	±20%	30	25.2	310.0	0.36	441
0.27	±20%	30	25.2	280.0	0.40	418
0.33	±20%	30	25.2	240.0	0.45	394
0.39	±20%	30	25.2	215.0	0.60	342
0.47	±20%	30	25.2	205.0	0.75	306
0.56	±20%	30	25.2	195.0	0.80	296
0.68	±20%	30	25.2	165.0	0.95	271
0.82	±20%	30	25.2	155.0	1.20	242
1.0	±10%	30	7.96	140.0	0.35	447
1.2	±10%	30	7.96	120.0	0.38	429
1.5	±10%	30	7.96	100.0	0.40	418
1.8	±10%	30	7.96	90.0	0.43	403
2.2	±10%	30	7.96	80.0	0.46	390
2.7	±10%	30	7.96	67.0	0.49	378
3.3	±10%	30	7.96	61.0	0.55	357
3.9	±10%	30	7.96	56.0	0.59	344
4.7	±10%	30	7.96	50.0	0.62	336
5.6	±10%	30	7.96	40.0	0.69	333
6.8	±10%	30	7.96	32.0	0.75	306
8.2	±10%	30	7.96	30.0	0.82	292
10.0	±10%	50	2.52	25.0	0.90	279
12.0	±10%	50	2.52	22.0	1.0	265
15.0	±10%	50	2.52	18.0	1.10	252
18.0	±10%	50	2.52	15.0	1.24	238
22.0	±10%	50	2.52	14.0	1.36	227
27.0	±10%	50	2.52	13.0	1.56	212
33.0	±10%	50	2.52	12.0	1.72	202
39.0	±10%	50	2.52	11.0	1.89	192
47.0	±10%	50	2.52	9.0	2.10	183
56.0	±10%	50	2.52	8.0	2.34	173
68.0	±10%	50	2.52	7.6	2.60	164
82.0	±10%	50	2.52	7.2	2.86	156
100.0	±10%	50	0.796	7.0	3.25	147
120.0	±10%	50	0.796	6.0	3.64	139
150.0	±10%	50	0.796	5.0	4.16	130
180.0	±10%	40	0.796	4.5	5.72	111
220.0	±10%	40	0.796	4.2	6.30	105
270.0	±10%	40	0.796	4.0	6.90	101
330.0	±10%	40	0.796	3.7	7.54	96
390.0	±10%	40	0.796	3.5	8.20	92
470.0	±10%	40	0.796	3.3	9.20	87
560.0	±10%	40	0.796	2.8	10.50	82
680.0	±10%	40	0.796	2.6	12.0	76
820.0	±10%	40	0.796	2.2	13.50	72
1000.0	±10%	40	0.252	2.0	16.0	66

FEATURES

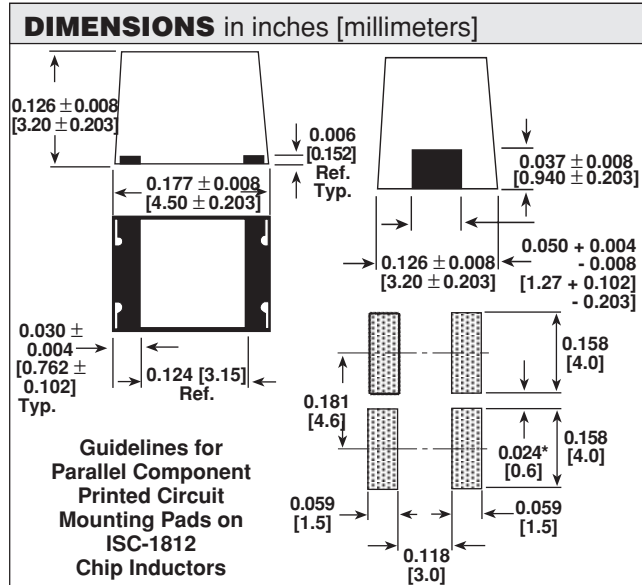
- Molded construction provides superior strength and moisture resistance.
- Tape and reel packaging for automatic handling, 2000/reel, EIA 481.
- Compatible with vapor phase and infrared reflow soldering.
- Shielded construction minimizes coupling to other components.

ELECTRICAL SPECIFICATIONS

Inductance Range: 0.10μH to 1000μH.
Inductance Tolerance: ± 20% for 0.10μH to 0.82μH. ± 10% for 1.0μH to 1000μH standard. ± 10%, ± 5%, ± 3% and 2% (also 1% on some values) available.
Temperature Range: - 55°C to + 125°C.
Coilform Material: Non-Magnetic for 0.10μH to 0.82μH. Powdered iron for 1.0μH to 22μH. Ferrite for 27μH to 1000μH.

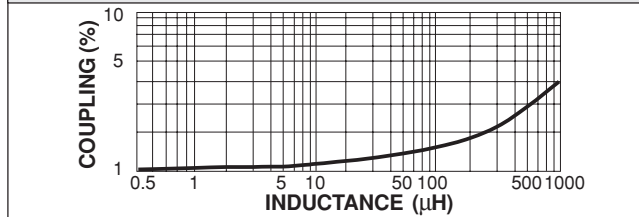
TEST EQUIPMENT

- H/P 4342A Q-meter with Vishay Dale test fixture or equivalent.
- H/P 4191A RF Impedance Analyzer (for SRF measurements).
- Wheatstone bridge.



*Recommended minimum spacing between components.

COUPLING SPECIFICATIONS [maximum]



PART MARKING

- Vishay Dale
- Inductance value
- Date code

DESCRIPTION

ISC-1812	10μH	± 10%
MODEL	INDUCTANCE VALUE	INDUCTANCE TOLERANCE

SAP PART NUMBERING GUIDELINES (INTERNAL)

