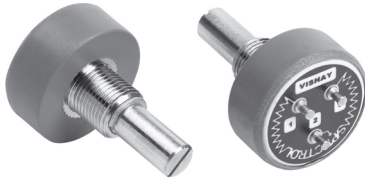




## 7/8" (22mm) Conductive Plastic Potentiometer



**Note:** The color of this product is changing to blue, during the internal period you may receive either black or blue.

### FEATURES

- 7/8" Diameter Single Turn
- Compact Size, Advanced Design Technology
- Offers a Cost Effective Solution to your Potentiometer Requirements

ELECTRICAL SPECIFICATIONS		
PARAMETER		
Resistance	Standard range, 1K $\Omega$ to 50K $\Omega$	
Tolerance	<b>STANDARD</b> $\pm 20\%$	<b>SPECIAL TO</b> $\pm 10\%$
Linearity (Independent)	<b>STANDARD</b> $\pm 2.0\%$	
Output Smoothness	0.1% maximum	
TCR	$\pm 600\text{ppm}/^\circ\text{C}$ maximum	
Power Rating	1.0 watt at 70 $^\circ\text{C}$ Derate to 0 watt at 125 $^\circ\text{C}$	
Electrical Travel	340 $^\circ \pm 3^\circ$	
End Voltage	0.5% maximum	
Dielectric Withstanding Voltage	1,000V <sub>RMS</sub> , 60Hz	
Insulation Resistance	1000M $\Omega$ , 500VDC	

MECHANICAL SPECIFICATIONS	
PARAMETER	
Rotation	360 $^\circ$ continuous (optional mechanical stops 340 $^\circ \pm 3^\circ$ )
Mounting	3/8 - 32 UNEF - 2A
Operating Torque Maximum	Starting and running 3.68mNm (0.5 oz - in)
Shaft Tolerance Maximum	
Runout	0.13mm (0.05 in)
End Play	0.25mm (0.010 in)
Radial Play	0.13mm (0.005 in)
Weight	17.5gms (0.62 oz)

ORDERING INFORMATION					
357	0	3	0 P 22	XXX	
MODEL	FEATURES	RT & INDEPENDENT LINEARITY	SHAFT TYPE	STANDARD VALUES $\Omega$	
				RES CODE	VALUE
0	Non turn pin & continuous rotation	0 = 20% Rt Tol., 2% 1 = 20% Rt Tol., 1%	Shaft diameter - 0 = 6.0 mm or 1 = 6.35 (1/4")	102	1K
1	No non turn pin & continuous rotation	2 = 10% Rt Tol., 2% 3 = 10% Rt Tol., 1%	Shaft type - P = plain S = slotted FMF (from Mounting face)	202	2K
2	Non turn pin, with stops on rotation		Range from 12mm to 75mm in 1mm increments	502	5K
				103	10K
3	No non turn pin with stops on rotation			203	20K
				503	50K

Example: 357 - 0 - 1 - 0P22 - XXX

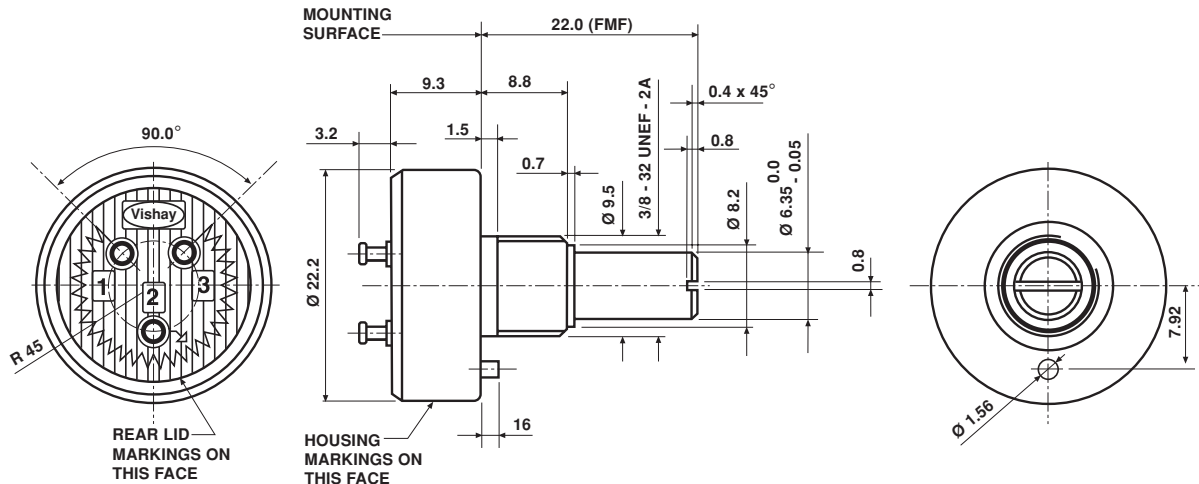
# Model 357

Vishay Spectrol 7/8" (22mm) Conductive Plastic Potentiometer

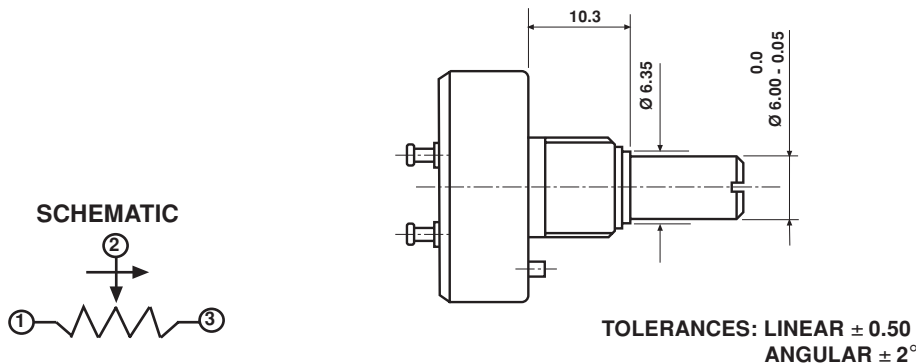


## DIMENSIONS in millimeters

### Ø 6.35mm SHAFT VERSION



### Ø 6.0mm SHAFT VARIATION



ENVIRONMENTAL SPECIFICATIONS	
Vibration	15g, 10 to 2,000Hz
Shock	50g
Load Life	1000 hours
Storage Temperature Range	- 55°C to + 125 °C
Rotational Life (Electrical)	5,000,000 Shaft Revolutions
Materials:	
Housing:	Thermoplastic Housing
Bushing:	Brass, nickel plated
Rear Lid:	Alumina
Shaft:	Stainless steel
Terminals:	Turret type, solder plated
Bushing Mount Hardware	
Lockwasher Internal Tooth:	Steel, nickel plated
Panel Nut:	Brass, nickel plated

MARKING	
Unit Identification	Manufacturer's name and model number, resistance value and tolerance, linearity specification date code and terminal identification

RESISTANCE VALUES	
Ohms	1K, 2K, 5K, 10K, 20K, 50K



## Notice

Specifications of the products displayed herein are subject to change without notice. Vishay Intertechnology, Inc., or anyone on its behalf, assumes no responsibility or liability for any errors or inaccuracies.

Information contained herein is intended to provide a product description only. No license, express or implied, by estoppel or otherwise, to any intellectual property rights is granted by this document. Except as provided in Vishay's terms and conditions of sale for such products, Vishay assumes no liability whatsoever, and disclaims any express or implied warranty, relating to sale and/or use of Vishay products including liability or warranties relating to fitness for a particular purpose, merchantability, or infringement of any patent, copyright, or other intellectual property right.

The products shown herein are not designed for use in medical, life-saving, or life-sustaining applications. Customers using or selling these products for use in such applications do so at their own risk and agree to fully indemnify Vishay for any damages resulting from such improper use or sale.