

1 pC Charge Injection, 100 pA Leakage, Quad SPST Switches

DESCRIPTION

The DG611A, DG612A and DG613A contain four independently selectable SPST switches. They offer improved performance over the industry standard DG611 series. The DG611A and DG612A have all switches normally closed and normally open respectively, while the DG613A has 2 normally open and 2 normally closed switches.

They are designed to operate from a 2.7 V to 12 V single supply or from ± 2.7 V to ± 5 V dual supplies and are fully specified at +3 V, +5 V and ± 5 V. All control logic inputs have guaranteed 2 V logic high limits when operating from +5 V or ± 5 V supplies and 1.4 V when operating from a +3 V supply. The DG611A, DG612A and DG613A switches conduct equally well in both directions and offer rail to rail analog signal handling.

1 pC low charge injection, coupled with very low switch capacitance: 2 pF, fast switching speed: t_{on}/t_{off} 27 ns/16 ns and excellent 3 dB bandwidth: 720 MHz, make these products ideal for precision instrumentation, high-end data acquisition, automated test equipment and high speed communication applications.

Operation temperature is specified from -40 °C to +125 °C.

The DG611A, DG612A and DG613A are available in 16 lead SOIC, TSSOP and the space saving 1.8 mm x 2.6 mm miniQFN packages.

FEATURES

- Halogen-free according to IEC 61249-2-21

Definition

- Low charge injection (1 pC typ.)
- Leakage current < 0.25 nA at 85 °C
- Low switch capacitance (C_{soff} 2 pF typ.)
- Low $R_{DS(on)}$ - 115 Ω max.
- Fully specified with single supply operation at 3 V, 5 V and dual supplies at ± 5 V
- Low voltage, 2.5 V CMOS/TTL compatible
- 720 MHz, 3 dB bandwidth
- Excellent isolation performance (62 dB at 10 MHz)
- Excellent crosstalk performance (90 dB at 10 MHz)
- Fully specified from -40 °C to +85 °C and -40 °C to +125 °C
- 16 lead SOIC, TSSOP and miniQFN package (1.8 mm x 2.6 mm)
- Compliant to RoHS Directive 2002/95/EC

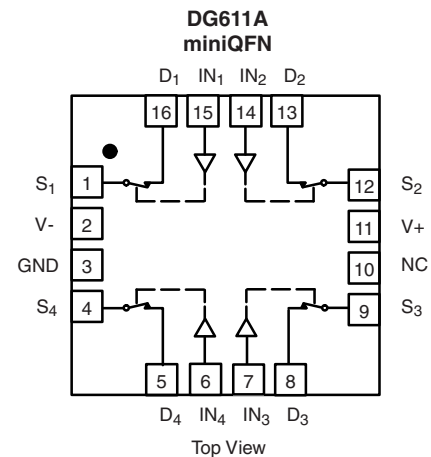
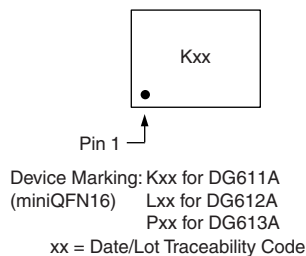
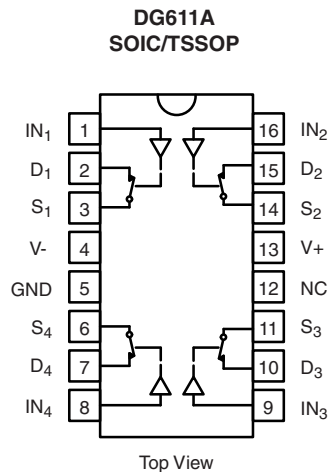


RoHS
COMPLIANT
HALOGEN
FREE

APPLICATIONS

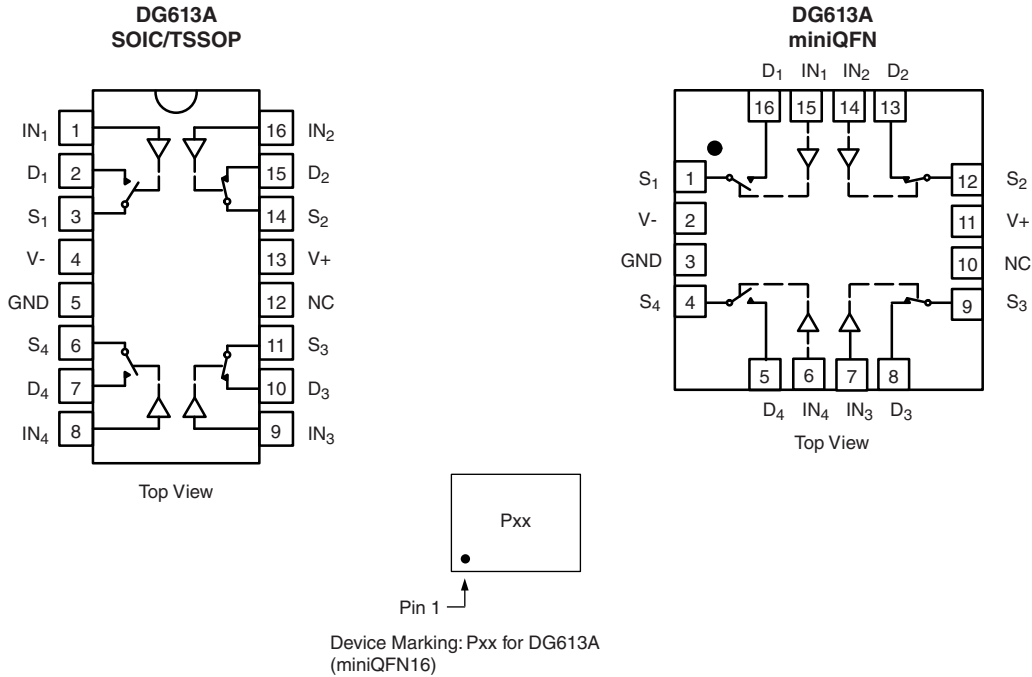
- Precision instrumentation
- Medical instrumentation
- Automated test equipment
- High speed communications applications
- High-end data acquisition
- Sample and hold applications
- Sample and hold systems

FUNCTIONAL BLOCK DIAGRAM AND PIN CONFIGURATION



TRUTH TABLE		
Logic	DG611A	DG612A
0	On	Off
1	Off	On

FUNCTIONAL BLOCK DIAGRAM AND PIN CONFIGURATION



TRUTH TABLE

Logic	SW ₁ , SW ₄	SW ₂ , SW ₃
0	Off	On
1	On	Off

ORDERING INFORMATION

Temp. Range	Package	Part Number
DG611A, DG612A, DG613A		
- 40 °C to 125 °C ^a	16-pin TSSOP	DG611AEQ-T1-E3 DG612AEQ-T1-E3 DG613AEQ-T1-E3
	16-pin Narrow SOIC	DG611AEY-T1-E3 DG612AEY-T1-E3 DG613AEY-T1-E3
	16-pin miniQFN	DG611AEN-T1-E4 DG612AEN-T1-E4 DG613AEN-T1-E4

Notes:

a. - 40 °C to 85 °C datasheet limits apply.



ABSOLUTE MAXIMUM RATINGS ($T_A = 25\text{ }^\circ\text{C}$, unless otherwise noted)		
Parameter	Limit	Unit
V + to V -	14	V
GND to V -	7	
Digital Inputs ^a , V_S , V_D	(V -) - 0.3 V to (V +) + 0.3 V or 30 mA, whichever occurs first	
Continuous Current (Any Terminal)	30	mA
Peak Current, S or D (Pulsed 1 ms, 10 % Duty Cycle)	100	
Storage Temperature	- 65 to 150	$^\circ\text{C}$
Power Dissipation (Package) ^b	16-pin TSSOP ^c	450
	16-pin miniQFN ^d	525
	16-pin Narrow SOIC ^e	640
Thermal Resistance (Package) ^b	16-pin TSSOP	178
	16-pin miniQFN	152
	16-pin Narrow SOIC	125

Notes:

- Signals on SX, DX, or INX exceeding V + or V - will be clamped by internal diodes. Limit forward diode current to maximum current ratings.
- All leads welded or soldered to PC Board.
- Derate 5.6 mW/ $^\circ\text{C}$ above 70 $^\circ\text{C}$.
- Derate 6.6 mW/ $^\circ\text{C}$ above 70 $^\circ\text{C}$.
- Derate 8 mW/ $^\circ\text{C}$ above 70 $^\circ\text{C}$.
- Manual soldering with iron is not recommended for leadless components. The miniQFN-16 is a leadless package. The end of the lead terminal is exposed copper (not plated) as a result of the singulation process in manufacturing. A solder fillet at the exposed copper lip cannot be guaranteed and is not required to ensure adequate bottom side solder interconnection.

SPECIFICATIONS FOR DUAL SUPPLIES (V ₊ = +5 V, V ₋ = -5 V)									
Parameter	Symbol	Test Conditions Unless Otherwise Specified V ₊ = +5 V, V ₋ = -5 V V _{IN} = 2 V, 0.8 V ^a	Temp. ^b	Typ. ^c	-40 °C to 125 °C		-40 °C to 85 °C		Unit
					Min. ^d	Max. ^d	Min. ^d	Max. ^d	
Analog Switch									
Analog Signal Range ^e	V _{ANALOG}		Full		-5	5	-5	5	V
On-Resistance	R _{ON}	I _S = 1 mA, V _D = -3 V, 0 V, +3 V	Room Full	72		115 160		115 140	Ω
On-Resistance Match	ΔR _{ON}	I _S = 1 mA, V _D = ±3 V	Room Full	0.7		4 6.5		4 5.5	
On-Resistance Flatness	R _{FLATNESS}	I _S = 1 mA, V _D = -3 V, 0 V, +3 V	Room Full	25		40 60		40 55	
Switch Off Leakage Current	I _{S(off)}	V ₊ = 5.5 V, V ₋ = -5.5 V V _D = +4.5 V/-4.5 V V _S = -4.5 V/+4.5 V	Room Full	±0.02	-0.1 -2	0.1 2	-0.1 -0.25	0.1 0.25	nA
	I _{D(off)}		Room Full	±0.02	-0.1 -2	0.1 2	-0.1 -0.25	0.1 0.25	
Switch On Leakage Current	I _{D(on)}	V ₊ = 5.5 V, V ₋ = -5.5 V V _D = V _S = ±4.5 V	Room Full	±0.02	-0.1 -6	0.1 6	-0.1 -0.25	0.1 0.25	
Digital Control									
Input Current, V _{IN} Low	I _{IL}	V _{IN} Under Test = 0.8 V	Full	0.005	-0.1	0.1	-0.1	0.1	μA
Input Current, V _{IN} High	I _{IH}	V _{IN} Under Test = 2 V	Full	0.005	-0.1	0.1	-0.1	0.1	
Input Capacitance ^e	C _{IN}	f = 1 MHz	Room	2					pF
Dynamic Characteristics									
Turn-On Time	t _{ON}	R _L = 300 Ω, C _L = 35 pF V _S = ±3 V, see figure 1	Room Full	27		55 90		55 75	ns
Turn-Off Time	t _{OFF}		Room Full	16		35 50		35 45	
Break-Before-Make Time Delay	t _{BBM}	DG613A only, V _S = 3 V R _L = 300 Ω, C _L = 35 pF	Room Full	15	2		2		
Charge Injection ^e	Q	V _g = 0 V, R _g = 0 Ω, C _L = 1 nF	Room	1					pC
Off Isolation ^e	OIRR	R _L = 50 Ω, C _L = 5 pF f = 10 MHz	Room	-62					dB
Channel-to-Channel Crosstalk ^e	X _{TALK}		Room	-90					
3 dB Bandwidth ^e	BW	R _L = 50 Ω, C _L = 5 pF	Room	720					MHz
Source Off Capacitance ^e	C _{S(off)}	f = 1 MHz; V _S = 0 V	Room	2					pF
Drain Off Capacitance ^e	C _{D(off)}		Room	3					
Drain On Capacitance ^e	C _{D(on)}		f = 1 MHz; V _S = V _D = 0 V	Room	9				
Total Harmonic Distortion ^e	THD	Signal = 1 V _{RMS} , 20 Hz to 20 kHz, R _L = 600 Ω	Room	0.01					%
Power Supplies									
Power Supply Current	I ₊	V ₊ = +5 V, V ₋ = -5 V V _{IN} = 0 V or 5 V	Room Full	0.001		0.1 1		0.1 1	μA
Negative Supply Current	I ₋		Room Full	-0.001	-0.1 -1		-0.1 -1		
Ground Current	I _{GND}		Room Full	-0.001	-0.1 -1		-0.1 -1		



SPECIFICATIONS FOR UNIPOLAR SUPPLIES (V ₊ = +5 V, V ₋ = 0 V)									
Parameter	Symbol	Test Conditions Unless Otherwise Specified V ₊ = +5 V, V ₋ = 0 V V _{IN} = 2 V, 0.8 V ^a	Temp. ^b	Typ. ^c	-40 °C to 125 °C		-40 °C to 85 °C		Unit
					Min. ^d	Max. ^d	Min. ^d	Max. ^d	
Analog Switch									
Analog Signal Range ^e	V _{ANALOG}		Full		0	5	0	5	V
On-Resistance	R _{ON}	V ₊ = +5 V, V ₋ = 0 V I _S = 1 mA, V _D = +3.5 V	Room Full	139		180 235		180 215	Ω
On-Resistance Match	ΔR _{ON}	V ₊ = +5 V, V ₋ = 0 V, I _S = 1 mA, V _D = +3.5 V	Room Full	1		6 10		6 9	
On-Resistance Flatness	R _{FLATNESS}	V ₊ = +5 V, V ₋ = 0 V, I _S = 1 mA, V _D = 0 V, +3.5 V	Room Full	56		80 120		80 110	
Switch Off Leakage Current	I _{S(off)}	V ₊ = 5.5 V, V ₋ = 0 V V _D = 4.5 V/1 V V _S = 1 V/4.5 V	Room Full	± 0.02	- 0.1 - 2	0.1 2	- 0.1 - 0.25	0.1 0.25	nA
	I _{D(off)}		Room Full	± 0.02	- 0.1 - 2	0.1 2	- 0.1 - 0.25	0.1 0.25	
Switch On Leakage Current	I _{D(on)}	V ₊ = 5.5 V, V ₋ = 0 V V _D = V _S = 1 V/4.5 V	Room Full	± 0.02	- 0.1 - 6	0.1 6	- 0.1 - 0.25	0.1 0.25	
Digital Control									
Input Current, V _{IN} Low	I _{IL}	V _{IN} Under Test = 0.8 V	Full	0.005	- 0.1	0.1	- 0.1	0.1	μA
Input Current, V _{IN} High	I _{IH}	V _{IN} Under Test = 2 V	Full	0.005	- 0.1	0.1	- 0.1	0.1	
Input Capacitance ^e	C _{IN}	f = 1 MHz	Room	2					pF
Dynamic Characteristics									
Turn-On Time ^e	t _{ON}	R _L = 300 Ω, C _L = 35 pF V _S = 3 V, see figure 1	Room Full	33		60 100		60 90	ns
Turn-Off Time ^e	t _{OFF}		Room Full	16		35 50		35 45	
Break-Before-Make ^e Time Delay	t _{BBM}	DG613A only, V _S = 3 V R _L = 300 Ω, C _L = 35 pF	Room Full	19	2		2		
Charge Injection ^e	Q	V _g = 0 V, R _g = 0 Ω, C _L = 1 nF	Full	2.3					pC
Off Isolation ^e	OIRR	R _L = 50 Ω, C _L = 5 pF f = 10 MHz	Room	- 61					dB
Channel-to-Channel Crosstalk ^e	X _{TALK}		Room	- 90					
3 dB Bandwidth ^e	BW	R _L = 50 Ω, C _L = 5 pF	Room	675					MHz
Source Off Capacitance ^e	C _{S(off)}	f = 1 MHz; V _S = 0 V	Room	3					pF
Drain Off Capacitance ^e	C _{D(off)}		Room	5					
Drain On Capacitance ^e	C _{D(on)}	f = 1 MHz; V _S = V _D = 0 V	Room	9					
Power Supplies									
Power Supply Current	I ₊	V _{IN} = 0 V or 5 V	Room Full	0.001		0.1 1		0.1 1	μA
Negative Supply Current	I ₋		Room Full	- 0.001	- 0.1 - 1		- 0.1 - 1		
Ground Current	I _{GND}		Room Full	- 0.001	- 0.1 - 1		- 0.1 - 1		



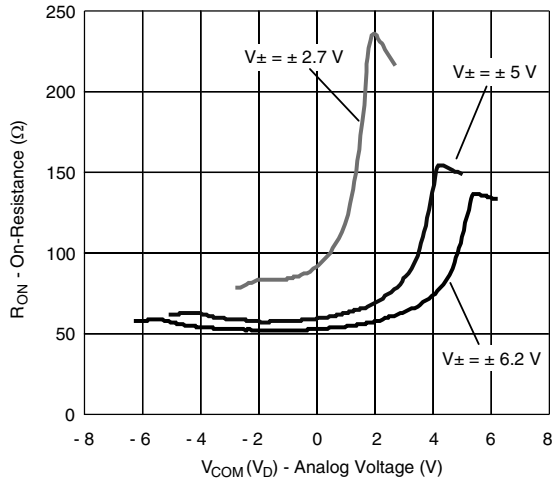
SPECIFICATIONS FOR UNIPOLAR SUPPLIES (V ₊ = +3 V, V ₋ = 0 V)									
Parameter	Symbol	Test Conditions Unless Otherwise Specified V ₊ = +3 V, V ₋ = 0 V V _{IN} = 1.4 V, 0.6 V ^a	Temp. ^b	Typ. ^c	-40 °C to 125 °C		-40 °C to 85 °C		Unit
					Min. ^d	Max. ^d	Min. ^d	Max. ^d	
Analog Switch									
Analog Signal Range ^e	V _{ANALOG}		Full		0	3	0	3	V
On-Resistance	R _{ON}	I _S = 1 mA, V _D = +1.5 V	Room Full	195		235 300		235 280	Ω
Switch Off Leakage Current	I _{S(off)}	V ₊ = 3.3 V, V ₋ = 0 V V _D = 3 V/0.3 V V _S = 0.3 V/3 V	Room	± 0.02	- 0.1	0.1	- 0.1	0.1	nA
	I _{D(off)}		Full	± 0.02	- 2	2	- 0.25	0.25	
Switch On Leakage Current	I _{D(on)}	V ₊ = 3.3 V, V ₋ = 0 V V _D = V _S = 0.3 V/3 V	Room Full	± 0.02	- 0.1 - 6	0.1 6	- 0.1 - 0.25	0.1 0.25	
Digital Control									
Input Current, V _{IN} Low	I _{IL}	V _{IN} Under Test = 0.6 V	Full	0.005	- 0.1	0.1	- 0.1	0.1	μA
Input Current, V _{IN} High	I _{IH}	V _{IN} Under Test = 1.4 V	Full	0.005	- 0.1	0.1	- 0.1	0.1	
Input Capacitance ^e	C _{IN}	f = 1 MHz	Room	2					pF
Dynamic Characteristics									
Turn-On Time	t _{ON}	R _L = 300 Ω, C _L = 35 pF V _S = 2 V, see figure 1	Room Full	87		125 180		125 170	ns
Turn-Off Time	t _{OFF}		Room Full	33		55 65		55 60	
Break-Before-Make Time Delay	t _{BBM}	DG613 only, V _S = 2 V R _L = 300 Ω, C _L = 35 pF	Room Full	60	10		10		
Charge Injection ^e	Q	V _g = 0 V, R _g = 0 Ω, C _L = 1 nF	Room	2.3					pC
Off Isolation ^e	OIRR	R _L = 50 Ω, C _L = 5 pF f = 10 MHz	Room	- 60					dB
Channel-to-Channel Crosstalk ^e	X _{TALK}		Room	- 90					
3 dB Bandwidth ^e	BW	R _L = 50 Ω, C _L = 5 pF	Room	550					MHz
Source Off Capacitance ^e	C _{S(off)}	f = 1 MHz; V _S = 0 V	Room	5					pF
Drain Off Capacitance ^e	C _{D(off)}		Room	6					
Drain On Capacitance ^e	C _{D(on)}	f = 1 MHz; V _S = V _D = 0 V	Room	9					
Power Supplies									
Power Supply Current	I ₊	V _{IN} = 0 V or 3 V	Room Full	0.001		0.1 1		0.1 1	μA
Negative Supply Current	I ₋		Room Full	- 0.001	- 0.1 - 1		- 0.1 - 1		
Ground Current	I _{GND}		Room Full	- 0.001	- 0.1 - 1		- 0.1 - 1		

Notes:

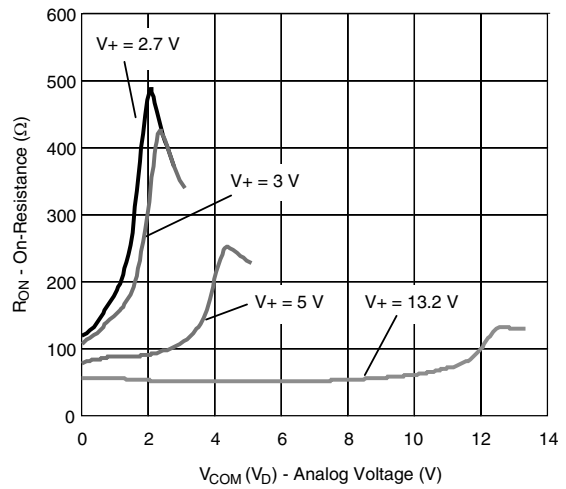
- V_{IN} = input voltage to perform proper function.
- Room = 25 °C, Full = as determined by the operating temperature suffix.
- Typical values are for DESIGN AID ONLY, not guaranteed nor subject to production testing.
- The algebraic convention whereby the most negative value is a minimum and the most positive a maximum, is used in this data sheet.
- Guaranteed by design, not subject to production test.

Stresses beyond those listed under "Absolute Maximum Ratings" may cause permanent damage to the device. These are stress ratings only, and functional operation of the device at these or any other conditions beyond those indicated in the operational sections of the specifications is not implied. Exposure to absolute maximum rating conditions for extended periods may affect device reliability.

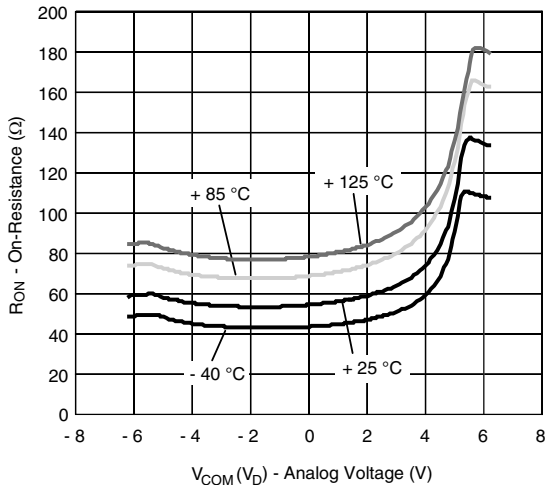
TYPICAL CHARACTERISTICS (25 °C, unless otherwise noted)



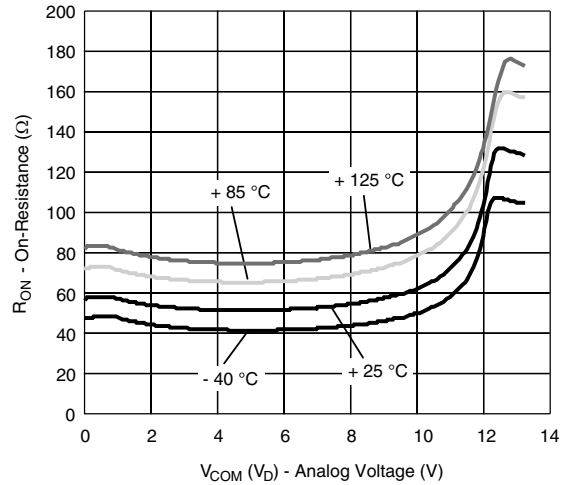
On-Resistance vs. V_D (Dual Supply)



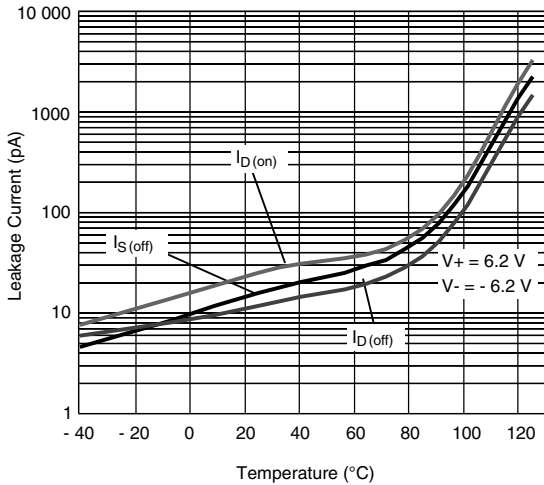
On-Resistance vs. V_D (Single Supply)



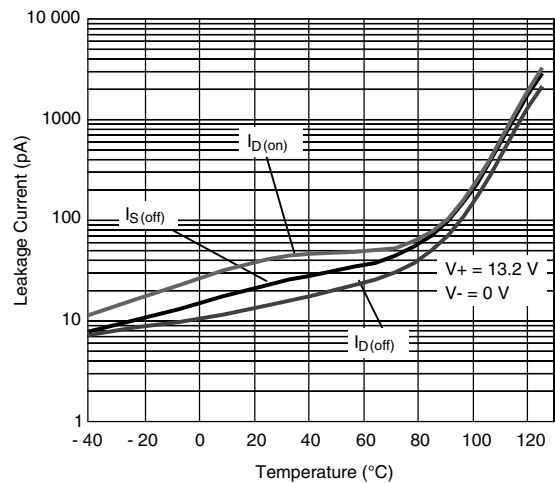
On-Resistance vs. Temperature (Dual Supply)



On-Resistance vs. Temperature (Single Supply)

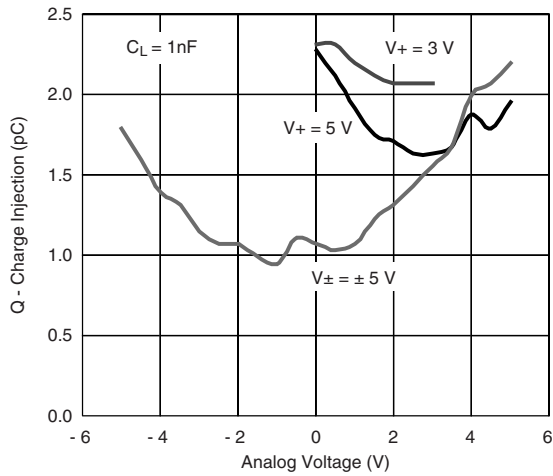


Leakage Current vs. Temperature

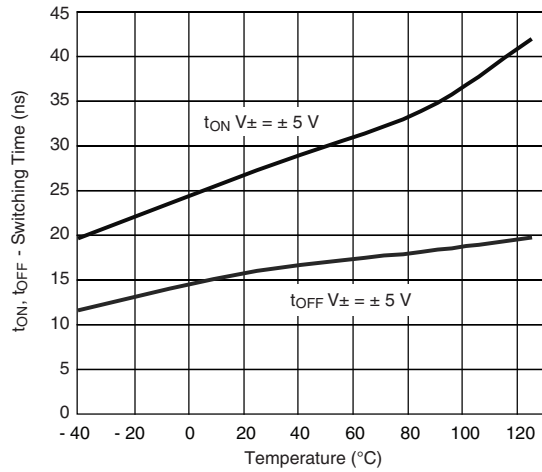


Leakage Current vs. Temperature

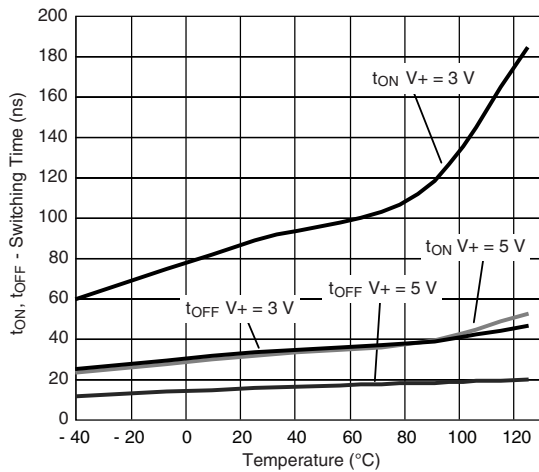
TYPICAL CHARACTERISTICS (25 °C, unless otherwise noted)



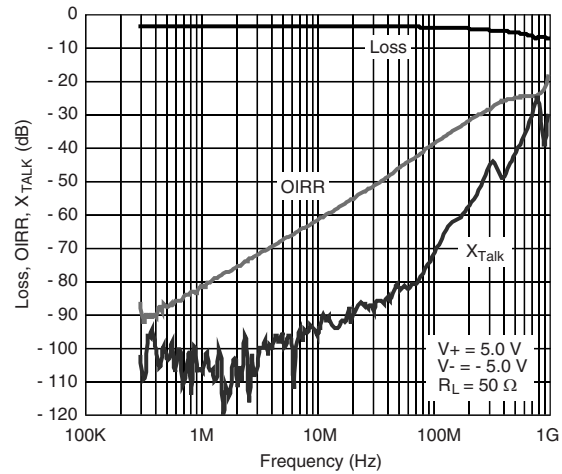
Charge Injection vs. Analog Voltage



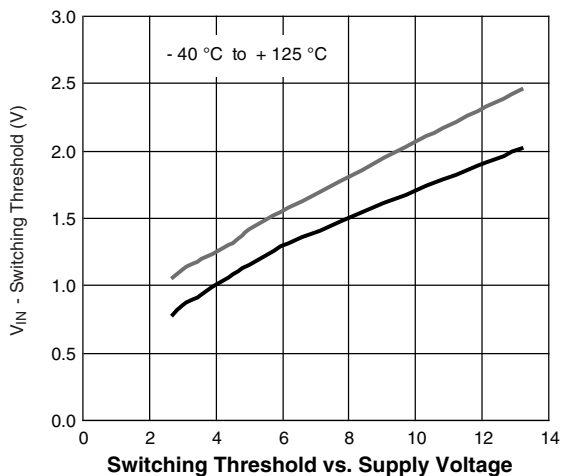
Switching Time vs. Temperature (Dual Supply)



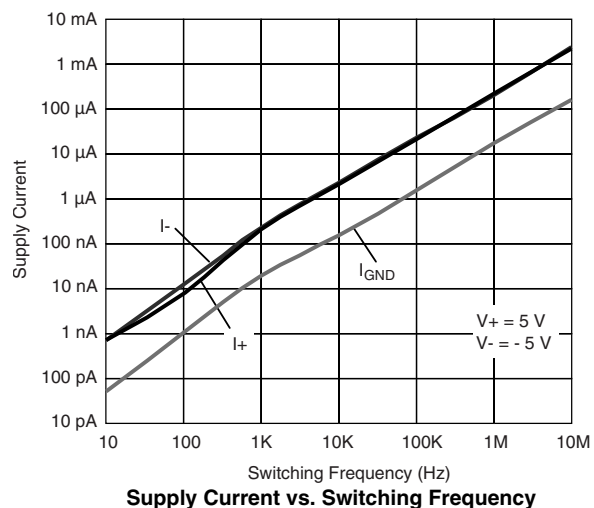
Switching Time vs. Temperature (Single Supply)



Insertion Loss, Off-Isolation, Crosstalk vs. Frequency

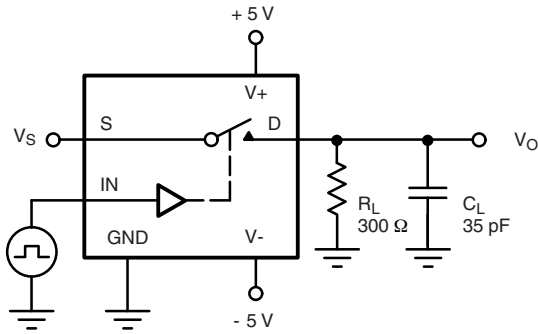


Switching Threshold vs. Supply Voltage



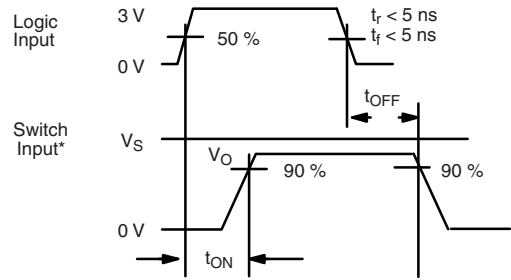
Supply Current vs. Switching Frequency

TEST CIRCUITS



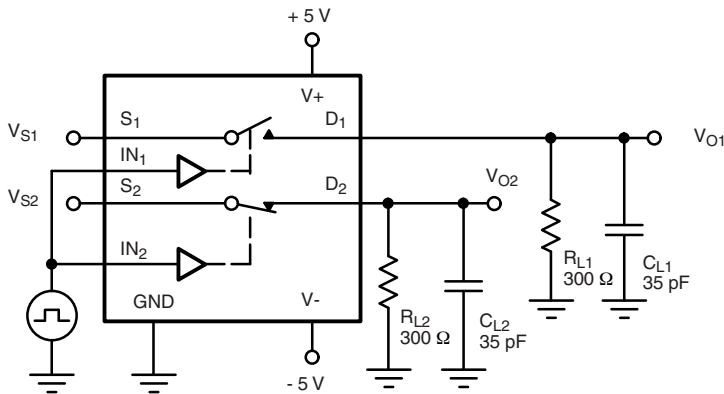
C_L (includes fixture and stray capacitance)

$$V_O = V_S \frac{R_L}{R_L + r_{DS(on)}}$$



Note: Logic input waveform is inverted for switches that have the opposite logic sense control

Figure 1. Switching Time



C_L (includes fixture and stray capacitance)

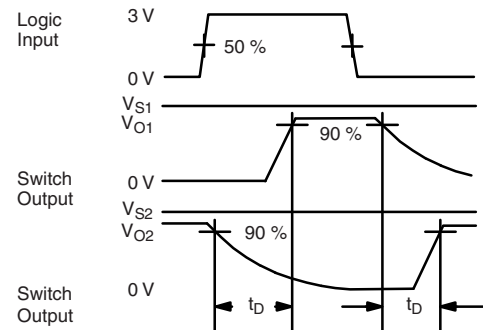


Figure 2. Break-Before-Make (DG613A)

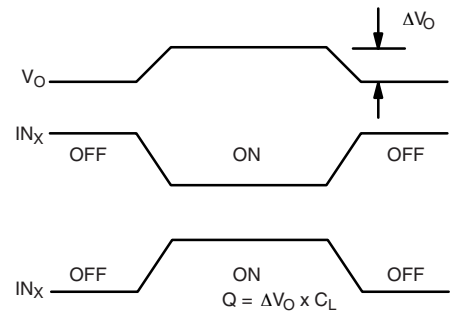
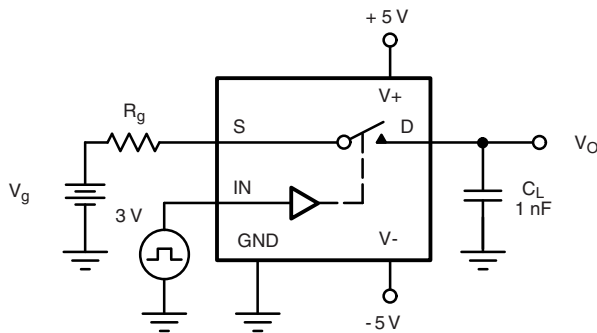


Figure 3. Charge Injection

TEST CIRCUITS

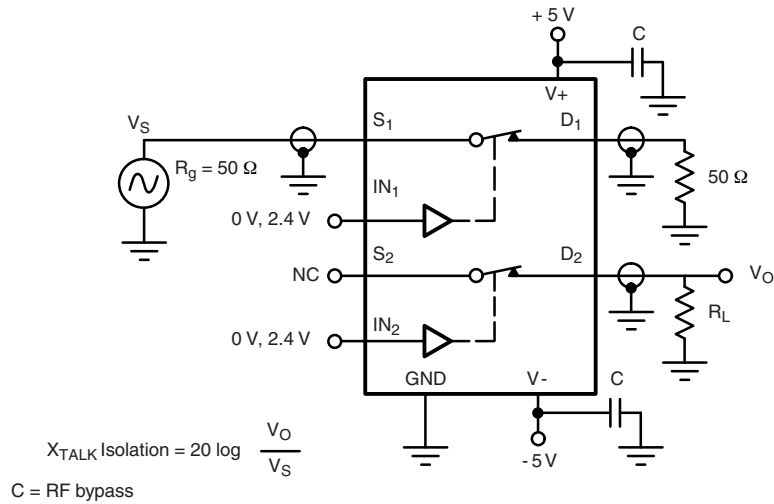


Figure 4. Crosstalk

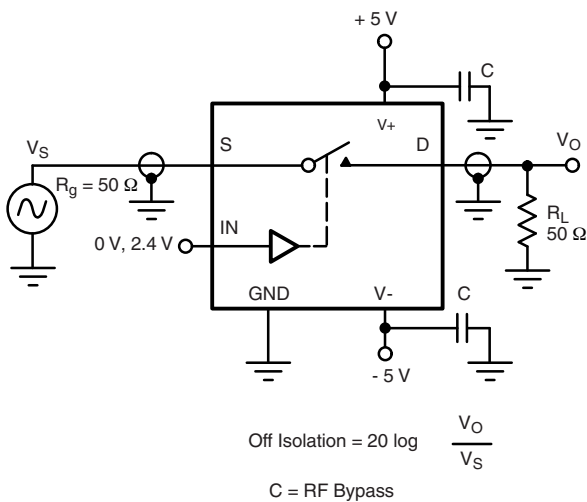


Figure 5. Off-Isolation

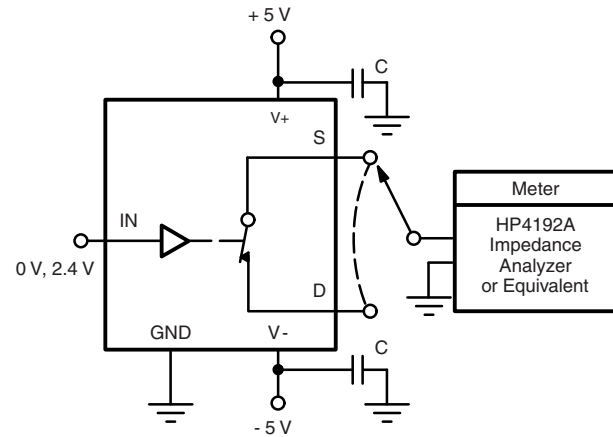
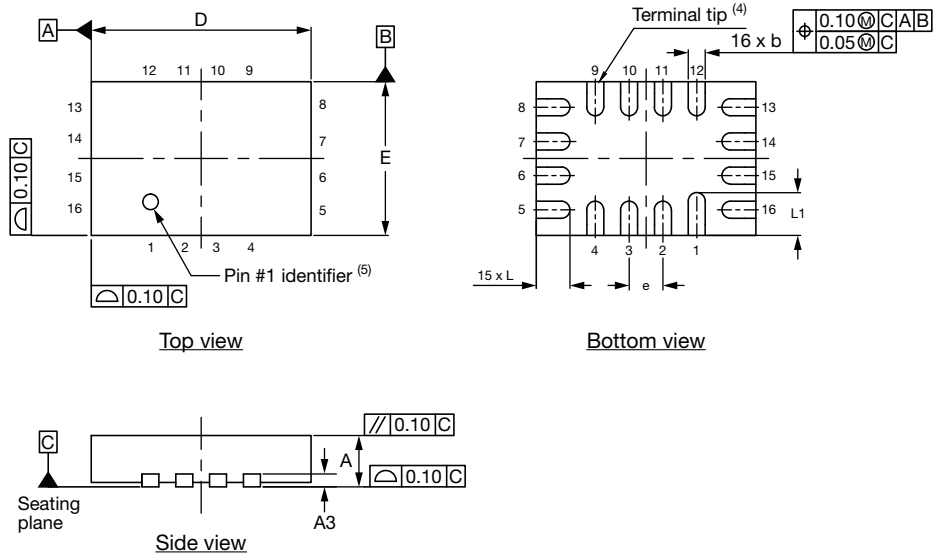


Figure 6. Source/Drain Capacitances

Vishay Siliconix maintains worldwide manufacturing capability. Products may be manufactured at one of several qualified locations. Reliability data for Silicon Technology and Package Reliability represent a composite of all qualified locations. For related documents such as package/tape drawings, part marking, and reliability data, see www.vishay.com/ppg?69904.

Thin miniQFN16 Case Outline



DIMENSIONS	MILLIMETERS ⁽¹⁾			INCHES		
	MIN.	NOM.	MAX.	MIN.	NOM.	MAX.
A	0.50	0.55	0.60	0.020	0.022	0.024
A1	0	-	0.05	0	-	0.002
A3	0.15 ref.			0.006 ref.		
b	0.15	0.20	0.25	0.006	0.008	0.010
D	2.50	2.60	2.70	0.098	0.102	0.106
e	0.40 BSC			0.016 BSC		
E	1.70	1.80	1.90	0.067	0.071	0.075
L	0.35	0.40	0.45	0.014	0.016	0.018
L1	0.45	0.50	0.55	0.018	0.020	0.022
N ⁽³⁾	16			16		
Nd ⁽³⁾	4			4		
Ne ⁽³⁾	4			4		

Notes

- (1) Use millimeters as the primary measurement.
- (2) Dimensioning and tolerances conform to ASME Y14.5M. - 1994.
- (3) N is the number of terminals. Nd and Ne is the number of terminals in each D and E site respectively.
- (4) Dimensions b applies to plated terminal and is measured between 0.15 mm and 0.30 mm from terminal tip.
- (5) The pin 1 identifier must be existed on the top surface of the package by using identification mark or other feature of package body.
- (6) Package warpage max. 0.05 mm.

ECN: T16-0226-Rev. B, 09-May-16
DWG: 6023



SOIC (NARROW): 16-LEAD
JEDEC Part Number: MS-012

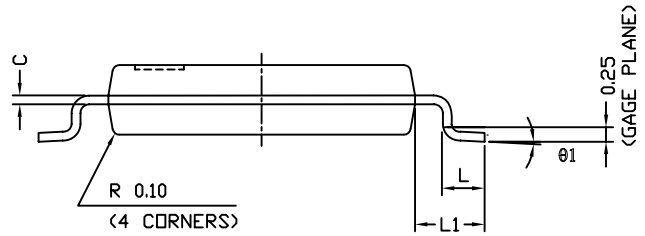
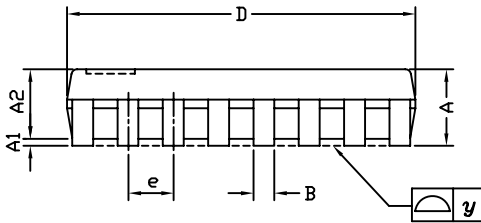
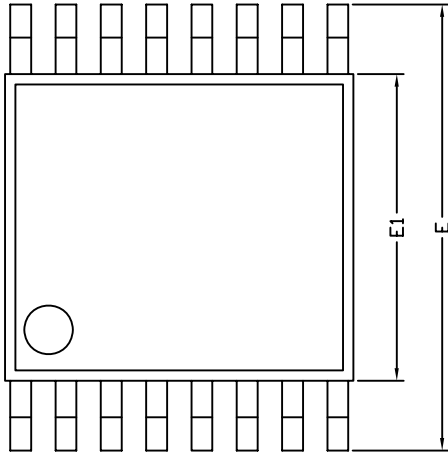


Dim	MILLIMETERS		INCHES	
	Min	Max	Min	Max
A	1.35	1.75	0.053	0.069
A ₁	0.10	0.20	0.004	0.008
B	0.38	0.51	0.015	0.020
C	0.18	0.23	0.007	0.009
D	9.80	10.00	0.385	0.393
E	3.80	4.00	0.149	0.157
e	1.27 BSC		0.050 BSC	
H	5.80	6.20	0.228	0.244
L	0.50	0.93	0.020	0.037
∅	0°	8°	0°	8°

ECN: S-03946—Rev. F, 09-Jul-01
DWG: 5300



TSSOP: 16-LEAD

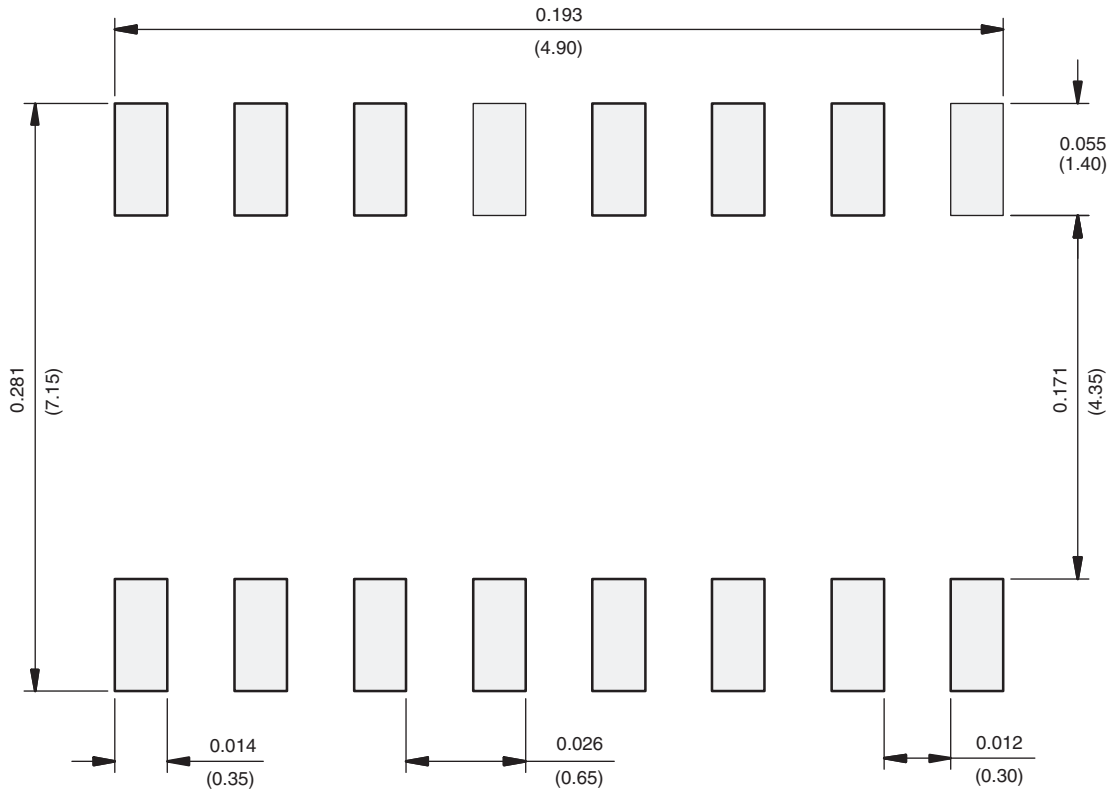


Symbols	DIMENSIONS IN MILLIMETERS		
	Min	Nom	Max
A	-	1.10	1.20
A1	0.05	0.10	0.15
A2	-	1.00	1.05
B	0.22	0.28	0.38
C	-	0.127	-
D	4.90	5.00	5.10
E	6.10	6.40	6.70
E1	4.30	4.40	4.50
e	-	0.65	-
L	0.50	0.60	0.70
L1	0.90	1.00	1.10
y	-	-	0.10
θ1	0°	3°	6°

ECN: S-61920-Rev. D, 23-Oct-06
DWG: 5624

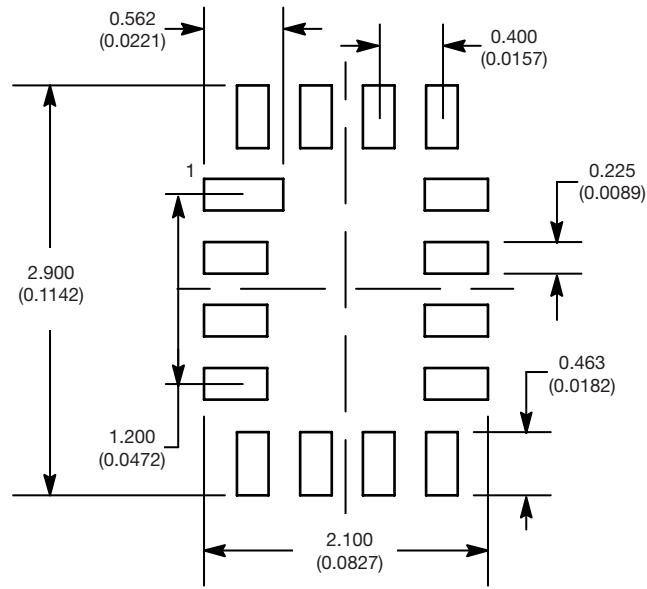


RECOMMENDED MINIMUM PAD FOR TSSOP-16



Recommended Minimum Pads
Dimensions in inches (mm)

RECOMMENDED MINIMUM PADS FOR MINI QFN 16L



Mounting Footprint
Dimensions in mm (inch)

RECOMMENDED MINIMUM PADS FOR SO-16



Recommended Minimum Pads
Dimensions in Inches/(mm)

[Return to Index](#)



Disclaimer

ALL PRODUCT, PRODUCT SPECIFICATIONS AND DATA ARE SUBJECT TO CHANGE WITHOUT NOTICE TO IMPROVE RELIABILITY, FUNCTION OR DESIGN OR OTHERWISE.

Vishay Intertechnology, Inc., its affiliates, agents, and employees, and all persons acting on its or their behalf (collectively, "Vishay"), disclaim any and all liability for any errors, inaccuracies or incompleteness contained in any datasheet or in any other disclosure relating to any product.

Vishay makes no warranty, representation or guarantee regarding the suitability of the products for any particular purpose or the continuing production of any product. To the maximum extent permitted by applicable law, Vishay disclaims (i) any and all liability arising out of the application or use of any product, (ii) any and all liability, including without limitation special, consequential or incidental damages, and (iii) any and all implied warranties, including warranties of fitness for particular purpose, non-infringement and merchantability.

Statements regarding the suitability of products for certain types of applications are based on Vishay's knowledge of typical requirements that are often placed on Vishay products in generic applications. Such statements are not binding statements about the suitability of products for a particular application. It is the customer's responsibility to validate that a particular product with the properties described in the product specification is suitable for use in a particular application. Parameters provided in datasheets and / or specifications may vary in different applications and performance may vary over time. All operating parameters, including typical parameters, must be validated for each customer application by the customer's technical experts. Product specifications do not expand or otherwise modify Vishay's terms and conditions of purchase, including but not limited to the warranty expressed therein.

Hyperlinks included in this datasheet may direct users to third-party websites. These links are provided as a convenience and for informational purposes only. Inclusion of these hyperlinks does not constitute an endorsement or an approval by Vishay of any of the products, services or opinions of the corporation, organization or individual associated with the third-party website. Vishay disclaims any and all liability and bears no responsibility for the accuracy, legality or content of the third-party website or for that of subsequent links.

Except as expressly indicated in writing, Vishay products are not designed for use in medical, life-saving, or life-sustaining applications or for any other application in which the failure of the Vishay product could result in personal injury or death. Customers using or selling Vishay products not expressly indicated for use in such applications do so at their own risk. Please contact authorized Vishay personnel to obtain written terms and conditions regarding products designed for such applications.

No license, express or implied, by estoppel or otherwise, to any intellectual property rights is granted by this document or by any conduct of Vishay. Product names and markings noted herein may be trademarks of their respective owners.