

## Low-Voltage Dual SPST Analog Switch

### DESCRIPTION

The DG9232, 9233 is a single-pole/single-throw monolithic CMOS analog device designed for high performance switching of analog signals. Combining low power, high speed ( $t_{ON}$ : 35 ns,  $t_{OFF}$ : 20 ns), low on-resistance ( $R_{DS(on)}$ : 20  $\Omega$ ) and small physical size, the DG9232, 9233 is ideal for portable and battery powered applications requiring high performance and efficient use of board space.

The DG9232, 9233 is built on Vishay Siliconix's low voltage BCD-15 process. Minimum ESD protection, per method 3015.7 is 2000 V. An epitaxial layer prevents latchup. Break-before -make is guaranteed for DG9232. 9233.

Each switch conducts equally well in both directions when on, and blocks up to the power supply level when off.

### BENEFITS

- Reduced power consumption
- Simple logic interface
- High accuracy
- Reduce board space

### FEATURES

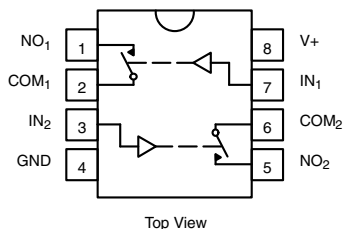
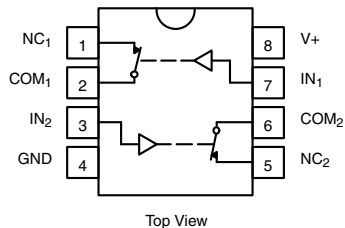
- Low voltage operation (+ 2.7 V to + 5 V)
- Low on-resistance -  $R_{DS(on)}$ : 20  $\Omega$
- Fast switching -  $t_{ON}$ : 35 ns,  $t_{OFF}$ : 20 ns
- Low leakage -  $I_{COM(on)}$ : 200 pA max.
- Low charge injection -  $Q_{INJ}$ : 1 pC
- Low power consumption
- TTL/CMOS compatible
- ESD protection > 2000 V (method 3015.7)
- Available in MSOP-8 and SOIC-8
- **Compliant to RoHS Directive 2002/95/EC**


**RoHS\***  
COMPLIANT

### APPLICATIONS

- Battery operated systems
- Portable test equipment
- Sample and hold circuits
- Cellular phones
- Communication systems
- Military radio
- PBX, PABX guidance and control systems

### FUNCTIONAL BLOCK DIAGRAM AND PIN CONFIGURATION


**TRUTH TABLE - DG9232**

Logic	Switch
0	On
1	Off

Logic "0"  $\leq$  0.8 V  
Logic "1"  $\geq$  2.4 V

**TRUTH TABLE - DG9233**

Logic	Switch
0	Off
1	On

Logic "0"  $\leq$  0.8 V  
Logic "1"  $\geq$  2.4 V

### ORDERING INFORMATION

Temp Range	Package	Part Number
- 40 °C to 85 °C	SOIC-8	DG9232DY
		DG9232DY-E3
		DG9232DY-T1
		DG9232DY-T1-E3
	MSOP-8	DG9233DY
		DG9233DY-E3
		DG9233DY-T1
		DG9233DY-T1-E3
		DG9232DQ-T1-E3
		DG9233DQ-T1-E3

\* Pb containing terminations are not RoHS compliant, exemptions may apply

ABSOLUTE MAXIMUM RATINGS			
Parameter		Limit	Unit
Reference V+ to GND		- 0.3 to + 13	V
IN, COM, NC, NO <sup>a</sup>		- 0.3 to (V+ + 0.3)	
Continuous Current (Any terminal)		± 20	mA
Peak Current (Pulsed at 1 ms, 10 % duty cycle)		± 40	
ESD (Method 3015.7)		> 2000	V
Storage Temperature	D suffix	- 65 to 125	°C
Power Dissipation (Packages) <sup>b</sup>	8-pin narrow body SOIC <sup>c</sup>	400	mW

Notes:

- a. Signals on NC, NO, or COM or IN exceeding V+ will be clamped by internal diodes. Limit forward diode current to maximum current ratings.
- b. All leads welded or soldered to PC board.
- c. Derate 6.5 mW/°C above 70 °C.

SPECIFICATIONS (V+ = 3 V)							
Parameter	Symbol	Test Conditions Otherwise Unless Specified V+ = 3 V, ± 10 %, V <sub>IN</sub> = 0.8 V or 2.4 V <sup>e</sup>	Temp. <sup>a</sup>	D Suffix - 40 °C to 85 °C			Unit
				Min. <sup>c</sup>	Typ. <sup>b</sup>	Max. <sup>c</sup>	
<b>Analog Switch</b>							
Analog Signal Range <sup>d</sup>	V <sub>ANALOG</sub>		Full	0		3	V
Drain-Source On-Resistance	R <sub>DS(on)</sub>	V <sub>NO</sub> or V <sub>NC</sub> = 1.5 V, V+ = 2.7 V I <sub>COM</sub> = 5 mA	Room Full		30	50 80	Ω
R <sub>DS(on)</sub> Match <sup>d</sup>	ΔR <sub>DS(on)</sub>	V <sub>NO</sub> or V <sub>NC</sub> = 1.5 V	Room		0.4	2	
R <sub>DS(on)</sub> Flatness <sup>d</sup>	R <sub>DS(on)</sub> Flatness	V <sub>NO</sub> or V <sub>NC</sub> = 1 and 2 V	Room		4	8	
NO or NC Off Leakage Current <sup>g</sup>	I <sub>NO/NC(off)</sub>	V <sub>NO</sub> or V <sub>NC</sub> = 1 V/2 V, V <sub>COM</sub> = 2 V/1 V	Room Full	- 100 - 5000	5	100 5000	pA
COM Off Leakage Current <sup>g</sup>	I <sub>COM(off)</sub>	V <sub>COM</sub> = 1 V/2 V, V <sub>NO</sub> or V <sub>NC</sub> = 2 V/1 V	Room Full	- 100 - 5000	5	100 5000	
Channel-On Leakage Current <sup>g</sup>	I <sub>COM(on)</sub>	V <sub>COM</sub> = V <sub>NO</sub> or V <sub>NC</sub> = 1 V/2 V	Room Full	- 200 - 10000	10	200 10000	
<b>Digital Control</b>							
Input Current	I <sub>INL</sub> or I <sub>INH</sub>		Full		1		μA
<b>Dynamic Characteristics</b>							
Turn-On Time	t <sub>ON</sub>	V <sub>NO</sub> or V <sub>NC</sub> = 1.5 V	Room Full		50	120 200	ns
Turn-Off Time	t <sub>OFF</sub>		Room Full		20	50 120	
Charge Injection <sup>d</sup>	Q <sub>INJ</sub>	C <sub>L</sub> = 1 nF, V <sub>GEN</sub> = 0 V, R <sub>GEN</sub> = 0 Ω	Room		1	5	pC
Off-Isolation	OIRR	R <sub>L</sub> = 50 Ω, C <sub>L</sub> = 5 pF, f = 1 MHz	Room		- 74		dB
Crosstalk	X <sub>TALK</sub>		Room		- 90		
NC and NO Capacitance	C <sub>S(off)</sub>	f = 1 MHz	Room		7		pF
Channel-On Capacitance	C <sub>COM(on)</sub>		Room		20		
COM-Off Capacitance	C <sub>COM(off)</sub>		Room		13		
<b>Power Supply</b>							
Positive Supply Range	V+			2.7		12	V
Power Supply Current	I+	V+ = 3.3 V, V <sub>IN</sub> = 0 or 3.3 V				1	μA

Notes:

- a. Room = 25 °C, Full = as determined by the operating suffix.
- b. Typical values are for design aid only, not guaranteed nor subject to production testing.
- c. The algebraic convention whereby the most negative value is a minimum and the most positive a maximum, is used in this datasheet.
- d. Guarantee by design, nor subjected to production test.
- e. V<sub>IN</sub> = input voltage to perform proper function.
- f. Difference of min and max values.
- g. Guaranteed by 5 V leakage tests, not production tested.



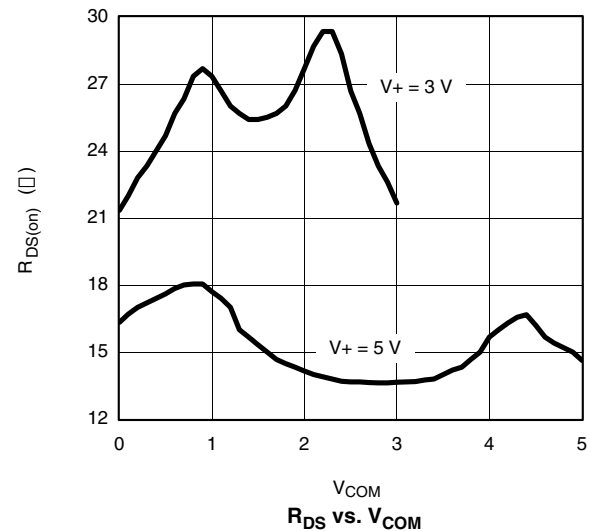
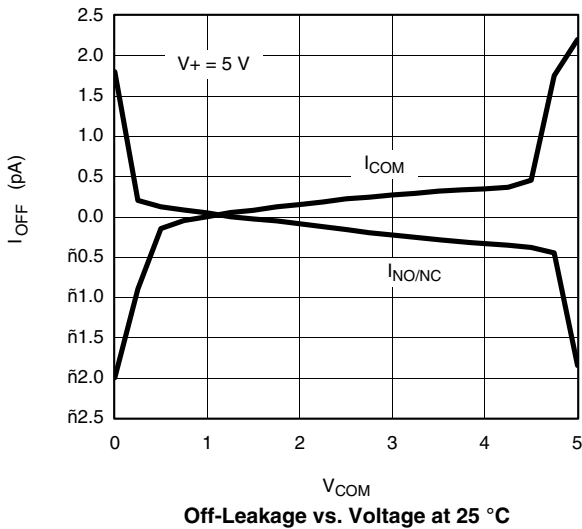
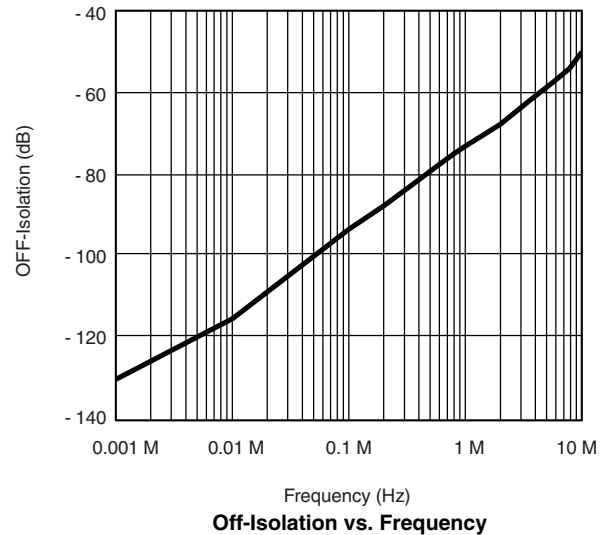
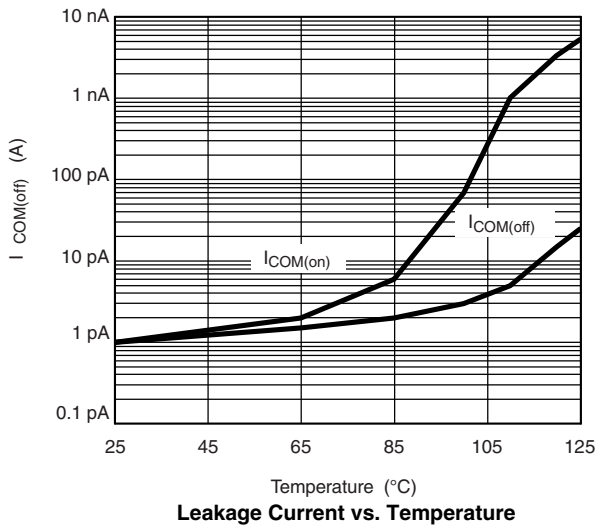
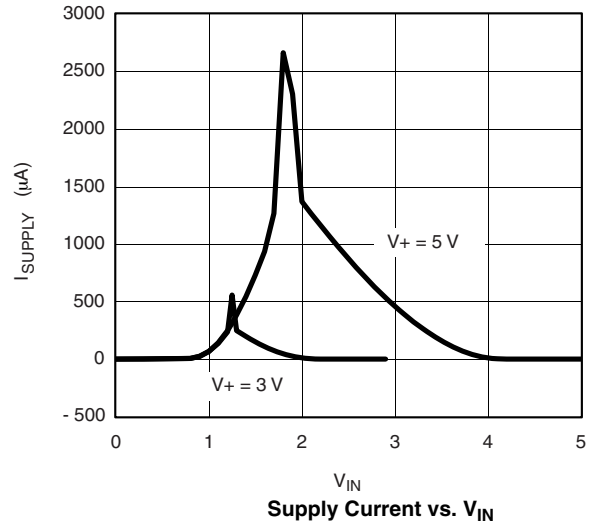
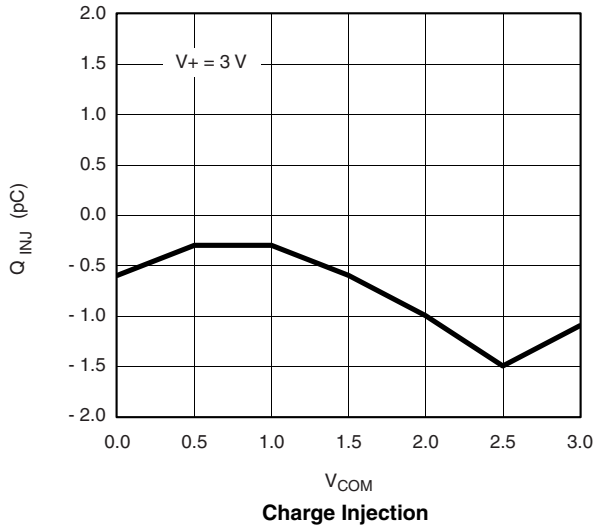
SPECIFICATIONS (V+ = 5 V)							
Parameter	Symbol	Test Conditions Otherwise Unless Specified V+ = 5 V, ± 10 %, VIN = 0.8 V or 2.4 V <sup>e</sup>	Temp. <sup>a</sup>	D Suffix - 40 °C to 85°C			Unit
				Min. <sup>c</sup>	Typ. <sup>b</sup>	Max. <sup>c</sup>	
<b>Analog Switch</b>							
Analog Signal Range <sup>d</sup>	V <sub>ANALOG</sub>		Full	0		5	V
Drain-Source On-Resistance	R <sub>DS(on)</sub>	V <sub>NO</sub> or V <sub>NC</sub> = 3.5 V, V+ = 4.5 V I <sub>COM</sub> = 5 mA	Room Full		20	30 50	Ω
R <sub>DS(on)</sub> Match <sup>d</sup>	ΔR <sub>DS(on)</sub>	V <sub>NO</sub> or V <sub>NC</sub> = 3.5 V	Room		0.4	2	
R <sub>DS(on)</sub> Flatness <sup>d</sup>	R <sub>DS(on)</sub> Flatness	V <sub>NO</sub> or V <sub>NC</sub> = 1, 2 and 3 V	Room		2	6	
NO or NC Off Leakage Current <sup>g</sup>	I <sub>NO/NC(off)</sub>	V <sub>NO</sub> or V <sub>NC</sub> = 1 V/4 V, V <sub>COM</sub> = 4 V/1 V	Room Full	- 100 - 5000	10	100 5000	pA
COM Off Leakage Current	I <sub>COM(off)</sub>	V <sub>COM</sub> = 1 V/4 V, V <sub>NO</sub> or V <sub>NC</sub> = 4 V/1 V	Room Full	- 100 - 5000	10	100 5000	
Channel-On Leakage Current	I <sub>COM(on)</sub>	V <sub>COM</sub> = V <sub>NO</sub> or V <sub>NC</sub> = 1 V/4 V	Room Full	- 200 - 10000		200 10000	
<b>Digital Control</b>							
Input Current	I <sub>INL</sub> or I <sub>INH</sub>		Full		1		μA
<b>Dynamic Characteristics</b>							
Turn-On Time	t <sub>ON</sub>	V <sub>NO</sub> or V <sub>NC</sub> = 3.0 V	Room Full		35	75 150	ns
Turn-Off Time	t <sub>OFF</sub>		Room Full		20	50 100	
Charge Injection <sup>d</sup>	Q <sub>INJ</sub>	C <sub>L</sub> = 1 nF, V <sub>GEN</sub> = 0 V, R <sub>GEN</sub> = 0 Ω	Room		2	5	pC
Off-Isolation	OIRR	R <sub>L</sub> = 50 Ω, C <sub>L</sub> = 5 pF, f = 1 MHz	Room		- 74		dB
Crosstalk	X <sub>TALK</sub>		Room		- 90		
NC and NO Capacitance	C <sub>(off)</sub>		f = 1 MHz	Room		7	
Channel-On Capacitance	C <sub>D(on)</sub>	Room			20		
COM-Off Capacitance	C <sub>D(off)</sub>	Room			13		
<b>Power Supply</b>							
Positive Supply Range	V+			2.7		12	V
Power Supply Current	I+	V+ = 5.5 V, V <sub>IN</sub> = 0 or 5.5 V				1	μA

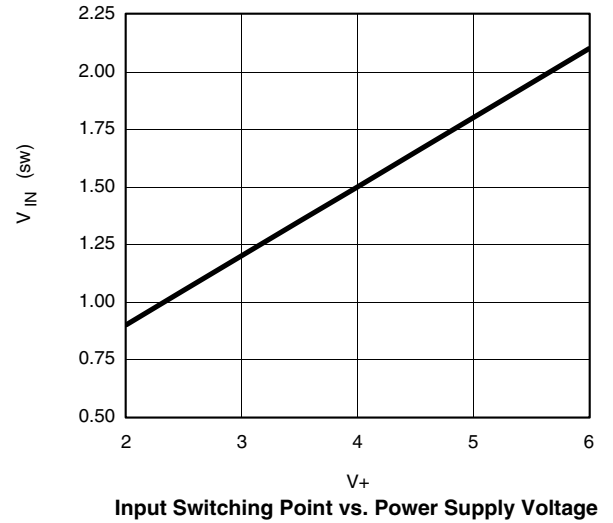
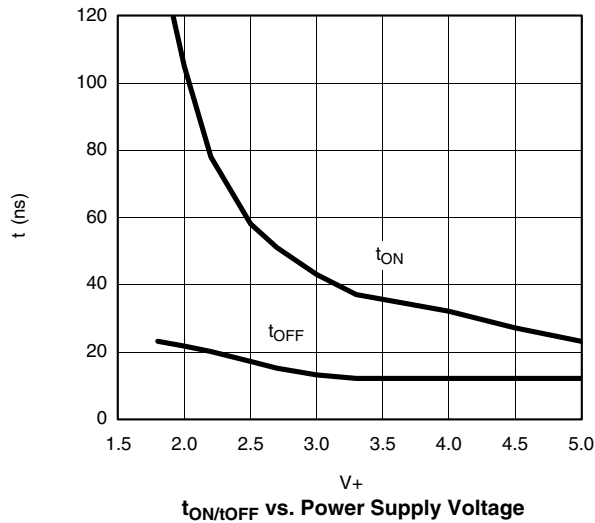
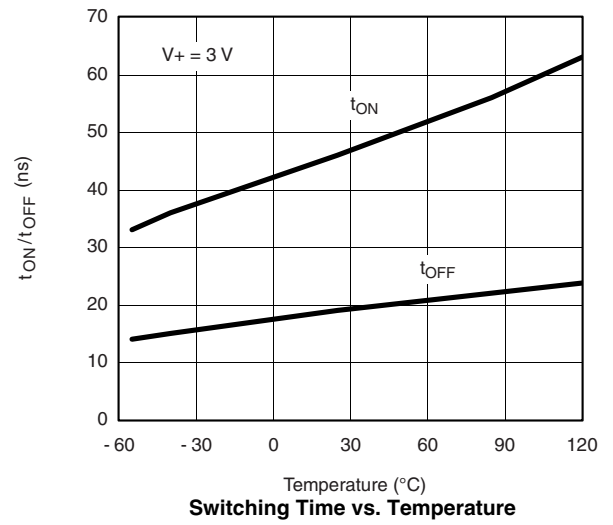
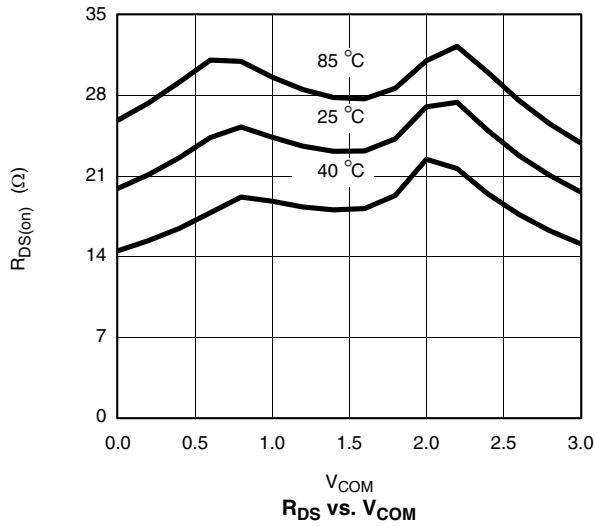
Notes:

- a. Room = 25 °C, Full = as determined by the operating suffix.
- b. Typical values are for design aid only, not guaranteed nor subject to production testing.
- c. The algebraic convention whereby the most negative value is a minimum and the most positive a maximum, is used in this datasheet.
- d. Guarantee by design, nor subjected to production test.
- e. V<sub>IN</sub> = input voltage to perform proper function.
- f. Difference of min and max values.

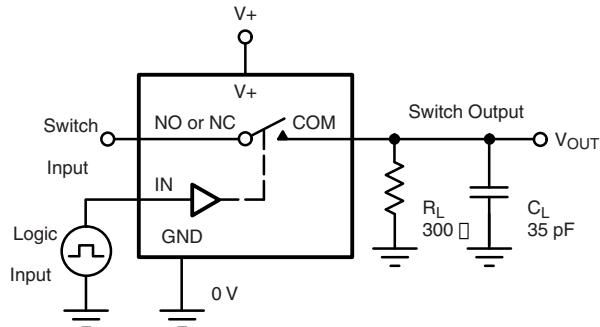
Stresses beyond those listed under "Absolute Maximum Ratings" may cause permanent damage to the device. These are stress ratings only, and functional operation of the device at these or any other conditions beyond those indicated in the operational sections of the specifications is not implied. Exposure to absolute maximum rating conditions for extended periods may affect device reliability.

### TYPICAL CHARACTERISTICS $T_A = 25\text{ }^\circ\text{C}$ , unless otherwise noted



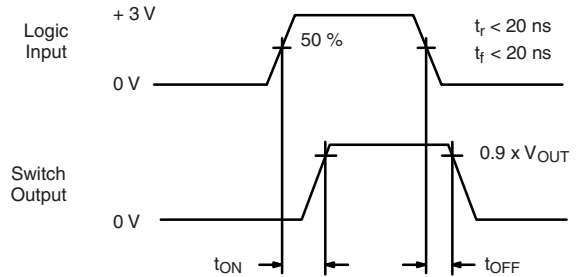
**TYPICAL CHARACTERISTICS**  $T_A = 25\text{ }^\circ\text{C}$ , unless otherwise noted


## TEST CIRCUITS



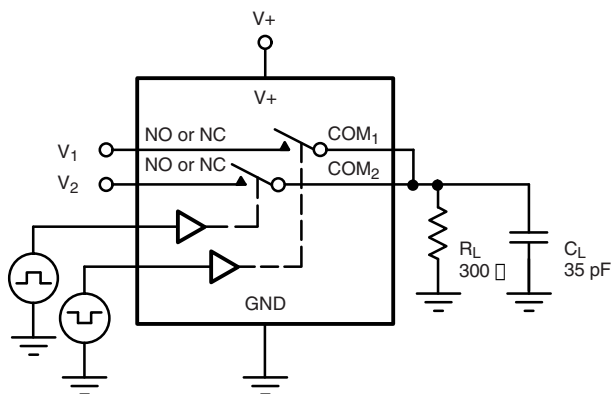
$C_L$  (includes fixture and stray capacitance)

$$V_{OUT} = V_{COM} \left( \frac{R_L}{R_L + R_{ON}} \right)$$



Logic "1" = Switch On  
Logic input waveforms inverted for switches that have the opposite logic sense.

Figure 1. Switching Time



$C_L$  (includes fixture and stray capacitance)

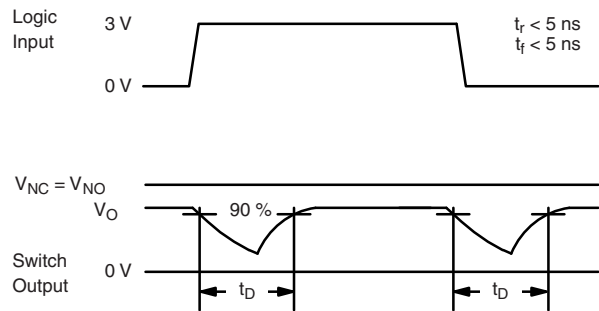
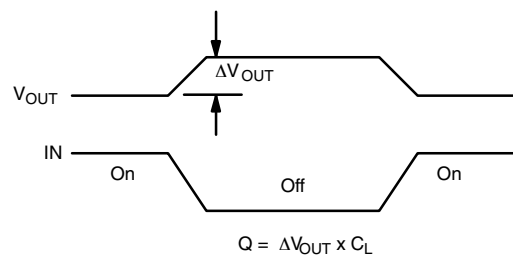
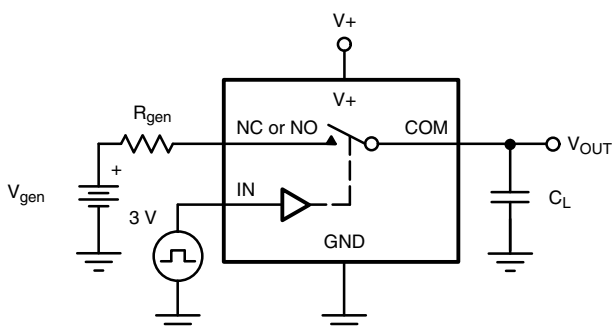


Figure 2. Break-Before-Make Interval



IN depends on switch configuration: input polarity determined by sense of switch.

Figure 3. Charge Injection

TEST CIRCUITS

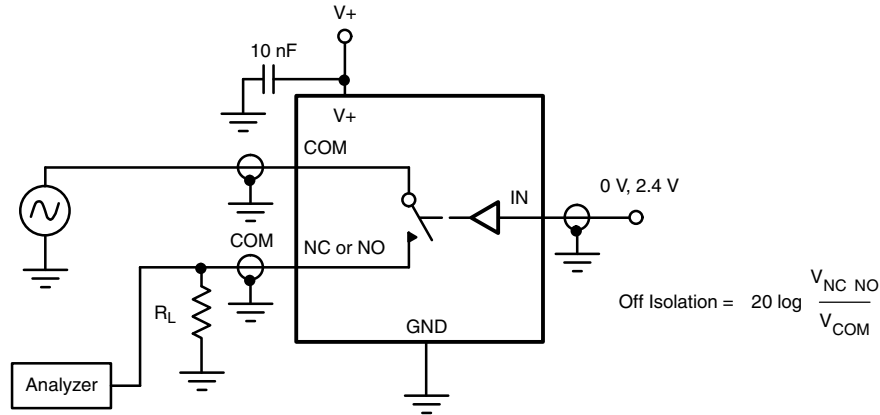


Figure 4. Off-Isolation

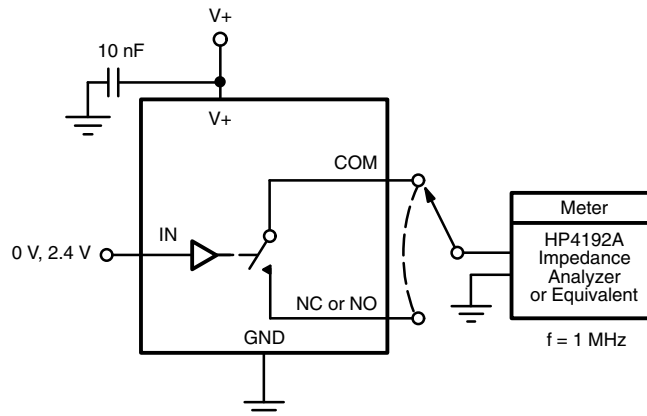
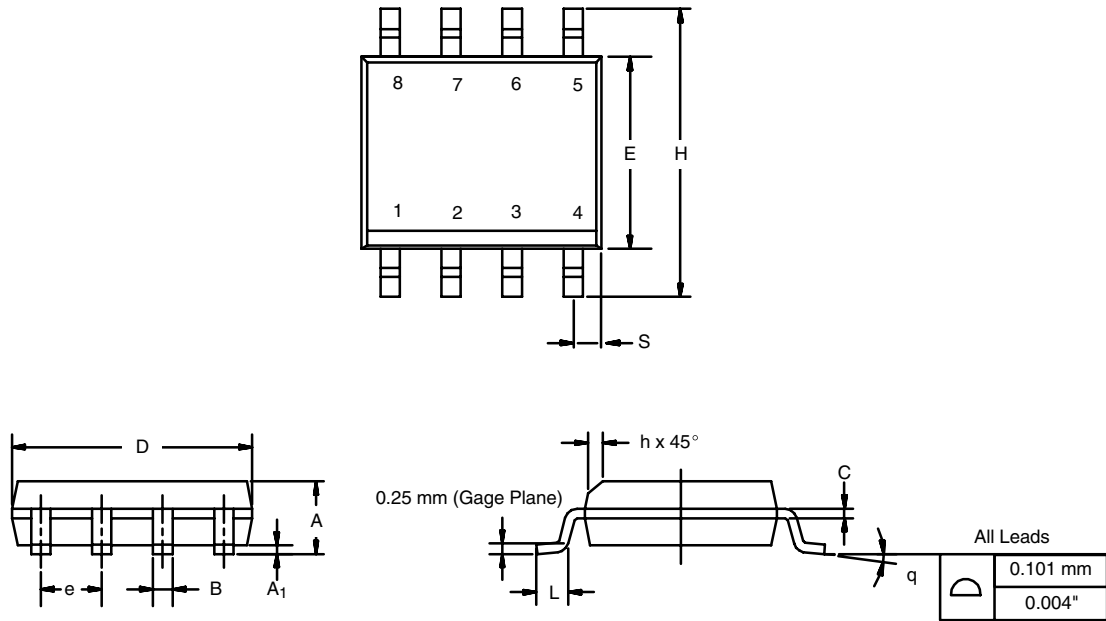


Figure 5. Channel Off/On Capacitance

Vishay Siliconix maintains worldwide manufacturing capability. Products may be manufactured at one of several qualified locations. Reliability data for Silicon Technology and Package Reliability represent a composite of all qualified locations. For related documents such as package/tape drawings, part marking, and reliability data, see <http://www.vishay.com/ppg?70837>.

## SOIC (NARROW): 8-LEAD

JEDEC Part Number: MS-012



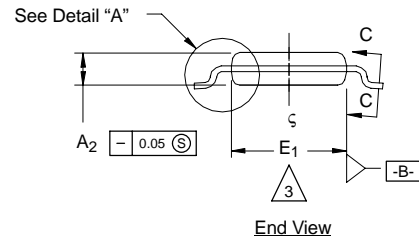
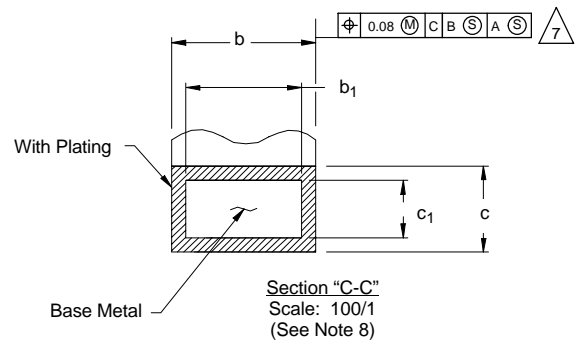
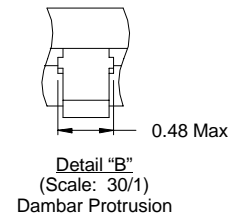
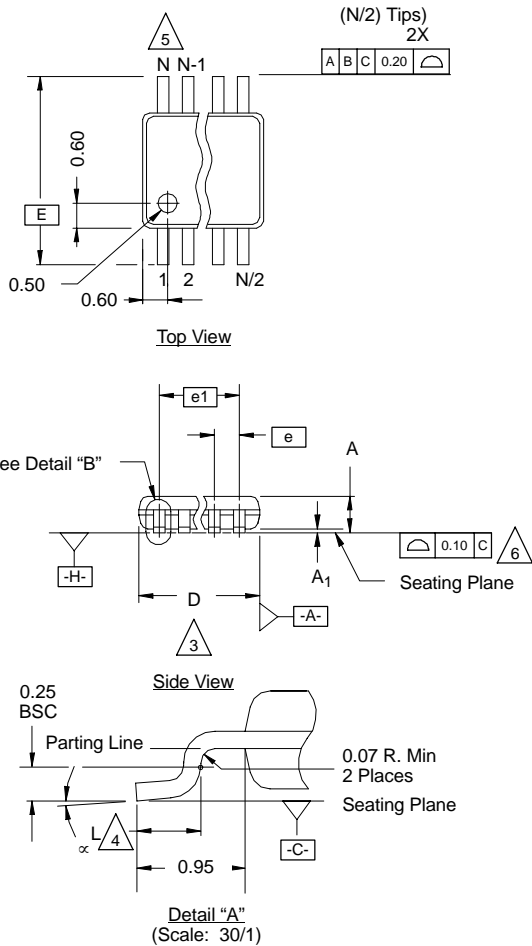
DIM	MILLIMETERS		INCHES	
	Min	Max	Min	Max
A	1.35	1.75	0.053	0.069
A <sub>1</sub>	0.10	0.20	0.004	0.008
B	0.35	0.51	0.014	0.020
C	0.19	0.25	0.0075	0.010
D	4.80	5.00	0.189	0.196
E	3.80	4.00	0.150	0.157
e	1.27 BSC		0.050 BSC	
H	5.80	6.20	0.228	0.244
h	0.25	0.50	0.010	0.020
L	0.50	0.93	0.020	0.037
q	0°	8°	0°	8°
S	0.44	0.64	0.018	0.026
ECN: C-06527-Rev. I, 11-Sep-06				
DWG: 5498				





### MSOP: 8-LEADS

JEDEC Part Number: MO-187, (Variation AA and BA)



**NOTES:**

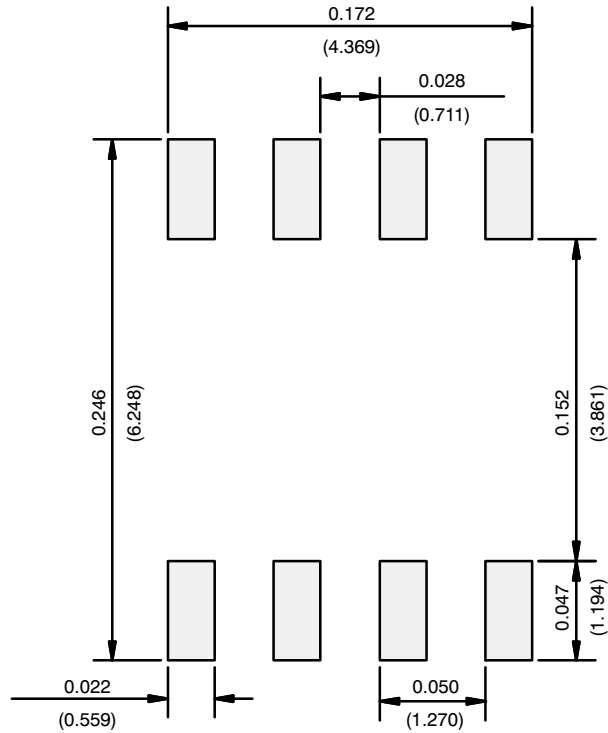
1. Die thickness allowable is  $0.203 \pm 0.0127$ .
2. Dimensioning and tolerances per ANSI.Y14.5M-1994.
3. Dimensions "D" and "E<sub>1</sub>" do not include mold flash or protrusions, and are measured at Datum plane [-H-], mold flash or protrusions shall not exceed 0.15 mm per side.
4. Dimension is the length of terminal for soldering to a substrate.
5. Terminal positions are shown for reference only.
6. Formed leads shall be planar with respect to one another within 0.10 mm at seating plane.
7. The lead width dimension does not include Dambar protrusion. Allowable Dambar protrusion shall be 0.08 mm total in excess of the lead width dimension at maximum material condition. Dambar cannot be located on the lower radius or the lead foot. Minimum space between protrusions and an adjacent lead to be 0.14 mm. See detail "B" and Section "C-C".
8. Section "C-C" to be determined at 0.10 mm to 0.25 mm from the lead tip.
9. Controlling dimension: millimeters.
10. This part is compliant with JEDEC registration MO-187, variation AA and BA.
11. Datums [-A-] and [-B-] to be determined Datum plane [-H-].
12. Exposed pad area in bottom side is the same as teh leadframe pad size.

**N = 8L**

Dim	MILLIMETERS			Note
	Min	Nom	Max	
<b>A</b>	-	-	1.10	
<b>A<sub>1</sub></b>	0.05	0.10	0.15	
<b>A<sub>2</sub></b>	0.75	0.85	0.95	
<b>b</b>	0.25	-	0.38	8
<b>b<sub>1</sub></b>	0.25	0.30	0.33	8
<b>c</b>	0.13	-	0.23	
<b>c<sub>1</sub></b>	0.13	0.15	0.18	
<b>D</b>	3.00 BSC			3
<b>E</b>	4.90 BSC			
<b>E<sub>1</sub></b>	2.90	3.00	3.10	3
<b>e</b>	0.65 BSC			
<b>e<sub>1</sub></b>	1.95 BSC			
<b>L</b>	0.40	0.55	0.70	4
<b>N</b>	8			5
$\alpha$	0°	4°	6°	

ECN: T-02080—Rev. C, 15-Jul-02  
 DWG: 5867

## RECOMMENDED MINIMUM PADS FOR SO-8



Recommended Minimum Pads  
Dimensions in Inches/(mm)

[Return to Index](#)



## Disclaimer

ALL PRODUCT, PRODUCT SPECIFICATIONS AND DATA ARE SUBJECT TO CHANGE WITHOUT NOTICE TO IMPROVE RELIABILITY, FUNCTION OR DESIGN OR OTHERWISE.

Vishay Intertechnology, Inc., its affiliates, agents, and employees, and all persons acting on its or their behalf (collectively, "Vishay"), disclaim any and all liability for any errors, inaccuracies or incompleteness contained in any datasheet or in any other disclosure relating to any product.

Vishay makes no warranty, representation or guarantee regarding the suitability of the products for any particular purpose or the continuing production of any product. To the maximum extent permitted by applicable law, Vishay disclaims (i) any and all liability arising out of the application or use of any product, (ii) any and all liability, including without limitation special, consequential or incidental damages, and (iii) any and all implied warranties, including warranties of fitness for particular purpose, non-infringement and merchantability.

Statements regarding the suitability of products for certain types of applications are based on Vishay's knowledge of typical requirements that are often placed on Vishay products in generic applications. Such statements are not binding statements about the suitability of products for a particular application. It is the customer's responsibility to validate that a particular product with the properties described in the product specification is suitable for use in a particular application. Parameters provided in datasheets and / or specifications may vary in different applications and performance may vary over time. All operating parameters, including typical parameters, must be validated for each customer application by the customer's technical experts. Product specifications do not expand or otherwise modify Vishay's terms and conditions of purchase, including but not limited to the warranty expressed therein.

Hyperlinks included in this datasheet may direct users to third-party websites. These links are provided as a convenience and for informational purposes only. Inclusion of these hyperlinks does not constitute an endorsement or an approval by Vishay of any of the products, services or opinions of the corporation, organization or individual associated with the third-party website. Vishay disclaims any and all liability and bears no responsibility for the accuracy, legality or content of the third-party website or for that of subsequent links.

Except as expressly indicated in writing, Vishay products are not designed for use in medical, life-saving, or life-sustaining applications or for any other application in which the failure of the Vishay product could result in personal injury or death. Customers using or selling Vishay products not expressly indicated for use in such applications do so at their own risk. Please contact authorized Vishay personnel to obtain written terms and conditions regarding products designed for such applications.

No license, express or implied, by estoppel or otherwise, to any intellectual property rights is granted by this document or by any conduct of Vishay. Product names and markings noted herein may be trademarks of their respective owners.