

METRIC

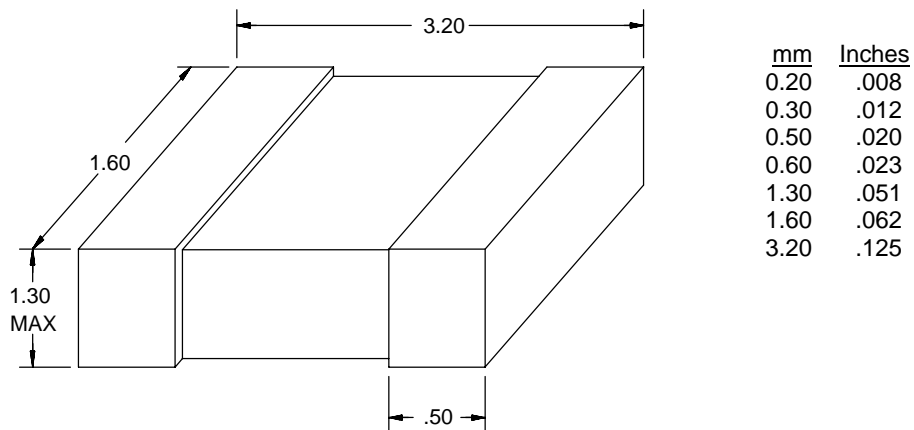
MIL-PRF-55681/8C
11 October 2006
SUPERSEDING
MIL-C-55681/8B
3 July 1997

PERFORMANCE SPECIFICATION SHEET

CAPACITORS, CHIP, MULTIPLE LAYER, FIXED, CERAMIC DIELECTRIC,
ESTABLISHED RELIABILITY AND NON-ESTABLISHED RELIABILITY,
STYLE CDR32, METRIC

This specification is approved for use by all Departments and Agencies
of the Department of Defense.

The requirements for acquiring the product described herein
shall consist of this specification sheet and [MIL-PRF-55681](#).



NOTES:

1. Dimensions are in millimeters.
2. Unless otherwise specified, tolerance is ± 0.20 mm (.008 inch).
3. Dimensions and tolerances are for bare chips. For solder coated terminations add 0.60 mm (.023 inch) to the positive length tolerance and 0.30 mm (.012 inch) to the positive width and thickness tolerance.
4. Inch equivalents are given for general information only.

FIGURE 1. Style CDR32 capacitors.

AMSC N/A
DISTRIBUTION STATEMENT A. Approved for public release; distribution is unlimited.

FSC 5910

REQUIREMENTS:

Dimensions and configuration: See [figure 1](#).

Capacitance value: See [table I](#).

Capacitance tolerance: See [table I](#).

Rated voltage: See [table I](#).

Operating temperature range: -55° C to +125° C.

Product level designator: Non-established Reliability - C; Established Reliability - M, P, R, and S.

Marking: In accordance with [MIL-PRF-55681](#).

TABLE I. Style CDR32 capacitor characteristics.

Part or Identifying Number (PIN) ^{1/}	Capacitance pF	Capacitance tolerance	Rated temperature and voltage-temperature limits	Rated voltage V dc
CDR32BP1R0B ---	1.0	B, C	BP	100
CDR32BP1R1B ---	1.1	B, C	BP	100
CDR32BP1R2B ---	1.2	B, C	BP	100
CDR32BP1R3B ---	1.3	B, C	BP	100
CDR32BP1R5B ---	1.5	B, C	BP	100
CDR32BP1R6B ---	1.6	B, C	BP	100
CDR32BP1R8B ---	1.8	B, C	BP	100
CDR32BP2R0B ---	2.0	B, C	BP	100
CDR32BP2R2B ---	2.2	B, C	BP	100
CDR32BP2R4B ---	2.4	B, C	BP	100
CDR32BP2R7B ---	2.7	B, C, D	BP	100
CDR32BP3R0B ---	3.0	B, C, D	BP	100
CDR32BP3R3B ---	3.3	B, C, D	BP	100
CDR32BP3R6B ---	3.6	B, C, D	BP	100
CDR32BP3R9B ---	3.9	B, C, D	BP	100
CDR32BP4R3B ---	4.3	B, C, D	BP	100
CDR32BP4R7B ---	4.7	B, C, D	BP	100
CDR32BP5R1B ---	5.1	B, C, D	BP	100
CDR32BP5R6B ---	5.6	B, C, D	BP	100
CDR32BP6R2B ---	6.2	B, C, D	BP	100
CDR32BP6R8B ---	6.8	B, C, D	BP	100
CDR32BP7R5B ---	7.5	B, C, D	BP	100
CDR32BP8R2B ---	8.2	B, C, D	BP	100
CDR32BP9R1B ---	9.1	B, C, D	BP	100
CDR32BP100B ---	10	F, J, K	BP	100
CDR32BP110B ---	11	F, J, K	BP	100
CDR32BP120B ---	12	F, J, K	BP	100
CDR32BP130B ---	13	F, J, K	BP	100
CDR32BP150B ---	15	F, J, K	BP	100
CDR32BP160B ---	16	F, J, K	BP	100
CDR32BP180B ---	18	F, J, K	BP	100
CDR32BP200B ---	20	F, J, K	BP	100

^{1/} See footnote at end of table.

TABLE I. Style CDR32 capacitor characteristics - Continued.

PIN ^{1/}	Capacitance pF	Capacitance tolerance	Rated temperature and voltage-temperature limits	Rated voltage V dc
CDR32BP220B ---	22	F, J, K	BP	100
CDR32BP240B ---	24	F, J, K	BP	100
CDR32BP270B ---	27	F, J, K	BP	100
CDR32BP300B ---	30	F, J, K	BP	100
CDR32BP330B ---	33	F, J, K	BP	100
CDR32BP360B ---	36	F, J, K	BP	100
CDR32BP390B ---	39	F, J, K	BP	100
CDR32BP430B ---	43	F, J, K	BP	100
CDR32BP470B ---	47	F, J, K	BP	100
CDR32BP510B ---	51	F, J, K	BP	100
CDR32BP560B ---	56	F, J, K	BP	100
CDR32BP620B ---	62	F, J, K	BP	100
CDR32BP680B ---	68	F, J, K	BP	100
CDR32BP750B ---	75	F, J, K	BP	100
CDR32BP820B ---	82	F, J, K	BP	100
CDR32BP910B ---	91	F, J, K	BP	100
CDR32BP101B ---	100	F, J, K	BP	100
CDR32BP111B ---	110	F, J, K	BP	100
CDR32BP121B ---	120	F, J, K	BP	100
CDR32BP131B ---	130	F, J, K	BP	100
CDR32BP151B ---	150	F, J, K	BP	100
CDR32BP161B ---	160	F, J, K	BP	100
CDR32BP181B ---	180	F, J, K	BP	100
CDR32BP201B ---	200	F, J, K	BP	100
CDR32BP221B ---	220	F, J, K	BP	100
CDR32BP241B ---	240	F, J, K	BP	100
CDR32BP271B ---	270	F, J, K	BP	100
CDR32BP301B ---	300	F, J, K	BP	100
CDR32BP331B ---	330	F, J, K	BP	100
CDR32BP361B ---	360	F, J, K	BP	100
CDR32BP391B ---	390	F, J, K	BP	100
CDR32BP431B ---	430	F, J, K	BP	100
CDR32BP471B ---	470	F, J, K	BP	100
CDR32BP511B ---	510	F, J, K	BP	100
CDR32BP561B ---	560	F, J, K	BP	100
CDR32BP621B ---	620	F, J, K	BP	100
CDR32BP681B ---	680	F, J, K	BP	100
CDR32BP751B ---	750	F, J, K	BP	100
CDR32BP821B ---	820	F, J, K	BP	100
CDR32BP911B ---	910	F, J, K	BP	100
CDR32BP102B ---	1,000	F, J, K	BP	100
CDR32BP112A ---	1,100	F, J, K	BP	50
CDR32BP122A ---	1,200	F, J, K	BP	50
CDR32BP132A ---	1,300	F, J, K	BP	50
CDR32BP152A ---	1,500	F, J, K	BP	50
CDR32BP162A ---	1,600	F, J, K	BP	50

^{1/} See footnote at end of table.

TABLE I. Style CDR32 capacitor characteristics - Continued.

PIN ^{1/}	Capacitance pF	Capacitance tolerance	Rated temperature and voltage-temperature limits	Rated voltage V dc
CDR32BP182A ---	1,800	F, J, K	BP	50
CDR32BP202A ---	2,000	F, J, K	BP	50
CDR32BP222A ---	2,200	F, J, K	BP	50
CDR32BX472B ---	4,700	K, M	BX	100
CDR32BX562B ---	5,600	K, M	BX	100
CDR32BX682B ---	6,800	K, M	BX	100
CDR32BX822B ---	8,200	K, M	BX	100
CDR32BX103B ---	10,000	K, M	BX	100
CDR32BX123B ---	12,000	K, M	BX	100
CDR32BX153B ---	15,000	K, M	BX	100
CDR32BX183A ---	18,000	K, M	BX	50
CDR32BX223A ---	22,000	K, M	BX	50
CDR32BX273A ---	27,000	K, M	BX	50
CDR32BX333A ---	33,000	K, M	BX	50
CDR32BX393A ---	39,000	K, M	BX	50

^{1/} The complete PIN will include additional symbols to indicate capacitance tolerance, termination and product level.

CHANGES FROM PREVIOUS ISSUE: The margins of this specification sheet are marked with asterisks to indicate where changes from the previous issue were made. This was done as a convenience only and the Government assumes no liability whatsoever for any inaccuracies in these notations. Bidders and contractors are cautioned to evaluate the requirements of this document based on the entire content irrespective of the marginal notations and relationship to the last previous issue.

Custodians:
Army - CR
Navy - EC
Air Force - 11
DLA - CC

Preparing activity:
Army - CR

Agent:
DLA - CC

Review activities:
Navy - AS, MC, OS, SH
Air Force - 19, 99

(Project 5910-2006-052)

* NOTE: The activities listed above were interested in this document as of the date of this document. Since organizations and responsibilities can change, you should verify the currency of the information above using the ASSIST Online database at <http://assist.daps.dla.mil>.