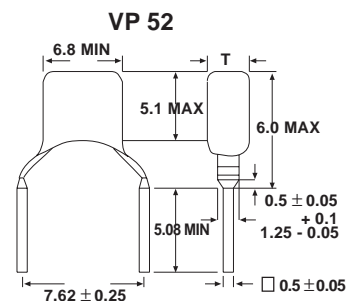
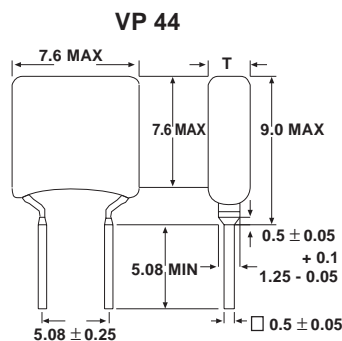
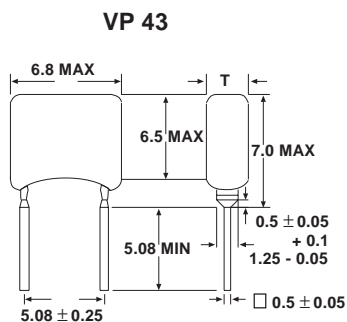
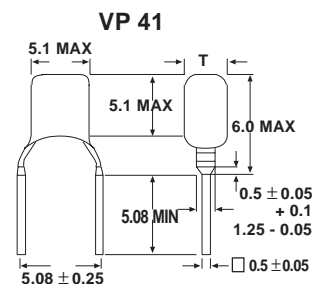
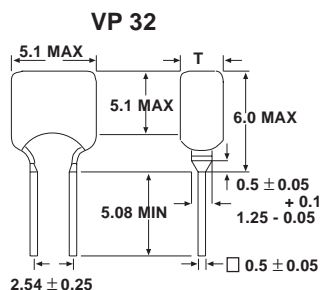
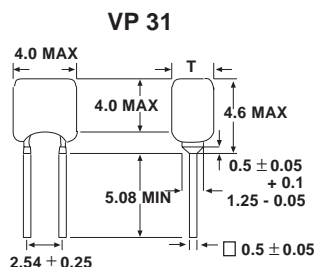


## Dipped Radial Multilayer Ceramic Capacitors C0G (NP0)

**DIMENSIONS** in millimeters



Dimension T. (thickness) can be found on the next page above the values matrix

### TOLERANCES AVAILABLE

Values < 10pF: D = ± 0.5pF

Values ≥ 10pF: J = ± 5%, K = ± 10%.

Values ≥ 100pF: F = ± 1%, G = ± 2%, J = ± 5%, K = ± 10%.

### ORDERING INFORMATION

Type: _____	<b>VP 31</b>	<b>B</b>	<b>A</b>	<b>104</b>	<b>J</b>	<b>C</b>	<b>T</b>
Temperature range: (- 55°C to + 125°C) _____							
Dielectric A = NP0: _____							
Capacitance acc. to EIA: _____							
Tolerance acc. to EIA: _____							
Rated Voltage: C = 200 V, E = 500 V _____							
Packaging: Bulk = none, T = Taped, A = Ammopack _____							

Capacitance values are in pF. The first two digits give the nominal value, the third digit gives the number of zeros to follow, e.g. 101 = 100pF. For values below 10pF the decimal point in the second position is replaced by R, e.g. 8R2 = 8.2pF



Dipped Radial Multilayer Ceramic Capacitors COG (NP0)

Vishay

TYPE		VP31		VP32		VP41		VP43		VP44			VP52	
THICKNESS T		3.20		3.20		3.20		3.20		3.20	3.20	5.00	3.20	
RATED VOLTAGE		200	500	200	500	200	500	200	500	200	500	500	200	500
CODE	VALUE													
1R0	1pF													
1R2	1.2pF													
1R5	1.5pF													
1R8	1.8pF													
2R2	2.2pF													
2R7	2.7pF													
3R3	3.3pF													
3R9	3.9pF													
4R7	4.7pF													
5R6	5.6pF													
6R8	6.8pF													
8R2	8.2pF													
100	10pF													
120	12pF													
150	15pF													
180	18pF													
220	22pF													
270	27pF													
330	33pF													
390	39pF													
470	47pF													
560	56pF													
680	68pF													
820	82pF													
101	100pF													
121	120pF													
151	150pF													
181	180pF													
221	220pF													
271	270pF													
331	330pF													
391	390pF													
471	470pF													
561	560pF													
681	680pF													
821	820pF													
102	1000pF													
122	1200pF													
152	1500pF													
182	1800pF													
222	2200pF													
272	2700pF													
332	3300pF													
392	3900pF													
472	4700pF													
562	5600pF													
682	6800pF													
822	8200pF													
103	0.010μF													
123	0.012μF													
153	0.015μF													
183	0.018μF													
223	0.022μF													
273	0.027μF													
333	0.033μF													
393	0.039μF													

● Only in 10%