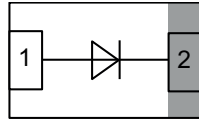


## Small Signal Fast Switching Diode



### FEATURES

- Silicon epitaxial planar diode
- Fast switching diode
- Leadless ultra small DFN1006-2A package (1 mm × 0.6 mm × 0.45 mm)
- Power dissipation better than SOT-23
- Surface-mounted device (SMD) plastic package with visible and sidewall plated / wettable flanks
- Soldering can be checked by standard visual inspection. No X-ray inspection necessary to meet automotive AOI requirements
- AEC-Q101 qualified available
- Material categorization: for definitions of compliance please see [www.vishay.com/doc?99912](http://www.vishay.com/doc?99912)

AUTOMOTIVE GRADE Available


**RoHS**  
 COMPLIANT  
 HALOGEN  
**FREE**  
**GREEN**  
 (5-2008)

### LINKS TO ADDITIONAL RESOURCES



### MECHANICAL DATA

**Case:** DFN1006-2A

**Weight:** 0.83 mg

**Molding compound flammability rating:** UL 94 V-0

**Terminals:** high temperature soldering guaranteed:  
 Peak temperature max. 260 °C

**Packaging codes / options:**

08/10K per 7" reel (8 mm tape)

### PARTS TABLE

PART	ORDERING CODE	AEC-Q101 QUALIFIED	CIRCUIT CONFIGURATION	TYPE MARKING	REMARKS
BAS16L	BAS16L-G3-08	no	Single	.D	Tape and reel
	BAS16L-HG3-08	yes			

### ABSOLUTE MAXIMUM RATINGS (T<sub>amb</sub> = 25 °C, unless otherwise specified)

PARAMETER	TEST CONDITION	SYMBOL	VALUE	UNIT
Reverse voltage		V <sub>R</sub>	100	V
Forward current	on FR-4 board with recommended soldering footprint	I <sub>F</sub>	250	mA
Non repetitive forward current <sup>(1)</sup>	t <sub>p</sub> = 1 μs	I <sub>FSM</sub>	9	A
	t <sub>p</sub> = 1 ms		1.7	
	t <sub>p</sub> = 1 s		0.5	
Repetitive peak forward current	T <sub>L</sub> = 100 °C, t <sub>p</sub> ≤ 1 ms, D = 0.05	I <sub>FRM</sub>	500	mA
Power dissipation	on FR-4 board with recommended soldering footprint	P <sub>tot</sub>	300	mW
	R <sub>thJL</sub> = 100 K/W		1250	mW

**Note**
<sup>(1)</sup> Square wave, T<sub>j</sub> = 25 °C prior to surge

### THERMAL CHARACTERISTICS (T<sub>amb</sub> = 25 °C, unless otherwise specified)

PARAMETER	TEST CONDITION	SYMBOL	VALUE	UNIT
Thermal resistance junction to ambient air	according to JEDEC® 51-3 on FR-4 board with recommended soldering footprint	R <sub>thJA</sub>	420	K/W
Thermal resistance junction to lead		R <sub>thJL</sub>	100	K/W
Maximum junction temperature		T <sub>j max.</sub>	150	°C
Storage temperature range		T <sub>stg</sub>	-55 to +150	°C
Operating temperature range		T <sub>op</sub>	-55 to +150	°C

<b>ELECTRICAL CHARACTERISTICS</b> ( $T_{amb} = 25\text{ }^{\circ}\text{C}$ , unless otherwise specified)					
PARAMETER	TEST CONDITION	SYMBOL	TYP.	MAX.	UNIT
Forward voltage	$I_F = 150\text{ mA}$	$V_F$		1.250	V
	$I_F = 50\text{ mA}$			1.0	V
	$I_F = 10\text{ mA}$			0.86	V
	$I_F = 1\text{ mA}$			0.715	V
Leakage current	$V_R = 80\text{ V}$	$I_R$		500	nA
	$V_R = 80\text{ V}, T_J = 150\text{ }^{\circ}\text{C}$	$I_R$		100	$\mu\text{A}$
	$V_R = 100\text{ V}$	$I_R$		1	$\mu\text{A}$
Diode capacitance	$V_R = 0\text{ V}, f = 1\text{ MHz}$	$C_D$	0.36	2	pF
Reverse recovery time	$I_F = 10\text{ mA}, I_R = 10\text{ mA}, i_R = 1\text{ mA}$	$t_{rr}$		4	ns

**TYPICAL CHARACTERISTICS** ( $T_{amb} = 25\text{ }^{\circ}\text{C}$ , unless otherwise specified)

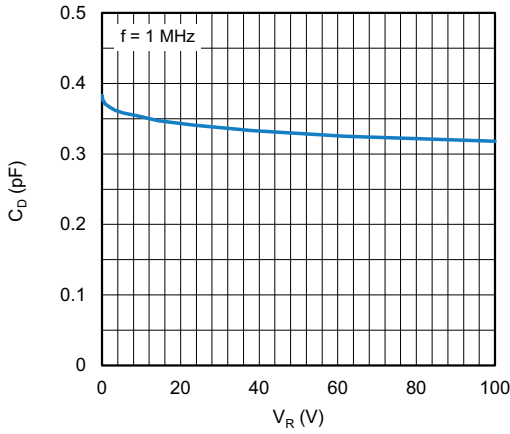


Fig. 1 - Typical Capacitance vs. Reverse Voltage

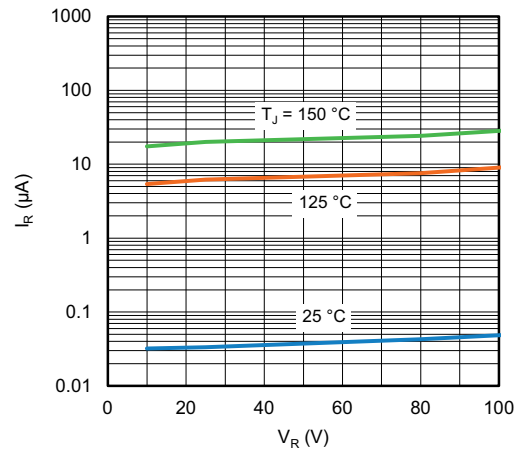


Fig. 3 - Typical Reverse Leakage Current vs. Reverse Voltage

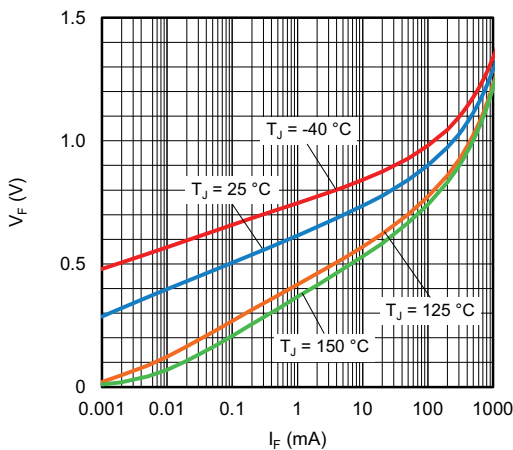
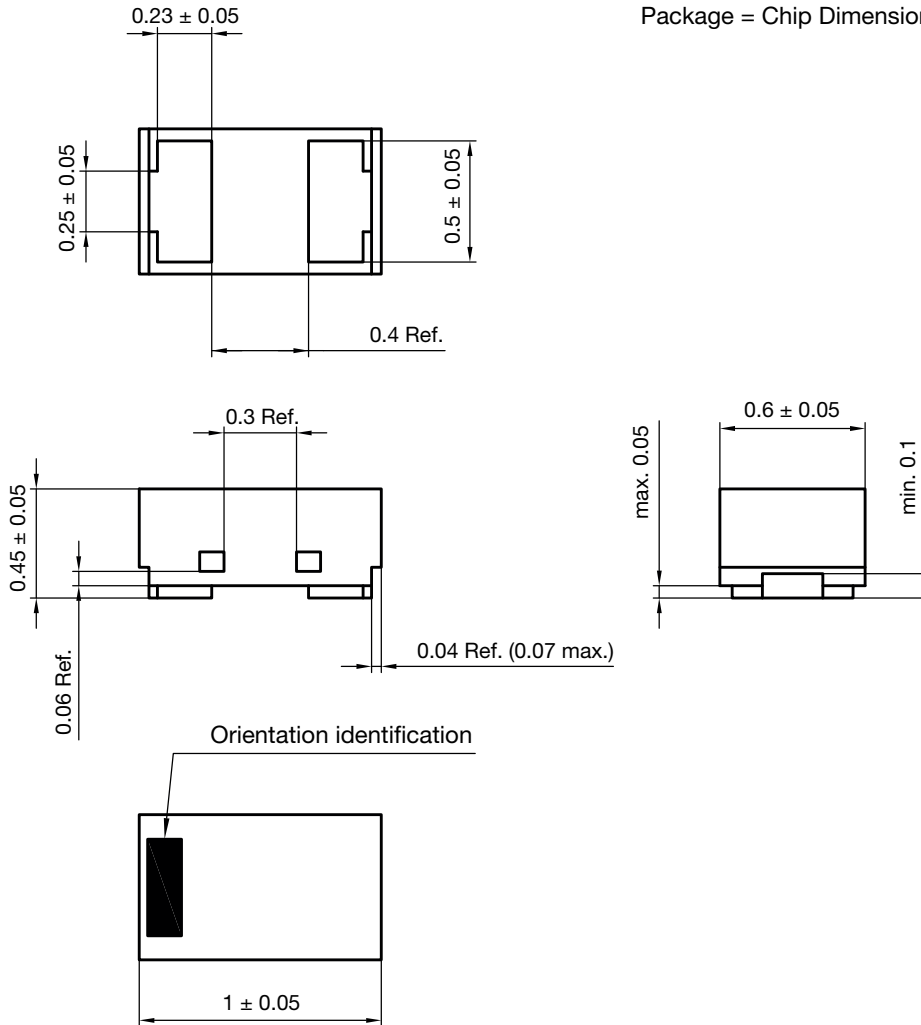


Fig. 2 - Typical Forward Voltage vs. Forward Current

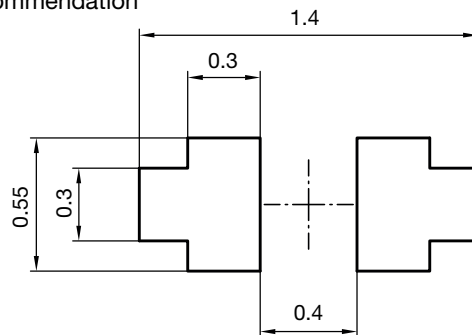


**PACKAGE DIMENSIONS** in millimeters: **DFN1006-2A**

Package = Chip Dimension in mm



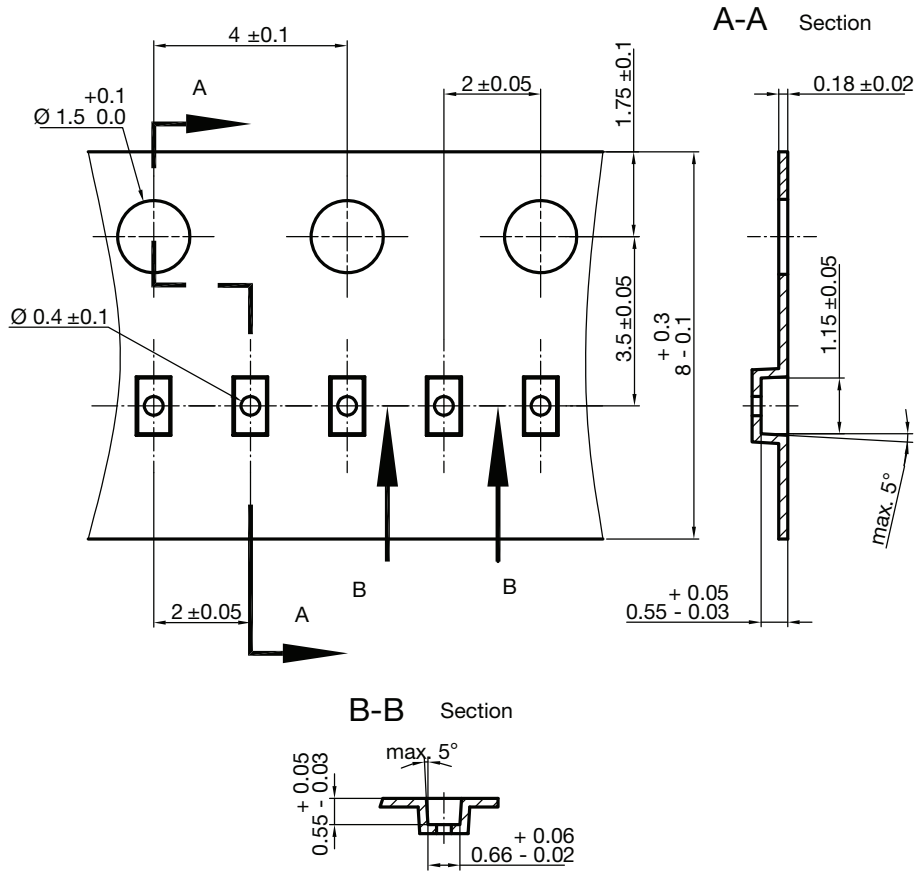
**Footprint recommendation**



Document no.: S8-V-3906.04-059 (4)  
Created - Date: 11-Jul-2018  
Rev.5 - Date: 17-Sep-2021

23191

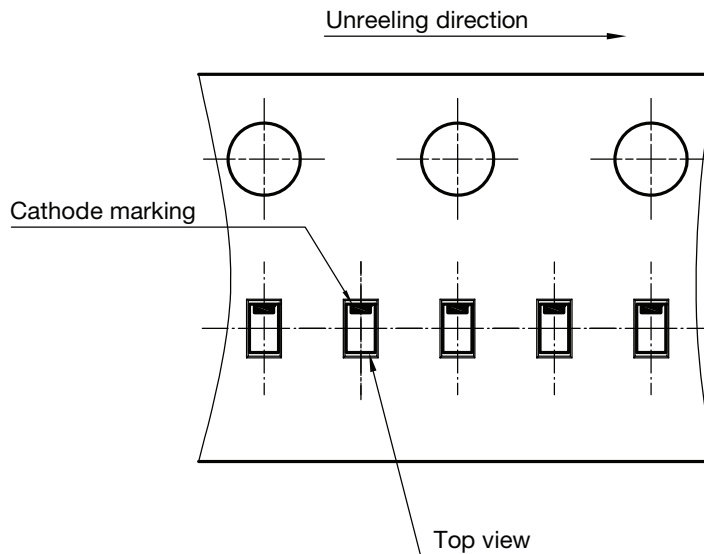
**CARRIER TAPE DFN1006-2A**



surface resistance:  $10^5 - 10^{11} \frac{\text{OHMS}}{\text{SQ}}$   
 Cumulative tolerances of 10 sprocket holes is  $\pm 0.2$  mm

S8-V-3906.04-063 (4)  
 created 28.10.2019

**ORIENTATION IN CARRIER TAPE DFN1006-2A**



S8-V-3906.04-064 (4)  
 created 28.10.2019



## **Disclaimer**

ALL PRODUCT, PRODUCT SPECIFICATIONS AND DATA ARE SUBJECT TO CHANGE WITHOUT NOTICE TO IMPROVE RELIABILITY, FUNCTION OR DESIGN OR OTHERWISE.

Vishay Intertechnology, Inc., its affiliates, agents, and employees, and all persons acting on its or their behalf (collectively, "Vishay"), disclaim any and all liability for any errors, inaccuracies or incompleteness contained in any datasheet or in any other disclosure relating to any product.

Vishay makes no warranty, representation or guarantee regarding the suitability of the products for any particular purpose or the continuing production of any product. To the maximum extent permitted by applicable law, Vishay disclaims (i) any and all liability arising out of the application or use of any product, (ii) any and all liability, including without limitation special, consequential or incidental damages, and (iii) any and all implied warranties, including warranties of fitness for particular purpose, non-infringement and merchantability.

Statements regarding the suitability of products for certain types of applications are based on Vishay's knowledge of typical requirements that are often placed on Vishay products in generic applications. Such statements are not binding statements about the suitability of products for a particular application. It is the customer's responsibility to validate that a particular product with the properties described in the product specification is suitable for use in a particular application. Parameters provided in datasheets and / or specifications may vary in different applications and performance may vary over time. All operating parameters, including typical parameters, must be validated for each customer application by the customer's technical experts. Product specifications do not expand or otherwise modify Vishay's terms and conditions of purchase, including but not limited to the warranty expressed therein.

Hyperlinks included in this datasheet may direct users to third-party websites. These links are provided as a convenience and for informational purposes only. Inclusion of these hyperlinks does not constitute an endorsement or an approval by Vishay of any of the products, services or opinions of the corporation, organization or individual associated with the third-party website. Vishay disclaims any and all liability and bears no responsibility for the accuracy, legality or content of the third-party website or for that of subsequent links.

Except as expressly indicated in writing, Vishay products are not designed for use in medical, life-saving, or life-sustaining applications or for any other application in which the failure of the Vishay product could result in personal injury or death. Customers using or selling Vishay products not expressly indicated for use in such applications do so at their own risk. Please contact authorized Vishay personnel to obtain written terms and conditions regarding products designed for such applications.

No license, express or implied, by estoppel or otherwise, to any intellectual property rights is granted by this document or by any conduct of Vishay. Product names and markings noted herein may be trademarks of their respective owners.