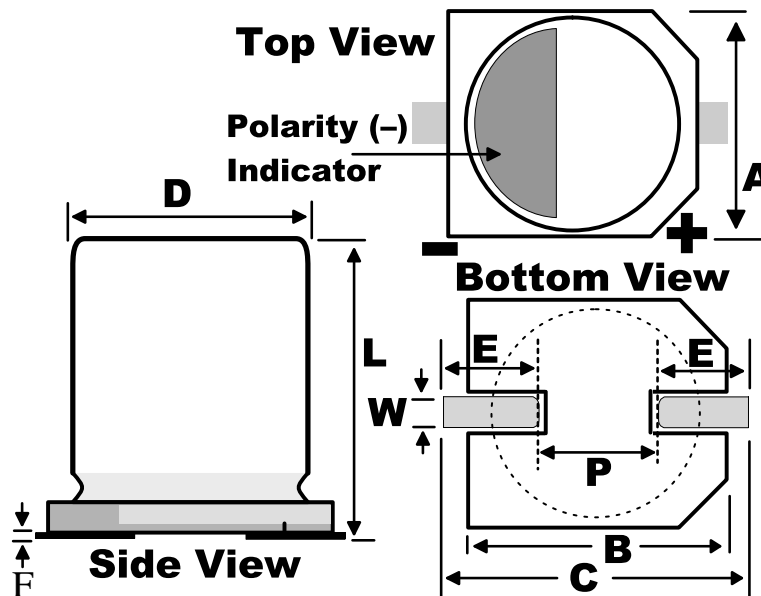


Capacitor, aluminum, 470 uF, +/-20% Tol, 25V@105C



Dimensions (mm)

ID	Dimension	Tolerance
D	10	+/-0.5
L	10.2	+/-0.3
A	10.3	+/-0.2
B	10.3	+/-0.2
C	13	max
W	0.9	+/-0.2
E	3.5	+/-0.2
P	4.6	+/-0.2
F	0.3	max

Specifications

Manufacturer:	KEMET
Capacitance:	470 uF
Rated Temperature:	105C
Voltage @ rated temp:	25V
Life @ rated temp:	2000 h
Temperature Range:	-40/+105C
RoHS:	Yes
Tolerance:	+/-20%
Part Type Description:	Surface Mount Polymer Aluminum
Style:	Surface Mount Vertical Can
Lead Type:	V-Chip
Lead Form:	Standard
Hi Temp Solder:	Yes
Leakage Current:	118 uA
Leakage Condition:	2min/20c
Dissipation Factor:	14%
Impedance Ratio -25C:	2.0
Impedance Ratio -40C:	3.0
Ripple 120Hz @ rated temp:	0.85 A
Package Kind:	T&R
Package Quantity:	500