

# 74LVC16374A; 74LVCH16374A

16-bit edge-triggered D-type flip-flop; 5 V tolerant; 3-state

Rev. 13 — 27 September 2021

Product data sheet

## 1. General description

The 74LVC16374A; 74LVCH16374A is a 16-bit edge-triggered D-type flip-flop with 3-state outputs. The device can be used as two 8-bit flip-flops or one 16-bit flip-flop. The device features two clocks (1CP and 2CP) and two output enables (1 $\overline{OE}$  and 2 $\overline{OE}$ ), each controlling 8-bits. The flip-flops will store the state of their individual D-inputs that meet the set-up and hold time requirements on the LOW-to-HIGH clock (nCP) transition. A HIGH on n $\overline{OE}$  causes the outputs to assume a high-impedance OFF-state. Operation of the n $\overline{OE}$  input does not affect the state of the flip-flops. Inputs can be driven from either 3.3 V or 5 V devices. This feature allows the use of these devices as translators in mixed 3.3 V and 5 V environments.

Schmitt-trigger action at all inputs makes the circuit tolerant of slower input rise and fall times.

This device is fully specified for partial power down applications using I<sub>OFF</sub>. The I<sub>OFF</sub> circuitry disables the output, preventing the potentially damaging backflow current through the device when it is powered down.

## 2. Features and benefits

- Overvoltage tolerant inputs to 5.5 V
- Wide supply voltage range from 1.2 V to 3.6 V
- CMOS low power dissipation
- Multibyte flow-through standard pinout architecture
- Low inductance multiple supply pins for minimum noise and ground bounce
- Direct interface with TTL levels
- All data inputs have bus hold (74LVCH16374A only)
- High-impedance outputs when V<sub>CC</sub> = 0 V
- I<sub>OFF</sub> circuitry provides partial Power-down mode operation
- Complies with JEDEC standard:
  - JESD8-7A (1.65 V to 1.95 V)
  - JESD8-5A (2.3 V to 2.7 V)
  - JESD8-C/JESD36 (2.7 V to 3.6 V)
- ESD protection:
  - HBM JESD22-A114F exceeds 2000 V
  - MM JESD22-A115-B exceeds 200 V
  - CDM JESD22-C101E exceeds 1000 V
- Specified from -40 °C to +85 °C and -40 °C to +125 °C

## 3. Ordering information

Table 1. Ordering information

Type number	Package			
	Temperature range	Name	Description	Version
74LVC16374ADGG	-40 °C to +125 °C	TSSOP48	plastic thin shrink small outline package; 48 leads; body width 6.1 mm	SOT362-1
74LVCH16374ADGG				

4. Functional diagram

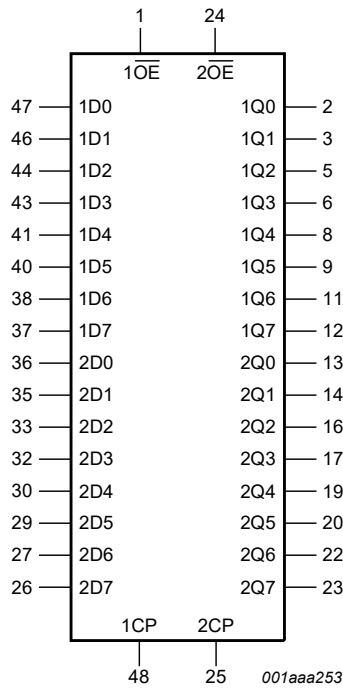


Fig. 1. Logic symbol

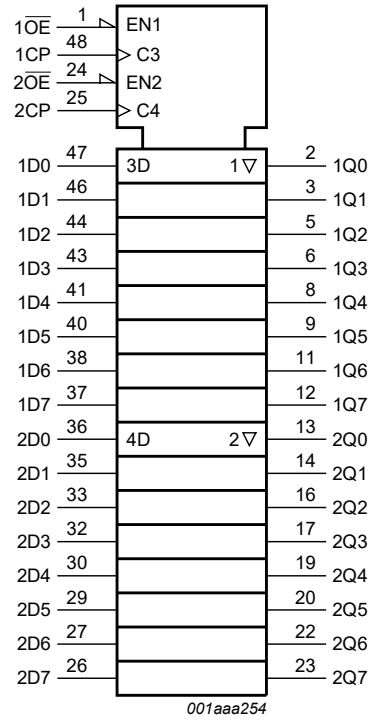


Fig. 2. IEC logic symbol

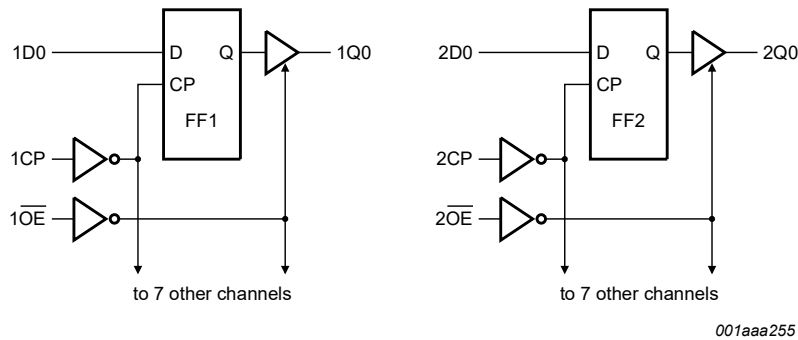


Fig. 3. Logic diagram

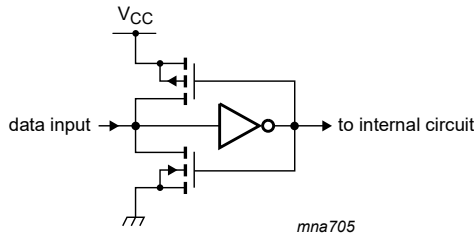


Fig. 4. Bus hold circuit

## 5. Pinning information

### 5.1. Pinning

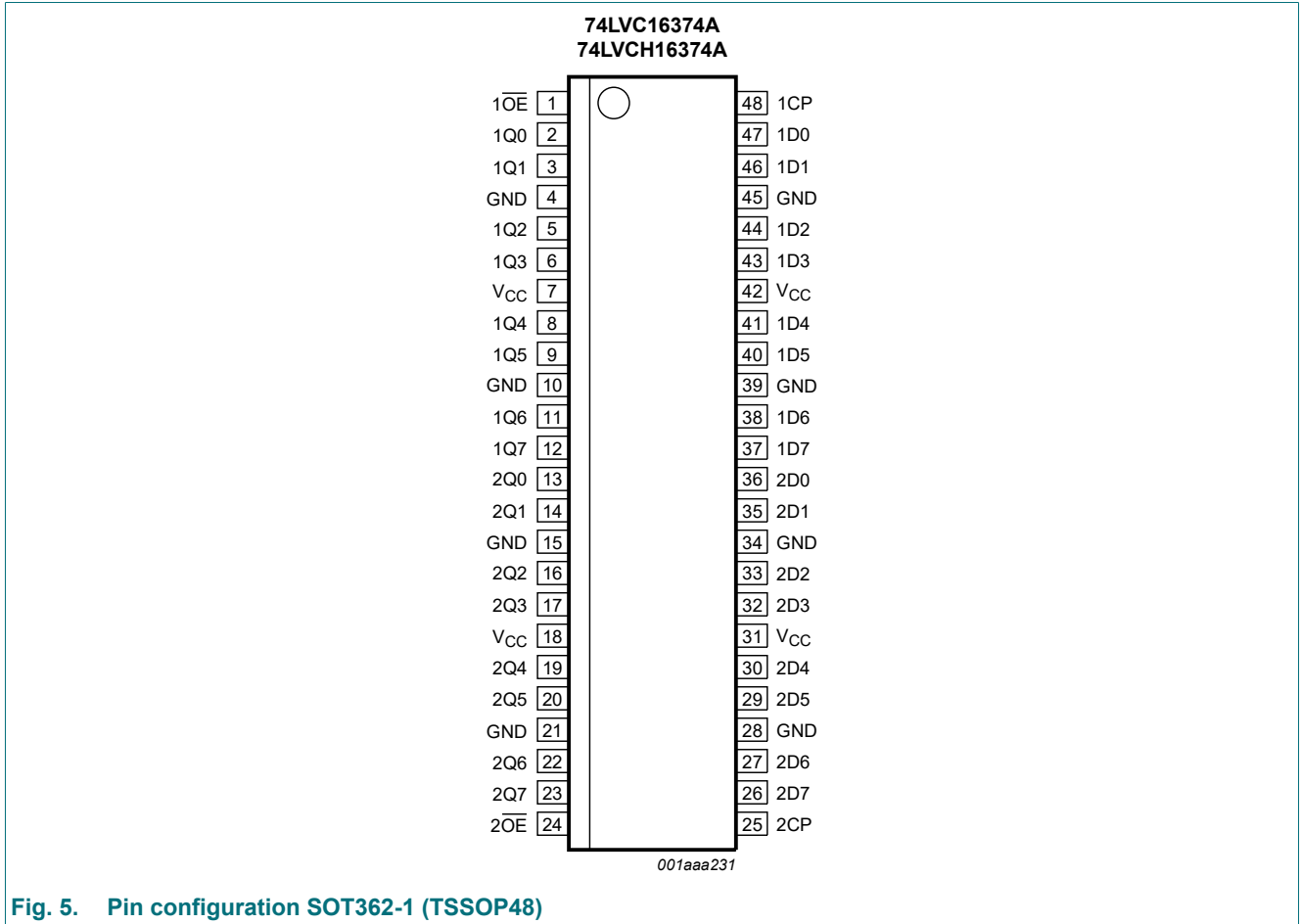


Fig. 5. Pin configuration SOT362-1 (TSSOP48)

### 5.2. Pin description

Table 2. Pin description

Symbol	Pin	Description
1OE, 2OE	1, 24	output enable input (active LOW)
GND	4, 10, 15, 21, 28, 34, 39, 45	ground (0 V)
V <sub>CC</sub>	7, 18, 31, 42	supply voltage
1Q0, 1Q1, 1Q2, 1Q3, 1Q4, 1Q5, 1Q6, 1Q7	2, 3, 5, 6, 8, 9, 11, 12	data output
2Q0, 2Q1, 2Q2, 2Q3, 2Q4, 2Q5, 2Q6, 2Q7	13, 14, 16, 17, 19, 20, 22, 23	data output
1D0, 1D1, 1D2, 1D3, 1D4, 1D5, 1D6, 1D7	47, 46, 44, 43, 41, 40, 38, 37	data input
2D0, 2D1, 2D2, 2D3, 2D4, 2D5, 2D6, 2D7	36, 35, 33, 32, 30, 29, 27, 26	data input
1CP, 2CP	48, 25	clock input

## 6. Functional description

**Table 3. Function selection**

*H = HIGH voltage level; h = HIGH voltage level one set-up time prior to the HIGH-to-LOW CP transition;  
L = LOW voltage level; l = LOW voltage level one set-up time prior to the HIGH-to-LOW CP transition;  
Z = high-impedance OFF-state; ↑ = LOW-to-HIGH transition.*

Operating mode	Input			Internal flip-flop	Output nQ0 to nQ7
	nOE	nCP	nDn		
Load and read register	L	↑	l	L	L
	L	↑	h	H	H
Load register and disable outputs	H	↑	l	L	Z
	H	↑	h	H	Z

## 7. Limiting values

**Table 4. Limiting values**

*In accordance with the Absolute Maximum Rating System (IEC 60134). Voltages are referenced to GND (ground = 0 V).*

Symbol	Parameter	Conditions	Min	Max	Unit
$V_{CC}$	supply voltage		-0.5	+6.5	V
$I_{IK}$	input clamping current	$V_I < 0$ V	-50	-	mA
$V_I$	input voltage		[1] -0.5	+6.5	V
$I_{OK}$	output clamping current	$V_O > V_{CC}$ or $V_O < 0$ V	-	±50	mA
$V_O$	output voltage	output HIGH-or LOW-state	[2] -0.5	$V_{CC} + 0.5$	V
		output 3-state	[2] -0.5	+6.5	V
$I_O$	output current	$V_O = 0$ V to $V_{CC}$	-	±50	mA
$I_{CC}$	supply current		-	100	mA
$I_{GND}$	ground current		-100	-	mA
$T_{stg}$	storage temperature		-65	+150	°C
$P_{tot}$	total power dissipation	$T_{amb} = -40$ °C to +125 °C	[3] -	500	mW

[1] The minimum input voltage ratings may be exceeded if the input current ratings are observed.

[2] The output voltage ratings may be exceeded if the output current ratings are observed.

[3] For SOT362-1 (TSSOP48) packages:  $P_{tot}$  derates linearly with 12.2 mW/K above 109 °C.

## 8. Recommended operating conditions

**Table 5. Recommended operating conditions**

Symbol	Parameter	Conditions	Min	Typ	Max	Unit
$V_{CC}$	supply voltage		1.65	-	3.6	V
		functional	1.2	-	-	V
$V_I$	input voltage		0	-	5.5	V
$V_O$	output voltage	active mode	0	-	$V_{CC}$	V
		power-down mode; $V_{CC} = 0$ V	0	-	5.5	V
$T_{amb}$	ambient temperature		-40	-	+125	°C
$\Delta t/\Delta V$	input transition rise and fall rate	$V_{CC} = 1.65$ V to 2.7 V	0	-	20	ns/V
		$V_{CC} = 2.7$ V to 3.6 V	0	-	10	ns/V

## 9. Static characteristics

**Table 6. Static characteristics**

At recommended operating conditions. Voltages are referenced to GND (ground = 0 V).

Symbol	Parameter	Conditions	-40 °C to +85 °C			-40 °C to +125 °C		Unit
			Min	Typ[1]	Max	Min	Max	
V <sub>IH</sub>	HIGH-level input voltage	V <sub>CC</sub> = 1.2 V	1.08	-	-	1.08	-	V
		V <sub>CC</sub> = 1.65 V to 1.95 V	0.65V <sub>CC</sub>	-	-	0.65V <sub>CC</sub>	-	V
		V <sub>CC</sub> = 2.3 V to 2.7 V	1.7	-	-	1.7	-	V
		V <sub>CC</sub> = 2.7 V to 3.6 V	2.0	-	-	2.0	-	V
V <sub>IL</sub>	LOW-level input voltage	V <sub>CC</sub> = 1.2 V	-	-	0.12	-	0.12	V
		V <sub>CC</sub> = 1.65 V to 1.95 V	-	-	0.35V <sub>CC</sub>	-	0.35V <sub>CC</sub>	V
		V <sub>CC</sub> = 2.3 V to 2.7 V	-	-	0.7	-	0.7	V
		V <sub>CC</sub> = 2.7 V to 3.6 V	-	-	0.8	-	0.8	V
V <sub>OH</sub>	HIGH-level output voltage	V <sub>I</sub> = V <sub>IH</sub> or V <sub>IL</sub>						
		I <sub>O</sub> = -100 µA; V <sub>CC</sub> = 1.65 V to 3.6 V	V <sub>CC</sub> - 0.2	V <sub>CC</sub>	-	V <sub>CC</sub> - 0.3	-	V
		I <sub>O</sub> = -4 mA; V <sub>CC</sub> = 1.65 V	1.2	-	-	1.05	-	V
		I <sub>O</sub> = -8 mA; V <sub>CC</sub> = 2.3 V	1.8	-	-	1.65	-	V
		I <sub>O</sub> = -12 mA; V <sub>CC</sub> = 2.7 V	2.2	-	-	2.05	-	V
		I <sub>O</sub> = -18 mA; V <sub>CC</sub> = 3.0 V	2.4	-	-	2.25	-	V
		I <sub>O</sub> = -24 mA; V <sub>CC</sub> = 3.0 V	2.2	-	-	2.0	-	V
V <sub>OL</sub>	LOW-level output voltage	V <sub>I</sub> = V <sub>IH</sub> or V <sub>IL</sub>						
		I <sub>O</sub> = 100 µA; V <sub>CC</sub> = 1.65 V to 3.6 V	-	0	0.2	-	0.3	V
		I <sub>O</sub> = 4 mA; V <sub>CC</sub> = 1.65 V	-	-	0.45	-	0.65	V
		I <sub>O</sub> = 8 mA; V <sub>CC</sub> = 2.3 V	-	-	0.6	-	0.8	V
		I <sub>O</sub> = 12 mA; V <sub>CC</sub> = 2.7 V	-	-	0.4	-	0.6	V
		I <sub>O</sub> = 24 mA; V <sub>CC</sub> = 3.0 V	-	-	0.55	-	0.8	V
I <sub>I</sub>	input leakage current	V <sub>CC</sub> = 3.6 V; V <sub>I</sub> = 5.5 V or GND [2]	-	±0.1	±5	-	±20	µA
I <sub>OZ</sub>	OFF-state output current	V <sub>I</sub> = V <sub>IH</sub> or V <sub>IL</sub> ; V <sub>CC</sub> = 3.6 V; V <sub>O</sub> = 5.5 V or GND [2]	-	±0.1	±5	-	±20	µA
I <sub>OFF</sub>	power-off leakage current	V <sub>CC</sub> = 0 V; V <sub>I</sub> or V <sub>O</sub> = 5.5 V	-	±0.1	±10	-	±20	µA
I <sub>CC</sub>	supply current	V <sub>CC</sub> = 3.6 V; V <sub>I</sub> = V <sub>CC</sub> or GND; I <sub>O</sub> = 0 A	-	0.1	20	-	80	µA
ΔI <sub>CC</sub>	additional supply current	per input pin; V <sub>CC</sub> = 2.7 V to 3.6 V; V <sub>I</sub> = V <sub>CC</sub> - 0.6 V; I <sub>O</sub> = 0 A	-	5	500	-	5000	µA
C <sub>I</sub>	input capacitance	V <sub>CC</sub> = 0 V to 3.6 V; V <sub>I</sub> = GND to V <sub>CC</sub>	-	5.0	-	-	-	pF
I <sub>BHL</sub>	bus hold LOW current	V <sub>CC</sub> = 1.65; V <sub>I</sub> = 0.58 V [3] [4]	10	-	-	10	-	µA
		V <sub>CC</sub> = 2.3; V <sub>I</sub> = 0.7 V	30	-	-	25	-	µA
		V <sub>CC</sub> = 3.0; V <sub>I</sub> = 0.8 V	75	-	-	60	-	µA

Symbol	Parameter	Conditions	-40 °C to +85 °C			-40 °C to +125 °C		Unit
			Min	Typ[1]	Max	Min	Max	
I <sub>BHH</sub>	bus hold HIGH current	V <sub>CC</sub> = 1.65; V <sub>I</sub> = 1.07 V [3] [4]	-10	-	-	-10	-	µA
		V <sub>CC</sub> = 2.3; V <sub>I</sub> = 1.7 V	-30	-	-	-25	-	µA
		V <sub>CC</sub> = 3.0; V <sub>I</sub> = 2.0 V	-75	-	-	-60	-	µA
I <sub>BHLO</sub>	bus hold LOW overdrive current	V <sub>CC</sub> = 1.95 V [3] [5]	200	-	-	200	-	µA
		V <sub>CC</sub> = 2.7 V	300	-	-	300	-	µA
		V <sub>CC</sub> = 3.6 V	500	-	-	500	-	µA
I <sub>BHHO</sub>	bus hold HIGH overdrive current	V <sub>CC</sub> = 1.95 V [3] [5]	-200	-	-	-200	-	µA
		V <sub>CC</sub> = 2.7 V	-300	-	-	-300	-	µA
		V <sub>CC</sub> = 3.6 V	-500	-	-	-500	-	µA

- [1] All typical values are measured at V<sub>CC</sub> = 3.3 V (unless stated otherwise) and T<sub>amb</sub> = 25 °C.
- [2] The bus hold circuit is switched off when V<sub>I</sub> > V<sub>CC</sub> allowing 5.5 V on the input pin.
- [3] Valid for data inputs (74LVCH16374A) only; control inputs do not have a bus hold circuit.
- [4] The specified sustaining current at the data inputs holds the input below the specified V<sub>I</sub> level.
- [5] The specified overdrive current at the data input forces the data input to the opposite logic input state.

## 10. Dynamic characteristics

Table 7. Dynamic characteristics

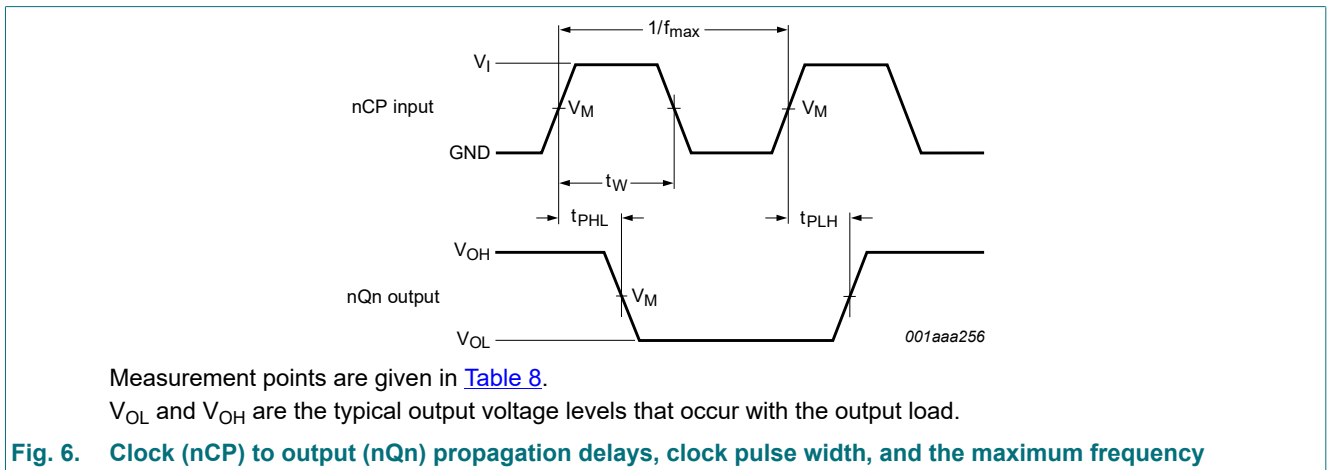
Voltages are referenced to GND (ground = 0 V). For test circuit see Fig. 9.

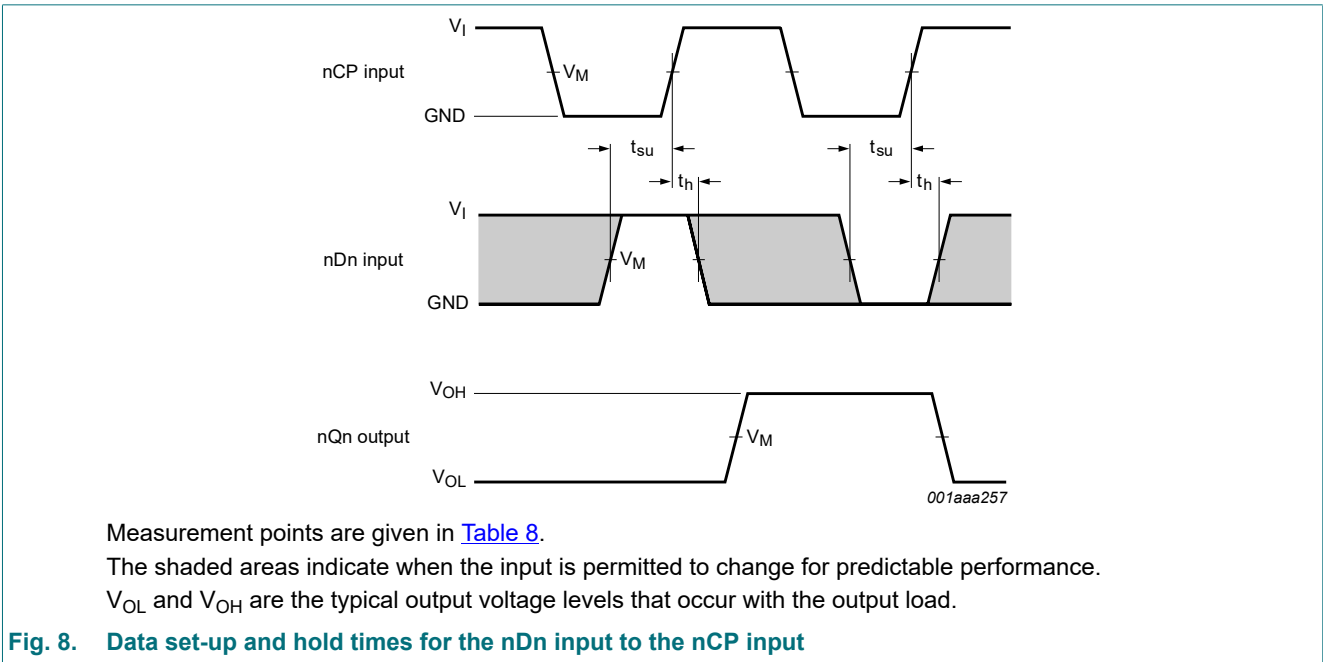
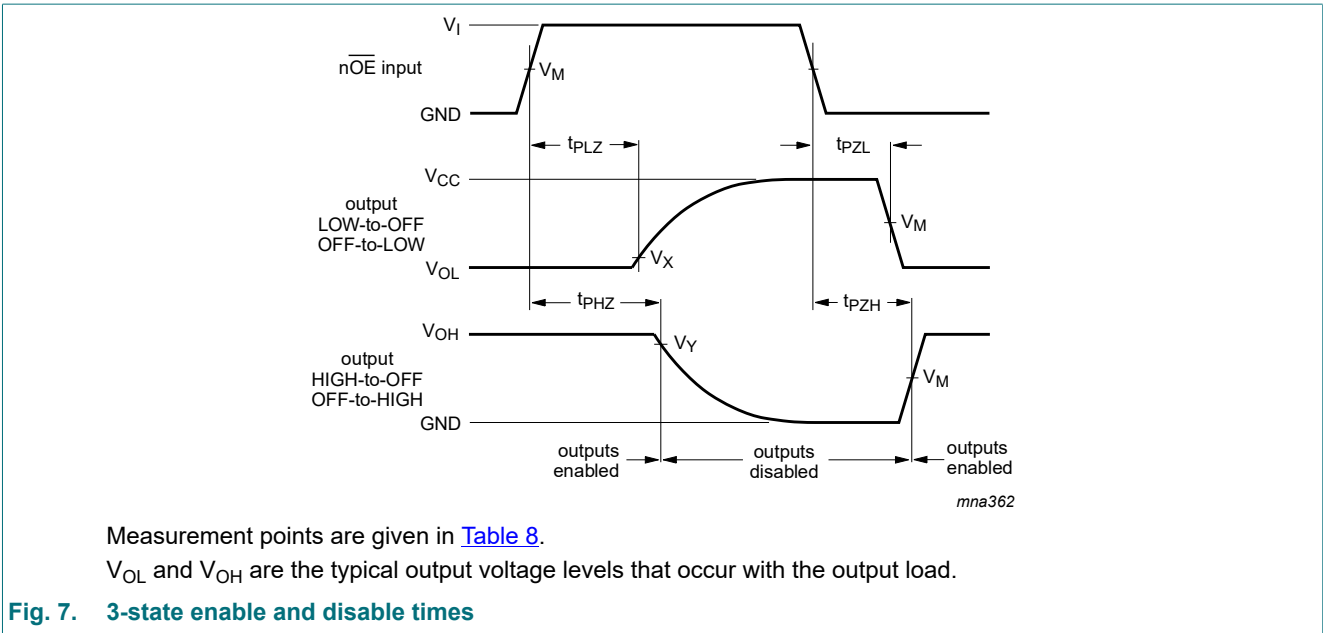
Symbol	Parameter	Conditions	-40 °C to +85 °C			-40 °C to +125 °C		Unit
			Min	Typ[1]	Max	Min	Max	
t <sub>pd</sub>	propagation delay	nCP to nQn; see Fig. 6 [2]						
		V <sub>CC</sub> = 1.2 V	-	14	-	-	-	ns
		V <sub>CC</sub> = 1.65 V to 1.95 V	2.1	6.9	13.5	2.1	15.6	ns
		V <sub>CC</sub> = 2.3 V to 2.7 V	1.5	3.7	6.7	1.5	7.7	ns
		V <sub>CC</sub> = 2.7 V	1.5	3.4	6.0	1.5	7.5	ns
		V <sub>CC</sub> = 3.0 V to 3.6 V	1.5	3.1	5.4	1.5	7.0	ns
t <sub>en</sub>	enable time	n $\overline{\text{OE}}$ to nQn; see Fig. 7 [2]						
		V <sub>CC</sub> = 1.2 V	-	20	-	-	-	ns
		V <sub>CC</sub> = 1.65 V to 1.95 V	1.5	5.9	13.1	1.5	15.1	ns
		V <sub>CC</sub> = 2.3 V to 2.7 V	1.5	3.4	6.9	1.5	8.0	ns
		V <sub>CC</sub> = 2.7 V	1.5	3.6	6.0	1.5	7.5	ns
		V <sub>CC</sub> = 3.0 V to 3.6 V	1.0	2.7	5.2	1.0	6.5	ns
t <sub>dis</sub>	disable time	n $\overline{\text{OE}}$ to nQn; see Fig. 7 [2]						
		V <sub>CC</sub> = 1.2 V	-	12	-	-	-	ns
		V <sub>CC</sub> = 1.65 V to 1.95 V	2.8	4.6	9.1	2.8	10.5	ns
		V <sub>CC</sub> = 2.3 V to 2.7 V	1.0	2.5	4.9	1.0	5.7	ns
		V <sub>CC</sub> = 2.7 V	1.5	3.4	5.1	1.5	6.5	ns
		V <sub>CC</sub> = 3.0 V to 3.6 V	1.5	3.1	4.9	1.5	6.5	ns
t <sub>w</sub>	pulse width	nCP HIGH; see Fig. 6						
		V <sub>CC</sub> = 1.65 V to 1.95 V	5.0	-	-	5.0	-	ns
		V <sub>CC</sub> = 2.3 V to 2.7 V	4.0	-	-	4.0	-	ns
		V <sub>CC</sub> = 2.7 V	3.0	-	-	3.0	-	ns
		V <sub>CC</sub> = 3.0 V to 3.6 V	3.0	1.5	-	3.0	-	ns

Symbol	Parameter	Conditions	-40 °C to +85 °C			-40 °C to +125 °C		Unit	
			Min	Typ[1]	Max	Min	Max		
t <sub>su</sub>	set-up time	nDn to nCP; see Fig. 8							
		V <sub>CC</sub> = 1.65 V to 1.95 V	4.0	-	-	4.0	-	ns	
		V <sub>CC</sub> = 2.3 V to 2.7 V	3.0	-	-	3.0	-	ns	
		V <sub>CC</sub> = 2.7 V	1.9	-	-	1.9	-	ns	
t <sub>h</sub>	hold time	nDn to nCP; see Fig. 8							
		V <sub>CC</sub> = 1.65 V to 1.95 V	3.0	-	-	3.0	-	ns	
		V <sub>CC</sub> = 2.3 V to 2.7 V	2.5	-	-	2.5	-	ns	
		V <sub>CC</sub> = 2.7 V	1.1	-	-	1.1	-	ns	
f <sub>max</sub>	maximum frequency	see Fig. 6							
		V <sub>CC</sub> = 1.65 V to 1.95 V	100	-	-	80	-	ns	
		V <sub>CC</sub> = 2.3 V to 2.7 V	125	-	-	100	-	ns	
		V <sub>CC</sub> = 2.7 V	150	-	-	120	-	MHz	
t <sub>sk(o)</sub>	output skew time	V <sub>CC</sub> = 3.0 V to 3.6 V [3]	-	-	1.0	-	1.5	ns	
		C <sub>PD</sub>	power dissipation capacitance	per input; V <sub>I</sub> = GND to V <sub>CC</sub> [4]					
		V <sub>CC</sub> = 1.65 V to 1.95 V	-	14.1	-	-	-	pF	
		V <sub>CC</sub> = 2.3 V to 2.7 V	-	16.4	-	-	-	pF	
C <sub>PD</sub>	power dissipation capacitance	V <sub>CC</sub> = 3.0 V to 3.6 V	-	18.5	-	-	-	pF	

- [1] Typical values are measured at T<sub>amb</sub> = 25 °C and V<sub>CC</sub> = 1.2 V, 1.8 V, 2.5 V, 2.7 V and 3.3 V respectively.
- [2] t<sub>pd</sub> is the same as t<sub>PLH</sub> and t<sub>PHL</sub>; t<sub>en</sub> is the same as t<sub>PZL</sub> and t<sub>PZH</sub>; t<sub>dis</sub> is the same as t<sub>PLZ</sub> and t<sub>PHZ</sub>.
- [3] Skew between any two outputs of the same package switching in the same direction. This parameter is guaranteed by design.
- [4] C<sub>PD</sub> is used to determine the dynamic power dissipation (P<sub>D</sub> in μW).  
 $P_D = C_{PD} \times V_{CC}^2 \times f_i \times N + \sum(C_L \times V_{CC}^2 \times f_o)$  where:  
 f<sub>i</sub> = input frequency in MHz; f<sub>o</sub> = output frequency in MHz  
 C<sub>L</sub> = output load capacitance in pF  
 V<sub>CC</sub> = supply voltage in Volts  
 N = number of inputs switching  
 Σ(C<sub>L</sub> × V<sub>CC</sub><sup>2</sup> × f<sub>o</sub>) = sum of the outputs

### 10.1. Waveforms and test circuit

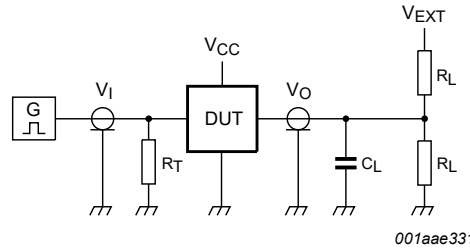
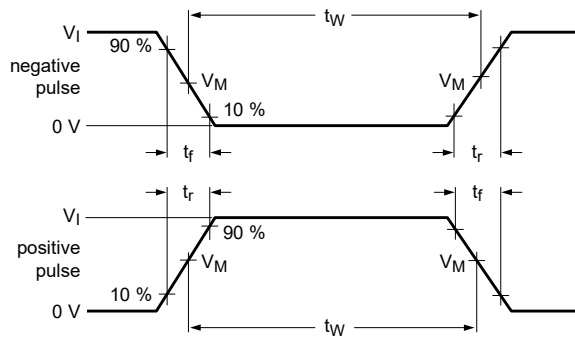




**Table 8. Measurement points**

Supply voltage	Input		Output		
	$V_I$	$V_M$	$V_M$	$V_X$	$V_Y$
1.2 V	$V_{CC}$	$0.5 \times V_{CC}$	$0.5 \times V_{CC}$	$V_{OL} + 0.15 \text{ V}$	$V_{OH} - 0.15 \text{ V}$
1.65 V to 1.95 V	$V_{CC}$	$0.5 \times V_{CC}$	$0.5 \times V_{CC}$	$V_{OL} + 0.15 \text{ V}$	$V_{OH} - 0.15 \text{ V}$
2.3 V to 2.7 V	$V_{CC}$	$0.5 \times V_{CC}$	$0.5 \times V_{CC}$	$V_{OL} + 0.15 \text{ V}$	$V_{OH} - 0.15 \text{ V}$
2.7 V	2.7 V	1.5 V	1.5 V	$V_{OL} + 0.3 \text{ V}$	$V_{OH} - 0.3 \text{ V}$
3.0 V to 3.6 V	2.7 V	1.5 V	1.5 V	$V_{OL} + 0.3 \text{ V}$	$V_{OH} - 0.3 \text{ V}$





001aae331

Test data is given in [Table 9](#).

Definitions for test circuit:

$R_L$  = Load resistance.

$C_L$  = Load capacitance including jig and probe capacitance.

$R_T$  = Termination resistance should be equal to output impedance  $Z_o$  of the pulse generator.

$V_{EXT}$  = External voltage for measuring switching times.

**Fig. 9. Test circuit for measuring switching times**

**Table 9. Test data**

Supply voltage	Input		Load		$V_{EXT}$		
	$V_I$	$t_r, t_f$	$C_L$	$R_L$	$t_{PLH}, t_{PHL}$	$t_{PLZ}, t_{PZL}$	$t_{PHZ}, t_{PZH}$
1.2 V	$V_{CC}$	$\leq 2$ ns	30 pF	1 k $\Omega$	open	$2 \times V_{CC}$	GND
1.65 V to 1.95 V	$V_{CC}$	$\leq 2$ ns	30 pF	1 k $\Omega$	open	$2 \times V_{CC}$	GND
2.3 V to 2.7 V	$V_{CC}$	$\leq 2$ ns	30 pF	500 $\Omega$	open	$2 \times V_{CC}$	GND
2.7 V	2.7 V	$\leq 2.5$ ns	50 pF	500 $\Omega$	open	$2 \times V_{CC}$	GND
3.0 V to 3.6 V	2.7 V	$\leq 2.5$ ns	50 pF	500 $\Omega$	open	$2 \times V_{CC}$	GND

11. Package outline

TSSOP48: plastic thin shrink small outline package; 48 leads; body width 6.1 mm

SOT362-1

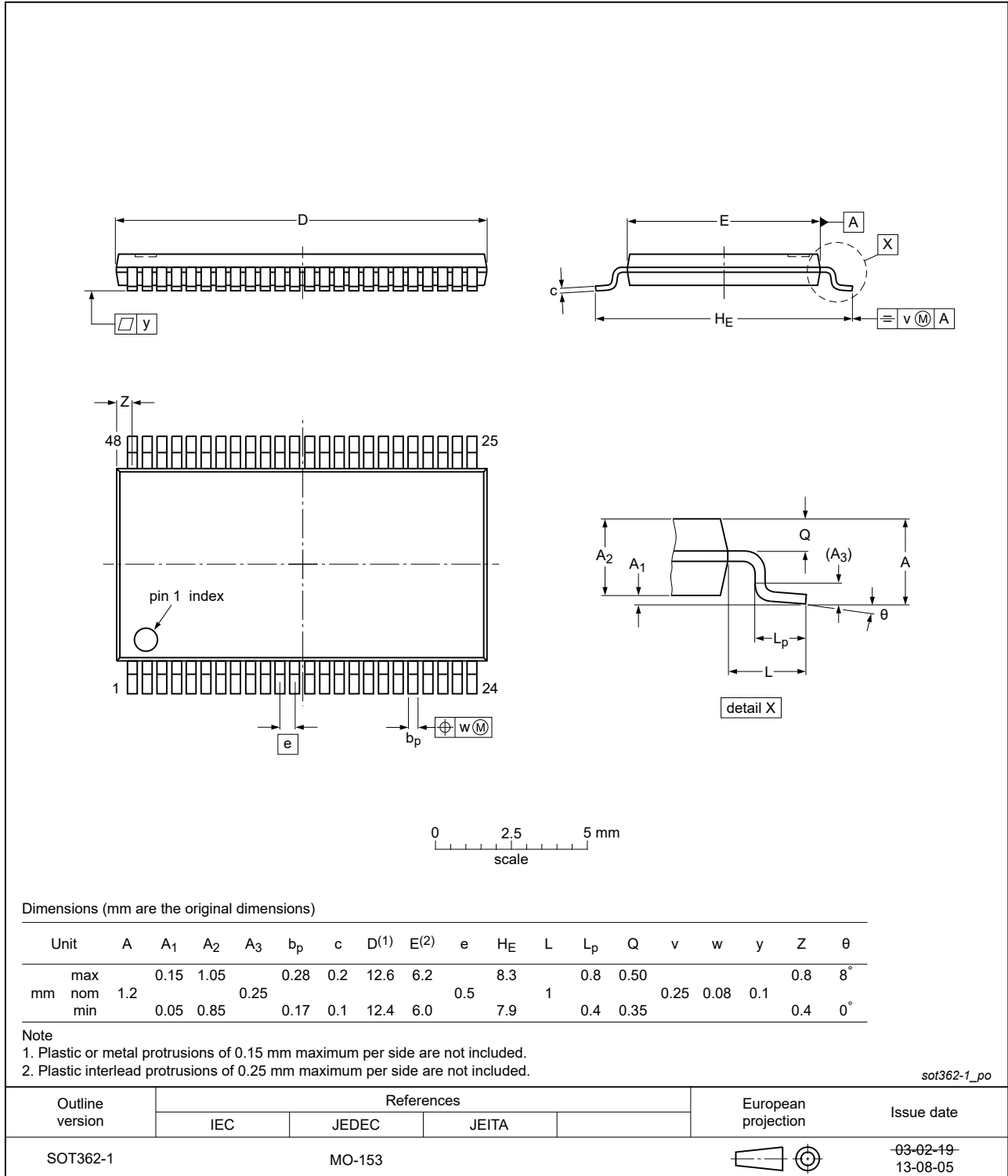


Fig. 10. Package outline SOT362-1 (TSSOP48)

## 12. Abbreviations

Table 10. Abbreviations

Acronym	Description
CDM	Charged Device Model
CMOS	Complementary Metal Oxide Semiconductor
DUT	Device Under Test
ESD	ElectroStatic Discharge
HBM	Human Body Model
MM	Machine Model
TTL	Transistor-Transistor Logic

## 13. Revision history

Table 11. Revision history

Document ID	Release date	Data sheet status	Change notice	Supersedes
74LVC_LVCH16374A v.13	20210927	Product data sheet	-	74LVC_LVCH16374A v.12
Modifications:	<ul style="list-style-type: none"> <li>• <a href="#">Section 1</a> and <a href="#">Section 2</a> updated.</li> <li>• Type number 74LVC16374ADL (SOT370-1/SSOP48) removed.</li> <li>• <a href="#">Section 7</a>: Derating values for <math>P_{tot}</math> total power dissipation updated.</li> </ul>			
74LVC_LVCH16374A v.12	20181120	Product data sheet	-	74LVC_LVCH16374A v.11
Modifications:	<ul style="list-style-type: none"> <li>• The format of this data sheet has been redesigned to comply with the identity guidelines of Nexperia.</li> <li>• Legal texts have been adapted to the new company name where appropriate.</li> <li>• Type numbers 74LVCH16374ADL (SOT370-1/SSOP48), 74LVC16374ABX and 74LVCH16374ABX (SOT1134-1/HXQFN60U) removed.</li> </ul>			
74LVC_LVCH16374A v.11	20130116	Product data sheet	-	74LVC_LVCH16374A v.10
Modifications:	<ul style="list-style-type: none"> <li>• Minor non-technical text changes and corrections</li> <li>• Document revision history correction</li> </ul>			
74LVC_LVCH16374A v.10	20120301	Product data sheet	-	74LVC_LVCH16374A v.9
74LVC_LVCH16374A v.9	20111219	Product data sheet	-	74LVC_LVCH16374A v.8
74LVC_LVCH16374A v.8	20110621	Product data sheet	-	74LVC_LVCH16374A v.7
74LVC_LVCH16374A v.7	20100323	Product data sheet	-	74LVC_LVCH16374A v.6
74LVC_LVCH16374A v.6	20090212	Product data sheet	-	74LVC_LVCH16374A v.5
74LVC_LVCH16374A v.5	20031212	Product specification	-	74LVC_H16374A v.4
74LVC_H16374A v.4	19980317	Product specification	-	74LVC16374A_74LVCH16374A v.3
74LVC16374A_74LVCH16374A v.3	19980317	Product specification	-	74LVC16374A v.2
74LVC16374A v.2	19970822	Product specification	-	74LVC16374A v.1
74LVC16374A v.1	-	-	-	-

## 14. Legal information

### Data sheet status

Document status [1][2]	Product status [3]	Definition
Objective [short] data sheet	Development	This document contains data from the objective specification for product development.
Preliminary [short] data sheet	Qualification	This document contains data from the preliminary specification.
Product [short] data sheet	Production	This document contains the product specification.

- [1] Please consult the most recently issued document before initiating or completing a design.
- [2] The term 'short data sheet' is explained in section "Definitions".
- [3] The product status of device(s) described in this document may have changed since this document was published and may differ in case of multiple devices. The latest product status information is available on the internet at <https://www.nexperia.com>.

### Definitions

**Draft** — The document is a draft version only. The content is still under internal review and subject to formal approval, which may result in modifications or additions. Nexperia does not give any representations or warranties as to the accuracy or completeness of information included herein and shall have no liability for the consequences of use of such information.

**Short data sheet** — A short data sheet is an extract from a full data sheet with the same product type number(s) and title. A short data sheet is intended for quick reference only and should not be relied upon to contain detailed and full information. For detailed and full information see the relevant full data sheet, which is available on request via the local Nexperia sales office. In case of any inconsistency or conflict with the short data sheet, the full data sheet shall prevail.

**Product specification** — The information and data provided in a Product data sheet shall define the specification of the product as agreed between Nexperia and its customer, unless Nexperia and customer have explicitly agreed otherwise in writing. In no event however, shall an agreement be valid in which the Nexperia product is deemed to offer functions and qualities beyond those described in the Product data sheet.

### Disclaimers

**Limited warranty and liability** — Information in this document is believed to be accurate and reliable. However, Nexperia does not give any representations or warranties, expressed or implied, as to the accuracy or completeness of such information and shall have no liability for the consequences of use of such information. Nexperia takes no responsibility for the content in this document if provided by an information source outside of Nexperia.

In no event shall Nexperia be liable for any indirect, incidental, punitive, special or consequential damages (including - without limitation - lost profits, lost savings, business interruption, costs related to the removal or replacement of any products or rework charges) whether or not such damages are based on tort (including negligence), warranty, breach of contract or any other legal theory.

Notwithstanding any damages that customer might incur for any reason whatsoever, Nexperia's aggregate and cumulative liability towards customer for the products described herein shall be limited in accordance with the Terms and conditions of commercial sale of Nexperia.

**Right to make changes** — Nexperia reserves the right to make changes to information published in this document, including without limitation specifications and product descriptions, at any time and without notice. This document supersedes and replaces all information supplied prior to the publication hereof.

**Suitability for use** — Nexperia products are not designed, authorized or warranted to be suitable for use in life support, life-critical or safety-critical systems or equipment, nor in applications where failure or malfunction of an Nexperia product can reasonably be expected to result in personal

injury, death or severe property or environmental damage. Nexperia and its suppliers accept no liability for inclusion and/or use of Nexperia products in such equipment or applications and therefore such inclusion and/or use is at the customer's own risk.

**Quick reference data** — The Quick reference data is an extract of the product data given in the Limiting values and Characteristics sections of this document, and as such is not complete, exhaustive or legally binding.

**Applications** — Applications that are described herein for any of these products are for illustrative purposes only. Nexperia makes no representation or warranty that such applications will be suitable for the specified use without further testing or modification.

Customers are responsible for the design and operation of their applications and products using Nexperia products, and Nexperia accepts no liability for any assistance with applications or customer product design. It is customer's sole responsibility to determine whether the Nexperia product is suitable and fit for the customer's applications and products planned, as well as for the planned application and use of customer's third party customer(s). Customers should provide appropriate design and operating safeguards to minimize the risks associated with their applications and products.

Nexperia does not accept any liability related to any default, damage, costs or problem which is based on any weakness or default in the customer's applications or products, or the application or use by customer's third party customer(s). Customer is responsible for doing all necessary testing for the customer's applications and products using Nexperia products in order to avoid a default of the applications and the products or of the application or use by customer's third party customer(s). Nexperia does not accept any liability in this respect.

**Limiting values** — Stress above one or more limiting values (as defined in the Absolute Maximum Ratings System of IEC 60134) will cause permanent damage to the device. Limiting values are stress ratings only and (proper) operation of the device at these or any other conditions above those given in the Recommended operating conditions section (if present) or the Characteristics sections of this document is not warranted. Constant or repeated exposure to limiting values will permanently and irreversibly affect the quality and reliability of the device.

**Terms and conditions of commercial sale** — Nexperia products are sold subject to the general terms and conditions of commercial sale, as published at <http://www.nexperia.com/profile/terms>, unless otherwise agreed in a valid written individual agreement. In case an individual agreement is concluded only the terms and conditions of the respective agreement shall apply. Nexperia hereby expressly objects to applying the customer's general terms and conditions with regard to the purchase of Nexperia products by customer.

**No offer to sell or license** — Nothing in this document may be interpreted or construed as an offer to sell products that is open for acceptance or the grant, conveyance or implication of any license under any copyrights, patents or other industrial or intellectual property rights.

**Export control** — This document as well as the item(s) described herein may be subject to export control regulations. Export might require a prior authorization from competent authorities.

**Non-automotive qualified products** — Unless this data sheet expressly states that this specific Nexperia product is automotive qualified, the product is not suitable for automotive use. It is neither qualified nor tested in accordance with automotive testing or application requirements. Nexperia accepts no liability for inclusion and/or use of non-automotive qualified products in automotive equipment or applications.

In the event that customer uses the product for design-in and use in automotive applications to automotive specifications and standards, customer (a) shall use the product without Nexperia's warranty of the product for such automotive applications, use and specifications, and (b) whenever customer uses the product for automotive applications beyond Nexperia's specifications such use shall be solely at customer's own risk, and (c) customer fully indemnifies Nexperia for any liability, damages or failed product claims resulting from customer design and use of the product for automotive applications beyond Nexperia's standard warranty and Nexperia's product specifications.

**Translations** — A non-English (translated) version of a document is for reference only. The English version shall prevail in case of any discrepancy between the translated and English versions.

### Trademarks

Notice: All referenced brands, product names, service names and trademarks are the property of their respective owners.

## Contents

<b>1. General description</b> .....	<b>1</b>
<b>2. Features and benefits</b> .....	<b>1</b>
<b>3. Ordering information</b> .....	<b>1</b>
<b>4. Functional diagram</b> .....	<b>2</b>
<b>5. Pinning information</b> .....	<b>3</b>
5.1. Pinning.....	3
5.2. Pin description.....	3
<b>6. Functional description</b> .....	<b>4</b>
<b>7. Limiting values</b> .....	<b>4</b>
<b>8. Recommended operating conditions</b> .....	<b>4</b>
<b>9. Static characteristics</b> .....	<b>5</b>
<b>10. Dynamic characteristics</b> .....	<b>6</b>
10.1. Waveforms and test circuit.....	7
<b>11. Package outline</b> .....	<b>10</b>
<b>12. Abbreviations</b> .....	<b>11</b>
<b>13. Revision history</b> .....	<b>11</b>
<b>14. Legal information</b> .....	<b>12</b>

© Nexperia B.V. 2021. All rights reserved

For more information, please visit: <http://www.nexperia.com>

For sales office addresses, please send an email to: [salesaddresses@nexperia.com](mailto:salesaddresses@nexperia.com)

Date of release: 27 September 2021