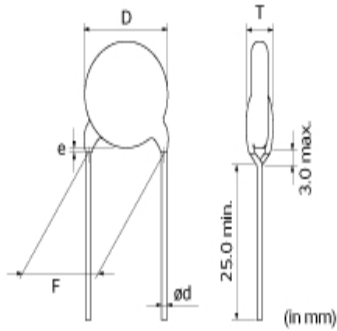
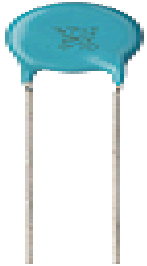


DEA1X3F680JA3B



Appearance & Shape



References

| Packaging | Specifications | Standard Packing Quantity |
|-----------|----------------|---------------------------|
| B | Bulk(Bag) | 250 |

| Mass (typ.) | |
|-------------|-------|
| 1 piece | 0.35g |

Attention

- 1.This datasheet is downloaded from the website of Murata Manufacturing Co., Ltd. Therefore, it's specifications are subject to change or our products in it may be discontinued without advance notice. Please check with our sales representatives or product engineers before ordering.
- 2.This datasheet has only typical specifications because there is no space for detailed specifications. Therefore, please review our product specifications or consult the approval sheet for product specifications before ordering.

DEA1X3F680JA3B

Specifications

| | |
|--------------------------------------------------|------------------------|
| L size or Outer diameter D | 8.0mm max. |
| T size | 6.0mm max. |
| Lead spacing F | 7.5±1.0mm |
| Lead diameter d | 0.6±0.05mm |
| Paint dripping e | Up to the end of crimp |
| Capacitance | 68pF ±5% |
| Rated voltage | 3150Vdc |
| Temperature characteristics | SL(JIS) |
| Temperature range of temperature characteristics | 20°C to 85°C |
| Operating Temperature Range | -25°C to 125°C |
| TC | +350 to -1000ppm/°C |

Attention

1.This datasheet is downloaded from the website of Murata Manufacturing Co., Ltd. Therefore, it's specifications are subject to change or our products in it may be discontinued without advance notice. Please check with our sales representatives or product engineers before ordering.

2.This datasheet has only typical specifications because there is no space for detailed specifications.

Therefore, please review our product specifications or consult the approval sheet for product specifications before ordering.