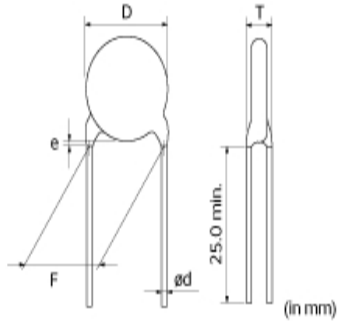
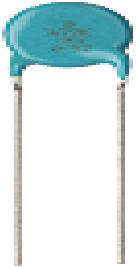


DEBB33D221KC1B



Appearance & Shape



References

| Packaging | Specifications | Standard Packing Quantity |
|-----------|----------------|---------------------------|
| B | Bulk(Bag) | 500 |

| Mass (typ.) | |
|-------------|-------|
| 1 piece | 0.24g |

Attention

- 1.This datasheet is downloaded from the website of Murata Manufacturing Co., Ltd. Therefore, it's specifications are subject to change or our products in it may be discontinued without advance notice. Please check with our sales representatives or product engineers before ordering.
- 2.This datasheet has only typical specifications because there is no space for detailed specifications. Therefore, please review our product specifications or consult the approval sheet for product specifications before ordering.

DEBB33D221KC1B



Specifications

| | |
|--|---------------|
| L size or Outer diameter D | 4.5mm max. |
| T size | 5.0mm max. |
| Lead spacing F | 5.0±1.0mm |
| Lead diameter d | 0.5±0.05mm |
| Paint dripping e | 3.0mm max. |
| Capacitance | 220pF ±10% |
| Rated voltage | 2000Vdc |
| Temperature characteristics | B(JIS) |
| Capacitance change rate | ±10% |
| Temperature range of temperature characteristics | -25°C to 85°C |
| Operating Temperature Range | -25°C to 85°C |

Attention

1.This datasheet is downloaded from the website of Murata Manufacturing Co., Ltd. Therefore, it's specifications are subject to change or our products in it may be discontinued without advance notice. Please check with our sales representatives or product engineers before ordering.

2.This datasheet has only typical specifications because there is no space for detailed specifications.

Therefore, please review our product specifications or consult the approval sheet for product specifications before ordering.