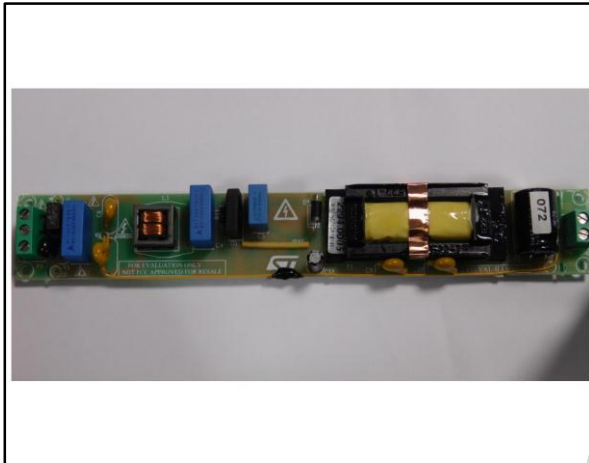


40 W European input-range ultra-slim flyback converter using the HVLED001 quasi resonant flyback controller

Data brief



Description

The STEVAL-ILL076V1 product evaluation board implements an offline power converter based on a single-stage high-PF flyback topology using the HVLED001 controller.

A very slim form factor is achieved using innovative magnetic parts. Output voltage is controlled by the primary side, reducing the need for costly opto-couplers. The precision of the HVLED001's PSR feature together with the innovative structure of the transformer make output voltage regulation very accurate against load and line changes.

Very high efficiency is obtained and a full set of protection features are implemented, including protection against output short-circuit and input overvoltage.

Conducted EMI is pre-screened and clearance and creepage distances are within EN60950 safety standards.

Power factor and THD measurements are optimized to be higher than 0.95 and lower than 10%, respectively, at full load.

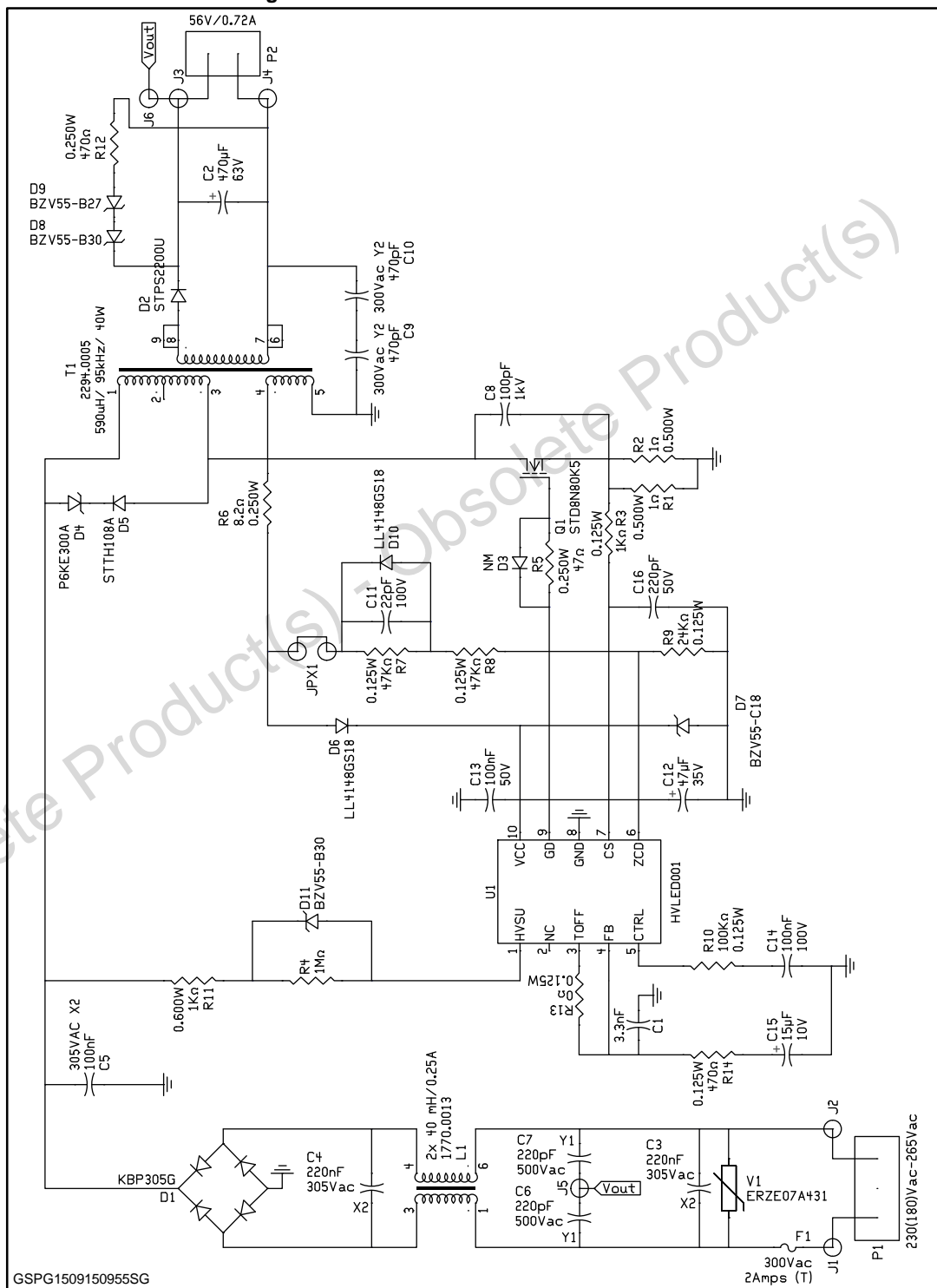
The main application for this converter is bus power supply for an LED string driver providing 4 kV of isolation.

Features

- Input voltage: V_{IN} : 180 - 264 V_{RMS} , f: 45 - 66 Hz
- Output voltage: 56 V / 720 mA
- High power factor, low THD
- No-load: better than 400 mW @ 230 V_{IN}
- Full load efficiency: better than 92%
- Short-circuit protection with auto restart
- EMI: pre-compliant with EN55022 (B) limits
- Dimensions: 183 mm x 28 mm, h 17 mm
- PCB: single-side 35 μ m, FR4, mixed PTH/SMD
- RoHS compliant

1 Schematic diagram

Figure 1: STEVAL-ILL076V1 circuit schematic



2 Revision history

Table 1: Document revision history

Date	Version	Changes
18-Sep-2015	1	Initial release.

Obsolete Product(s) - Obsolete Product(s)

IMPORTANT NOTICE – PLEASE READ CAREFULLY

STMicroelectronics NV and its subsidiaries ("ST") reserve the right to make changes, corrections, enhancements, modifications, and improvements to ST products and/or to this document at any time without notice. Purchasers should obtain the latest relevant information on ST products before placing orders. ST products are sold pursuant to ST's terms and conditions of sale in place at the time of order acknowledgement.

Purchasers are solely responsible for the choice, selection, and use of ST products and ST assumes no liability for application assistance or the design of Purchasers' products.

No license, express or implied, to any intellectual property right is granted by ST herein.

Resale of ST products with provisions different from the information set forth herein shall void any warranty granted by ST for such product.

ST and the ST logo are trademarks of ST. All other product or service names are the property of their respective owners.

Information in this document supersedes and replaces information previously supplied in any prior versions of this document.

© 2015 STMicroelectronics – All rights reserved