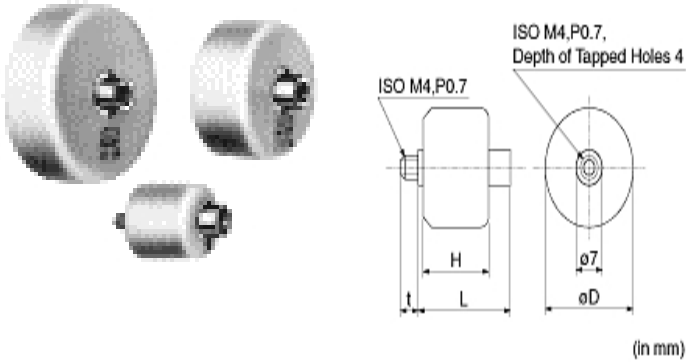


DHK3VA4101KB8B



Appearance & Shape



References


Packaging	Specifications	Standard Packing Quantity
B	Box	1

Mass (typ.)	
1 piece	14.0g

Attention

- 1.This datasheet is downloaded from the website of Murata Manufacturing Co., Ltd. Therefore, it's specifications are subject to change or our products in it may be discontinued without advance notice. Please check with our sales representatives or product engineers before ordering.
- 2.This datasheet has only typical specifications because there is no space for detailed specifications. Therefore, please review our product specifications or consult the approval sheet for product specifications before ordering.

DHK3VA4101KB8B



Specifications

Length	21.0±2.0mm
Thickness	4.5±1.0mm
Capacitance	100pF ±10%
Outer diameter D	16.0±2.0mm
Height H	16mm
Operating Temperature Range	-30°C to 85°C
Rated Voltage	10kVac(r.m.s.)
TC	-1500±500ppm/°C
Temperature characteristics (complied standard)	WL(JIS)
Temperature range of temperature characteristics	-25°C to 85°C
Terminal shape (screw type)	ISO M4, P0.7 (Metric Screw Thread)

Attention

1.This datasheet is downloaded from the website of Murata Manufacturing Co., Ltd. Therefore, it's specifications are subject to change or our products in it may be discontinued without advance notice. Please check with our sales representatives or product engineers before ordering.

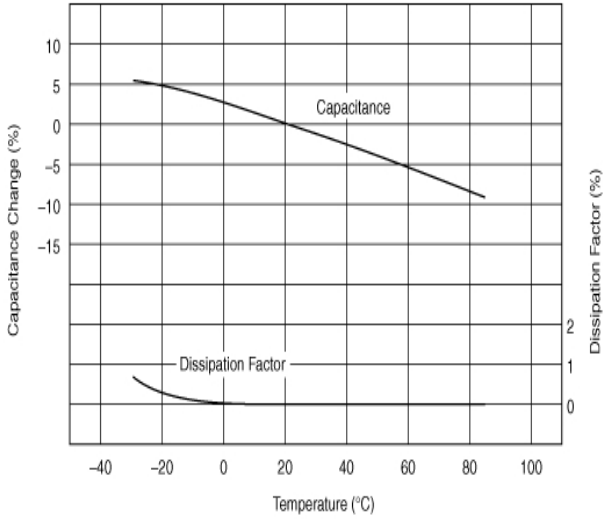
2.This datasheet has only typical specifications because there is no space for detailed specifications.

Therefore, please review our product specifications or consult the approval sheet for product specifications before ordering.

DHK3VA4101KB8B



Characteristic Data



Capacitance - temperature characteristics

Attention

- 1.This datasheet is downloaded from the website of Murata Manufacturing Co., Ltd. Therefore, it's specifications are subject to change or our products in it may be discontinued without advance notice. Please check with our sales representatives or product engineers before ordering.
- 2.This datasheet has only typical specifications because there is no space for detailed specifications.
Therefore, please review our product specifications or consult the approval sheet for product specifications before ordering.