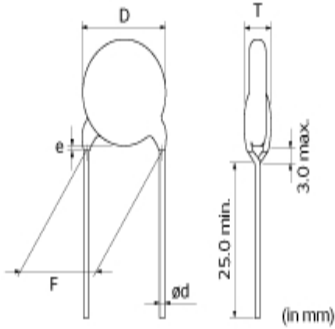


DEHC32H471KA2B



Appearance & Shape



References

Packaging	Specifications	Standard Packing Quantity
B	Bulk(Bag)	500

Mass (typ.)	
1 piece	0.27g

Notices

Please use alternative

Attention

- 1.This datasheet is downloaded from the website of Murata Manufacturing Co., Ltd. Therefore, it's specifications are subject to change or our products in it may be discontinued without advance notice. Please check with our sales representatives or product engineers before ordering.
- 2.This datasheet has only typical specifications because there is no space for detailed specifications. Therefore, please review our product specifications or consult the approval sheet for product specifications before ordering.

DEHC32H471KA2B



Specifications

L size or Outer diameter D	6.0mm max.
T size	4.0mm max.
Lead spacing F	5.0±1.0mm
Lead diameter d	0.6±0.05mm
Paint dripping e	Up to the end of crimp
Capacitance	470pF ±10%
Rated voltage	500Vdc
Temperature characteristics	C(JIS)
Temperature range of temperature characteristics	-25°C to 125°C
Operating Temperature Range	-25°C to 125°C
Temperature Characteristics (-25 to 85°C)	±20%(-25 to 85°C)
Temperature Characteristics (85 to 125°C)	+15/-30%(85 to 125°C)

Attention

1.This datasheet is downloaded from the website of Murata Manufacturing Co., Ltd. Therefore, it's specifications are subject to change or our products in it may be discontinued without advance notice. Please check with our sales representatives or product engineers before ordering.

2.This datasheet has only typical specifications because there is no space for detailed specifications.

Therefore, please review our product specifications or consult the approval sheet for product specifications before ordering.