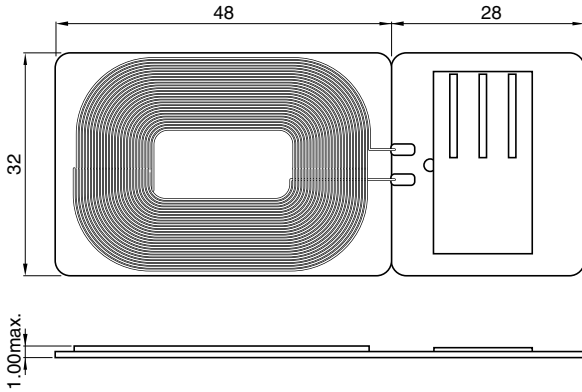


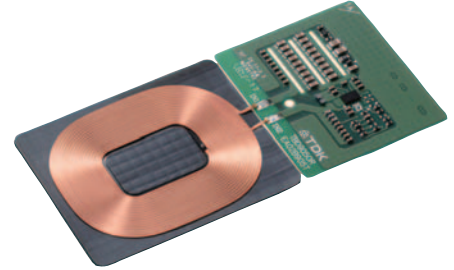
Rx Modules

WRM483245-15F5-5V-G

SHAPE & DIMENSIONS



Dimensions in mm



ELECTRICAL CHARACTERISTICS

CHARACTERISTICS SPECIFICATION TABLE

Rx coil unit

Inductance (μH) [100kHz, 1Vrms]	DC resistance (Ω)max. [25°C]
13	0.27

Rx module

Output voltage (V)	Output current (A)	Efficiency* (%)ref.	IC Information
4.95 to 5.05 (BQ51013B)	0.5 to 0.7	72	BQ51013B (TI wireless charging IC)

* Contact us for more information.

• All specifications are subject to change without notice.