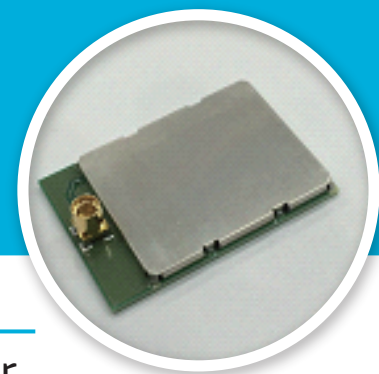


ISA100 Wireless module

muRata

Under development

Sample Part Number: LBBA0ZZ1EU-temp



Complete wireless module include Radio Transceiver,
Micro Processor and Networking software
conforming to ISA-100.11a-2009.

Summary

The LBBA0ZZ1EU is a 2.4GHz wireless module featuring a highly-integrated and low power radio design. This module has "ISA stack" software to support ISA100.11a. The ISA stack includes MAC, Data Link, Network, Transport, Application sub-layer and DMAP. The LBBA0ZZ1EU improves the efficiency of your ISA100 Wireless product development.

Specifications

Protocol	ISA100.11a-2009
Operating frequency	2400MHz~2483.5MHz
Number of channels	16
Channel separation	5MHz
Occupied channel BW	2.65MHz (typ)
Frequency accuracy	+/-40ppm
Modulation	O-QPSK
Raw data rate	250kbps

Absolute Maximum Rating

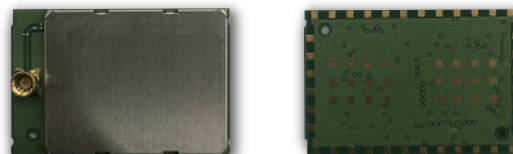
Item	Min	Max	Unit
Storage Temperature	-40	85	degC
VCC	-0.1	5.5	V
Voltage on any Digital IO	-0.3	3.1	V
Input RF Level		-4	dBm

Operating condition

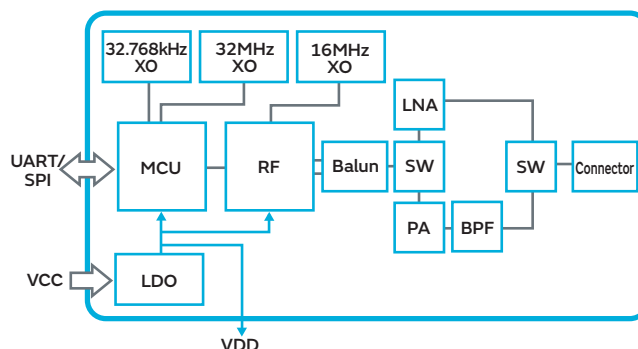
Item	Min	Max	Unit
Operating Temperature	-40	85	degC
VCC	3.0	5.5	V
Voltage on any Digital IO		2.9	V

Key Features

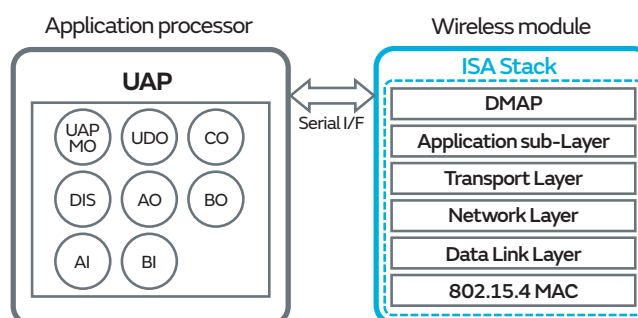
- Low current consumption
10uA @ Sleep mode
18.5mA @ Receive mode
40mA @ Transmit mode (10dBm)
- Good RF performance
-98.5dBm at 10% PER
- Small seize
31.0 mm x 21.0 mm, 60-pin PCB
Assembly with MMCX Antenna Connector



HW Block



SW Block



Murata Manufacturing Co., Ltd.

Murata Manufacturing Co., Ltd. <http://www.murata.com/>

Issued on March 1, 2015 The described contents may be changed without any notice