

# Negative Battery Voltage SLIC Protection

## GR-1089-CORE Intra-building Solution

### Solution Products



TBU-PL060-200-WH



MOV-10D201K

### Design Kit



PN-DESIGNKIT-20

### Objective

The SLIC (Subscriber Line Interface Circuit) provides all the BORSCHT functions such as battery, ringing, supervision between the codec and telephone hand set. This PortNote® solution protects negative battery voltage solutions against surge and power contact threats.

### Solution

- 1 TBU® High-Speed Protector:  
TBU-PL060-200-WH
- 2 MOV Devices: MOV-10D201K

### Compliance

- GR-1089-CORE intra-building, issue 5, port type 4.
- 120 V<sub>rms</sub>, 25 A, 900 seconds withstand.
- 130 V<sub>rms</sub> maximum AC withstand.
- Increased surge level to 5 kV, 500 A 2/10 μs.

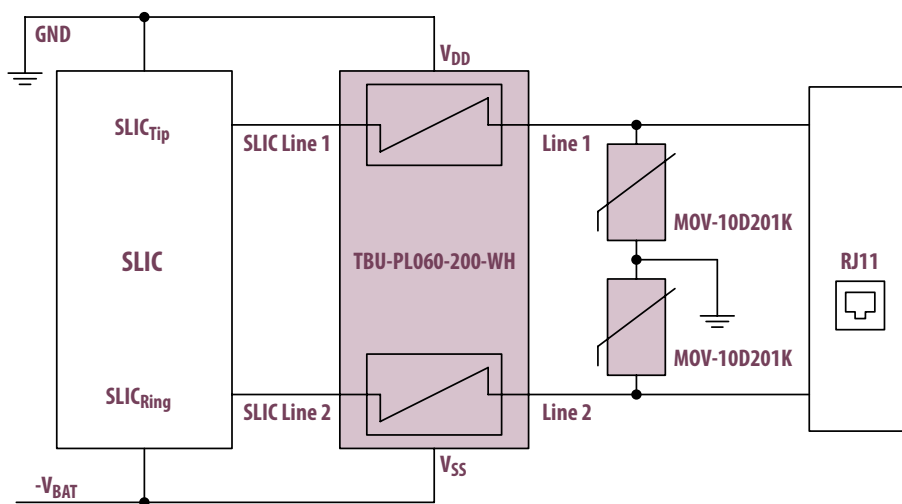
### Alternate Recommendations

Other PortNote® Solutions:

- SLIC Protection - GR-1089-CORE Intra-building Solution
- Negative Battery Voltage SLIC Protection - ITU-T Solution
- Dual Supply Voltage SLIC Protection - ITU-T Solution

### Benefit

This solution provides a high level of protection in a small PCB area.



The schematic above illustrates the application protection and does not constitute the complete circuit design. Customers should verify actual device performance in their specific applications.