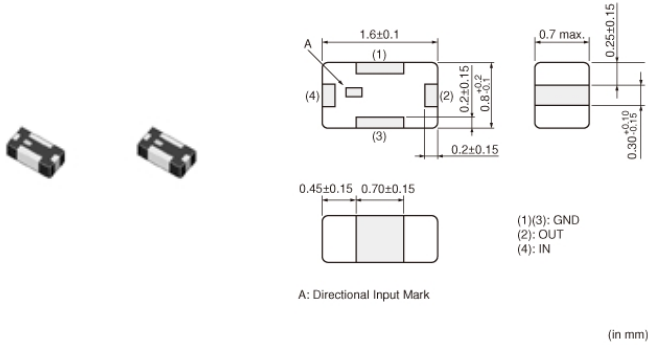


# LFB182G45CE6D043



## Appearance & Shape



## Features

Ultra-small, low-profiled, lightweight chip filters based on ceramic multilayer technology.  
Extremely ultra-small band-pass filters.

1. Ultra-small, low-profiled, lightweight band-pass filters.
2. Absolutely no adjustment required.
3. Reflow solderable.
4. Available in tape and reel packagings for automatic mounting.


## Packaging Information

Packaging	Specifications	Standard Packing Quantity
-	180mm Paper Tape	4000

**Attention**

1. This datasheet is downloaded from the website of Murata Manufacturing Co., Ltd. Therefore, its specifications are subject to change or our products in it may be discontinued without advance notice. Please check with our sales representatives or product engineers before ordering.
2. This datasheet has only typical specifications because there is no space for detailed specifications. Therefore, please review our product specifications or consult the approval sheet for product specifications before ordering.

# LFB182G45CE6D043



## Specifications

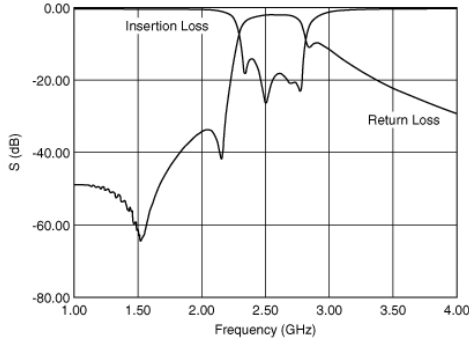
Applications	WLAN / for Bluetooth® products
Nominal Center Frequency (fo)	2450.00MHz
Bandwidth(BW)	fo±50.00MHz
Insertion Loss in BW I)	3.20dB max. (at 25°C)
Insertion Loss in BW II)	3.50dB max. (-40 to +85°C)
Attenuation(Absolute Value) I)	35.0dB min. at 824.00 to 960.00MHz
Attenuation(Absolute Value) II)	35.0dB min. at 1565.00 to 1585.00MHz
Attenuation(Absolute Value) III)	23.0dB min. at 1710.00 to 1910.00MHz
Attenuation(Absolute Value) IV)	20.0dB min. at 1910.00 to 1990.00MHz
Attenuation(Absolute Value) V)	18.0dB min. at 2110.00 to 2170.00MHz
Attenuation(Absolute Value) VI)	30.0dB min. at 4800.00 to 5000.00MHz
Attenuation(Absolute Value) VII)	20.0dB min. at 7200.00 to 7500.00MHz
Ripple(max.)	1.6dB
VSWR(max.)	2.1
Characteristic Impedance (Nom.)	50Ω
Power Capacity	500mW
Operating Temperature Range	-40°C to 85°C
L x W (size)	1.60x0.80mm
Thickness(max.)	0.65mm

### Attention

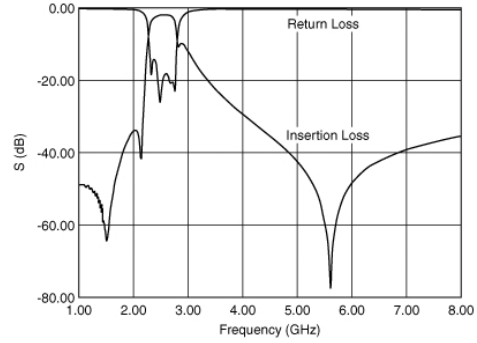
- 1.This datasheet is downloaded from the website of Murata Manufacturing Co., Ltd. Therefore, it's specifications are subject to change or our products in it may be discontinued without advance notice. Please check with our sales representatives or product engineers before ordering.
- 2.This datasheet has only typical specifications because there is no space for detailed specifications. Therefore, please review our product specifications or consult the approval sheet for product specifications before ordering.

# LFB182G45CE6D043

## Product Data



Frequency Characteristics



Spurious Response

### Attention

- 1.This datasheet is downloaded from the website of Murata Manufacturing Co., Ltd. Therefore, it's specifications are subject to change or our products in it may be discontinued without advance notice. Please check with our sales representatives or product engineers before ordering.
- 2.This datasheet has only typical specifications because there is no space for detailed specifications.  
Therefore, please review our product specifications or consult the approval sheet for product specifications before ordering.