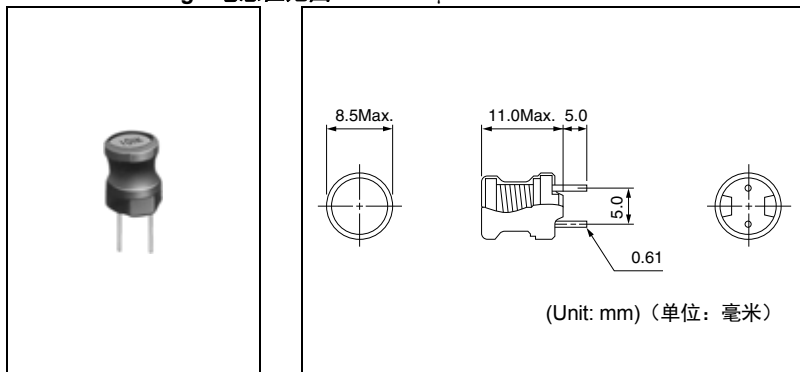


# 8RHB2

Inductance Range/电感值范围 1.0~1000 $\mu$ H



### FEATURES 特点

- Ideal as a choke coil for noise filtering and DC-DC converter application.
  - RoHS compliant.
- Note: Taped form is type 8RHT2 spec.  
Available with or without heat shrunk plastic housing.
- 是为噪音过滤以及DC/DC转换器使用的扼流线圈的理想选择。
  - 符合RoHS指令。
- (注) 编带包装型号: TYPE 8RHT2。  
有或者没有热压缩塑料套。

### STANDARD PART NUMBERS 标准零件号码

#### TYPE 8RHB2 / 8RHB2型

零件号码	电感值 <sup>(1)</sup>	公差	最大直流电阻 <sup>(4)</sup>	最大额定直流电流 <sup>(2)</sup>	最小自谐振频率 <sup>(3)(5)</sup>
Part Number	Inductance <sup>(1)</sup> ( $\mu$ H)	Tolerance (%)	DC Resistance <sup>(4)</sup> ( $\Omega$ ) Max.	Rated DC Current <sup>(2)</sup> (A) Max.	Self-resonant Frequency <sup>(3)(5)</sup> (MHz) Min.
#822LY-1R0M	1.0	$\pm 20$	0.013	3.71	150
#822LY-1R5M	1.5	$\pm 20$	0.016	3.32	130
#822LY-2R2M	2.2	$\pm 20$	0.021	3.15	100
#822LY-3R3M	3.3	$\pm 20$	0.025	2.66	79
#822LY-4R7M	4.7	$\pm 20$	0.030	2.27	51
#822LY-6R8M	6.8	$\pm 20$	0.035	2.10	29
#822LY-100K	10.0	$\pm 10$	0.045	1.96	14
#822LY-120K	12.0	$\pm 10$	0.050	1.82	13
#822LY-150K	15.0	$\pm 10$	0.056	1.75	12
#822LY-180K	18.0	$\pm 10$	0.061	1.54	11
#822LY-220K	22.0	$\pm 10$	0.070	1.29	9.2
#822LY-270K	27.0	$\pm 10$	0.080	1.22	8.5
#822LY-330K	33.0	$\pm 10$	0.090	1.17	7.8
#822LY-390K	39.0	$\pm 10$	0.10	1.14	6.9
#822LY-470K	47.0	$\pm 10$	0.17	0.79	6.5
#822LY-560K	56.0	$\pm 10$	0.20	0.76	5.4
#822LY-680K	68.0	$\pm 10$	0.22	0.70	4.9
#822LY-820K	82.0	$\pm 10$	0.25	0.67	4.1
#822LY-101K	100.0	$\pm 10$	0.28	0.58	3.7
#822LY-121K	120.0	$\pm 10$	0.32	0.56	3.4
#822LY-151K	150.0	$\pm 10$	0.54	0.42	3.2
#822LY-181K	180.0	$\pm 10$	0.60	0.40	2.8
#822LY-221K	220.0	$\pm 10$	0.68	0.38	2.7
#822LY-271K	270.0	$\pm 10$	0.80	0.35	2.4
#822LY-331K	330.0	$\pm 10$	0.90	0.33	2.3
#822LY-391K	390.0	$\pm 10$	1.20	0.28	2.1
#822LY-471K	470.0	$\pm 10$	1.37	0.25	1.9
#822LY-561K	560.0	$\pm 10$	1.53	0.23	1.8
#822LY-681K	680.0	$\pm 10$	2.00	0.21	1.6
#822LY-821K	820.0	$\pm 10$	2.70	0.18	1.5
#822LY-102K	1000.0	$\pm 10$	2.96	0.16	1.3

- (1) Inductance is measured with a LCR meter 4284A (Agilent Technologies) or equivalent.  
Test frequency at 1.0 kHz
- (2) Rated DC current is that which causes a 10% inductance reduction from the initial value, or coil temperature to rise by 20°C, whichever is smaller. (Reference ambient temperature 20°C)
- (3) Self-resonant frequency is measured with a network analyzer model MS560J (Anritsu), or equivalent.
- (4) DC resistance is measured with a digital multimeter TR6871 (Advantest) or equivalent.
- (5) Self-resonant frequency is for reference only.

- (1) 使用LCR仪表4284A (Agilent技术) 或者功能相同的仪器测试电感值。  
测试频率为1.0kHz。
- (2) 额定直流电流是引起电感值从最初值减小10%，或者线圈温度升高20°C，两者中较小的一个。  
(参考环境温度为20°C)
- (3) 使用网络分析仪MS560J (Anritsu) 或者功能相同的仪器测试自谐振频率。
- (4) 使用数码万用表TR6871 (Advantest) 或者功能相同的工具测试直流电阻。
- (5) 自谐振频率仅供参考。