

Aspherical Glass Lenses

Type: **EYLG**□□□□□□□□



These products are aspherical glass lenses by using a press molding, and key devices of optical electronics not only provide compact and light weight but also high-performance by utilizing characteristics of aspherical design.

Features

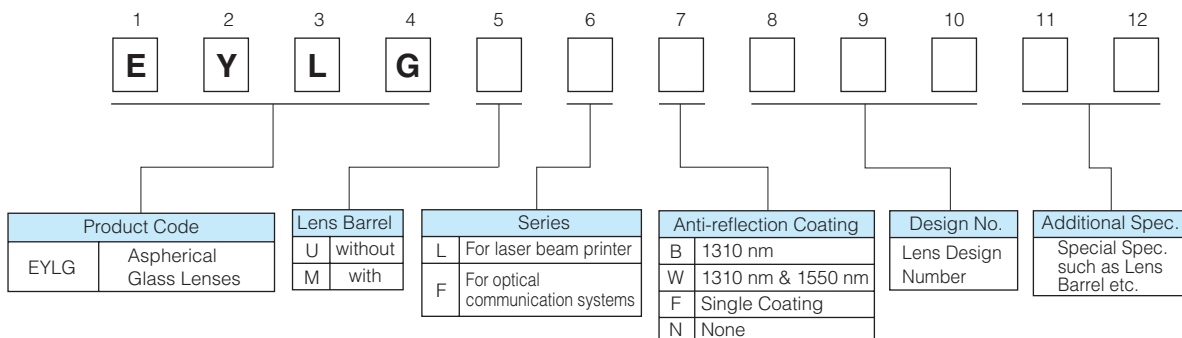
- High numerical aperture achieved via aspherical design
- Short focal length for compact size
- Appropriate lenses and lens material available for many different applications
- Wide temperature and humidity range for increased reliability and stability
- High-quality processing, measurement techniques and precision manufacturing process give less variation in optical properties
- RoHS compliant

* We can offer custom design, sampling and mass production as requested

Recommended Applications

- Collimator lens for laser beam printers
- Coupling lens for optical communication systems
- Collimator lens for optical communication systems

Explanation of Part Numbers



Ratings

Item	Ratings
Operating Temperature Range	-30 to +85 °C
Storage Temperature Range	-40 to +100 °C

■ Please contact the factory for packaging methods.

Design and specifications are each subject to change without notice. Ask factory for the current technical specifications before purchase and/or use. Should a safety concern arise regarding this product, please be sure to contact us immediately.

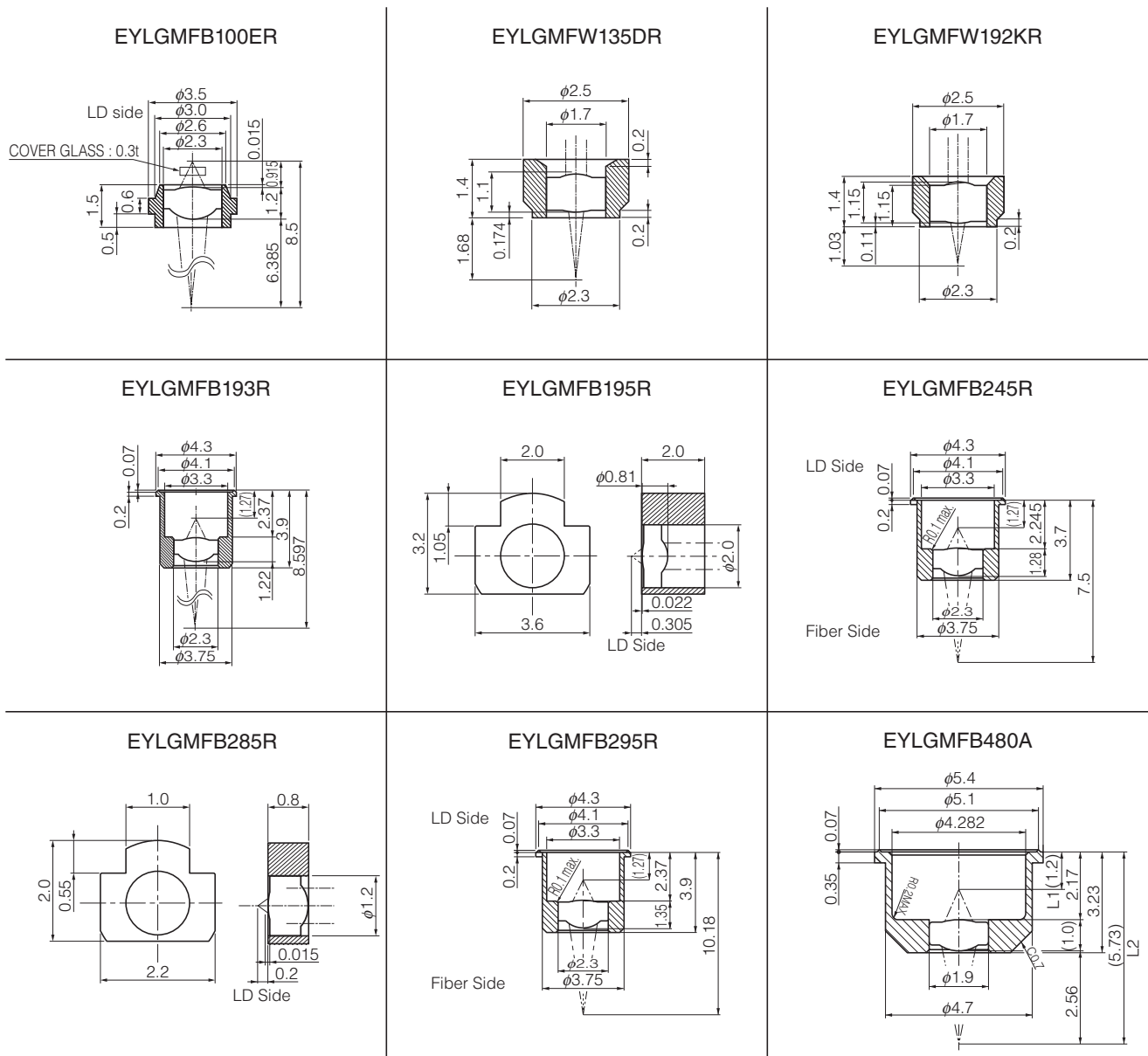
Specifications

- For optical communication systems (with a barrel)

Part No.	Item	Numerical Aperture (LD side)	Numerical Aperture (SMF side)	Focal Length (mm)	Distance Between LD and SMF (mm)	Wave Length (nm)	Thickness (mm)	Lens Diameter (mm)	Lens Barrel Thickness (mm)	Lens Barrel Diameter (mm)	Mass (Weight) (mg)
EYLGMB100ER*		0.47	0.097	1.138	8.50	1550	1.2	2.3	1.5	3.5	340
EYLGFW135DR		—	0.2	2.51	∞	1550	1.1	1.7	1.4	2.5	365
EYLGFW192KR		—	0.3	1.81	∞	1550	1.15	1.7	1.4	2.5	140
EYLGMB193R		0.4	0.125	1.25	8.597	1310	1.22	2.3	3.9	3.75	250
EYLGMB195R		0.6	—	0.7	∞	1310	0.81	2.0	2.0	3.6×3.2	300
EYLGMB245R		0.4	0.16	1.13	7.5	1310	1.28	2.3	3.7	3.75	250
EYLGMB285R		0.6	—	0.596	∞	1310	0.8	1.2	1.2	2.2×2.0	230
EYLGMB295R		0.4	0.1	1.35	10.18	1310	1.35	2.3	3.9	3.75	270
EYLGMB480A		0.4	0.2	0.93	5.73	1310	1.0	1.9	3.27	4.7	265

* build-to-order manufacturing

Dimensions in mm (not to scale)



Design and specifications are each subject to change without notice. Ask factory for the current technical specifications before purchase and/or use. Should a safety concern arise regarding this product, please be sure to contact us immediately.