

# CXA-0231

## Dimming/Connector Type

### ■ Features

- 2-output
- Applicable panel size\*: 10 to 15 inches
- With brightness control function (Pulse Wide Modulation mode).
- In the high-voltage generator (a terminal and a pattern), an anti-dust measure by silicone application is taken.  
(Notice) Applicable panel size becomes a standard.

### ■ Applications



## CXA-0231 Specifications (Please refer to each specification before use)

### Electrical Characteristics

Item	Unit	Symbol	Specification			Condition					Remark
			min	typ	max	V <sub>in</sub> (V)	V <sub>rmt</sub> (V)	V <sub>br</sub> (V)	T <sub>a</sub> (°C)	RL(kΩ)	
Output Current	mA	I <sub>out</sub> (Maximum dimmer)	5.5	6.0	6.5	12±0.6	5	0	23±5	95	(*1)
			5.3	6.0	6.7	12±2.4	5	0	0 to +70	75 to 112	(*1)
		I <sub>out</sub> (Minimum dimmer)	0.6	1.5	2.4	12±0.6	5	1.3	23±5	95	(*1)
			0.4	1.5	2.6	12±2.4	5	1.3	0 to +70	75 to 112	(*1)
Input Current	A	I <sub>in1</sub>	-	0.78	1.4	12±2.4	5	0 to 1.3	0 to +70	75 to 112	Remote ON
	mA	I <sub>in2</sub>	-		1	12±1.2	0 to 0.4	0 to 1.5	0 to +70	75 to 112	Remote OFF
Frequency	kHz	Freq1	53	60	67	12±2.4	5	0	0 to +70	75 to 112	
	kHz	Freq2	55	62	69	12±2.4	5	0	0 to +70	75 to 112	
	Hz	Freq3(Duty frequency)	225	270	335	12±2.4	5	1.3	0 to +70	75 to 112	
Open Circuit Voltage	V <sub>rms</sub>	V <sub>open</sub>	1500	1700	-	12±2.4	5	0	0 to +70	∞	Open load

(\*1) Please refer to the connection diagram for details of a dimming method.

### Other Specifications

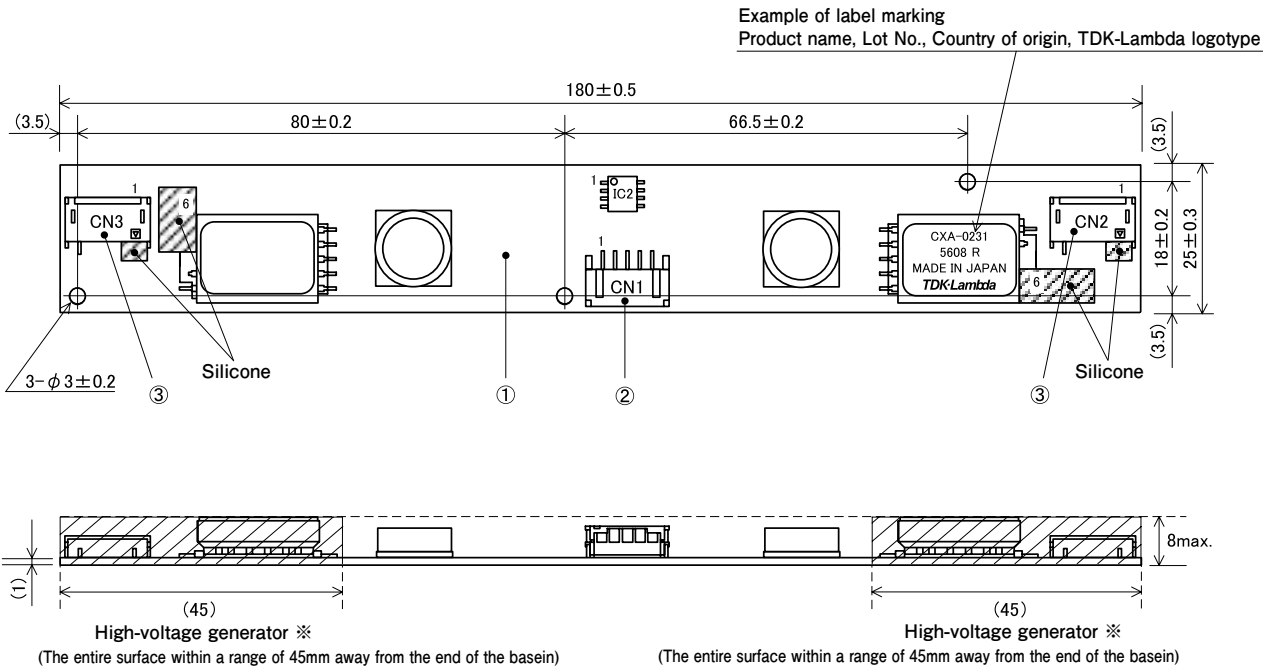
Dimming Function		Yes
Operating Temperature	°C	0 to +70
Storage Temperature	°C	-30 to +85
Operating Humidity Ratio	RH%	95Max
Safety Standard		-
Weight	g	30
Dimensions(WxDxH)	mm	180x25x8 (*2)
Fused Input		Yes
Remote ON / OFF		Yes
Alarm Signal Function		No
Shutdown Function		No
Silicone Coating on High Voltage Area		Yes

(\*2) These dimensions are indicated the maximum only H. Others are typical values.

### ■ Conformity to RoHS Directive

This means that, in conformity with EU Directive 2002/95/EC, lead, cadmium, mercury, hexavalent chromium, and specific bromine-based flame retardants, PBB and PBDE, have not been used, except for exempted applications.

# Outline Drawing



※From high-voltage generator, please secure space distance more than 3mm in top and bottom right and left.

unit:mm

## Connector

Connector number	Part number	Model/Material	Quantity	Remarks	Recommended applicable connector
①	Printed circuit board PCB	Composite (CEM-3)	1	UL94V-0 t=1.0	—
②	Input connector CN1	S5B-PH-SM4-TB(LF)(SN)	1	JST Mfg. Co., Ltd.	PHR-5
③	Output connector CN2,CN3	SM02 (8.0) B-BHS-1-TB (LF)(SN)	2	JST Mfg. Co., Ltd.	BHR-03VS-1

## Terminal Numbers And Functions

### Input side CN1

Terminal number	Symbol	Rated voltage	Remarks
CN1-1	V <sub>in</sub>	12±2.4V	Power input
CN1-2	GND	0V	Ground
CN1-3	V <sub>br</sub>	0 to 1.5V	Dimmer terminal
CN1-4	N.C.	N.C.	
CN1-5	V <sub>rmt</sub>	0V/2.5V to V <sub>in</sub>	Remote terminal 0 to 0.4V : OFF 2.5 to V <sub>in</sub> : ON

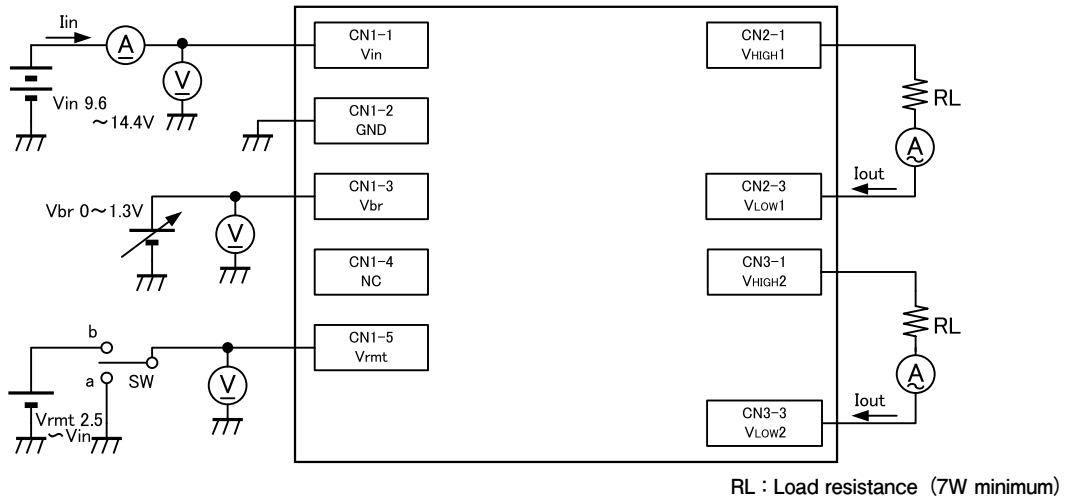
### Output side CN2

Terminal number	Symbol	Rated voltage	Remarks
CN2-1	V <sub>HIGH1</sub>	670Vrms	Output 1
CN2-2	N.C.	—	—
CN2-3	V <sub>LOW1</sub>	(2V)	Output 1 return

### Output side CN3

Terminal number	Symbol	Rated voltage	Remarks
CN3-1	V <sub>HIGH2</sub>	670Vrms	Output 2
CN3-2	N.C.	—	—
CN3-3	V <sub>LOW2</sub>	(2V)	Output 2 return

# Connections



CN1-3 has served as dimmer ability and a remote function, and operates it as follows by changing Vbr.

Vbr	Unit operation
0 to 1.3V	Operation (0V: Maximum brightness, 1.3V: Minimum brightness)
Over1.5V	Operation stopped (Vrmt=5±0.25V)

Operate as follows by switching SW1.

SW		Unit operation
a	0-0.4V	Operation stopped
b	2.5-14.4V	Operation