

Metallized Polypropylene Film Capacitor

Type: **ECWF(S)**

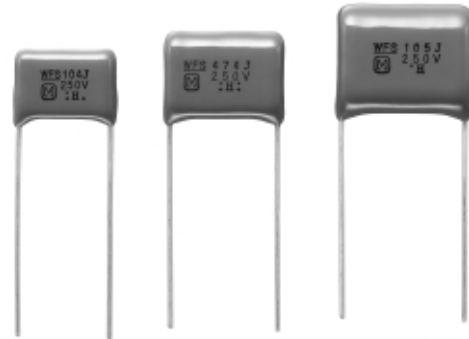
Designed for high current and frequency applications.

■ Features

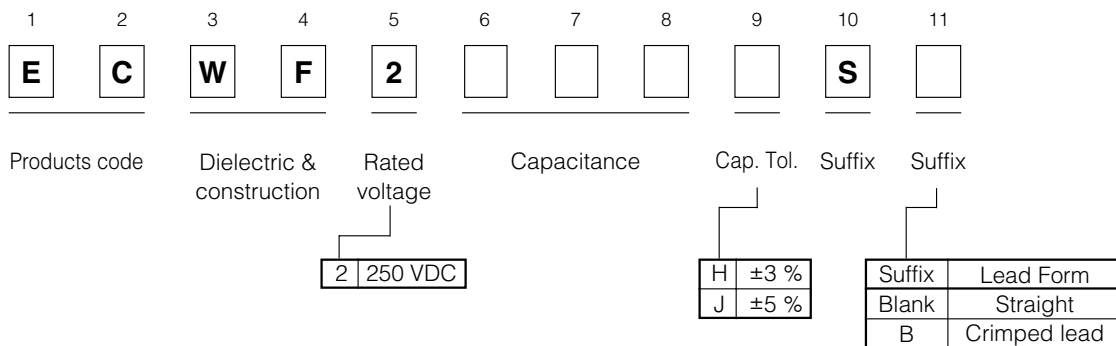
- Low-loss
- Excellent frequency characteristics
- Flame retardant epoxy resin coating
- RoHS directive compliant

■ Recommended Applications

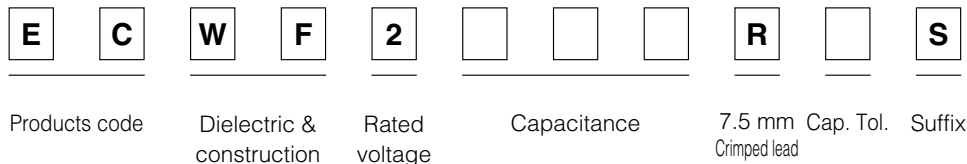
- High frequency and high current circuits (TVs, Monitors, Power Supplies, etc.)



■ Explanation of Part Numbers



● Explanation of Part Numbers for Odd Size Taping

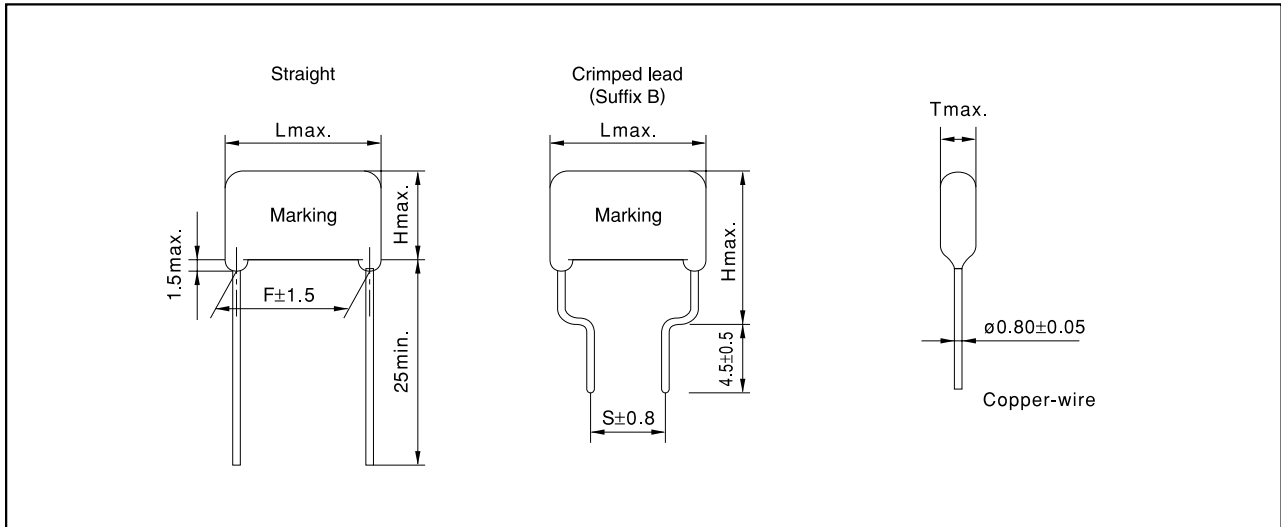


■ Specifications

Category temp. range (Including temperature-rise on unit surface)	-25 °C to +105 °C
Rated voltage	250 VDC (Derating of rated voltage by 1.25 %/°C at more than 85 °C)
Capacitance range	0.068 μF to 3.3 μF
Capacitance tolerance	±3 % (H), ±5 % (J)
Dissipation factor (tan δ)	0.068 μF to 0.51 μF : tan δ ≤ 0.05 % 0.56 μF to 3.3 μF : tan δ ≤ 0.1 % 0.068 μF to 3.3 μF : tan δ ≤ 0.2 % (20 °C, 10 kHz)
Withstand voltage	Between terminals : Rated volt. (VDC) × 150 % 60 s
Insulation resistance (IR)	C ≤ 0.33 μF : IR ≥ 9000 MΩ C > 0.33 μF : IR ≥ 3000 MΩ · μF (20 °C, 100 VDC, 60 s)

* In case of applying voltage in alternating current (50 Hz or 60 Hz sine wave) to a capacitor with DC rated voltage, please refer to the page of "Permissible voltage (R.M.S) in alternating current corresponding to DC rated voltage".

■Dimensions in mm (not to scale)

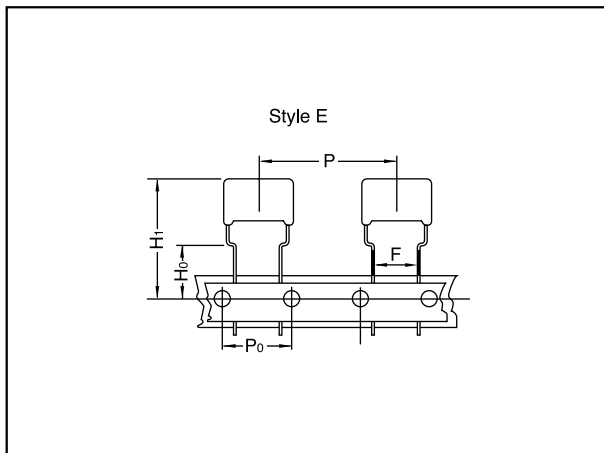


■Packaging Specifications for Bulk Package

Packing quantity: 100 pcs./bag

■Taping Specifications for Automatic Insertion

●Taping style



※Refer to the page of taping specifications.

●Packaging Specification

Type	Rated volt.	Cap. range (μF)	Taping style					Packing	suffix
			AD	AS	B	C	D		
ECWF(S)	250 VDC	0.068 to 1.5						○ Ammo	R() S

●Lead Spacing

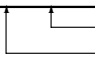
Style	Lead Spacing
E	7.5 mm

※See the column "Rating, Dimensions & Quantity Box" for packing quantity.

■ Rating & Dimensions

● Rated voltage : 250 VDC (150 Vrms, 250 Vo-p) Cap. tolerance : ±3 %(H), ±5 %(J)

Part No.	Cap. (μ F)	Dimensions (mm)							Quantity
		L _{max}	T _{max}	H _{max}		F		S	Ammo 7.5 mm
				Straight	Crimped lead	Straight	Crimped lead	ϕ d	
ECWF2683□S()	0.068	15.5	6.0	12.5	17.5	12.5	7.5	0.80	500
ECWF2753□S()	0.075	15.5	6.0	13.0	18.0	12.5	7.5	0.80	
ECWF2823□S()	0.082	15.5	6.5	13.0	18.0	12.5	7.5	0.80	
ECWF2913□S()	0.091	15.5	5.5	12.5	17.5	12.5	7.5	0.80	600
ECWF2104□S()	0.10	15.5	6.0	12.5	17.5	12.5	7.5	0.80	500
ECWF2114□S()	0.11	15.5	6.0	13.0	18.0	12.5	7.5	0.80	
ECWF2124□S()	0.12	15.5	6.5	13.0	18.0	12.5	7.5	0.80	
ECWF2134□S()	0.13	15.5	6.5	13.5	18.5	12.5	7.5	0.80	
ECWF2154□S()	0.15	15.5	6.0	12.5	17.5	12.5	7.5	0.80	
ECWF2164□S()	0.16	15.5	6.0	12.5	17.5	12.5	7.5	0.80	
ECWF2184□S()	0.18	15.5	6.0	13.0	18.0	12.5	7.5	0.80	
ECWF2204□S()	0.20	15.5	6.5	13.5	18.5	12.5	7.5	0.80	
ECWF2224□S()	0.22	15.5	6.5	13.5	18.5	12.5	7.5	0.80	
ECWF2244□S()	0.24	15.5	7.0	13.5	18.5	12.5	7.5	0.80	
ECWF2274□S()	0.27	18.0	6.5	13.0	18.0	15.0	10.0	0.80	
ECWF2304□S()	0.30	18.0	6.5	13.5	18.5	15.0	10.0	0.80	
ECWF2334□S()	0.33	18.0	7.0	13.5	18.5	15.0	10.0	0.80	
ECWF2364□S()	0.36	18.0	7.0	14.0	19.0	15.0	10.0	0.80	
ECWF2394□S()	0.39	18.0	7.5	14.0	19.0	15.0	10.0	0.80	
ECWF2434□S()	0.43	18.0	7.5	14.5	19.5	15.0	10.0	0.80	
ECWF2474□S()	0.47	18.0	8.0	15.0	20.0	15.0	10.0	0.80	
ECWF2514□S()	0.51	18.0	8.5	15.0	20.0	15.0	10.0	0.80	
ECWF2564□S()	0.56	18.0	8.5	15.5	20.5	15.0	10.0	0.80	
ECWF2624□S()	0.62	18.0	9.0	16.0	21.0	15.0	10.0	0.80	300
ECWF2684□S()	0.68	18.0	9.5	16.0	21.0	15.0	10.0	0.80	
ECWF2754□S()	0.75	20.0	9.0	16.0	21.0	17.0	12.5	0.80	
ECWF2824□S()	0.82	20.0	9.5	16.0	21.0	17.0	12.5	0.80	
ECWF2914□S()	0.91	20.0	10.0	16.5	21.5	17.0	12.5	0.80	
ECWF2105□S()	1.0	20.0	10.5	17.0	22.0	17.0	12.5	0.80	
ECWF2115□S()	1.1	20.0	11.0	17.5	22.5	17.0	12.5	0.80	
ECWF2125□S()	1.2	20.0	11.0	18.0	23.0	17.0	12.5	0.80	
ECWF2135□S()	1.3	23.0	10.5	17.0	22.0	20.0	12.5	0.80	
ECWF2155□S()	1.5	23.0	11.0	18.0	23.0	20.0	12.5	0.80	
ECWF2165□S()	1.6	23.0	11.5	18.0	23.0	20.0	12.5	0.80	—
ECWF2185□S()	1.8	23.0	12.0	19.5	24.5	20.0	12.5	0.80	
ECWF2205□S()	2.0	23.0	12.5	20.0	25.0	20.0	12.5	0.80	
ECWF2225□S()	2.2	23.0	14.0	20.5	25.5	20.0	12.5	0.80	
ECWF2245□S()	2.4	23.0	14.5	21.0	26.0	20.0	12.5	0.80	
ECWF2275□S()	2.7	28.0	12.5	20.0	25.0	25.0	15.0	0.80	
ECWF2305□S()	3.0	28.0	14.0	20.5	25.5	25.0	15.0	0.80	
ECWF2335□S()	3.3	28.0	14.5	21.5	26.5	25.0	15.0	0.80	


 Suffix for lead crimped
 Cap. tol. code