

IEEE 1394B Firewire / iLink Protection

Solution Products



MF-SM150/33-2



CG0603MLU-05E

Objective

IEEE 1394B is an 800 Mb serial data port with 30 V, 1.5 A capability. IEEE 1394B requires short circuit and overvoltage protection. This solution addresses challenges such as hot-swap, ESD, user abuse and damaged cables.

Solution

- 1 Multifuse[®] PPTC Resettable Fuse:
MF-SM150/33-2
- 4 ChipGuard[®] ESD Suppressors:
CG0603MLU-05E

Compliance

- IEEE 1394B (2002)
- IEC61000-4-2 Level 4

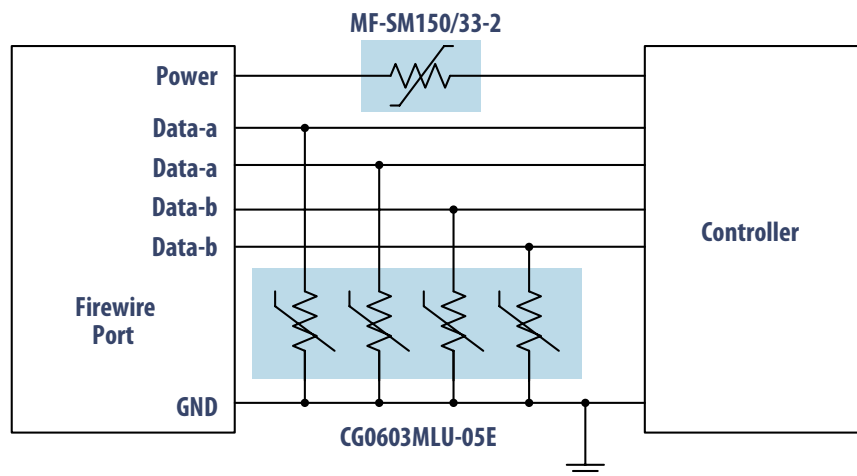
Alternate Recommendations

Smaller footprint for <45 watt applications:

- MF-SMDF050-2
- CDSOT236-0504C

Benefit

This solution provides ESD protection as well as overtemperature and overcurrent protection for the controller port within rated limits.



The schematic above illustrates the application protection and does not constitute the complete circuit design. Customers should verify actual device performance in their specific applications.

Design Kit



PN-DESIGNKIT-25